



US00D776976S

(12) **United States Design Patent**
Shin et al.

(10) **Patent No.:** **US D776,976 S**
(45) **Date of Patent:** **** Jan. 24, 2017**

- (54) **ATTACHMENT PORTION FOR A BEVERAGE TAP HANDLE**
- (71) Applicant: **TAPHANGLES, Inc.**, Seattle, WA (US)
- (72) Inventors: **Sang Hoon Shin**, Seattle, WA (US);
Julian Power, Seattle, WA (US); **Fatch Chapeyama**, Seattle, WA (US); **Marcus Alan Latham**, Seattle, WA (US)
- (73) Assignee: **TAPHANGLES LLC**, Seattle, WA (US)
- (**) Term: **14 Years**
- (21) Appl. No.: **29/519,664**
- (22) Filed: **Mar. 6, 2015**
- (51) **LOC (10) Cl.** **07-01**
- (52) **U.S. Cl.**
USPC **D7/398; D7/397; D7/395**
- (58) **Field of Classification Search**
USPC D7/393, 395, 398, 397, 307, 308, 313;
D21/672; D8/107, 307; 428/82
CPC A63B 5/20; B25F 1/02; B25F 5/02
See application file for complete search history.

(56) **References Cited**

U.S. PATENT DOCUMENTS

- D182,002 S * 1/1958 Reincke D13/112
- D424,167 S * 5/2000 Yuen D23/233
- 6,113,520 A * 9/2000 Greiner A63B 5/20
401/6
- D612,203 S * 3/2010 Bollin D7/397

- 8,075,455 B2 * 12/2011 Gamboa A63B 5/20
482/109
- D694,055 S * 11/2013 Hirst D7/306
- D696,547 S * 12/2013 Absalon D7/301
- D699,512 S * 2/2014 Stellmach D7/398
- 8,684,892 B1 * 4/2014 Ihli A63B 5/20
482/81
- D713,199 S * 9/2014 Hannan D7/393
- D757,490 S * 5/2016 Keuhner D7/397

* cited by examiner

Primary Examiner — Marianne Pandozzi

(74) *Attorney, Agent, or Firm* — K&L Gates LLP

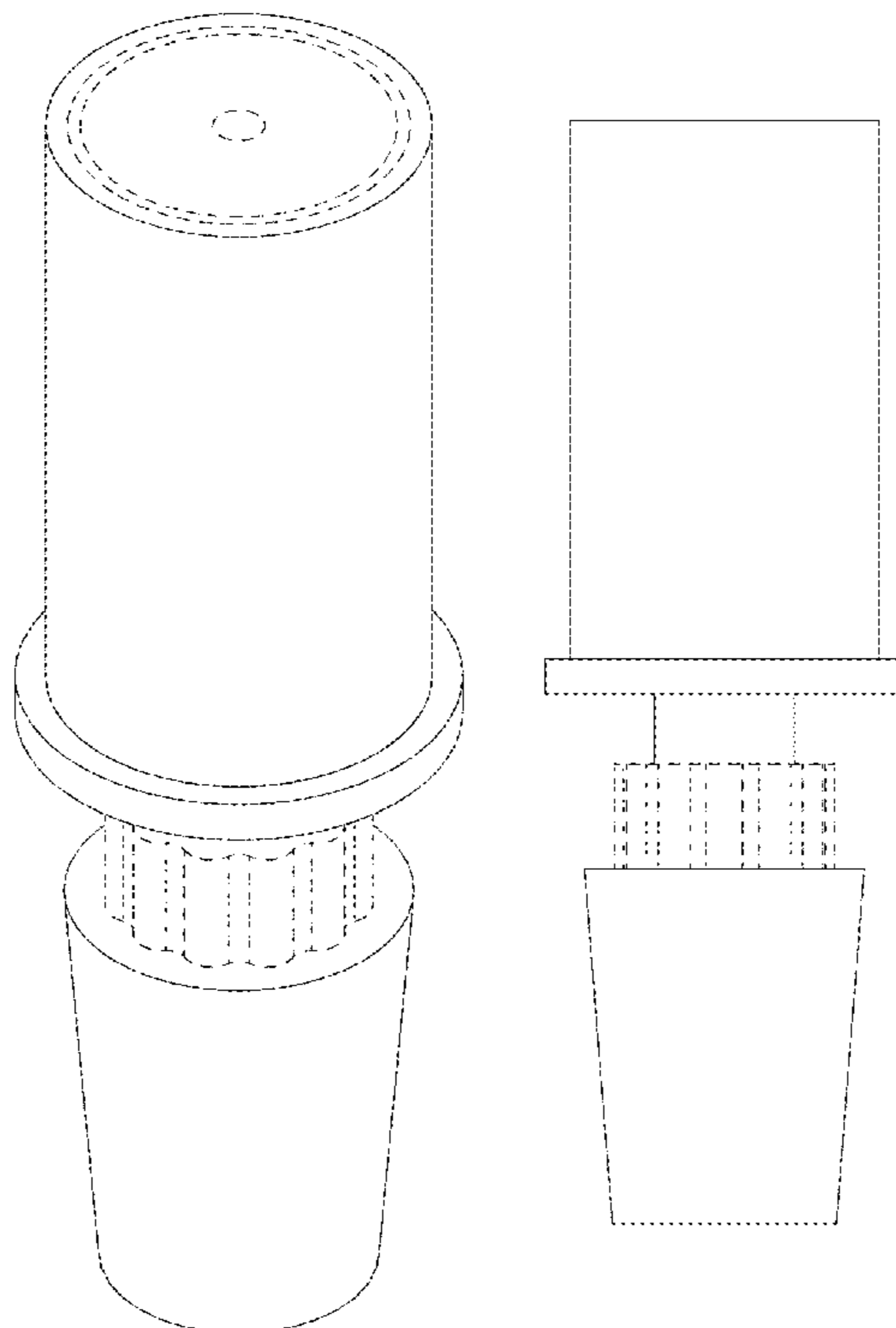
(57) **CLAIM**

The ornamental design for an attachment portion for a beverage tap handle, as shown and described.

DESCRIPTION

FIG. 1 is a perspective view of an attachment portion for a beverage tap handle showing our new design;
 FIG. 2 is a front view thereof;
 FIG. 3 is a rear view thereof;
 FIG. 4 is a right side view thereof;
 FIG. 5 is a left side view thereof;
 FIG. 6 is a top plan view thereof; and,
 FIG. 7 is a bottom plan view thereof.
 The broken lines in the drawing depict portions of the attachment portion for a beverage tap handle that form no part of the claimed design.

1 Claim, 4 Drawing Sheets



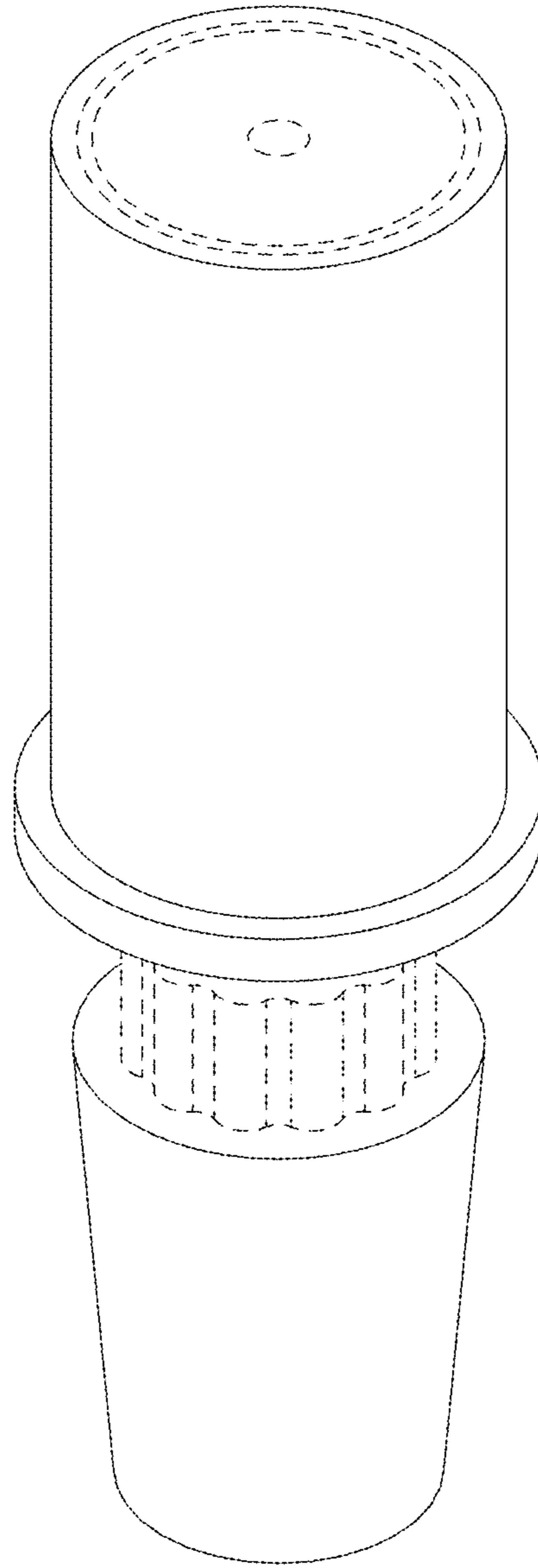


FIG. 1

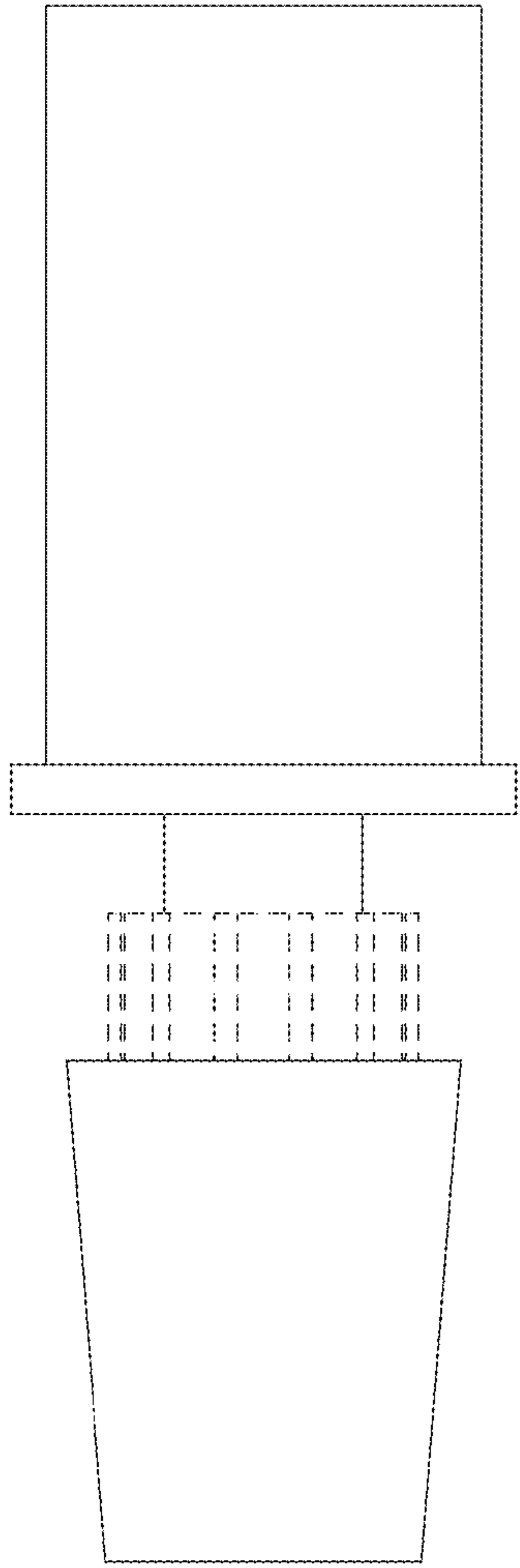


FIG. 2

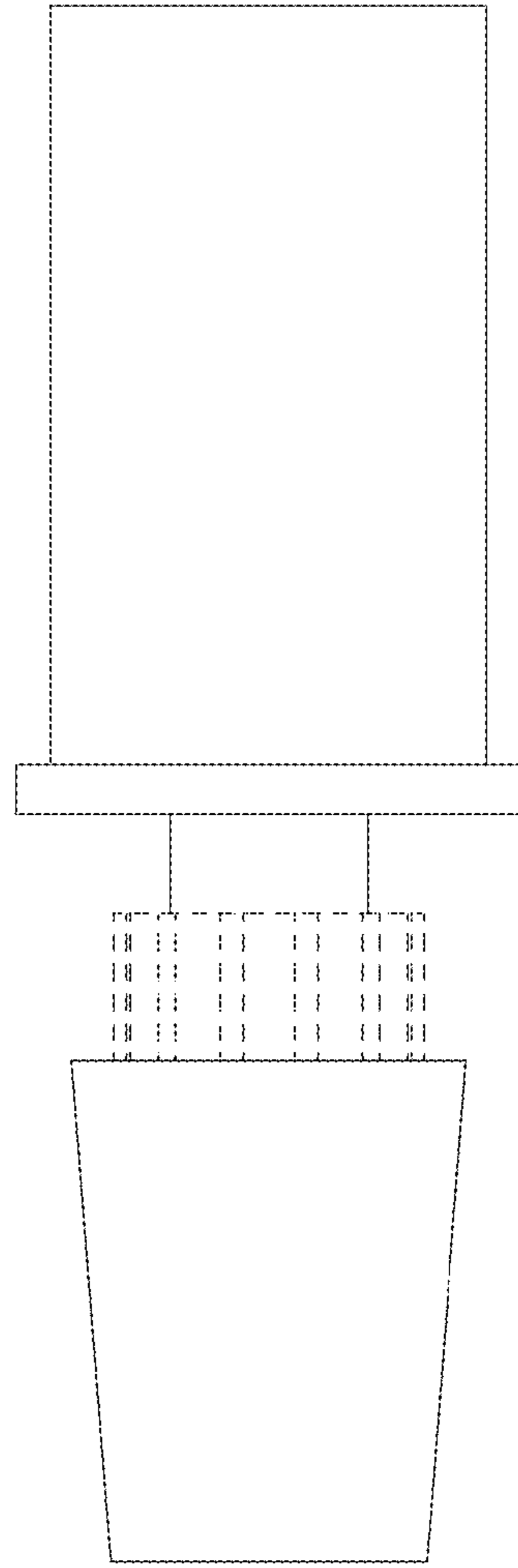


FIG. 3

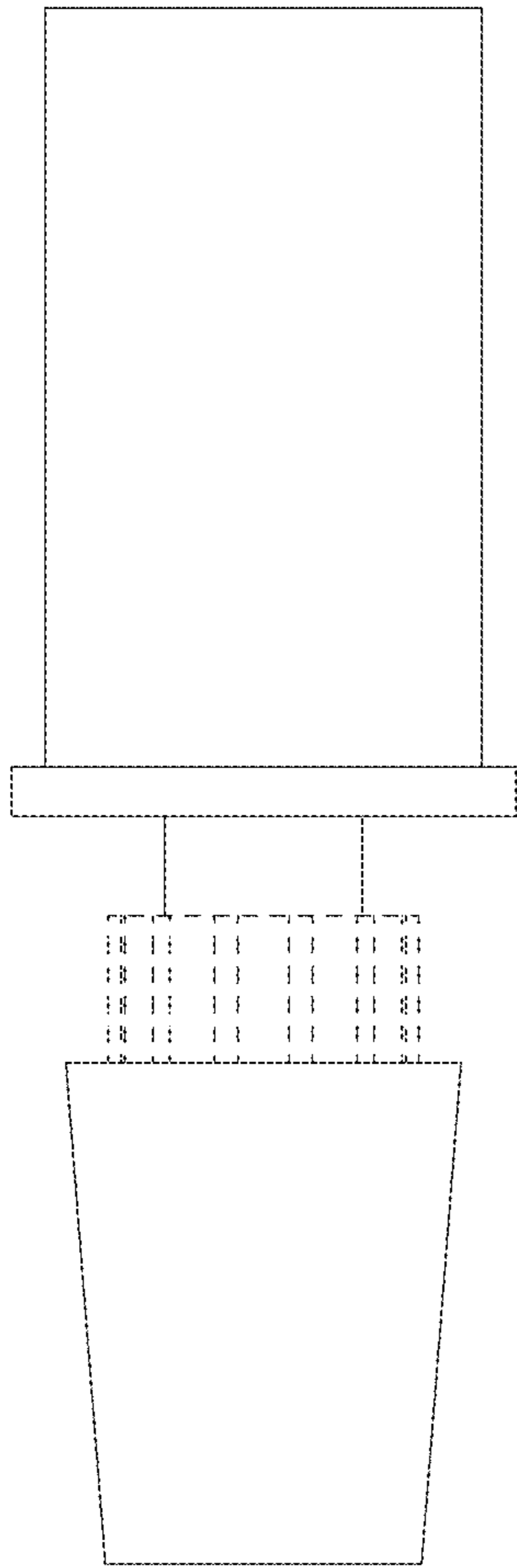


FIG. 4

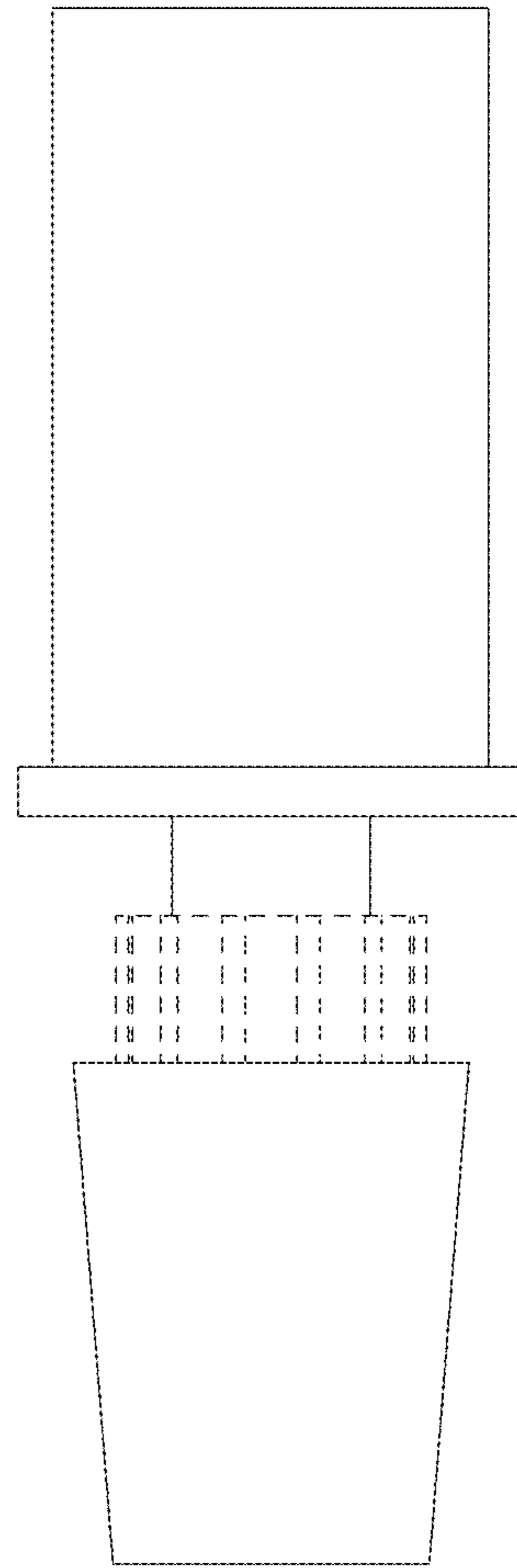


FIG. 5

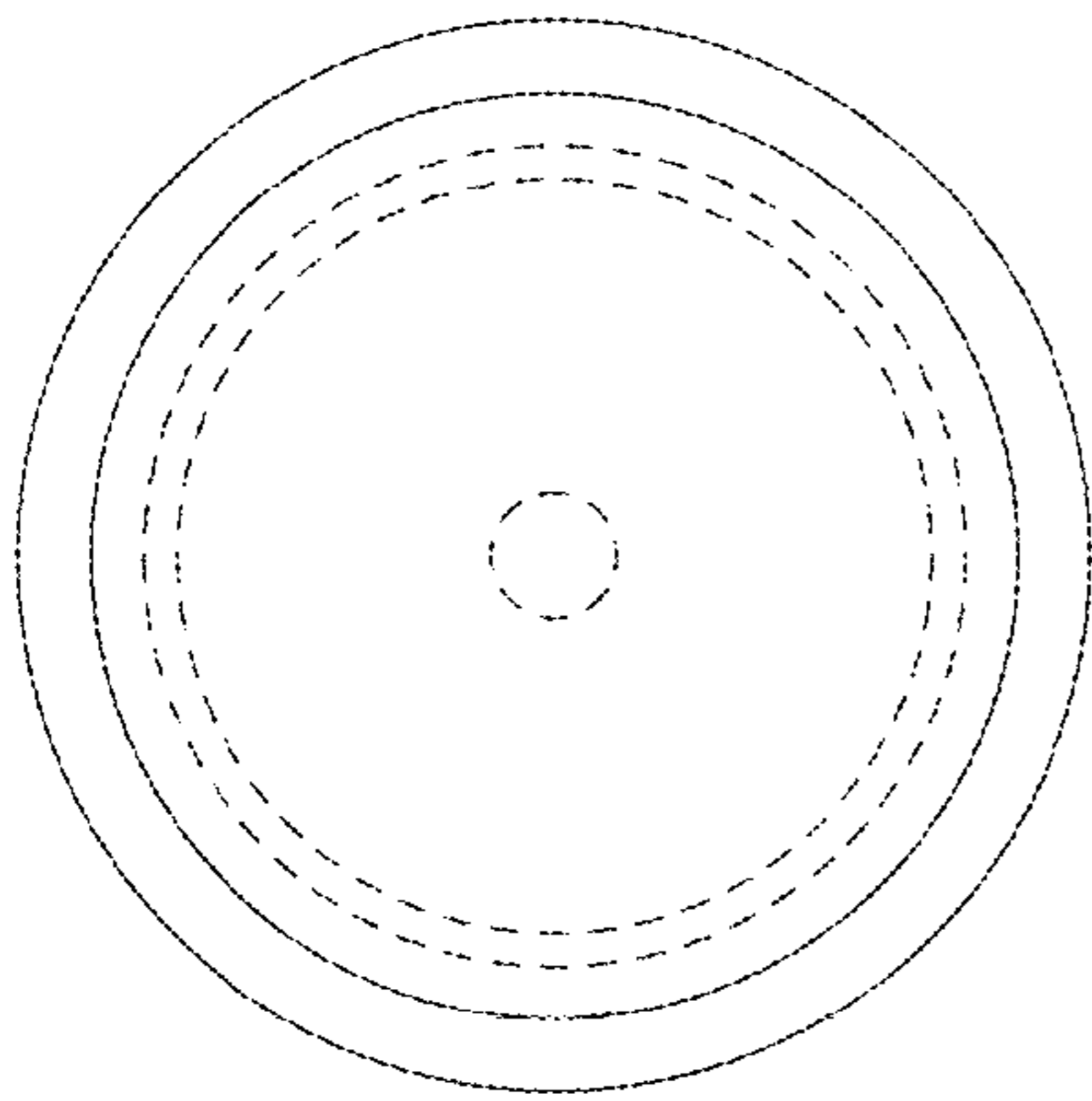


FIG. 6

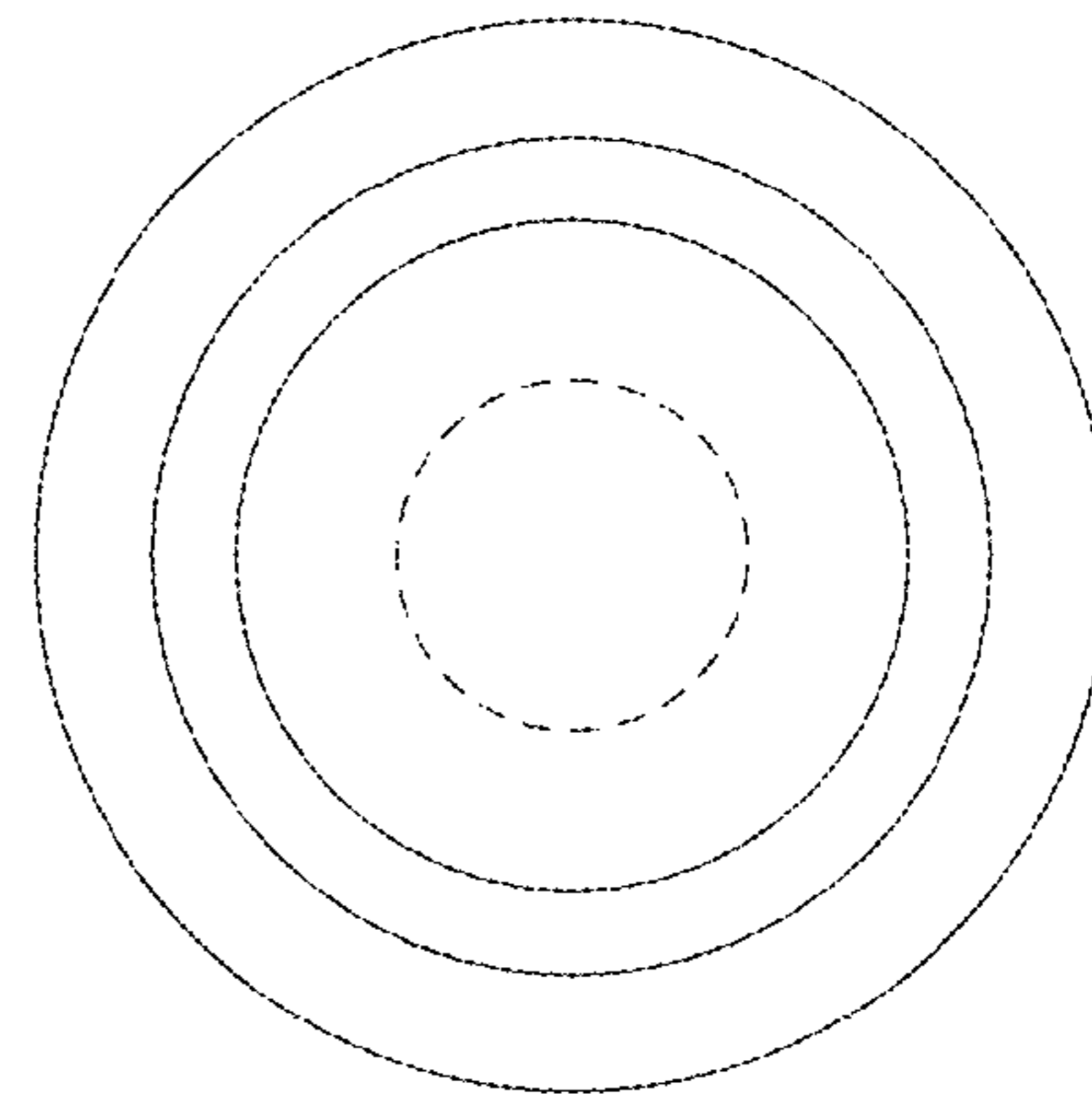


FIG. 7