



US00D776975S

(12) **United States Design Patent**  
**Ryan et al.**

(10) **Patent No.:** **US D776,975 S**  
(45) **Date of Patent:** **\*\* Jan. 24, 2017**

(54) **HANDLE**

(71) Applicants: **Delvin Ryan**, Barrington Hills, IL (US);  
**Lorenzo Porcelli**, Tarry Town, NY  
(US)

(72) Inventors: **Delvin Ryan**, Barrington Hills, IL (US);  
**Lorenzo Porcelli**, Tarry Town, NY  
(US)

(73) Assignee: **Columbian Home Products, LLC**,  
North Barrington, IL (US)

(\*\*) Term: **15 Years**

(21) Appl. No.: **29/535,146**

(22) Filed: **Aug. 4, 2015**

(51) **LOC (10) Cl.** ..... **07-02**

(52) **U.S. Cl.**  
USPC ..... **D7/395**

(58) **Field of Classification Search**

USPC D7/354-361, 393-395, 401.2, 664; D8/107,  
D8/300, 303, 307, 313, 321; D4/138,  
D4/129

CPC ..... A47J 45/06; A47J 45/061; A47J 45/62;  
A47J 45/08; A47J 45/085; A47J 45/071;  
A47J 45/072; B65D 25/2802; B65D  
25/2882; B65D 25/2885; B65D 25/2888;  
B65D 25/2894; Y10S 220/912

See application file for complete search history.

(56) **References Cited**

U.S. PATENT DOCUMENTS

D440,463	S	*	4/2001	Groll	.....	D7/395
D477,966	S	*	8/2003	Burton	.....	D7/395
D477,967	S	*	8/2003	Burton	.....	D7/395
D644,486	S	*	9/2011	Groll	.....	D7/395
D682,022	S	*	5/2013	Rae	.....	D7/395
D693,636	S	*	11/2013	Sweet	.....	D7/395
D693,638	S	*	11/2013	Sweet	.....	D7/395
D704,505	S	*	5/2014	Clabots	.....	D7/395
D705,003	S	*	5/2014	Rae	.....	D7/395
D730,113	S	*	5/2015	Barberi	.....	D7/395
D730,114	S	*	5/2015	Barberi	.....	D7/395
D740,604	S	*	10/2015	Barberi	.....	D7/395

\* cited by examiner

*Primary Examiner* — Cynthia M Chin

(74) *Attorney, Agent, or Firm* — Seyfarth Shaw LLP

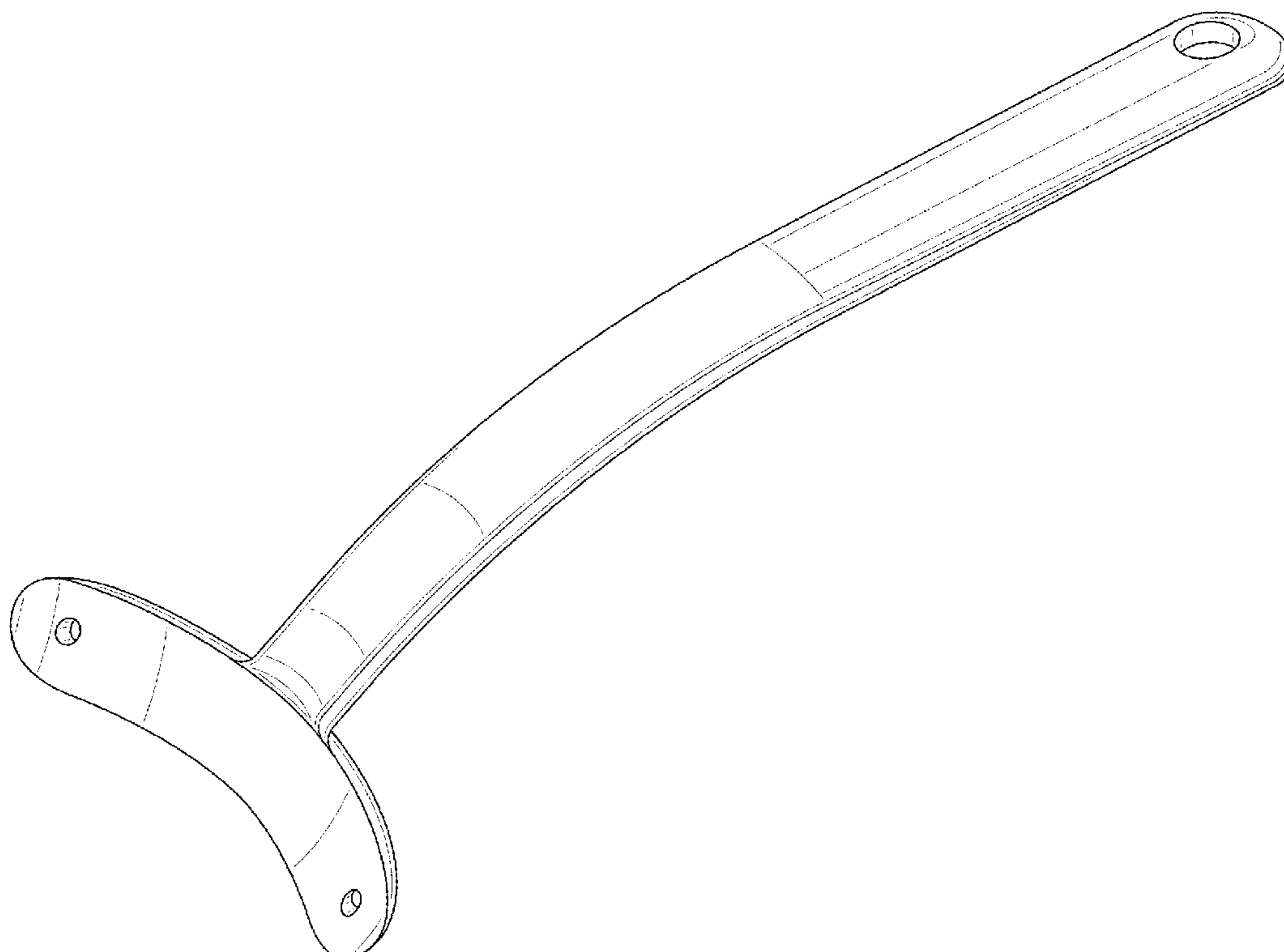
(57) **CLAIM**

The ornamental design for a handle, as shown and described.

**DESCRIPTION**

FIG. 1 is a front perspective view of a handle;  
FIG. 2 is a front view thereof;  
FIG. 3 is a rear view thereof;  
FIG. 4 is a left-side view thereof;  
FIG. 5 is a right-side thereof;  
FIG. 6 is a top view thereof; and,  
FIG. 7 is a bottom view thereof.

**1 Claim, 7 Drawing Sheets**



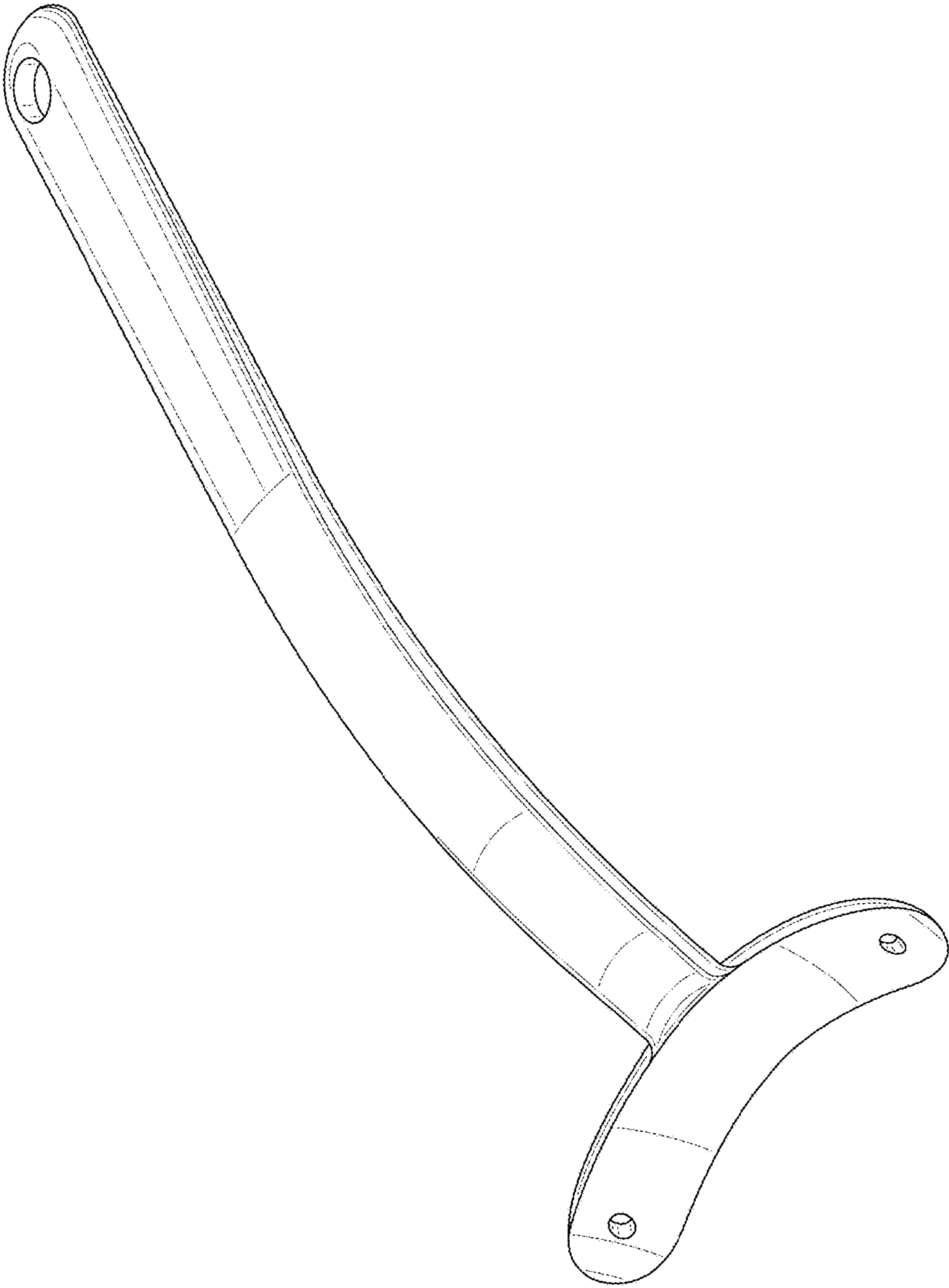


FIG. 1

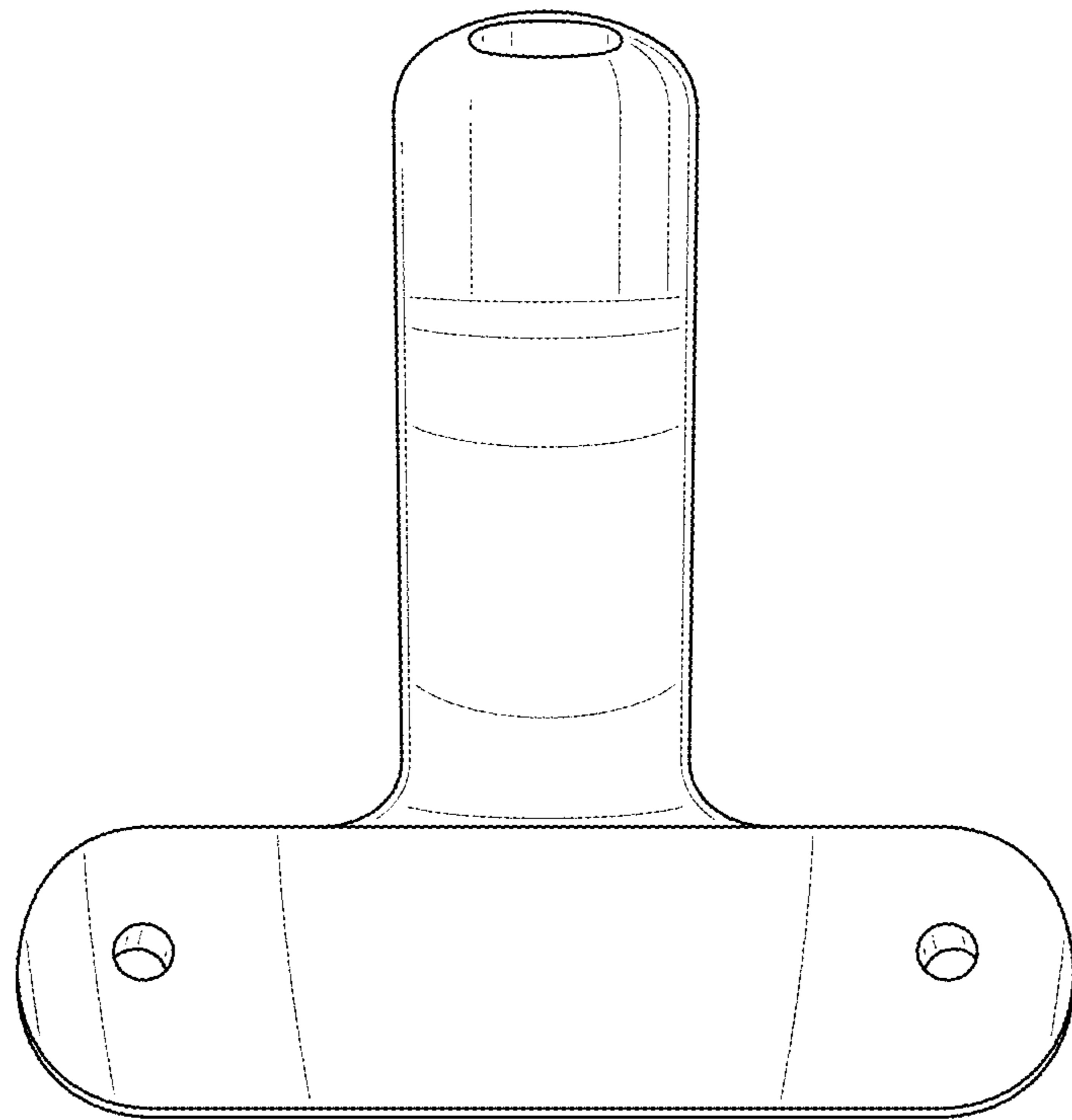


FIG. 2

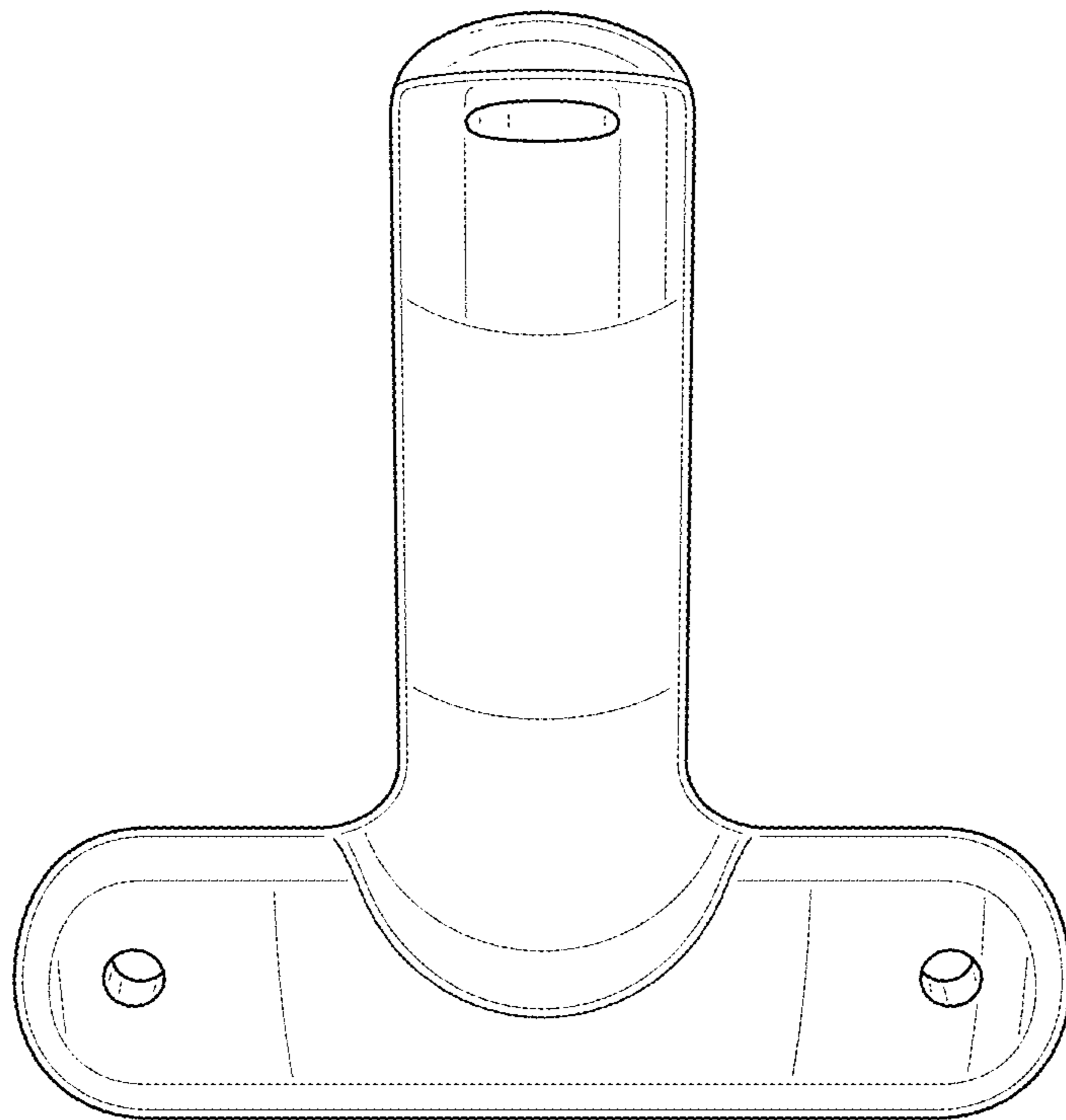


FIG. 3

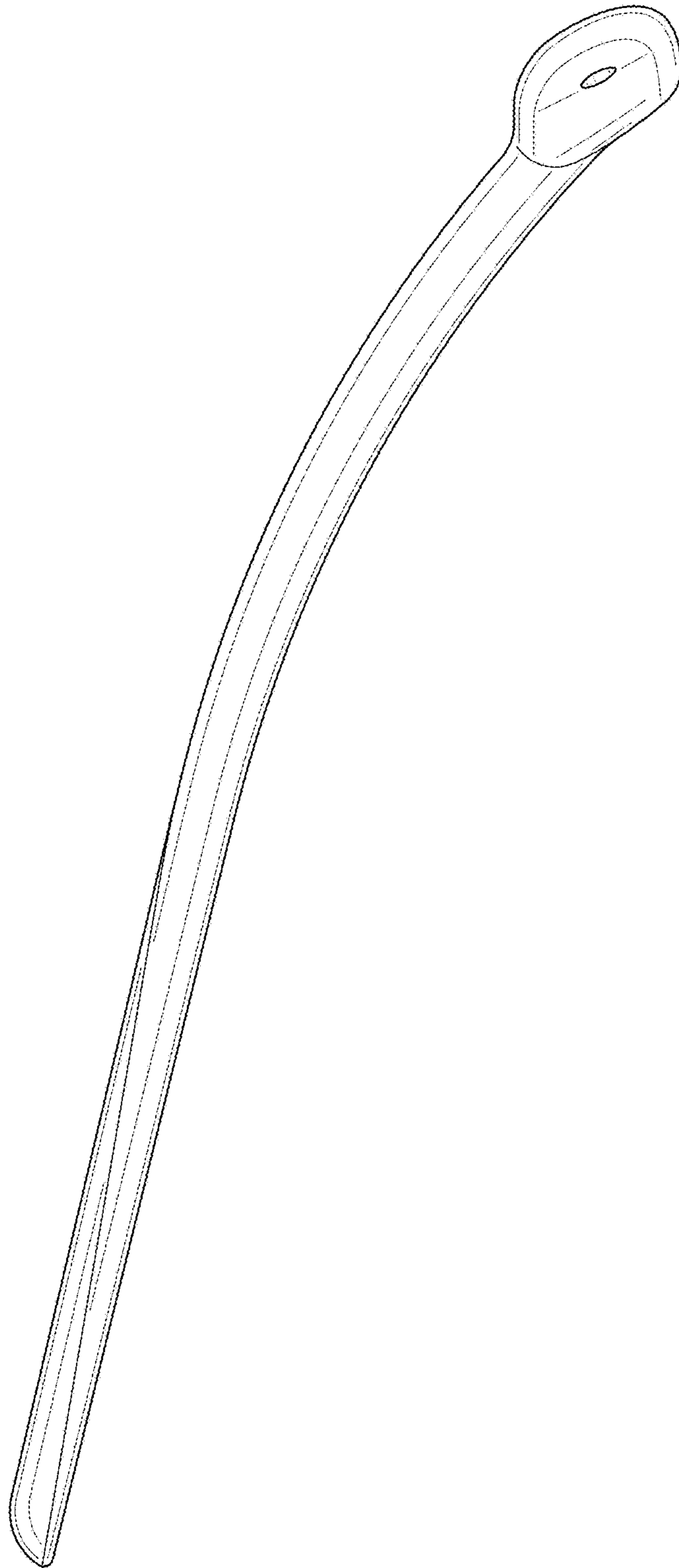


FIG. 4

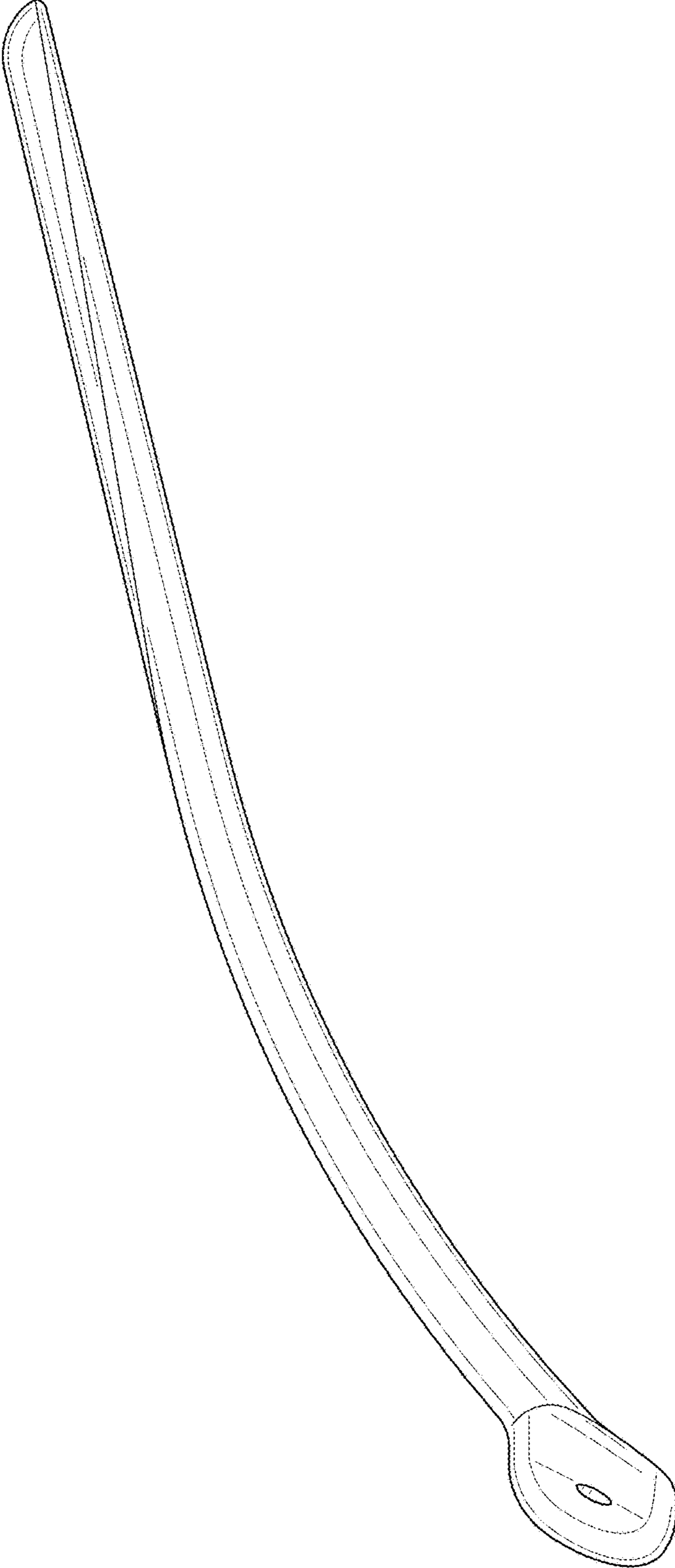


FIG. 5

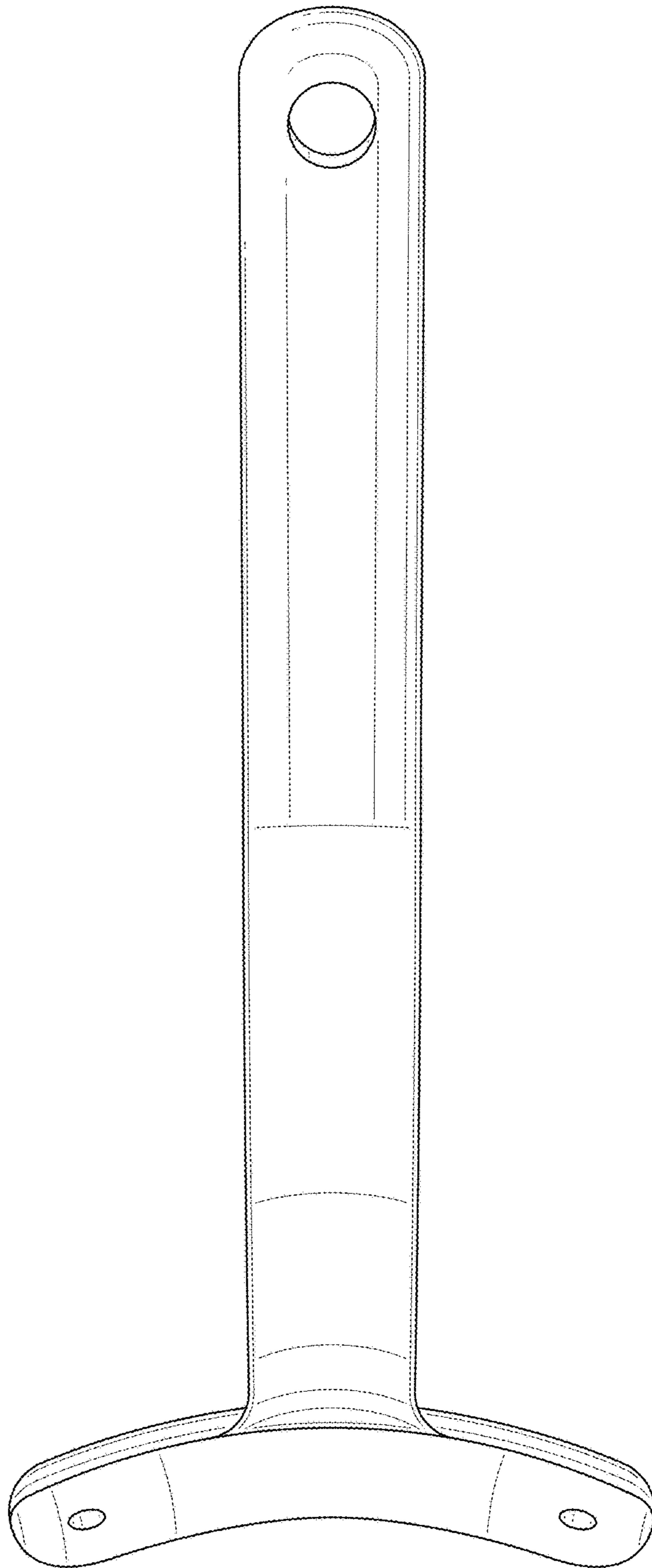


FIG. 6

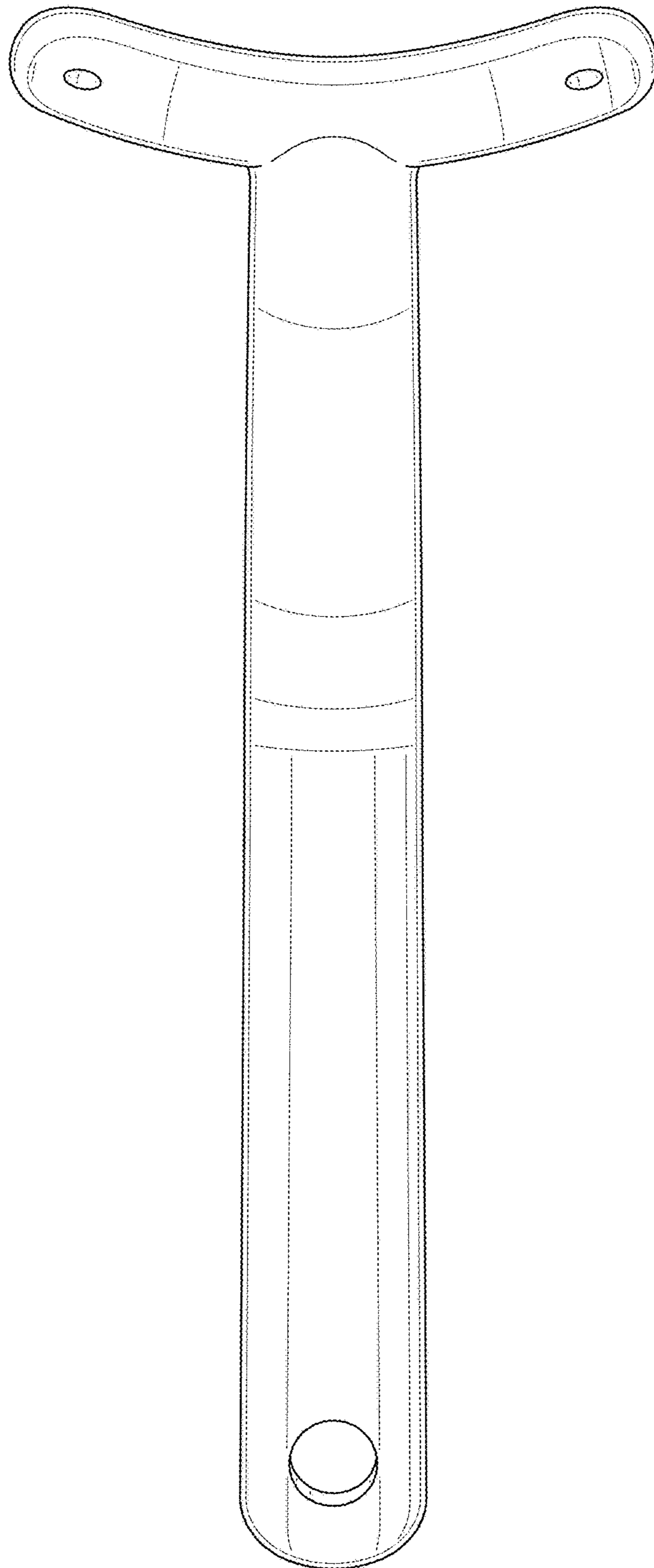


FIG. 7