



US00D776974S

(12) **United States Design Patent**
Kalmanides

(10) **Patent No.:** **US D776,974 S**
(45) **Date of Patent:** **** Jan. 24, 2017**

(54) **CONTAINER**

(71) Applicant: **SABERT CORPORATION**,
Sayreville, NJ (US)

(72) Inventor: **Danny Kalmanides**, Chapel Hill, NC
(US)

(73) Assignee: **SABERT CORPORATION**,
Sayreville, NJ (US)

(**) Term: **15 Years**

(21) Appl. No.: **29/529,169**

(22) Filed: **Jun. 4, 2015**

(51) **LOC (10) Cl.** **07-02**

(52) **U.S. Cl.**
USPC **D7/391**

(58) **Field of Classification Search**
USPC D7/391, 392, 392.1, 393, 397,
D7/601–602,629–630, 538–542; D9/414,
D9/424–432, 435, 438, 451–452
CPC A47J 36/027; A47J 36/06; A47J 37/10;
A47J 37/101; B65D 1/22; B65D 21/0209;
B65D 21/0219; B65D 21/0222; B65D
43/00; B65D 43/02; B65D
43/0206; B65D 43/0212; B65D 43/0218;
B65D 43/0249; B65D 43/0254; B65D
43/021; B65D 43/022; B65D
43/161; B65D 43/162; B65D 45/00; B65D
45/16; B65D 45/18; B65D 51/16; B65D
51/1683; B65D 51/1688; B65D 51/1694;
B65D 53/02; B65D 2251/00; B65F
1/1615

See application file for complete search history.

(56) **References Cited**

U.S. PATENT DOCUMENTS

2,915,214 A 12/1959 Frankel
D313,754 S * 1/1991 Pomroy D9/435
5,507,406 A 4/1996 Urciuoli et al.

D481,910 S * 11/2003 Kim D7/629
6,793,096 B1 * 9/2004 Seok B65D 43/0218
220/326
6,926,165 B2 8/2005 Conti
D523,296 S * 6/2006 Kim D7/629
7,073,680 B2 7/2006 Boback et al.
(Continued)

FOREIGN PATENT DOCUMENTS

DE 7816353 11/1978

Primary Examiner — Ricky Pham

(74) *Attorney, Agent, or Firm* — Cozen O'Connor

(57) **CLAIM**

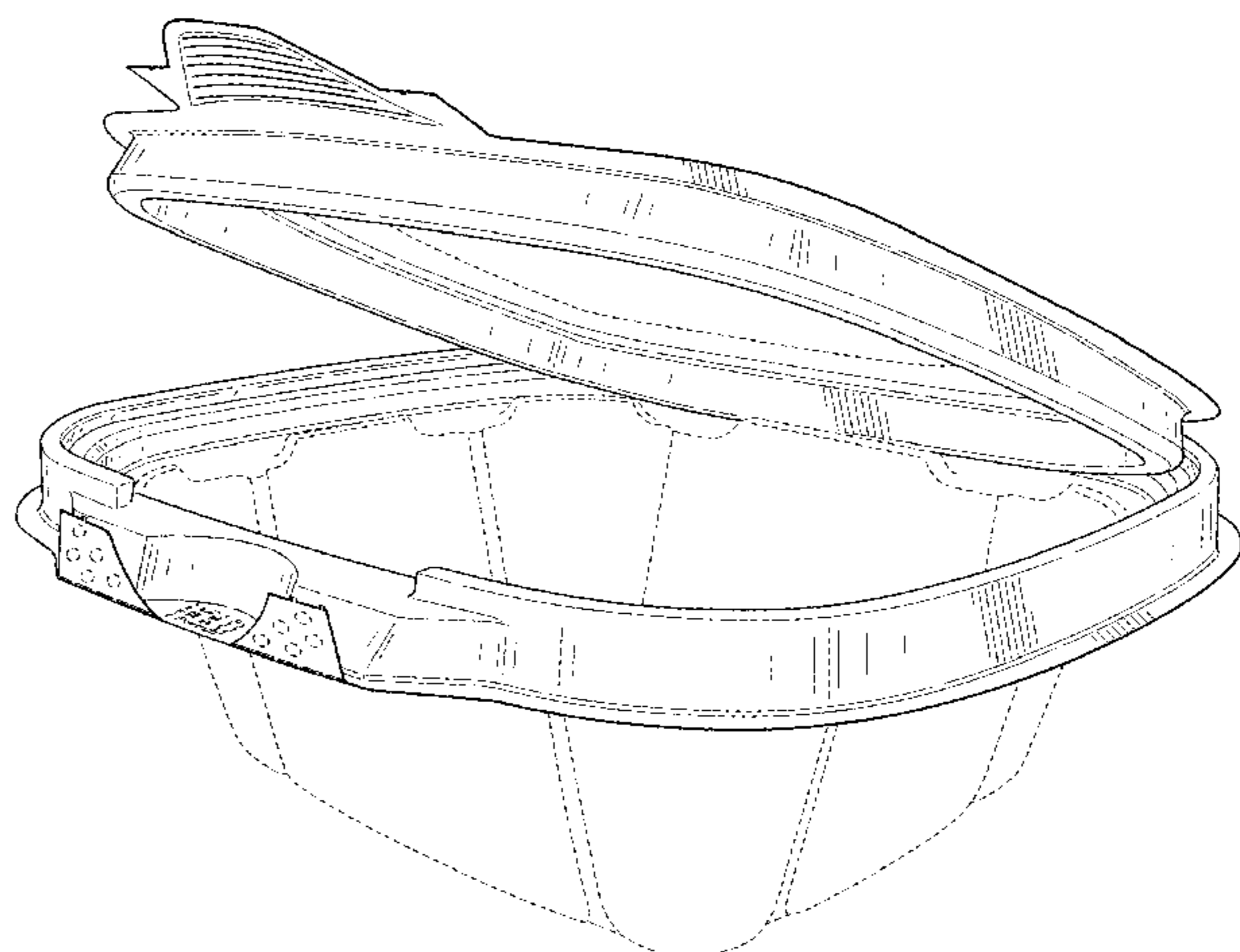
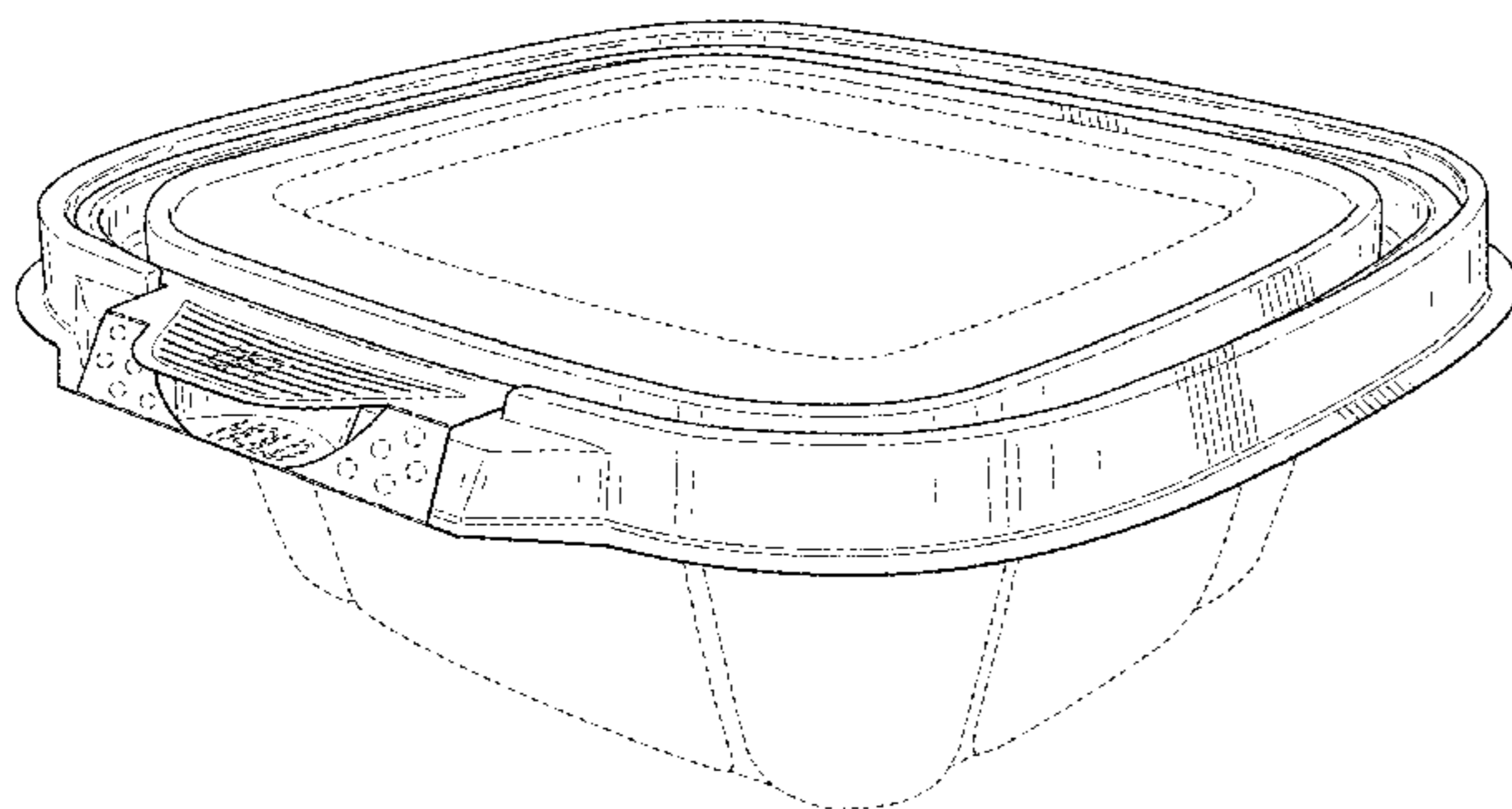
The ornamental design for a container, as shown and described.

DESCRIPTION

FIG. 1 is a perspective view of a container showing a new design;
FIG. 2 is a left side elevation view thereof, the right side being a mirror image;
FIG. 3 is a front elevation view thereof;
FIG. 4 is a rear elevation view thereof;
FIG. 5 is a top plan view thereof;
FIG. 6 is a bottom plan view thereof;
FIG. 7 is another perspective view of the container showing the container in an alternate configuration;
FIG. 8 is another perspective view of the container showing the container in an alternate partially opened configuration; and
FIG. 9 is a close up perspective view of the container's closure mechanism in a sealed configuration; and,
FIG. 10 is another close up perspective view of the container's closure mechanism in an alternate un-sealed configuration.

The dashed lines shown in the drawings are for environmental purposes only and form no part of the claimed design.

1 Claim, 10 Drawing Sheets



(56)

References Cited

U.S. PATENT DOCUMENTS

7,097,067 B2 *	8/2006	Scarabelli	B65D 1/22 220/231	9,016,503 B2 *	4/2015	Barbier	B65D 43/162 220/266
7,118,003 B2	10/2006	Sellari et al.		D733,503 S *	7/2015	Bagley	D7/629
D588,914 S *	3/2009	Laurieu-Tedeschi	D9/435	D746,678 S *	1/2016	Blackmore	D9/438
7,568,589 B2	8/2009	Vovan		D750,423 S *	3/2016	Shirley	D7/391
D610,879 S *	3/2010	Kim	D7/629	9,278,786 B2 *	3/2016	Vovan	B65D 43/0254
D615,821 S *	5/2010	Stamper	D7/538	2006/0289549 A1 *	12/2006	Vovan	B65D 43/021 220/791
7,712,626 B2	5/2010	Vovan		2007/0012710 A1 *	1/2007	Vovan	B65D 43/162 220/793
7,938,286 B2 *	5/2011	Vogel	B65D 21/0222 220/270	2007/0045317 A1 *	3/2007	Rosender	B65D 43/0249 220/266
7,992,743 B2	8/2011	Vovan		2009/0057313 A1 *	3/2009	Alvares	B65D 21/0219 220/254.1
8,251,249 B1	8/2012	Vovan		2009/0206082 A1 *	8/2009	Vovan	B65D 43/0249 220/266
D675,057 S *	1/2013	Harvey	D7/391	2010/0051620 A1 *	3/2010	Parikh	B65D 43/021 220/270
8,608,008 B2	12/2013	Gingras et al.		2010/0102074 A1 *	4/2010	Parikh	B65D 43/0254 220/810
8,714,394 B2 *	5/2014	Wulf	B65D 43/0212 220/318	2013/0043247 A1	2/2013	Nikaein	
8,733,550 B2 *	5/2014	Harvey	B65D 53/02 206/508	2014/0300034 A1	10/2014	Sellari et al.	
8,807,385 B1 *	8/2014	Fosse	B65D 43/162 220/270				
D718,983 S *	12/2014	Yessin	D7/629				

* cited by examiner

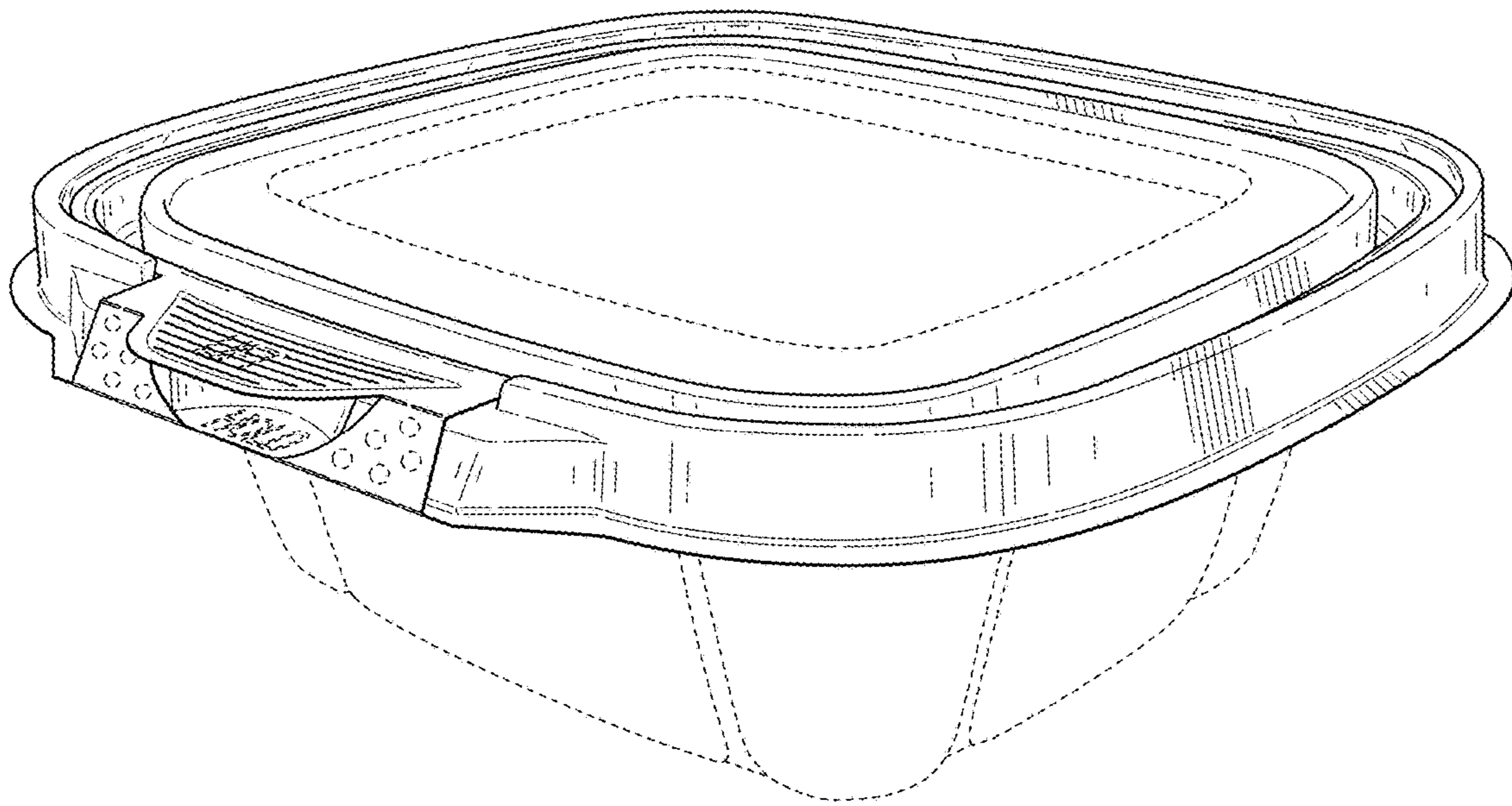


FIG. 1

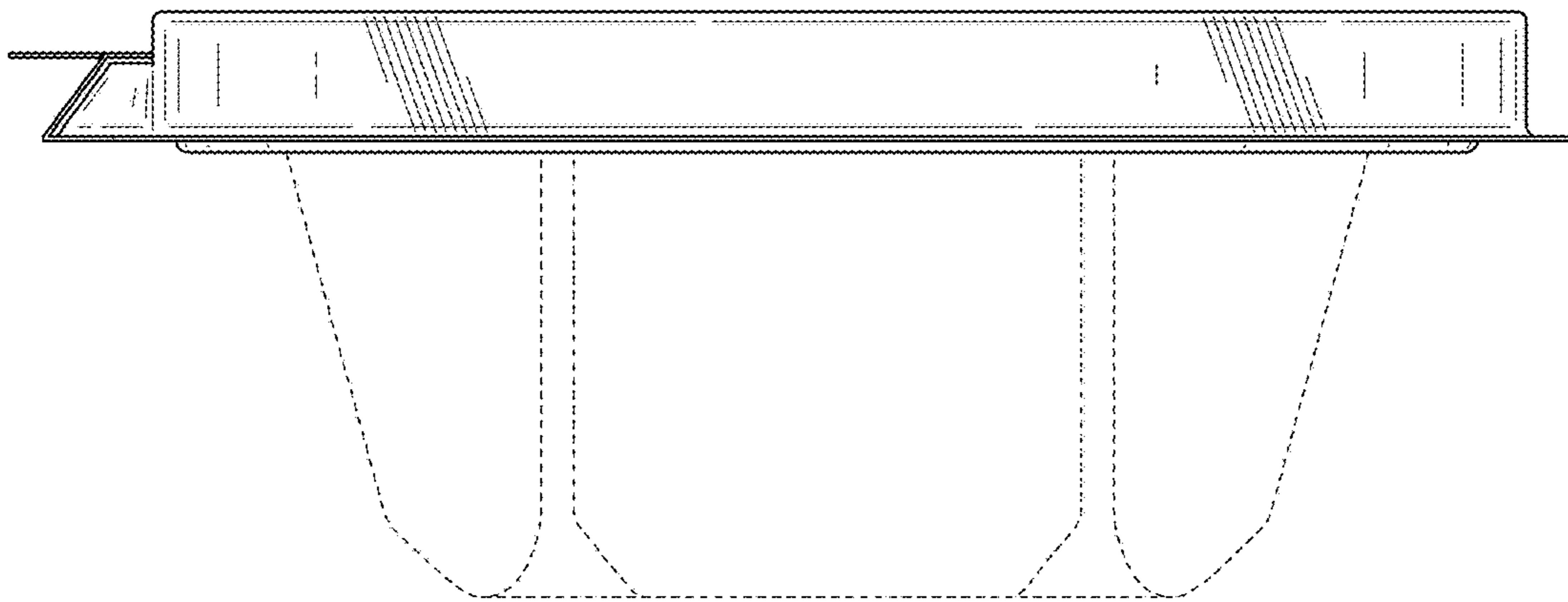


FIG. 2

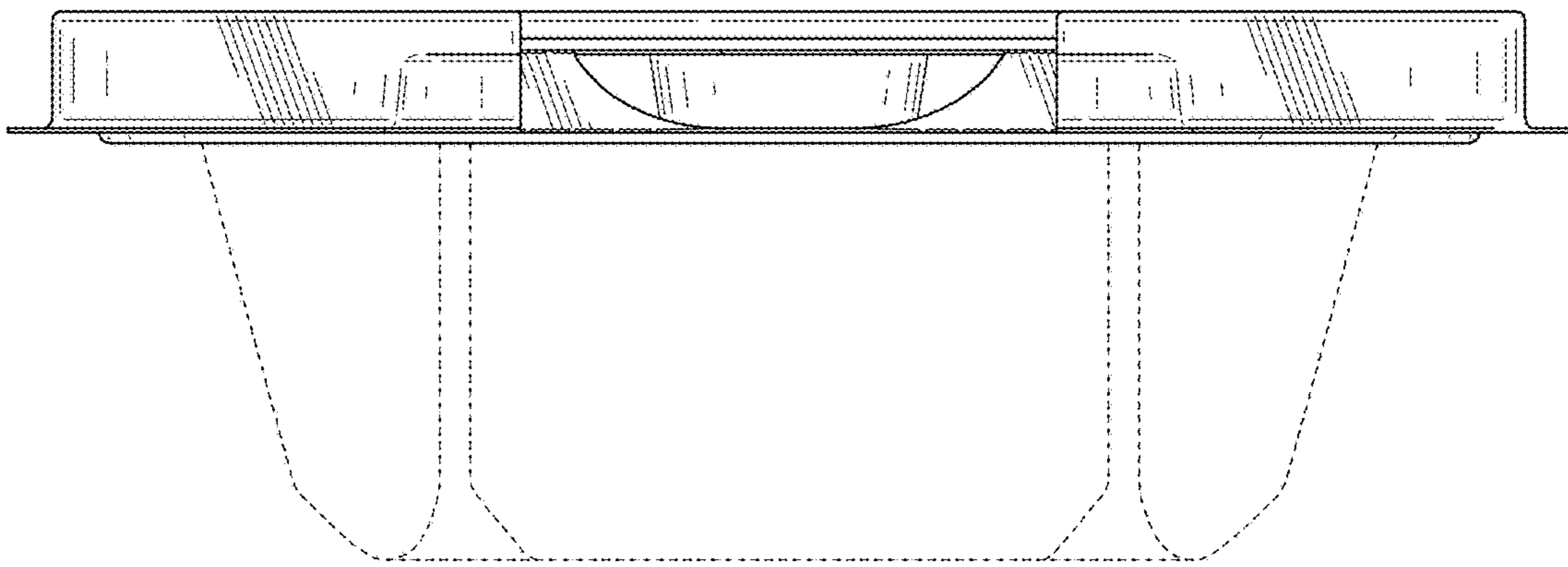


FIG. 3

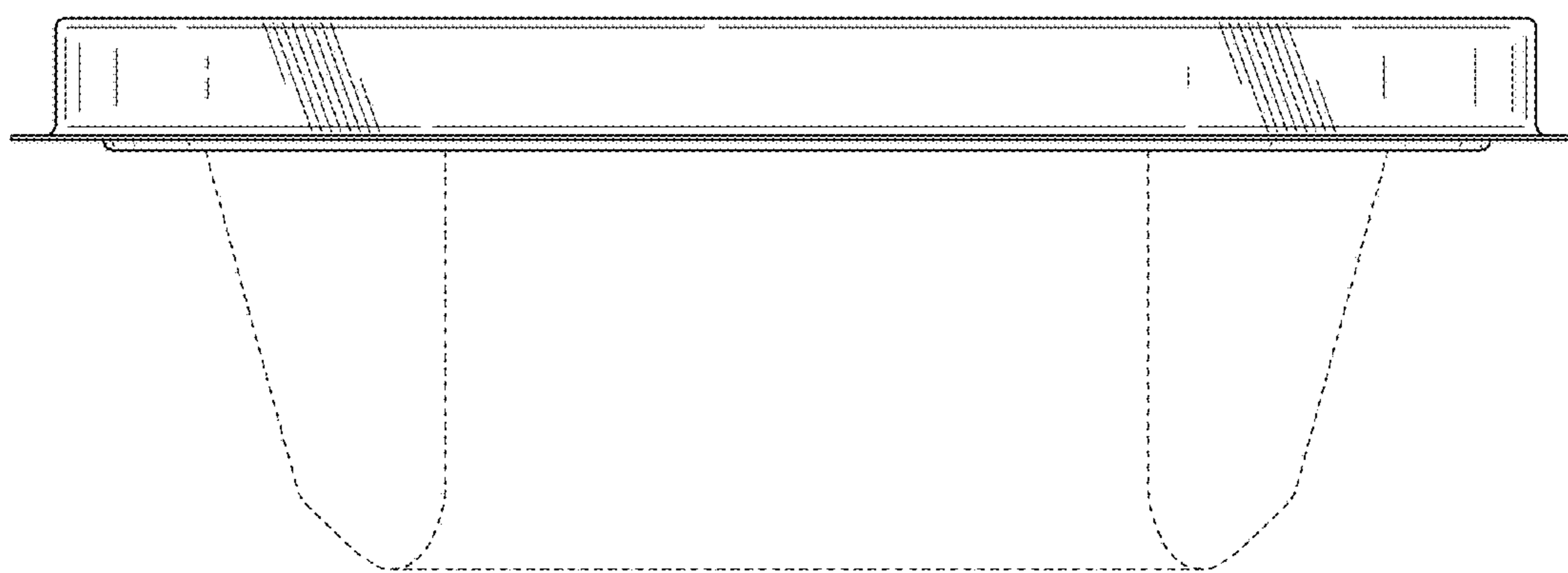


FIG. 4

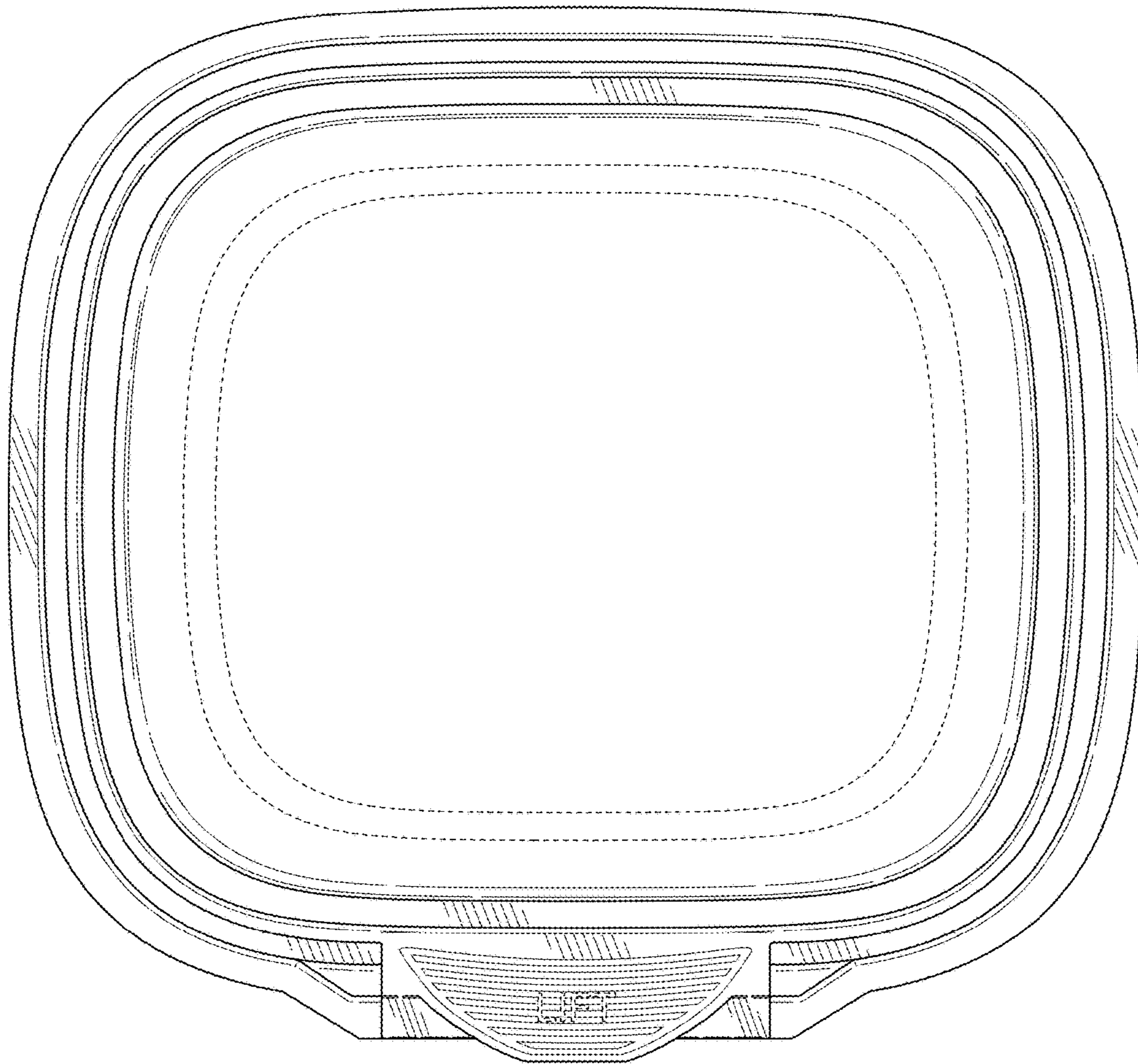


FIG. 5

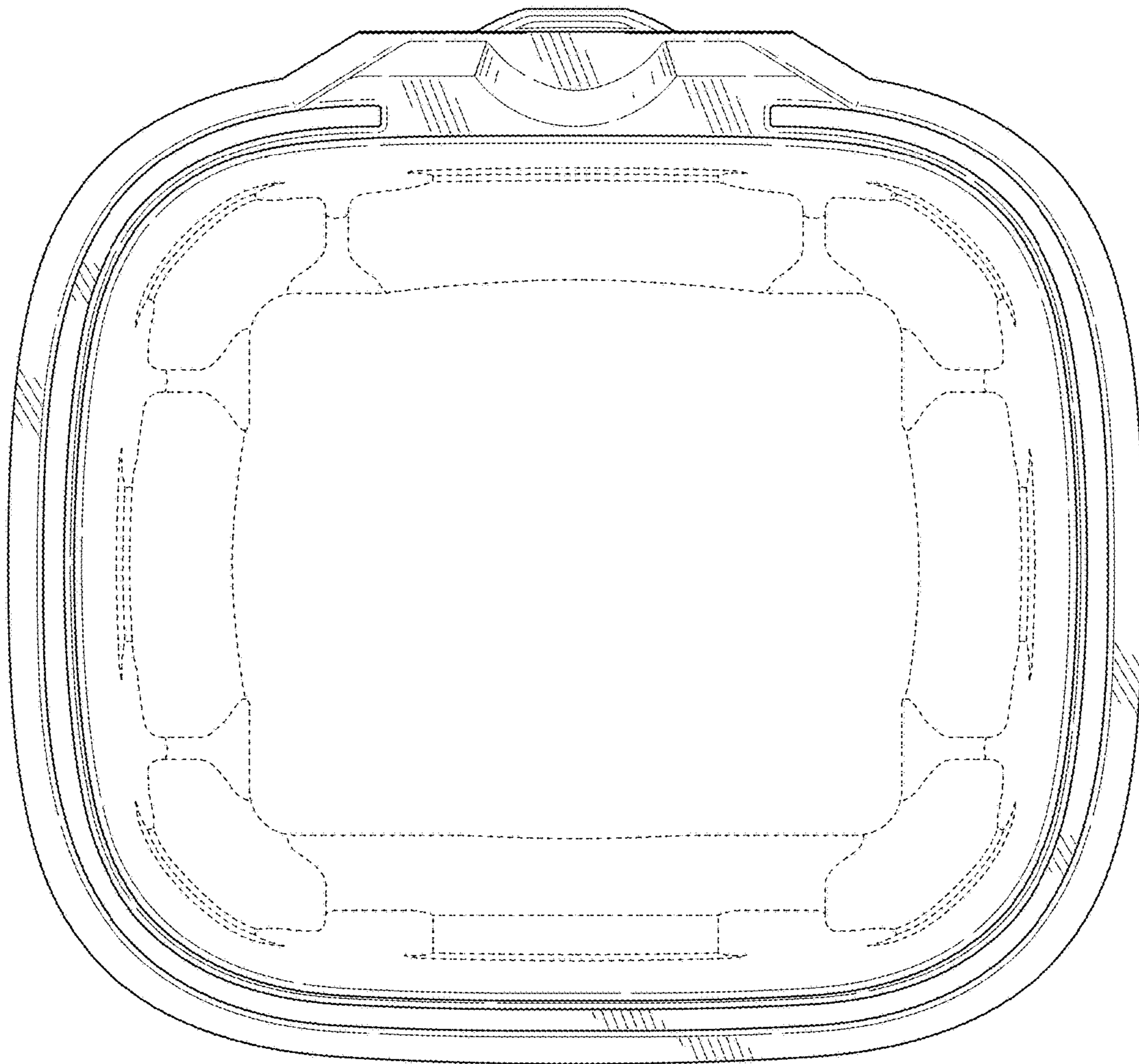


FIG. 6

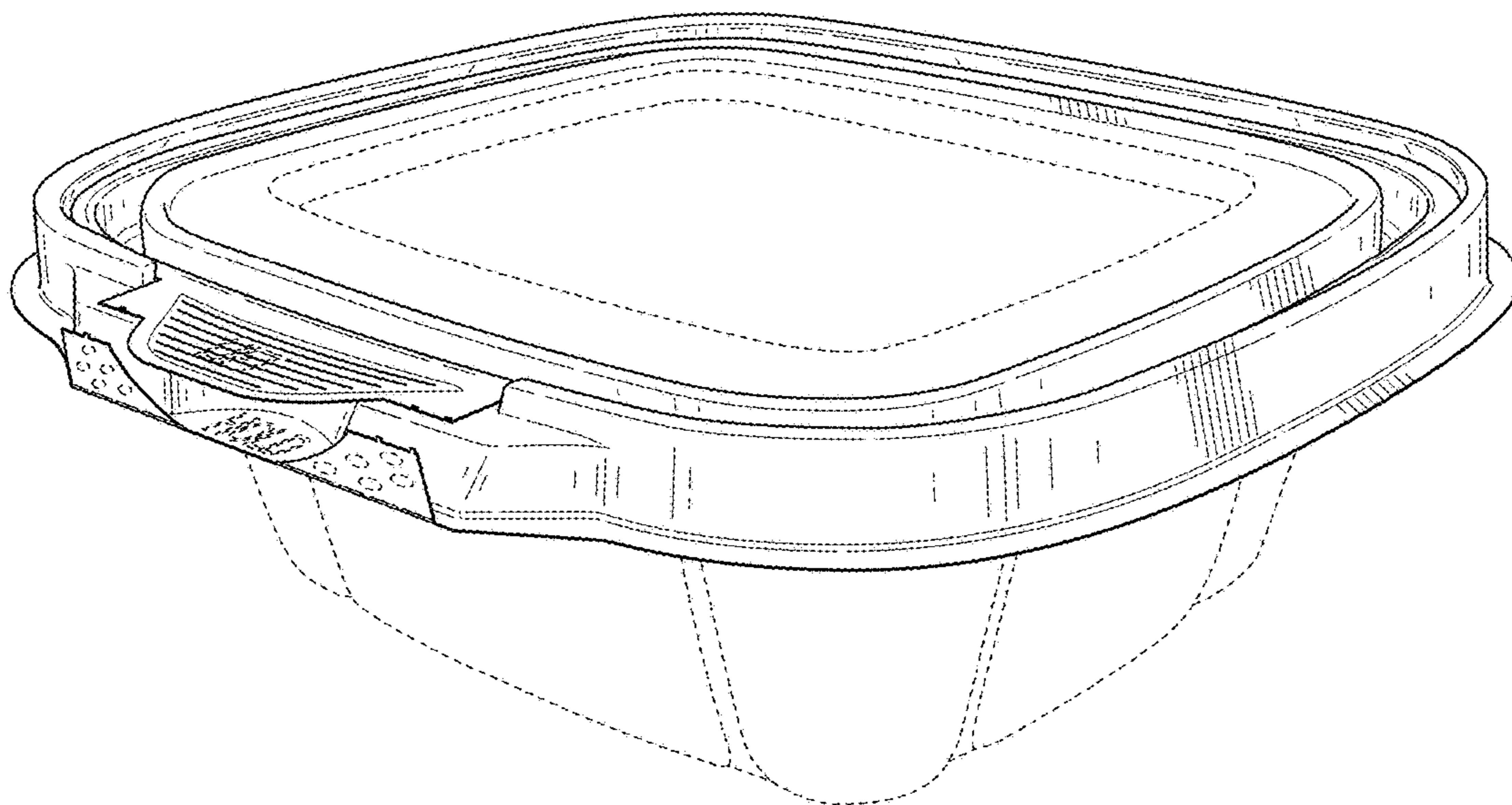


FIG. 7

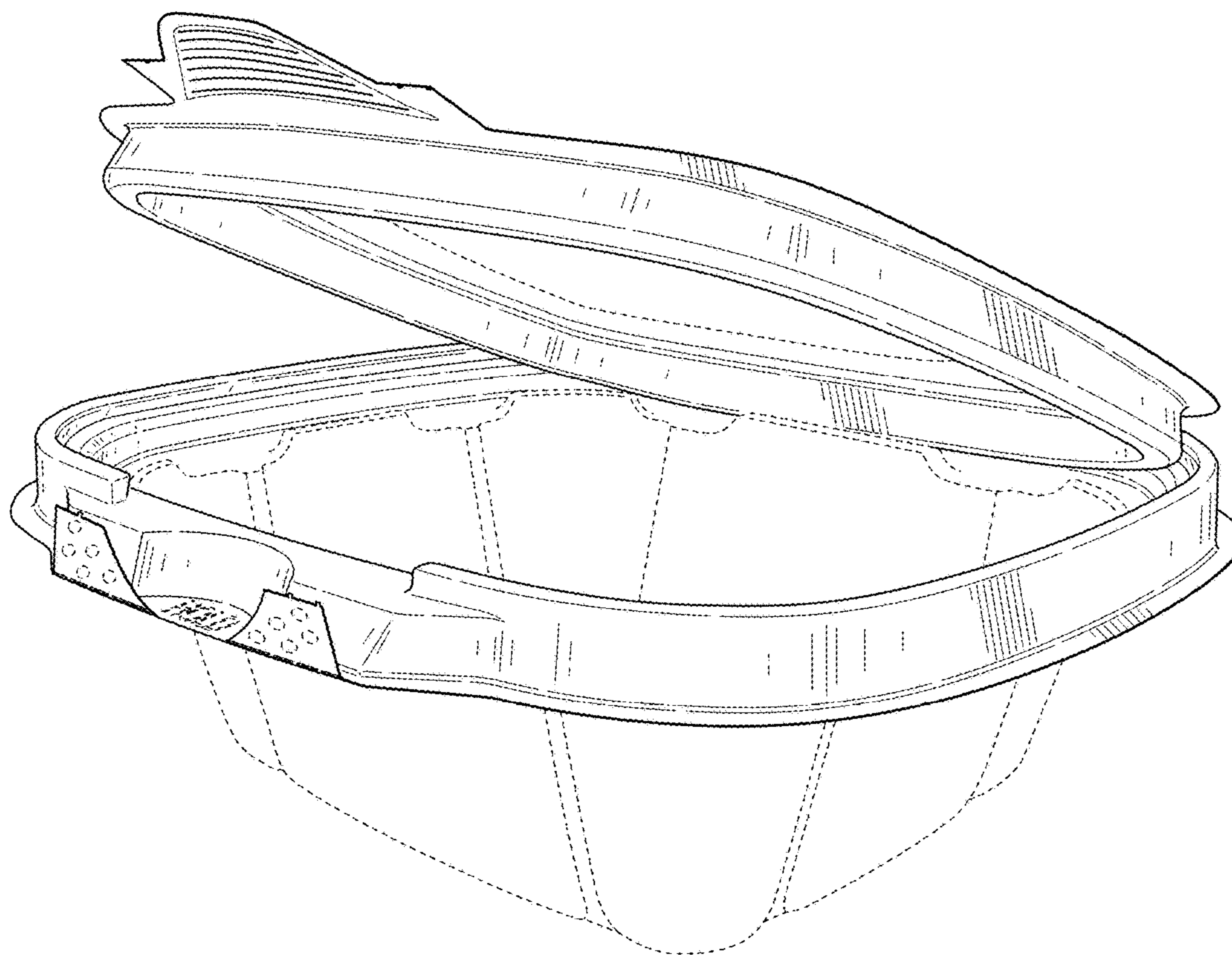


FIG. 8

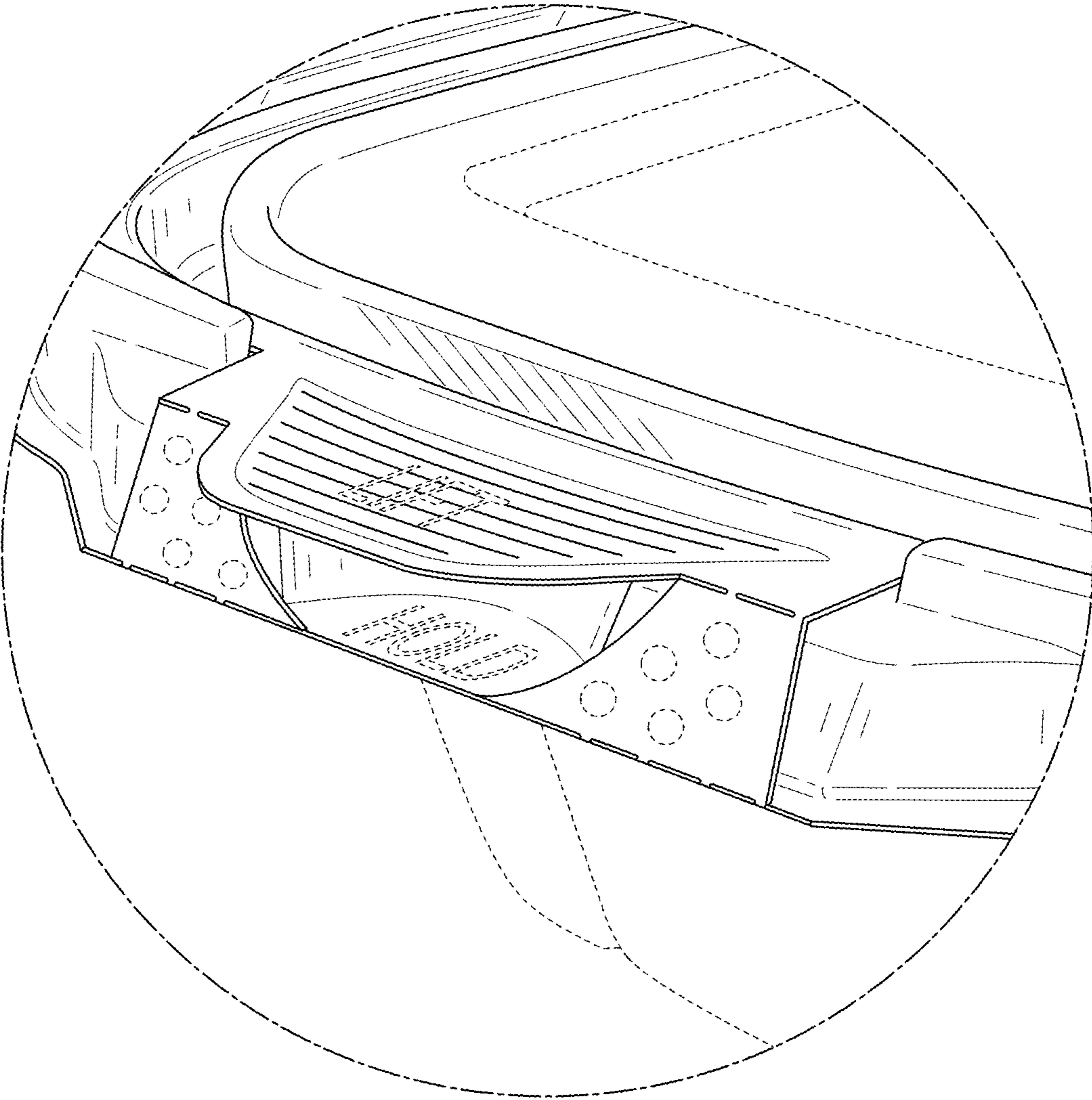


FIG. 9

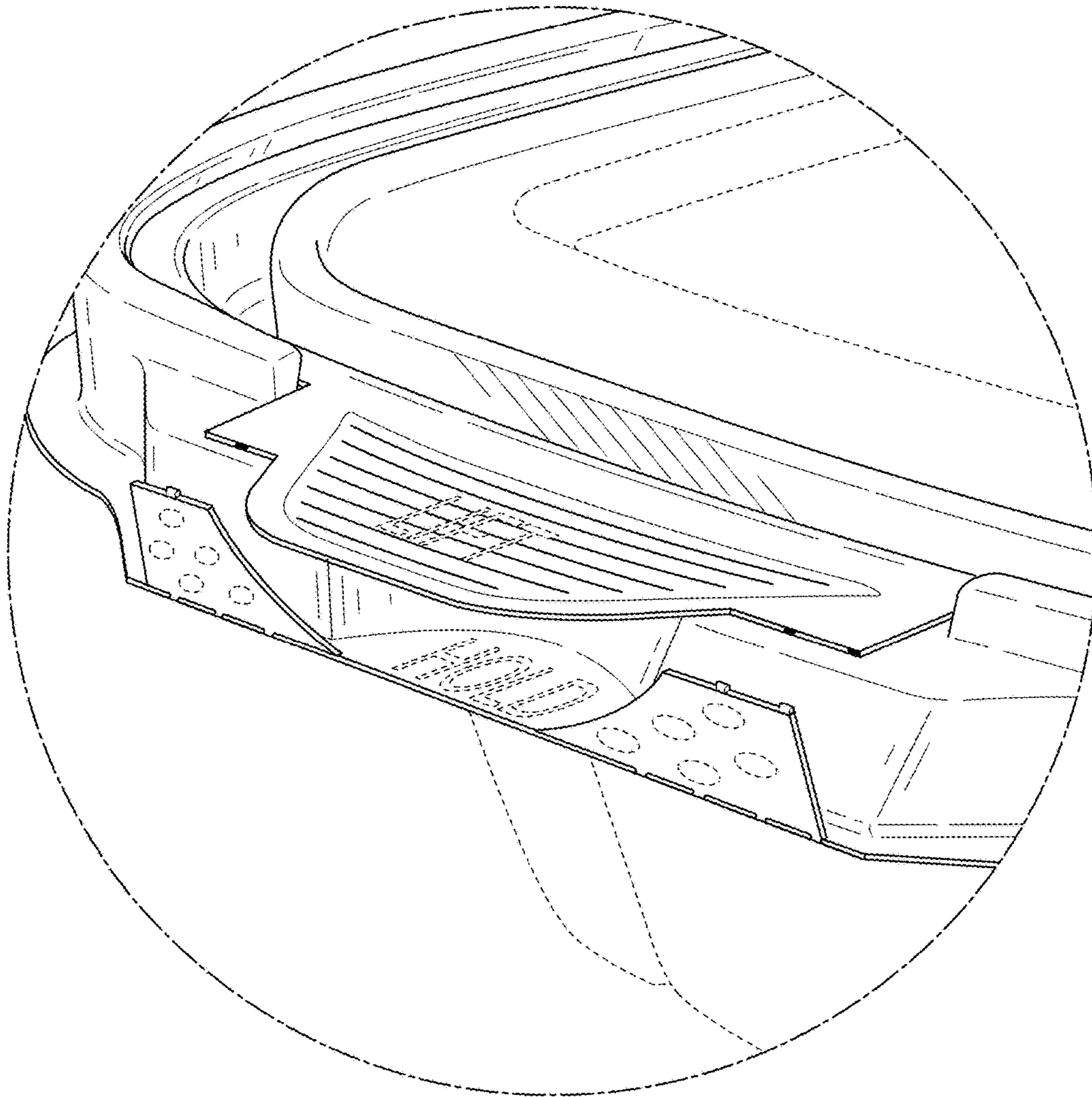


FIG. 10