



US00D776973S

(12) **United States Design Patent**
Du

(10) **Patent No.:** **US D776,973 S**
(45) **Date of Patent:** **** Jan. 24, 2017**

(54) **BLENDER BASE**

(71) Applicant: **Tsann Kuen (Zhangzhou) Enterprise Co., Ltd., Zhang Zhou (CN)**

(72) Inventor: **Ying Du, Zhang Zhou (CN)**

(73) Assignee: **Tsann Kuen (Zhangzhou) Enterprise Co., Ltd., Zhangzhou (CN)**

(**) Term: **15 Years**

(21) Appl. No.: **29/538,476**

(22) Filed: **Sep. 3, 2015**

(30) **Foreign Application Priority Data**

Mar. 26, 2015 (CN) 2015 3 0075522

(51) **LOC (10) Cl.** **31-00**

(52) **U.S. Cl.**
USPC **D7/386; D7/376; D7/378**

(58) **Field of Classification Search**
USPC D7/326, 372, 376-386, 412-413, 602, D7/629, 665-666, 669, 679, 693-694
CPC A21C 1/02; A21C 1/04; A23N 1/00; A23N 1/02; A47J 43/04; A47J 43/25; A47J 43/27; A47J 43/042; A47J 43/044; A47J 43/046; A47J 43/075; A47J 43/0716; A47J 43/0722; A47J 43/0727; B01F 3/00; B01F 3/0807; B01F 3/0853; B01F 13/0059; B01F 13/0064; B02C 1/08; B02C 2/04; B02C 4/42; B02C 4/142; B02C 4/143; B02C 4/423; B02C 13/1835; B28C 5/10; B28C 5/12; B28C 5/14; B28C 5/16

See application file for complete search history.

(56) **References Cited**

U.S. PATENT DOCUMENTS

3,064,949 A *	11/1962	Dewenter	A47J 43/046 241/195
D318,398 S *	7/1991	Disco	D7/378
D343,987 S *	2/1994	Rotte	D7/376
D553,426 S *	10/2007	Lin	D7/378
D556,506 S *	12/2007	Spagnolo	D7/378
D707,488 S *	6/2014	Cornu	D7/378
D710,141 S *	8/2014	Vulliermet	D7/326
D728,302 S *	5/2015	Vu	D7/376
D731,235 S *	6/2015	Bradley	D7/376
D747,915 S *	1/2016	Kim	D7/372

* cited by examiner

Primary Examiner — Ricky Pham

(74) *Attorney, Agent, or Firm* — Wang Law Firm, Inc.

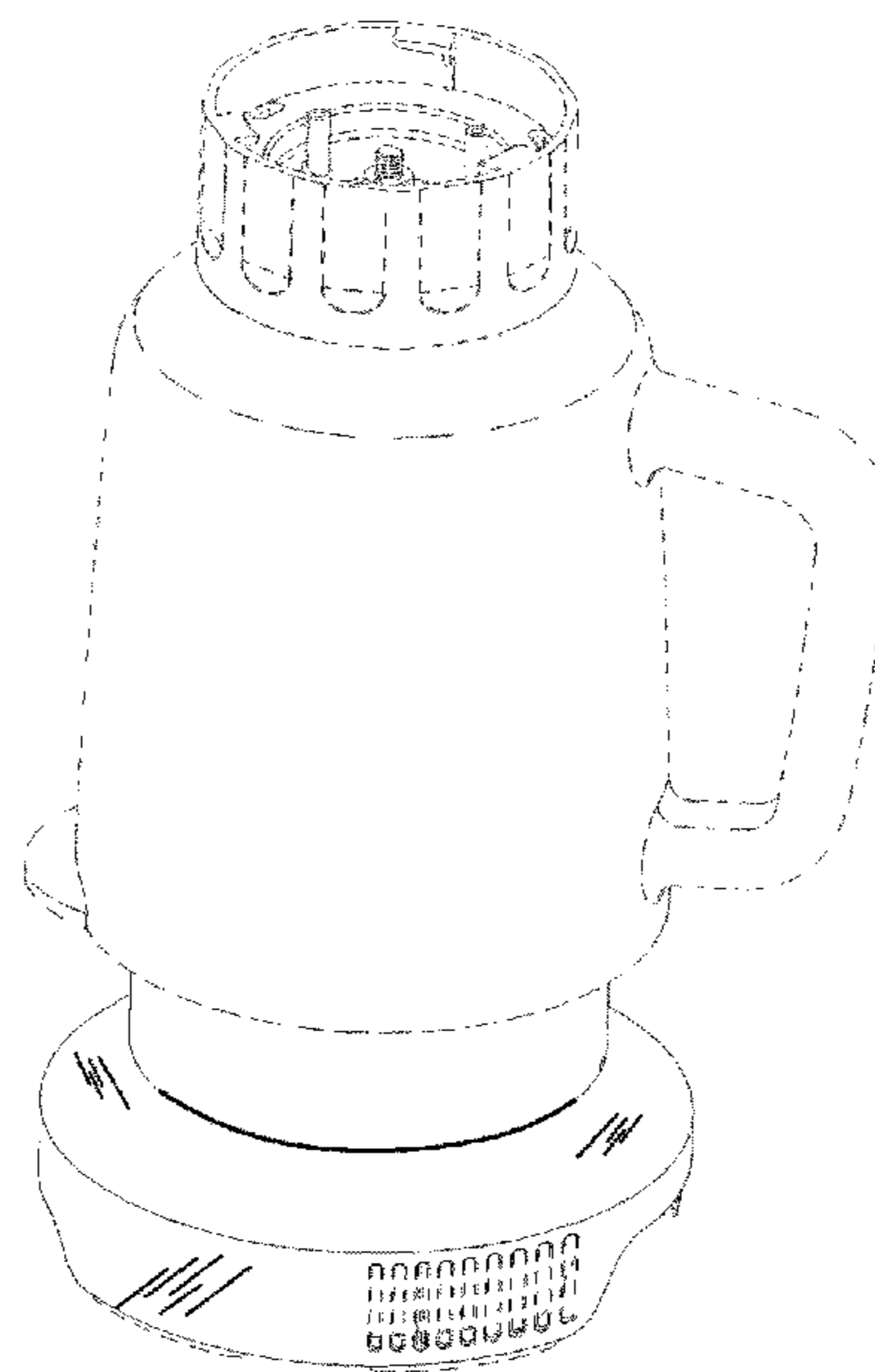
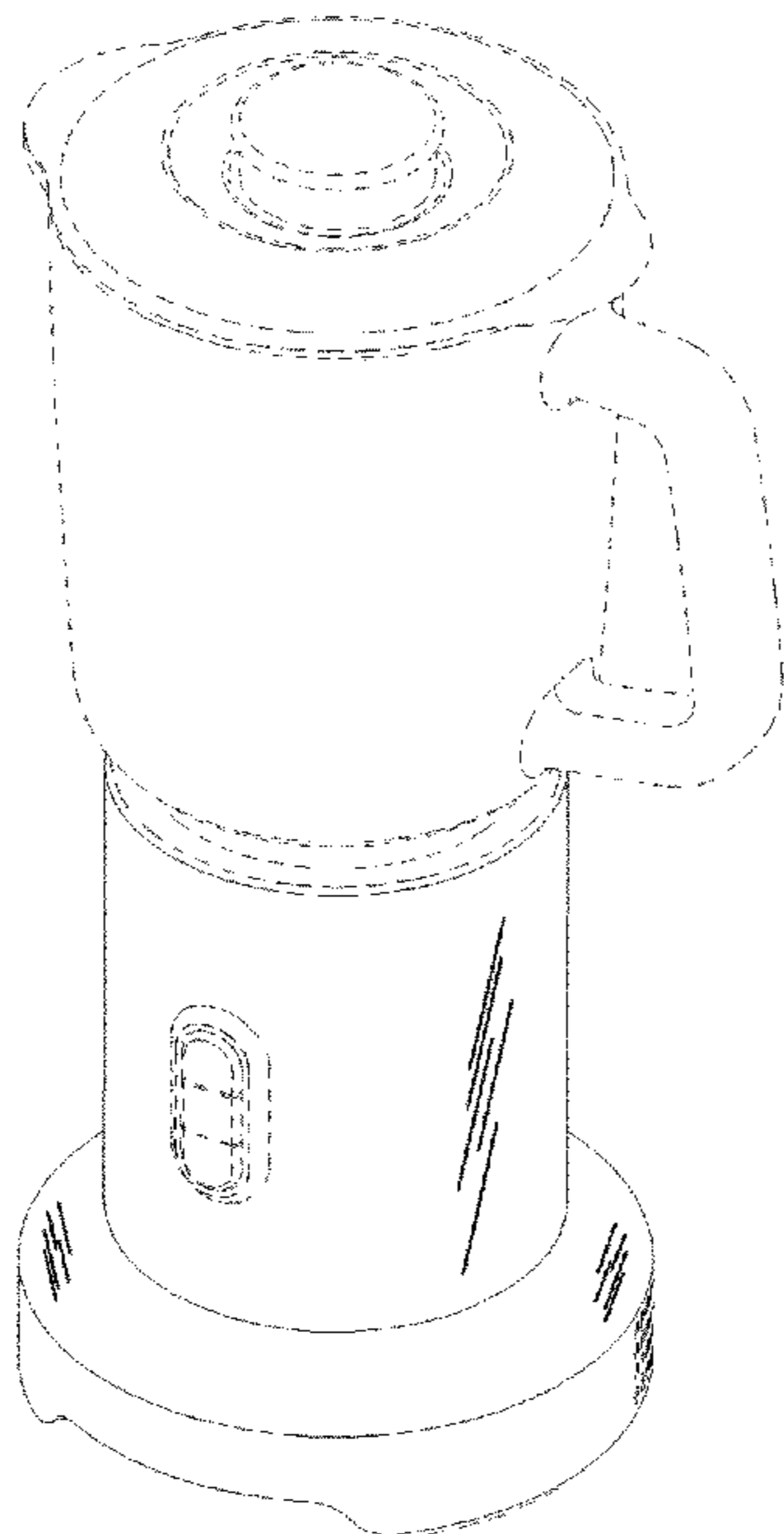
(57) **CLAIM**

The ornamental design for a blender base, as shown and described.

DESCRIPTION

FIG. 1 is a front view of a blender base showing my new design;
FIG. 2 is a rear view thereof;
FIG. 3 is a left side view thereof;
FIG. 4 is a right side view thereof;
FIG. 5 is a top plan view thereof;
FIG. 6 is a bottom plan view thereof; and
FIG. 7 is a perspective view thereof; and,
FIG. 8 is a perspective view in working state thereof.
The broken lines shown in the figures are for illustrative purposes only and form no part of the claimed design.

1 Claim, 8 Drawing Sheets



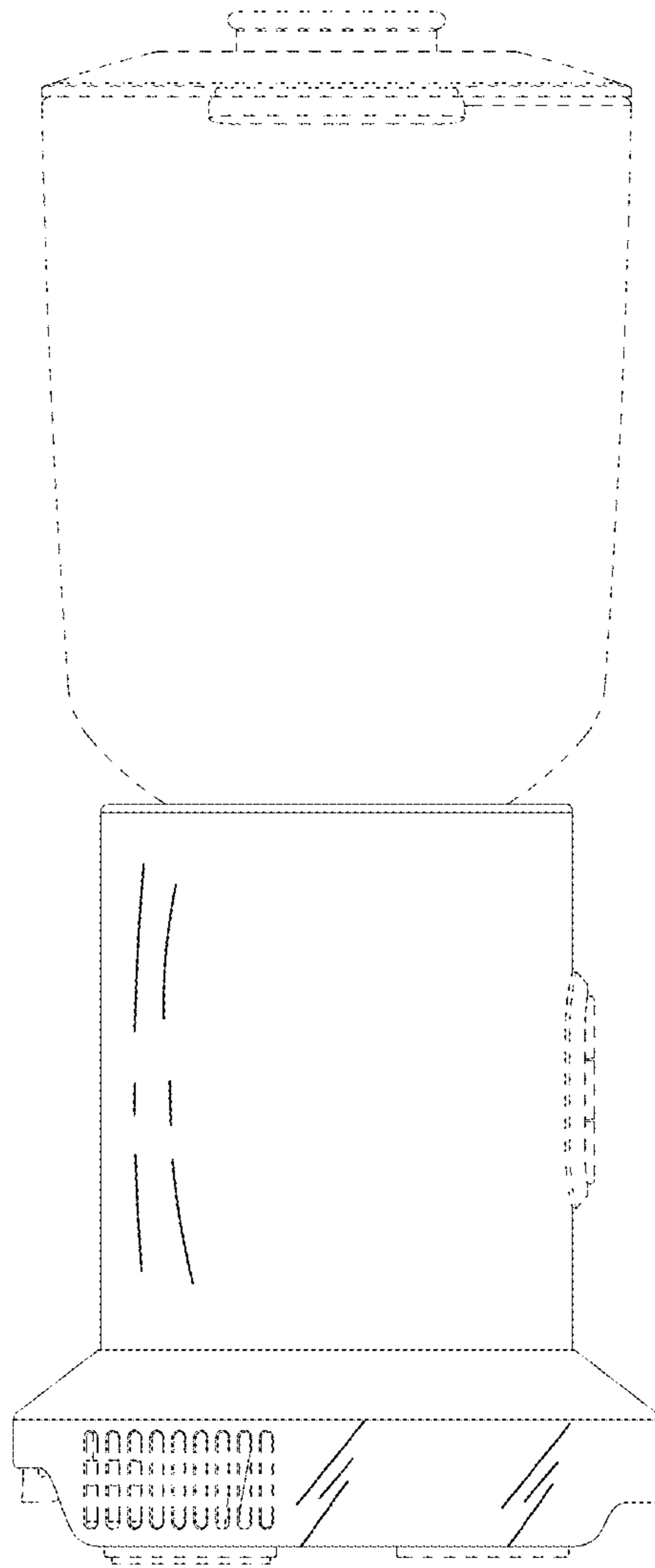


Fig. 1

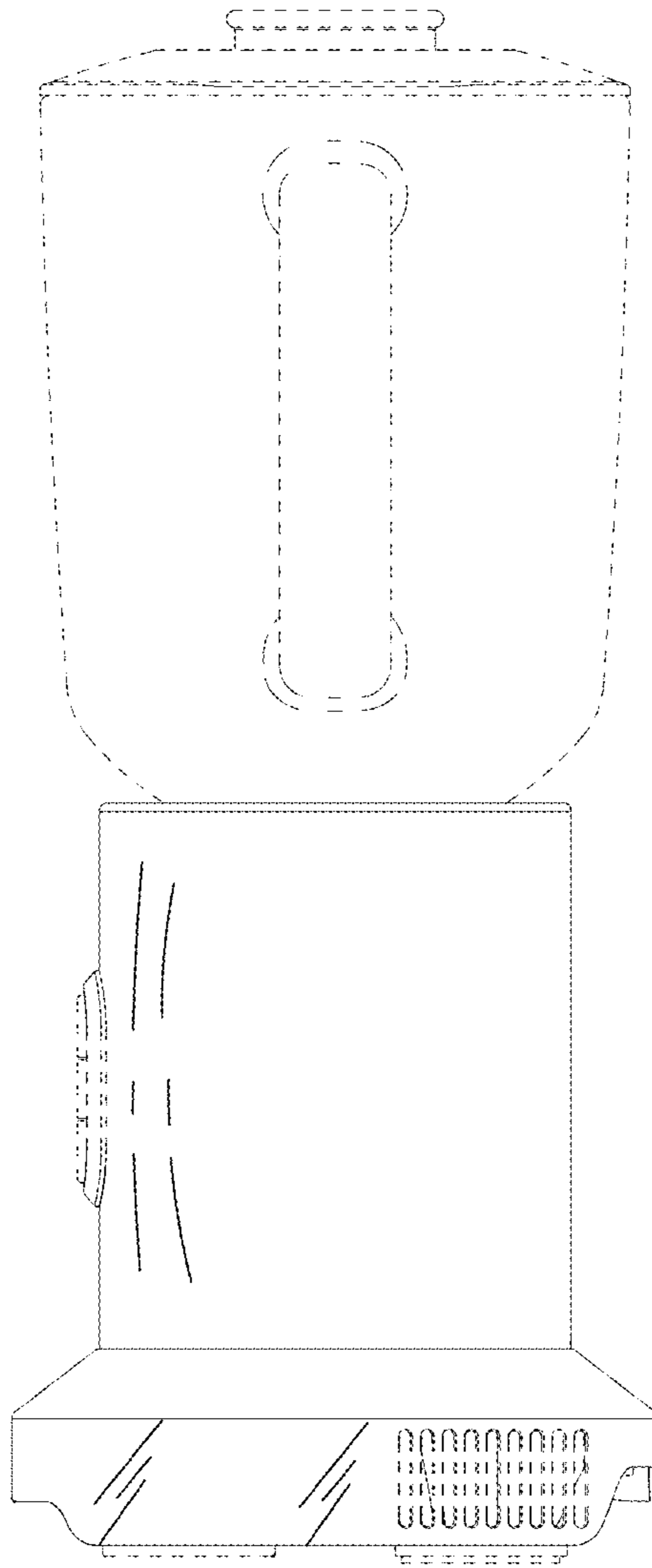


Fig. 2

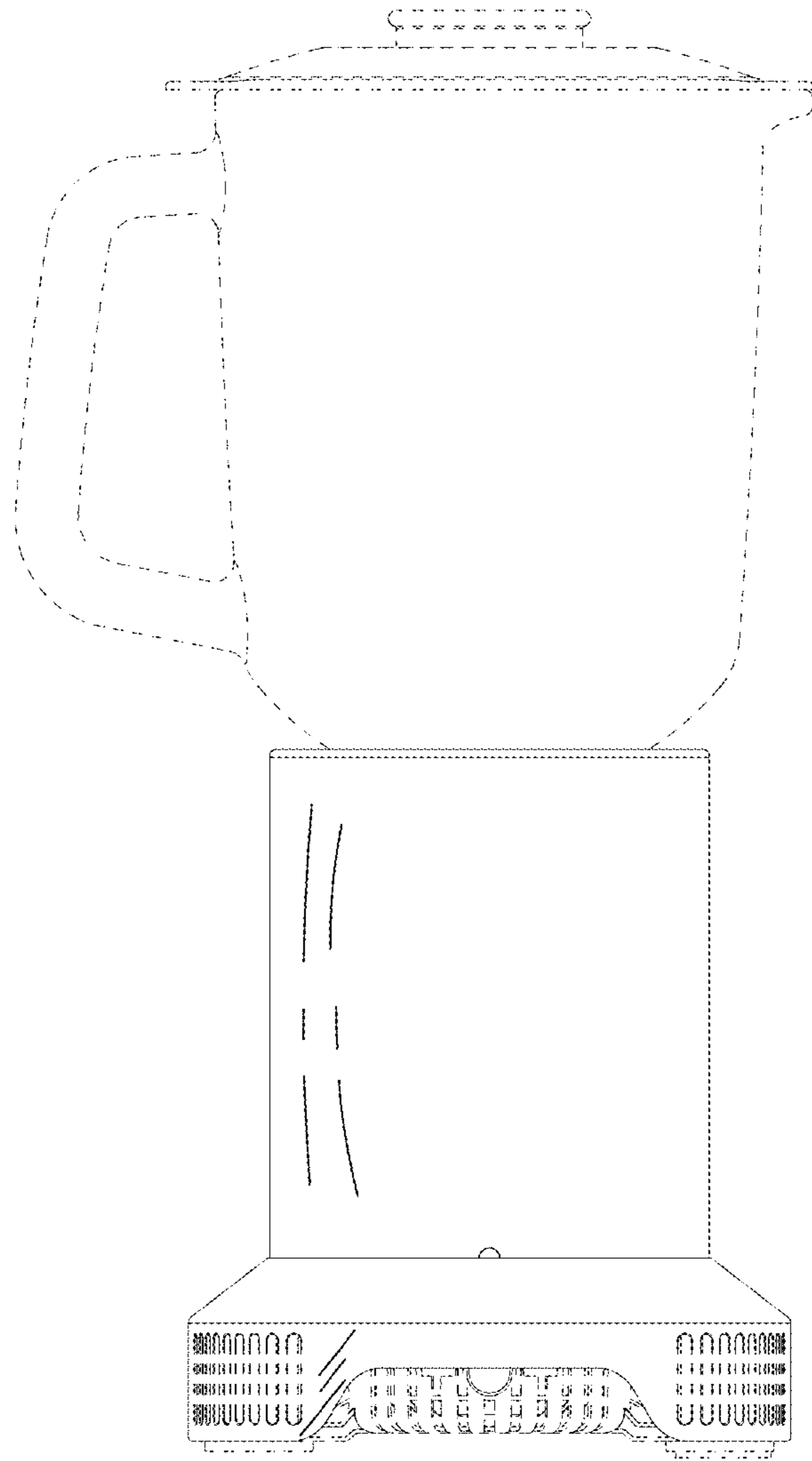


Fig. 3

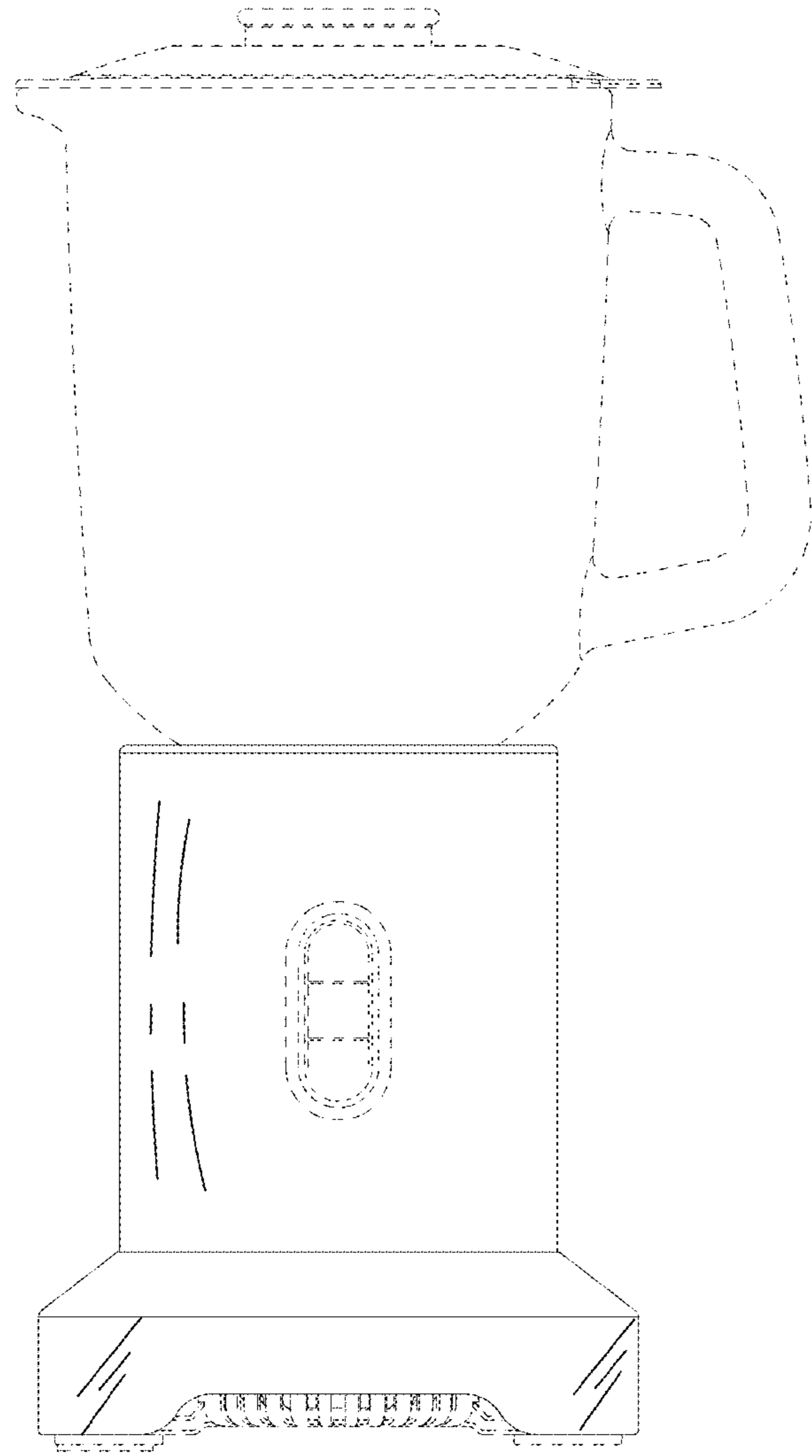


Fig. 4

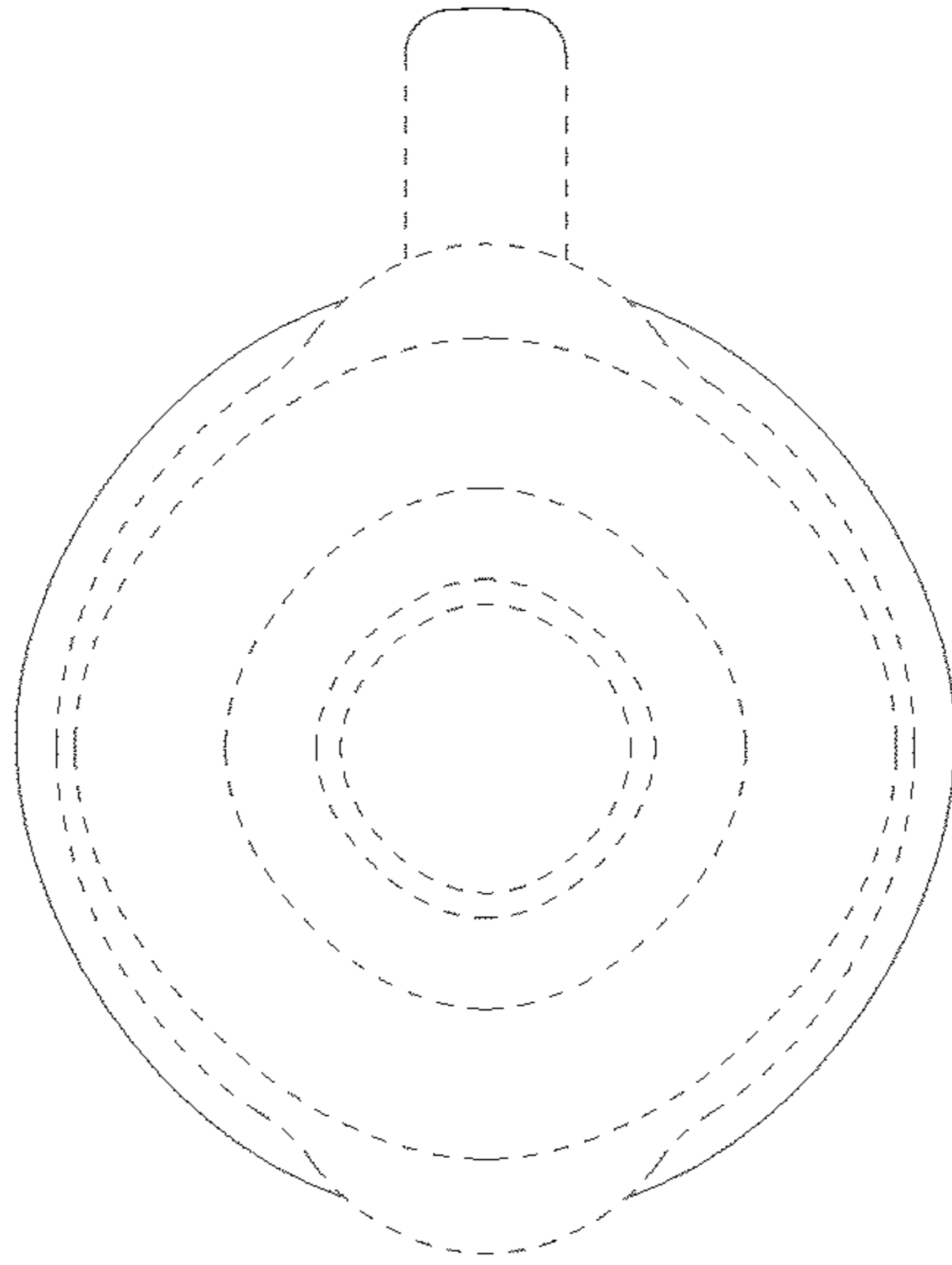


Fig. 5

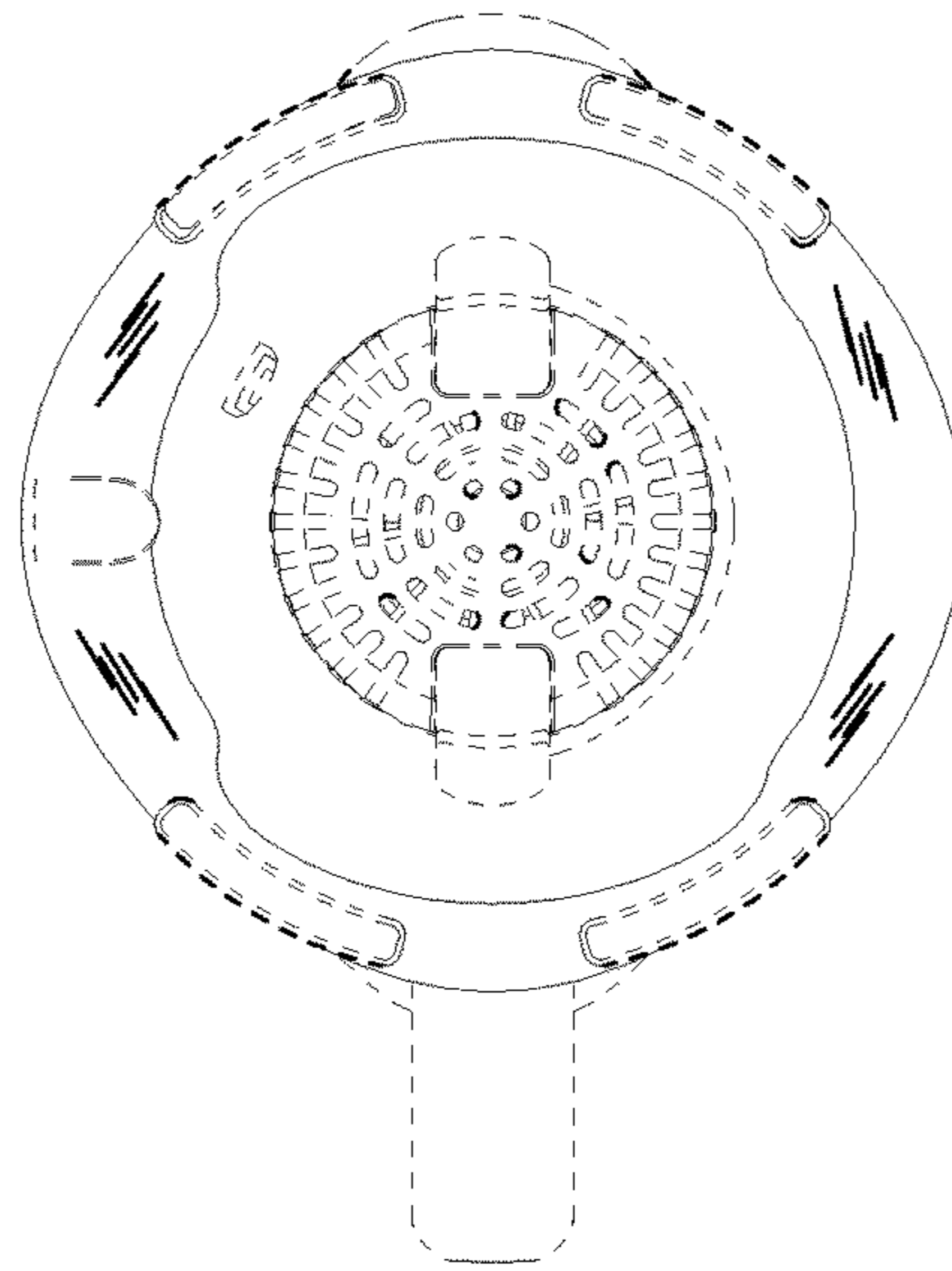


Fig. 6

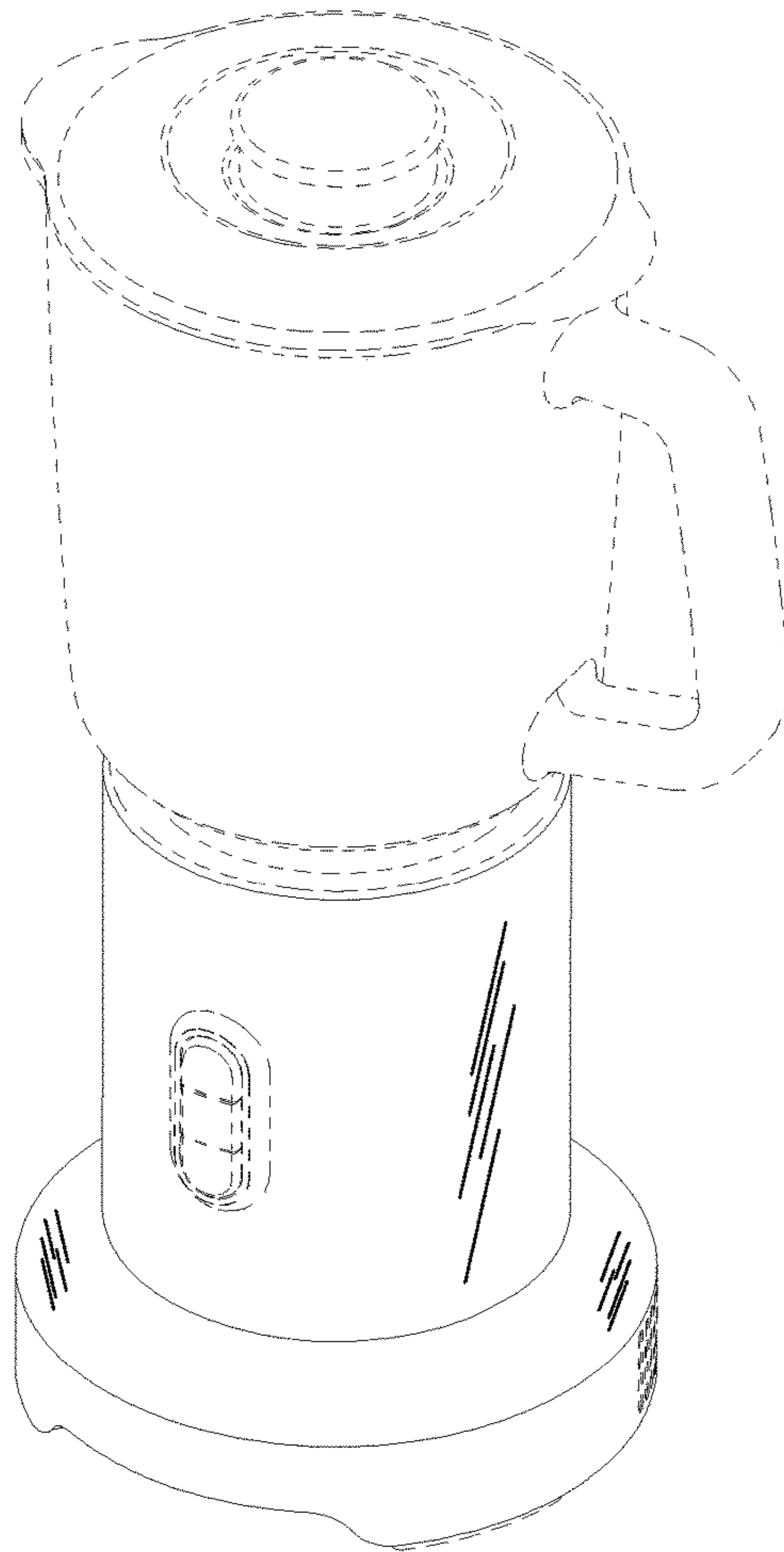


Fig. 7



Fig. 8