



US00D776971S

(12) **United States Design Patent**  
**Crowell**

(10) **Patent No.:** **US D776,971 S**

(45) **Date of Patent:** **\*\* Jan. 24, 2017**

(54) **INFUSION TOWER**

(71) Applicant: **Micro Matic USA, Inc.**, Brooksville,  
FL (US)

(72) Inventor: **Jeffrey Crowell**, Spring Hill, FL (US)

(73) Assignee: **Micro Matic USA, Inc.**, Brooksville,  
FL (US)

(\*\*) Term: **15 Years**

(21) Appl. No.: **29/543,021**

(22) Filed: **Oct. 20, 2015**

(51) **LOC (10) Cl.** ..... **07-01**

(52) **U.S. Cl.**  
USPC ..... **D7/307; D7/308; D7/313**

(58) **Field of Classification Search**  
USPC ..... D7/301, 306-308, 313, 300; D23/207;  
99/275, 279; 222/146.1-146.6, 185.1  
CPC ..... B67D 1/00; B67D 3/0009; B67D 1/0835;  
B67D 1/14  
See application file for complete search history.

(56) **References Cited**

**U.S. PATENT DOCUMENTS**

D202,327 S \* 9/1965 Reichow ..... D7/308  
3,355,068 A \* 11/1967 Harland ..... B67D 1/1466  
141/102

D390,059 S \* 2/1998 Saito ..... D7/308  
D411,072 S \* 6/1999 Roundtree ..... D7/307  
D412,262 S \* 7/1999 Roundtree ..... D7/307  
D455,597 S \* 4/2002 Lefroy-Brooks ..... D7/306  
D536,916 S \* 2/2007 Payne ..... D7/307  
7,374,067 B2 \* 5/2008 De Miceli ..... B29C 47/0002  
222/146.6  
D588,852 S \* 3/2009 Stein ..... D7/301  
D609,044 S \* 2/2010 James ..... D7/301  
D725,437 S \* 3/2015 McIntyre ..... D7/307

\* cited by examiner

*Primary Examiner* — Marianne Pandozzi  
(74) *Attorney, Agent, or Firm* — Burr & Forman LLP;  
Ryan M. Corbett

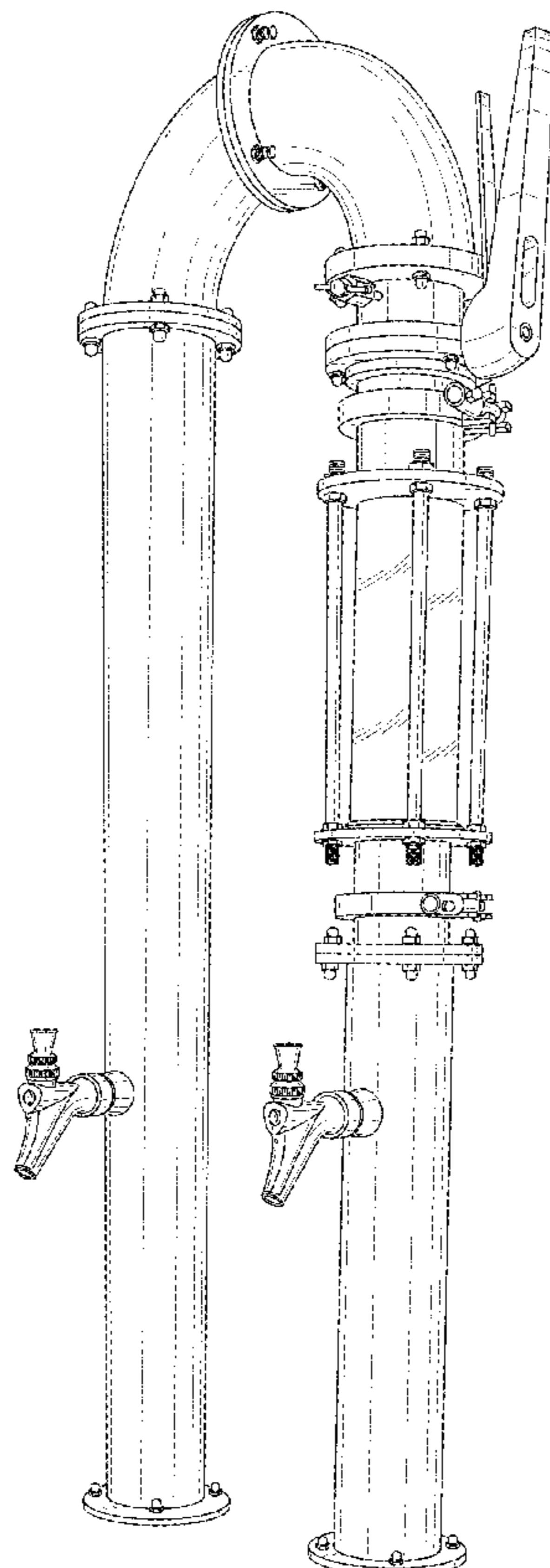
(57) **CLAIM**

The ornamental design for an infusion tower, as shown and described.

**DESCRIPTION**

FIG. 1 is a front perspective view of an infusion tower showing my new design;  
FIG. 2 is a front view thereof;  
FIG. 3 is a rear view thereof;  
FIG. 4 is a left side view thereof;  
FIG. 5 is a right side view thereof;  
FIG. 6 is a top plan view thereof; and,  
FIG. 7 is a bottom plan view thereof.

**1 Claim, 6 Drawing Sheets**



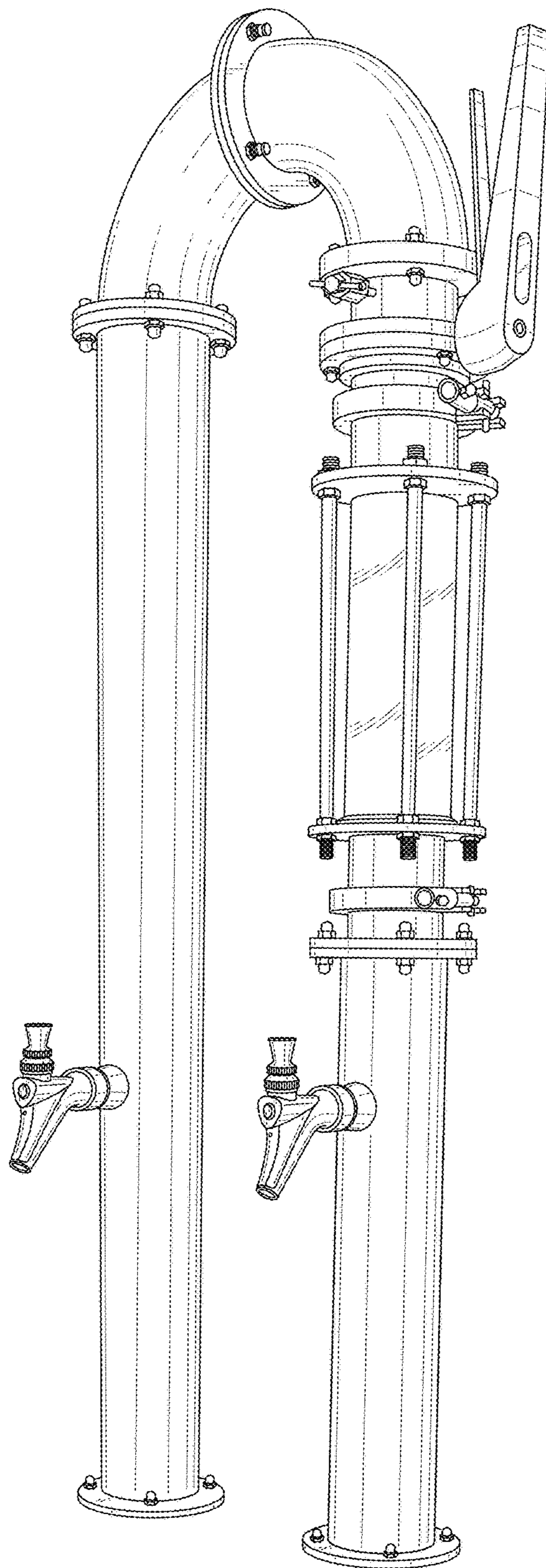


FIG. 1

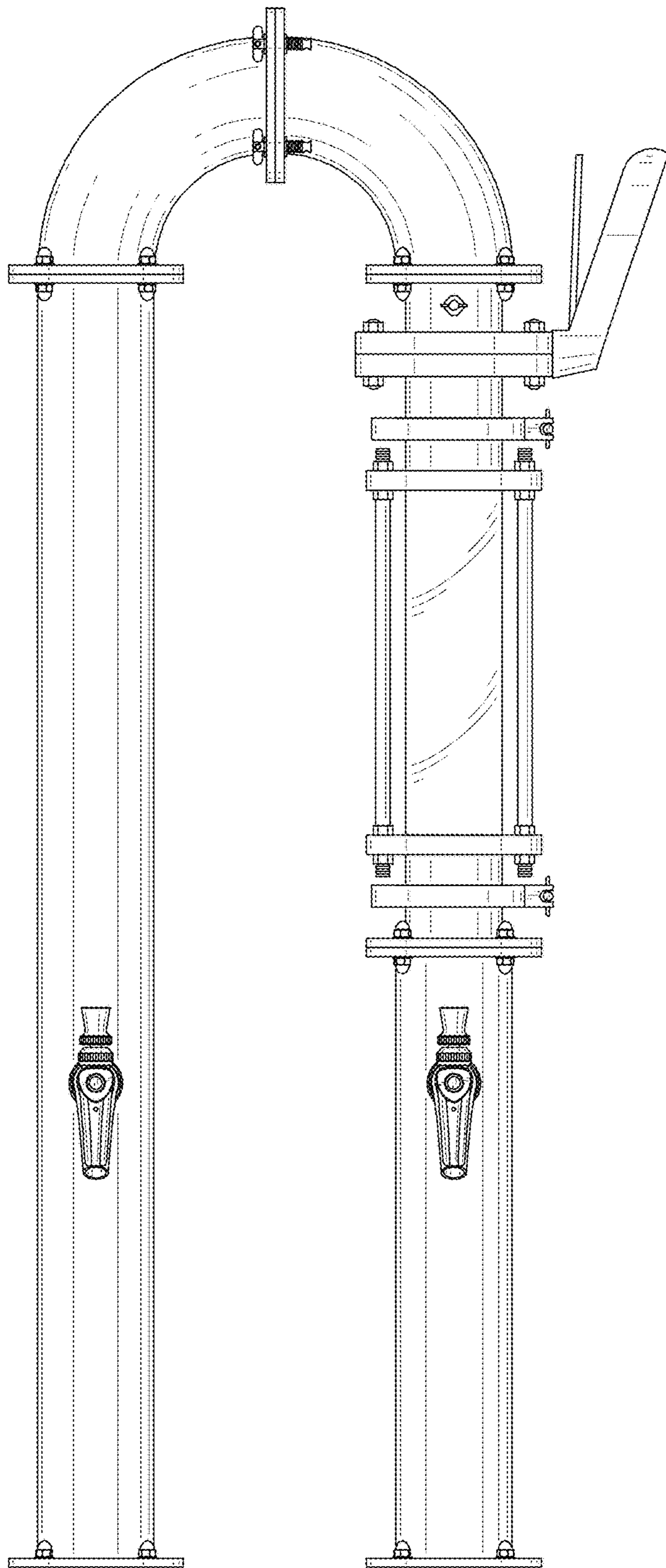


FIG. 2

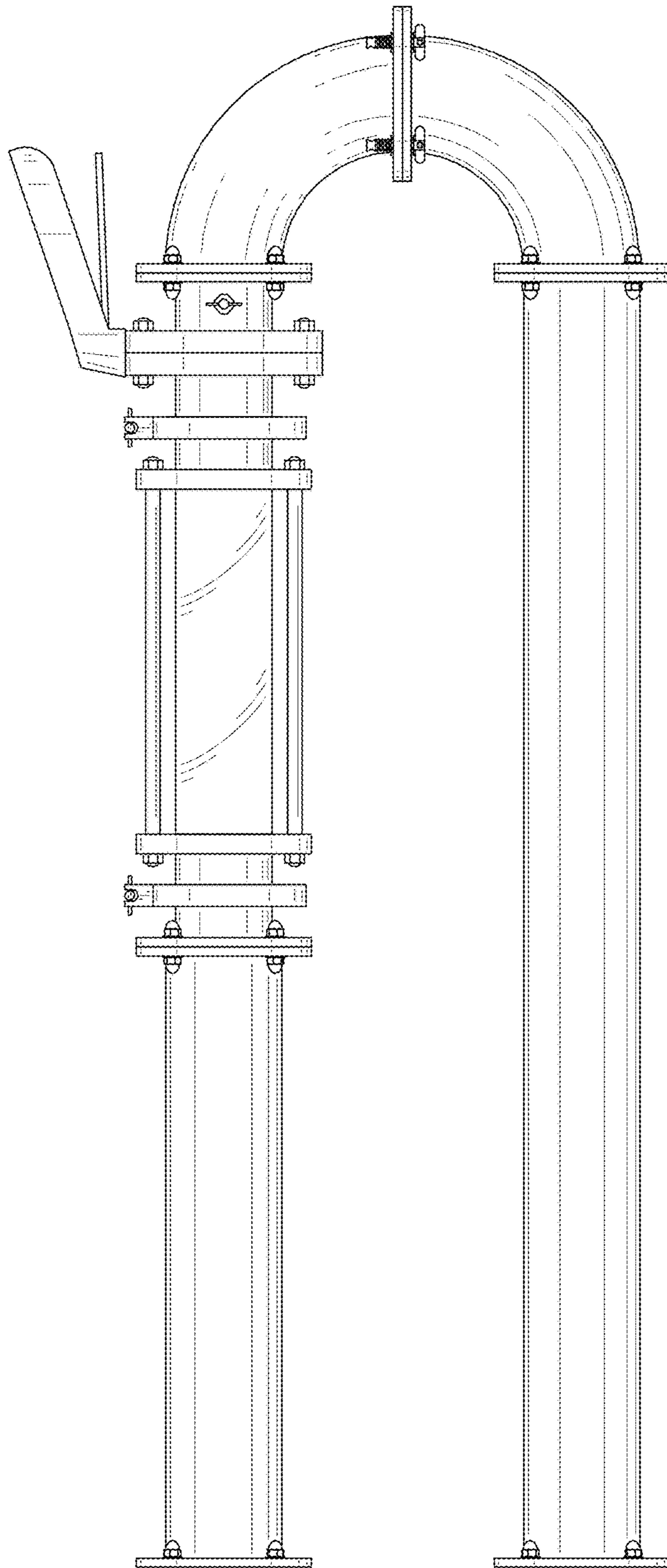


FIG. 3

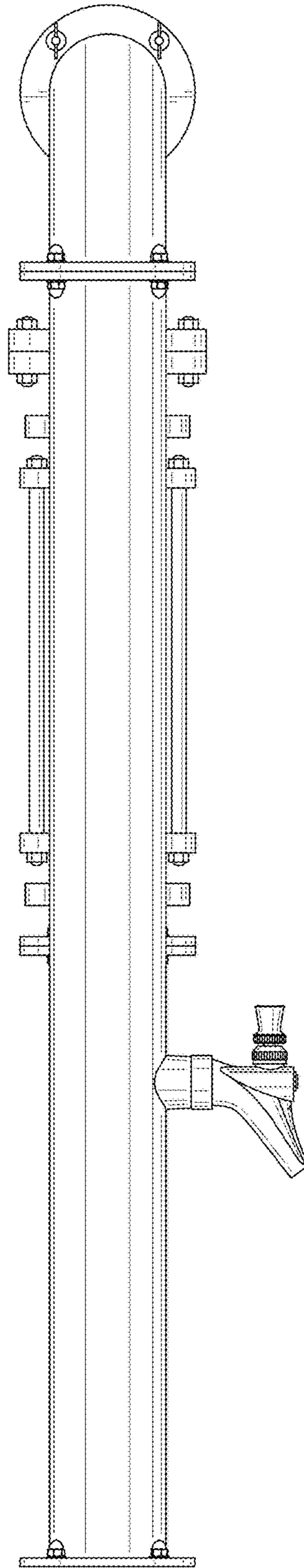


FIG. 4

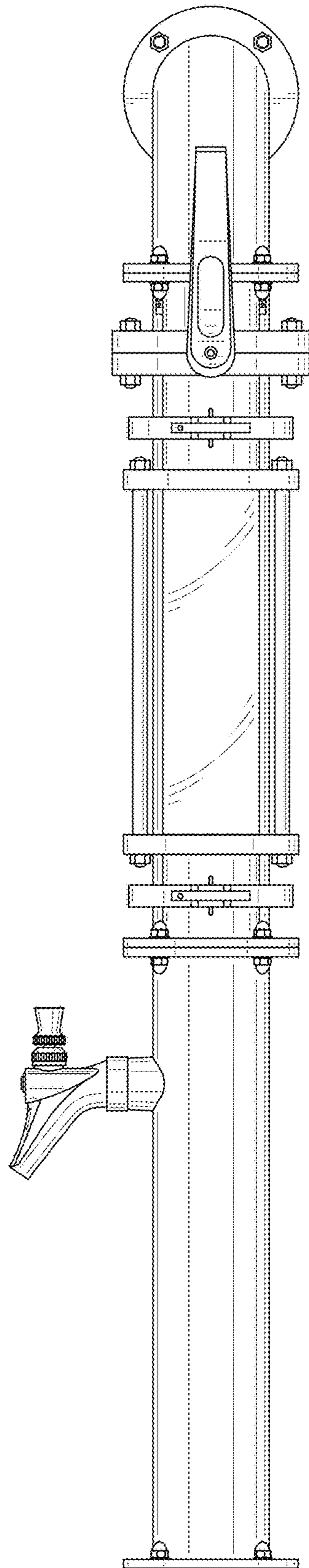


FIG. 5

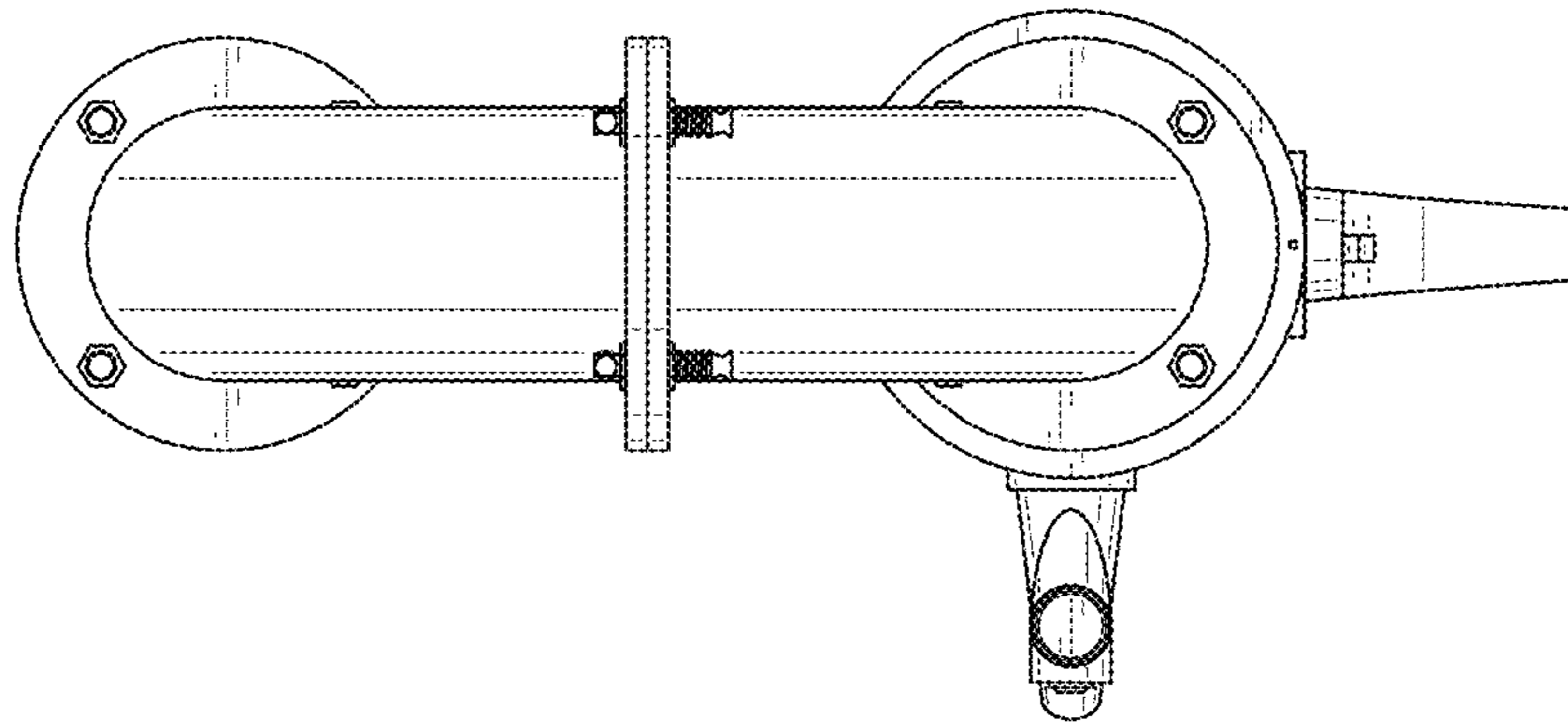


FIG. 6

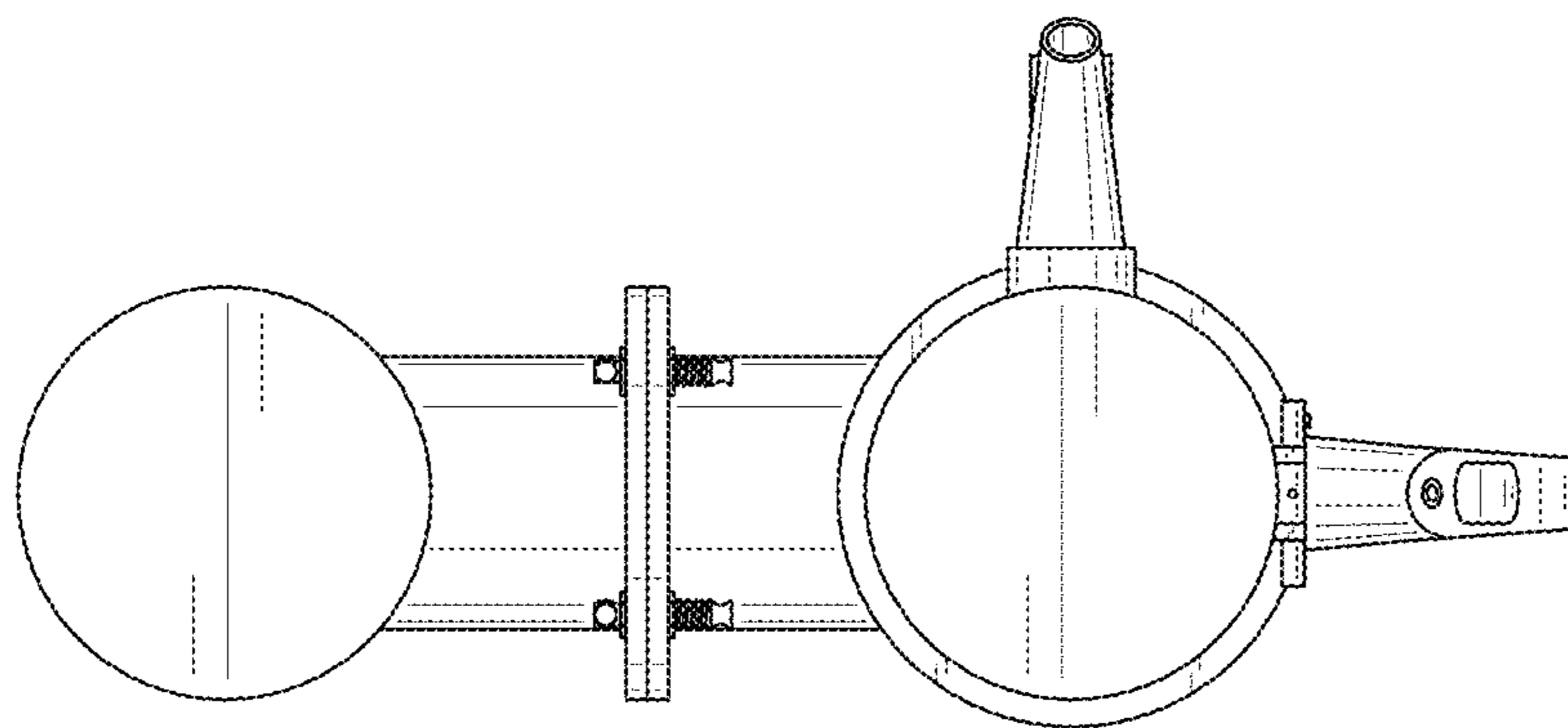


FIG. 7