



US00D776968S

(12) **United States Design Patent** (10) **Patent No.:** **US D776,968 S**
Powell et al. (45) **Date of Patent:** **** Jan. 24, 2017**

(54) **TABLE BASE**
 (71) Applicant: **Assa Group, Inc.**, Lowell, MI (US)
 (72) Inventors: **David J. Powell**, Lowell, MI (US);
Ryan D. Sullivan, Grand Rapids, MI (US)
 (73) Assignee: **Assa Group, Inc.**, Lowell, MI (US)
 (**) Term: **15 Years**
 (21) Appl. No.: **29/566,526**
 (22) Filed: **May 31, 2016**
 (51) **LOC (10) Cl.** **06-06**
 (52) **U.S. Cl.**
 USPC **D6/708**
 (58) **Field of Classification Search**
 USPC D6/641, 647, 656, 656.16, 656.17, 691.5,
 D6/685.3, 696.2, 702, 708, 708.16,
 D6/708.17, 708.21, 709; D21/784
 CPC A47B 7/00; A47B 13/00; A47B 13/02;
 A47B 13/0023; A47B 13/04; A47B 13/06;
 A47B 13/12; A47B 2013/024; A47B
 2200/0011; A47B 2200/0013; A47B
 2200/0016
 See application file for complete search history.

(56) **References Cited**
 U.S. PATENT DOCUMENTS

957,089 A	5/1910	Pfrenzinger	
1,545,894 A	7/1925	Hall	
1,604,254 A *	10/1926	Bate	A47B 3/12
			182/153
2,504,531 A *	4/1950	Johnson	A47B 3/12
			108/159
2,576,287 A	11/1951	English	
2,619,396 A	11/1952	Fires	
3,139,256 A	6/1964	Dodds	
4,372,224 A *	2/1983	Ehrlich	A47B 3/06
			108/150

4,650,143 A 3/1987 Kurrasch
 D332,648 S * 1/1993 Mitchell, Jr. D21/784
 5,634,411 A 6/1997 Chasan
 (Continued)

OTHER PUBLICATIONS

Table 1025—Zaguenn Innovation by J. Strasborg.*

Primary Examiner — Mary Ann Calabrese

(74) *Attorney, Agent, or Firm* — Oppenhuizen Law PLC;
David L. Oppenhuizen

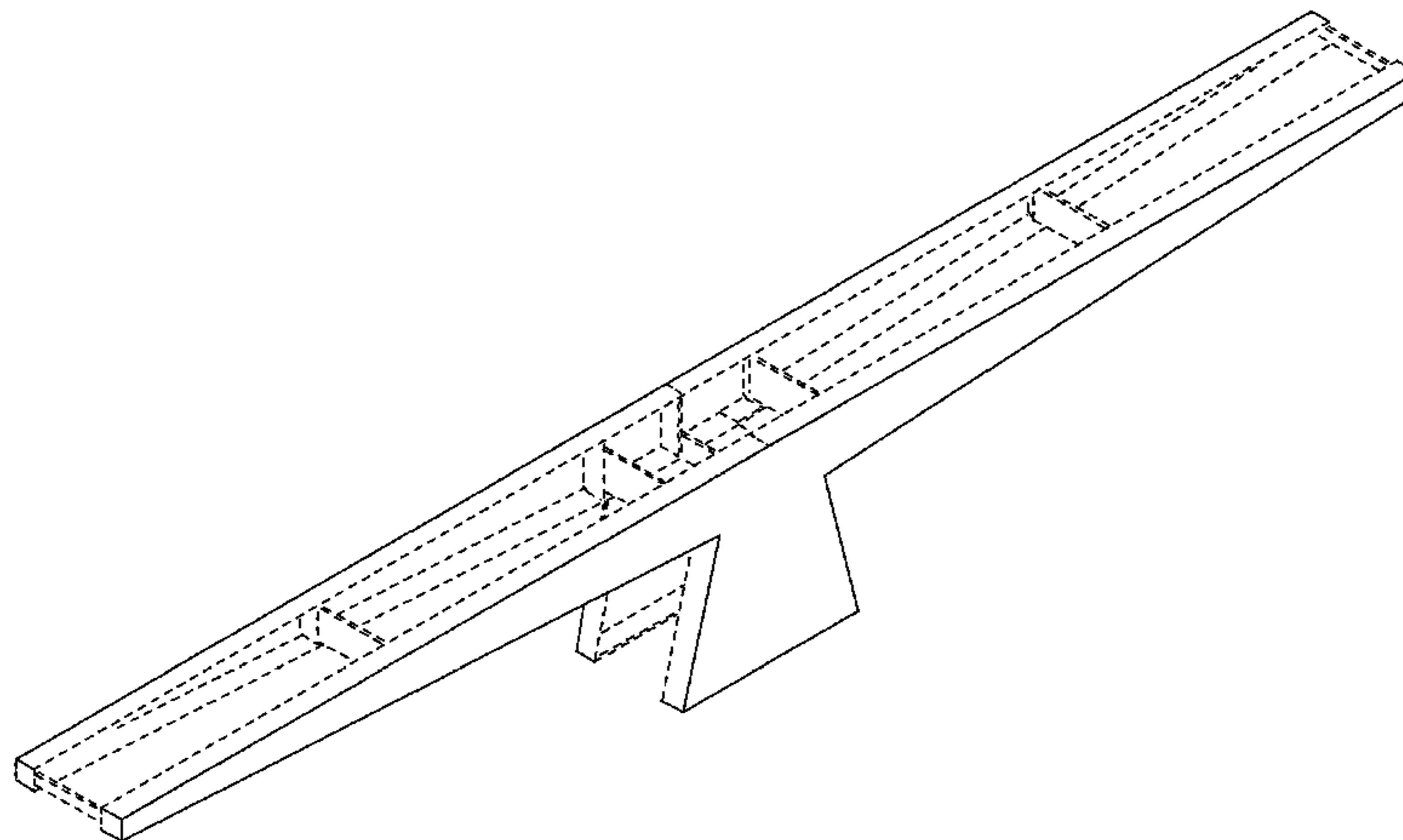
(57) **CLAIM**

The ornamental design for a table base, as shown and described.

DESCRIPTION

FIG. 1 is a perspective view of a table base showing the new design;
 FIG. 2 is a front view, the back view being a mirror image thereof;
 FIG. 3 is a left view, the right view being a mirror image thereof;
 FIG. 4 is a top view;
 FIG. 5 is a bottom view;
 FIG. 6 is a perspective view of a second embodiment of the table base;
 FIG. 7 is a front view of the second embodiment of the table base, the back view being a mirror image thereof;
 FIG. 8 is a left view of the second embodiment of the table base, the right view being a mirror image thereof;
 FIG. 9 is a top view of the second embodiment of the table base; and,
 FIG. 10 is a bottom view of the second embodiment of the table base.
 The broken lines are included for the purpose of illustrating portions of the table base that form no part of the claimed design.

1 Claim, 6 Drawing Sheets



(56)

References Cited

U.S. PATENT DOCUMENTS

D515,650 S * 2/2006 Hobbs D21/784
7,028,957 B1 4/2006 Larson
D526,821 S 8/2006 Muller
D559,019 S * 1/2008 Roberts D6/708.21
D573,376 S 7/2008 Muller
D573,377 S * 7/2008 Muller D6/708
D574,640 S 8/2008 Muller
7,886,674 B2 2/2011 Behnke
D665,602 S * 8/2012 Muller D6/708
2005/0263042 A1 12/2005 Martin et al.
2009/0038517 A1 2/2009 Ahmadinia
2012/0193503 A1 8/2012 Pike
2014/0060395 A1 3/2014 Ruiter et al.

* cited by examiner

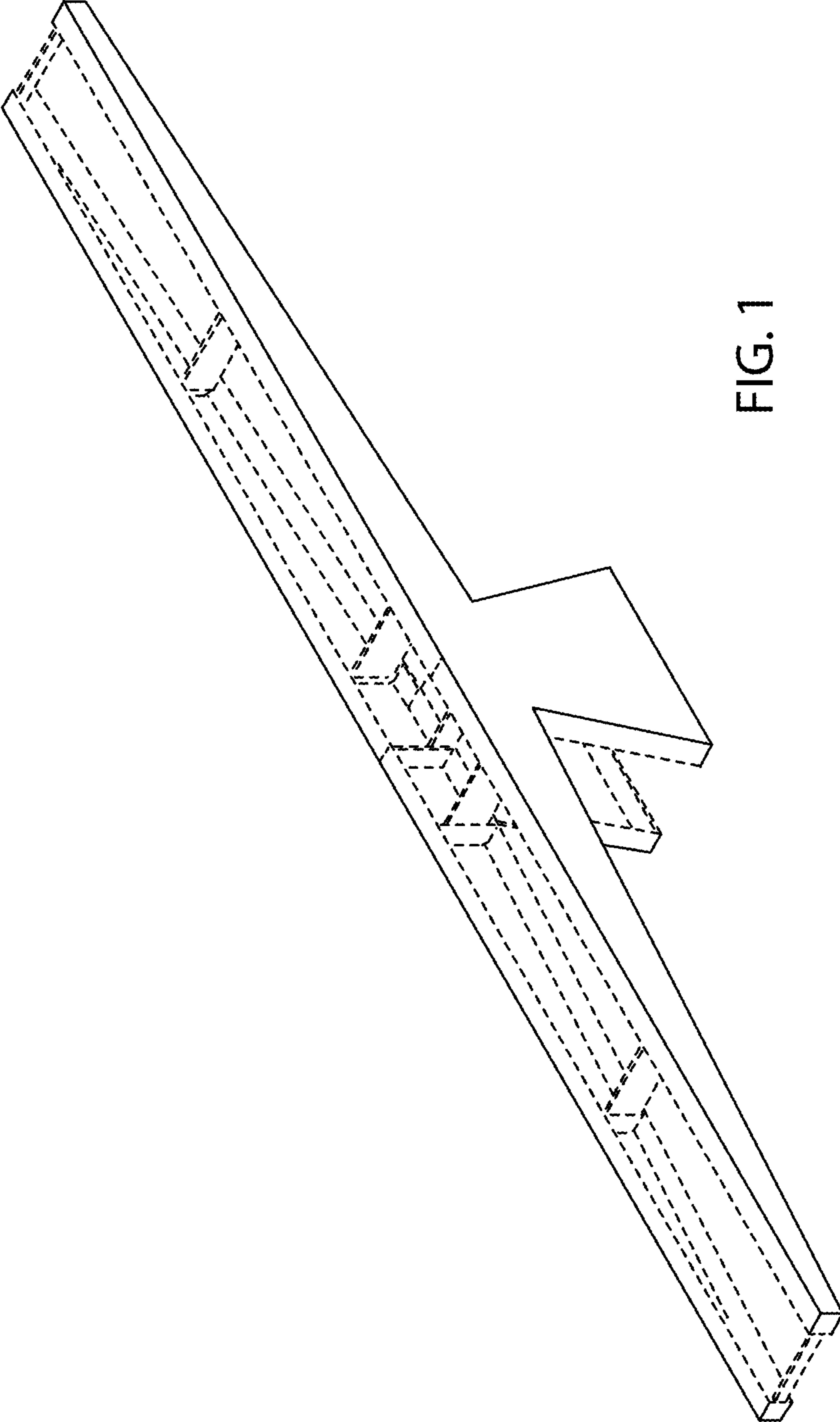


FIG. 1

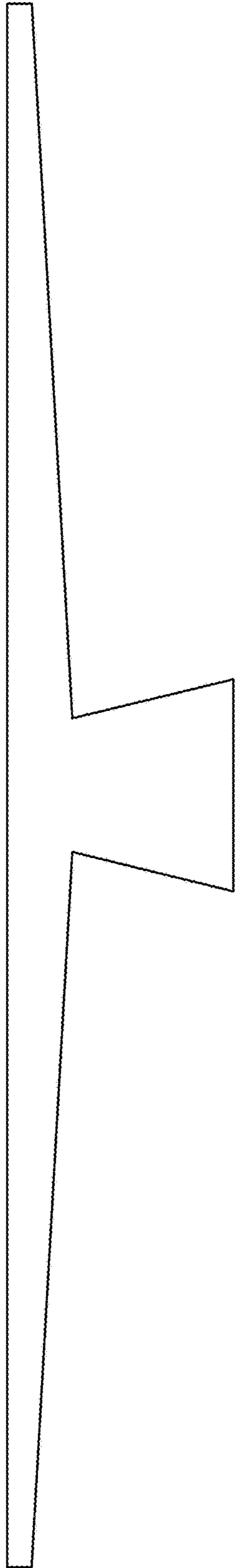


FIG. 2

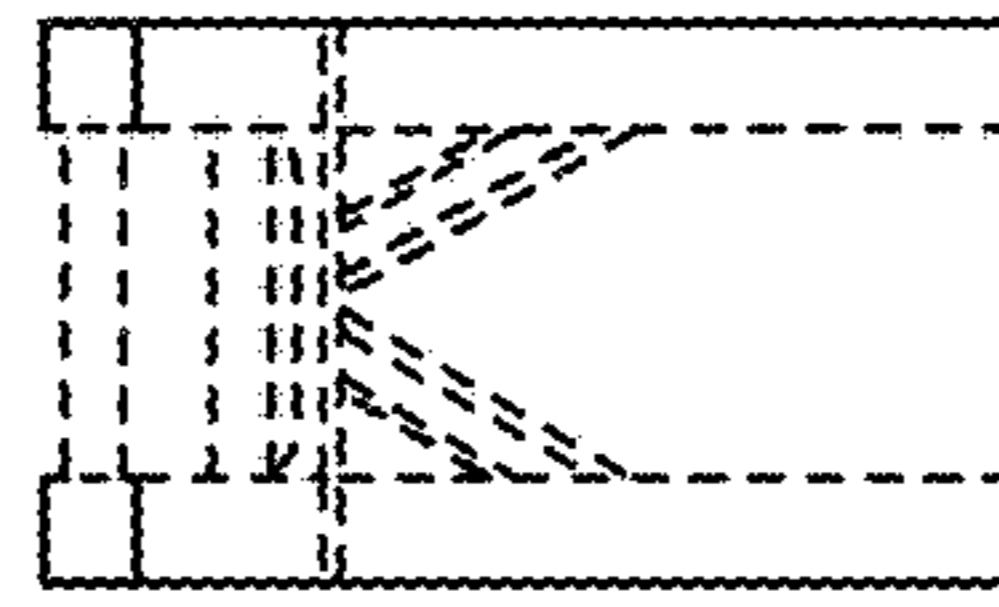


FIG. 3

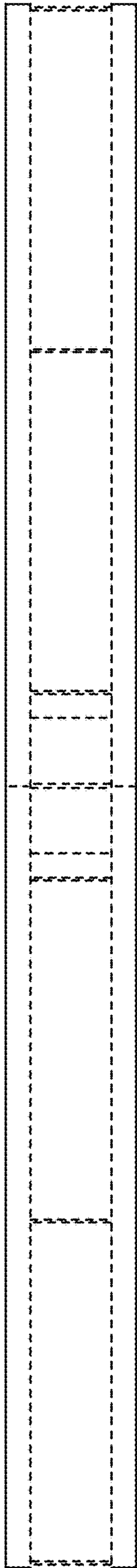


FIG. 4

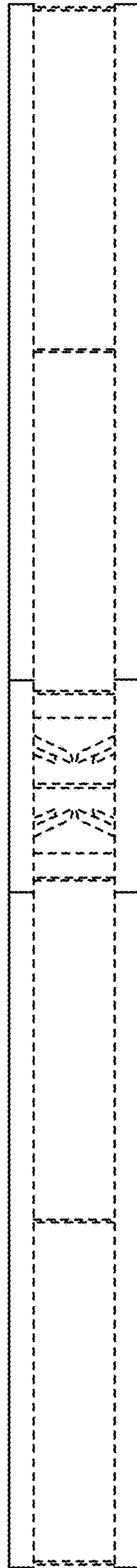


FIG. 5

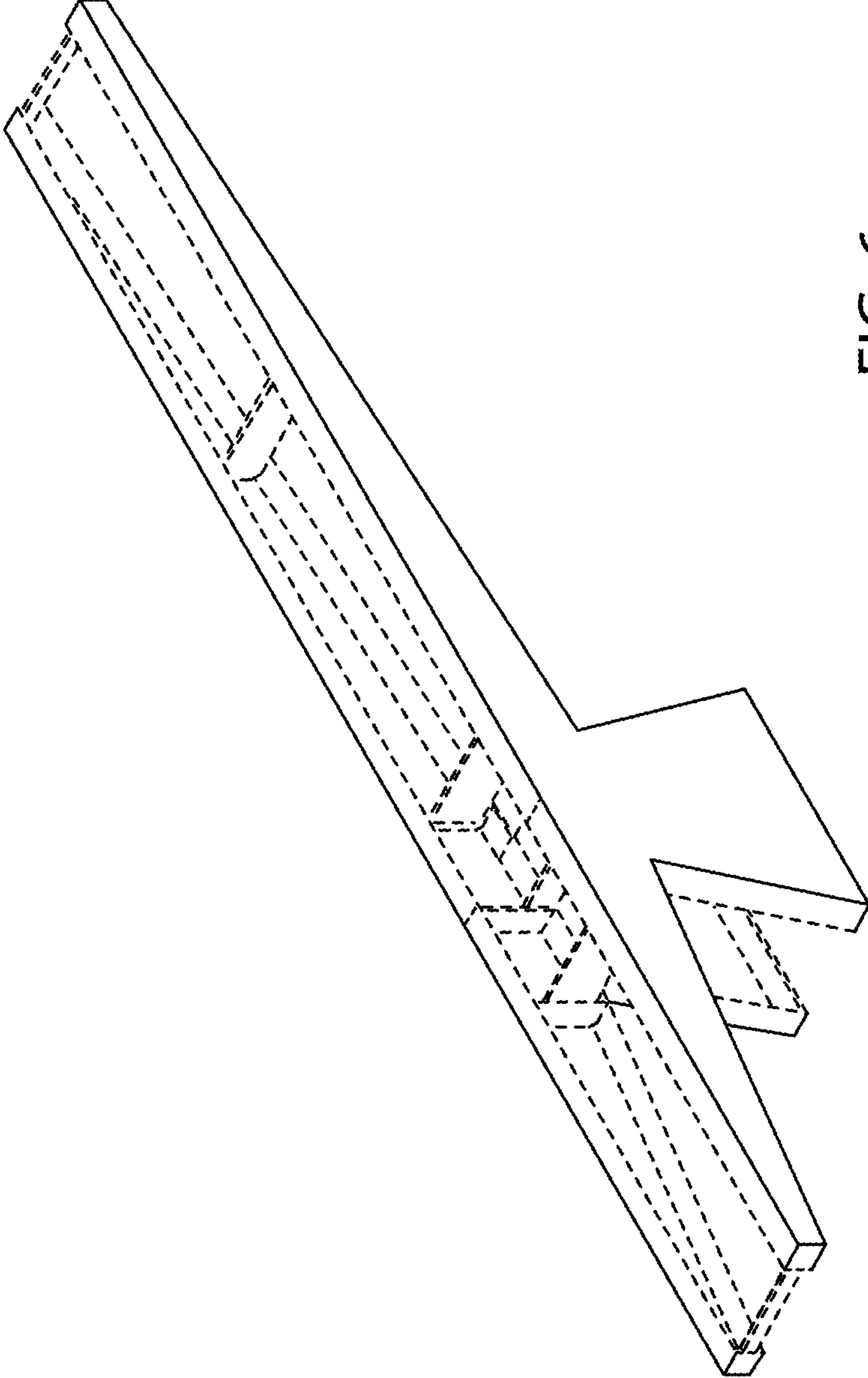


FIG. 6

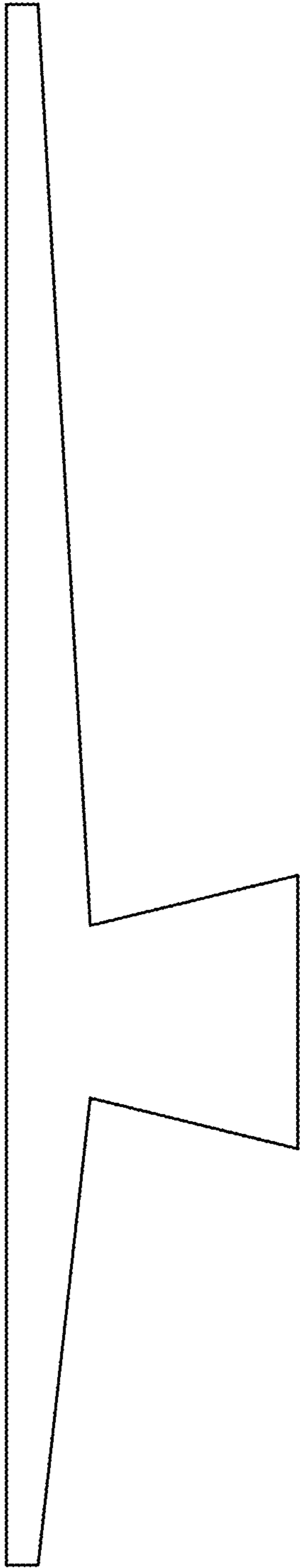


FIG. 7

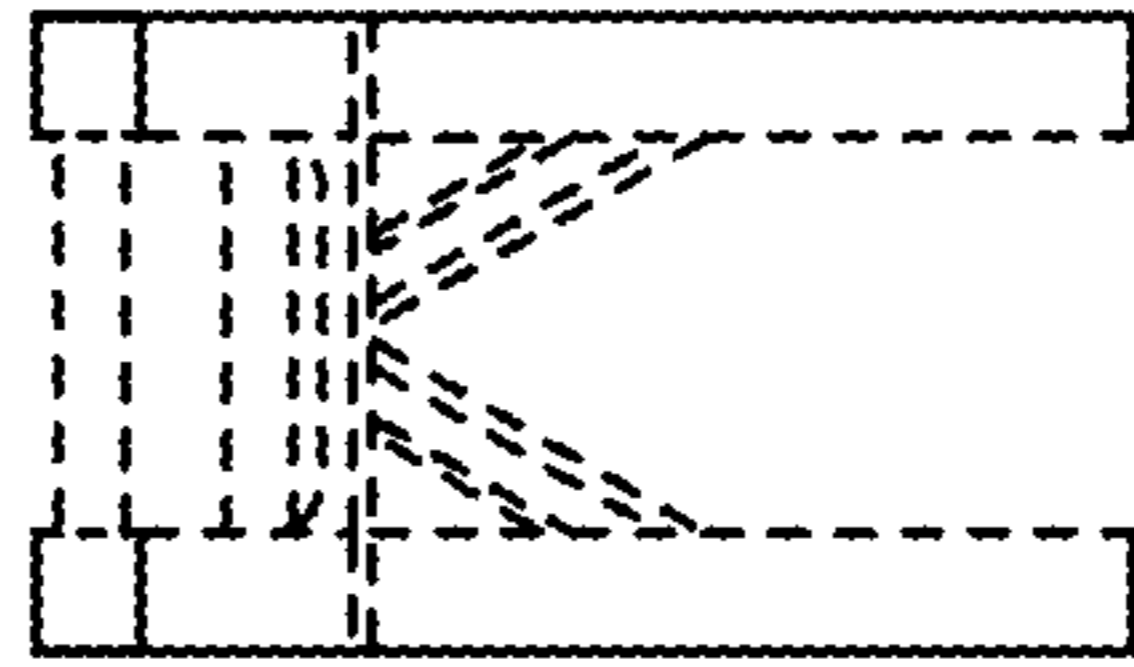


FIG. 8

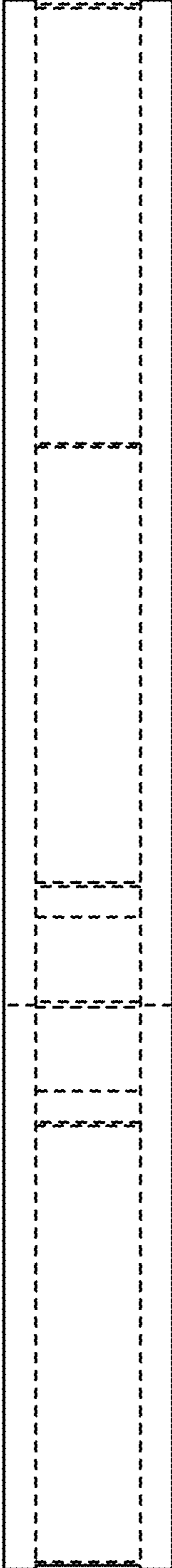


FIG. 9

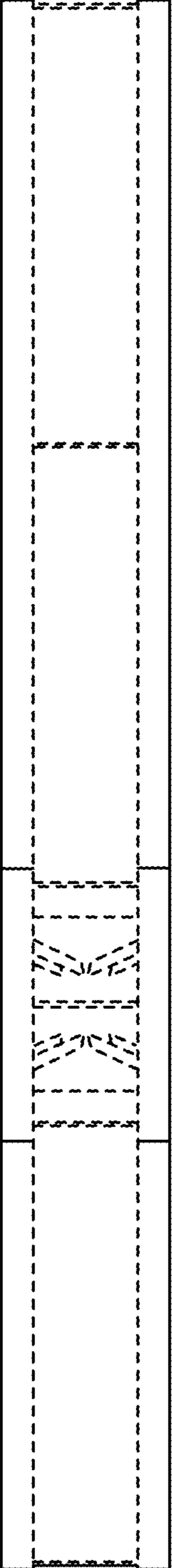


FIG. 10