



US00D776965S

(12) **United States Design Patent**
Anderson

(10) **Patent No.:** **US D776,965 S**

(45) **Date of Patent:** **** Jan. 24, 2017**

(54) **TUBULAR CROSS SECTION HORIZONTAL BEAM**

(71) Applicant: **TAIWAN SHIN YEH ENTERPRISE CO., LTD.**, Chia-Yi (TW)

(72) Inventor: **Kyle Anderson**, Elgin, IL (US)

(73) Assignee: **Taiwan Shin Yeh Enterprise Co., Ltd.**, Chia-Yi (TW)

(**) Term: **14 Years**

(21) Appl. No.: **29/518,453**

(22) Filed: **Feb. 24, 2015**

(51) **LOC (10) Cl.** **06-04**

(52) **U.S. Cl.**
USPC **D6/705**

(58) **Field of Classification Search**
USPC 211/88.01, 90.01, 187, 133.4; 403/402;
D8/325; D6/572-574, 672, 705-706,
D6/688.15, 677.2, 676.2, 718.25
CPC A47B 57/34; A47B 96/021; A47B 96/02;
A47B 96/028; A47B 2095/046
See application file for complete search history.

(56) **References Cited**

U.S. PATENT DOCUMENTS

D398,835 S *	9/1998	Coll	D8/354
6,930,886 B2 *	8/2005	Velez	H05K 7/1489
				211/187
D521,852 S *	5/2006	Hall	D8/354
D554,912 S *	11/2007	Sci'luna	D6/672
D556,976 S *	12/2007	Liautaud	D17/21
D567,635 S *	4/2008	Nankervis	D8/354
D568,648 S *	5/2008	Roussel	D6/705.1
D569,143 S *	5/2008	Liss	D6/705
D571,133 S *	6/2008	Liss	D6/705
D571,589 S *	6/2008	Liss	D6/705
D572,053 S *	7/2008	Liss	D6/712
D572,054 S *	7/2008	Liss	D6/712

D585,680 S *	2/2009	Liss	D6/705
D585,681 S *	2/2009	Liss	D6/705
D619,879 S *	7/2010	McCarthy	D8/354
D735,555 S *	8/2015	Tajdus	D8/354

(Continued)

Primary Examiner — Rosemary K. Tarcza

Assistant Examiner — James Thorn, Sr.

(74) *Attorney, Agent, or Firm* — Dinsmore & Shohl LLP

(57) **CLAIM**

The ornamental design for a tubular cross section horizontal beam, as shown and described.

DESCRIPTION

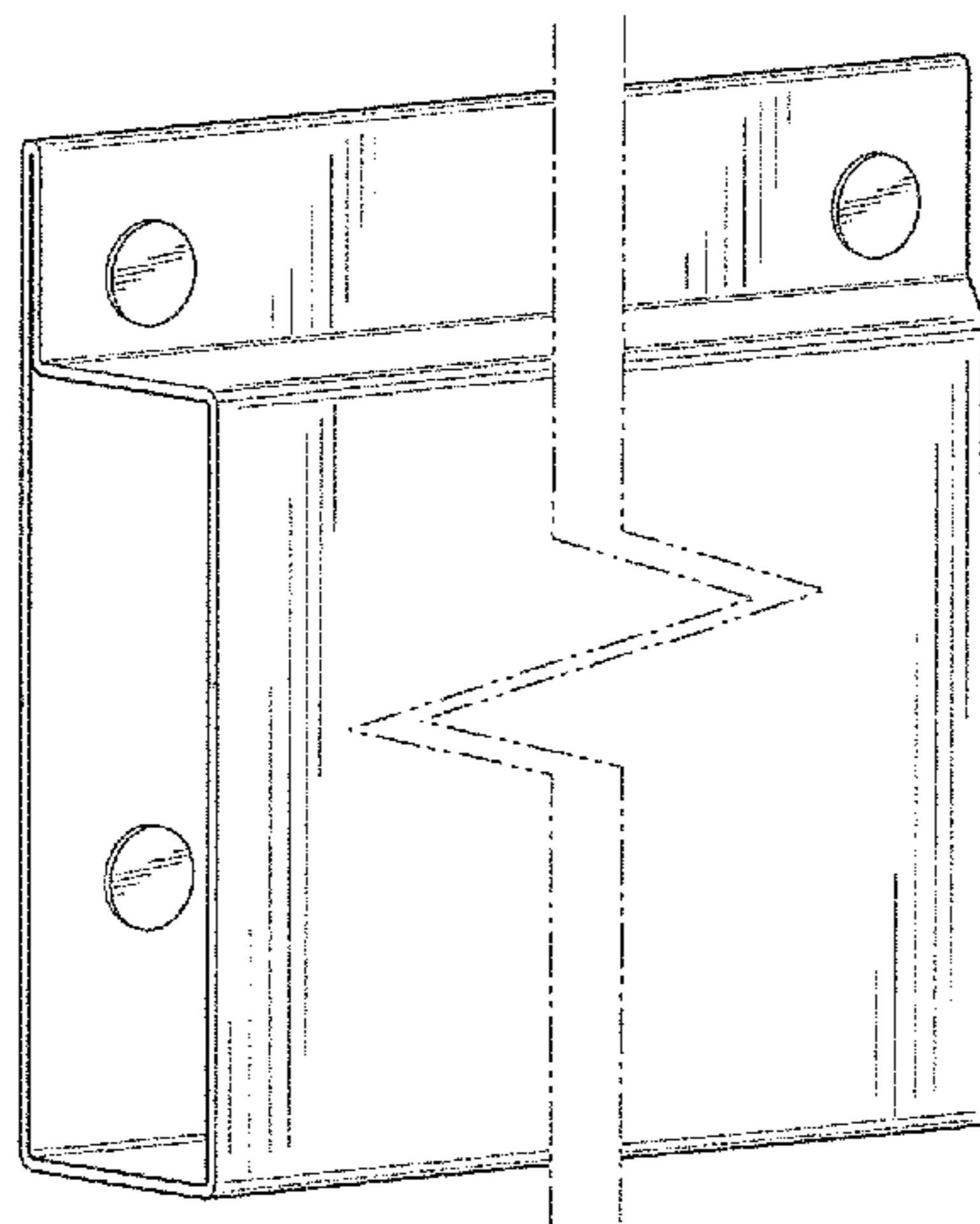
FIG. 1 is a front perspective view of a horizontal beam showing the claimed design;
 FIG. 2 is a rear perspective view of a horizontal beam showing the claimed design;
 FIG. 3 is a rear elevation view of a horizontal beam showing the claimed design;
 FIG. 4 is a front elevation view of a horizontal beam showing the claimed design;
 FIG. 5 is a left side elevation view of a horizontal beam showing the claimed design;
 FIG. 6 is a right side elevation view of a horizontal beam showing the claimed design;
 FIG. 7 is a top plan view of a horizontal beam showing the claimed design; and,
 FIG. 8 is a bottom plan view of a horizontal beam showing the claimed design.

The tubular cross section horizontal beam is shown with a symbolic break in its length. The appearance of any portion of the article between the break lines forms no part of the claimed design.

The broken lines in the figures depict environment only and form no part of the claimed design.

The dot-dot-dash broken line(s) define the bounds of the claimed design and form no part thereof.

1 Claim, 3 Drawing Sheets



(56)

References Cited

U.S. PATENT DOCUMENTS

D741,689 S * 10/2015 Metzler D8/349
D752,954 S * 4/2016 Lax D8/354
2014/0270979 A1* 9/2014 Cusson E02D 5/04
405/229
2016/0007739 A1* 1/2016 Shinozaki A47B 57/545
211/187
2016/0130797 A1* 5/2016 Bruce E04B 7/18
52/698

* cited by examiner

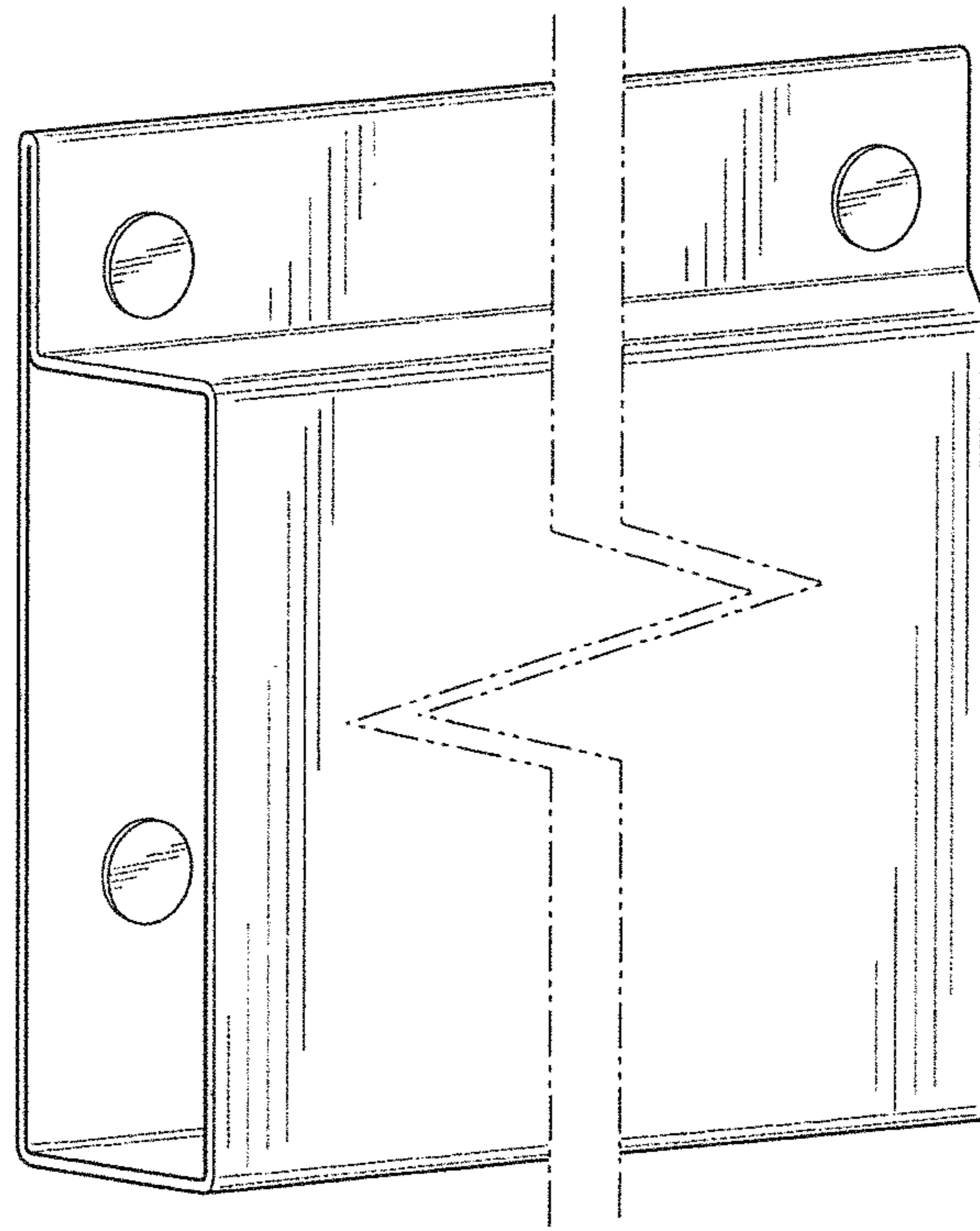


FIG. 1

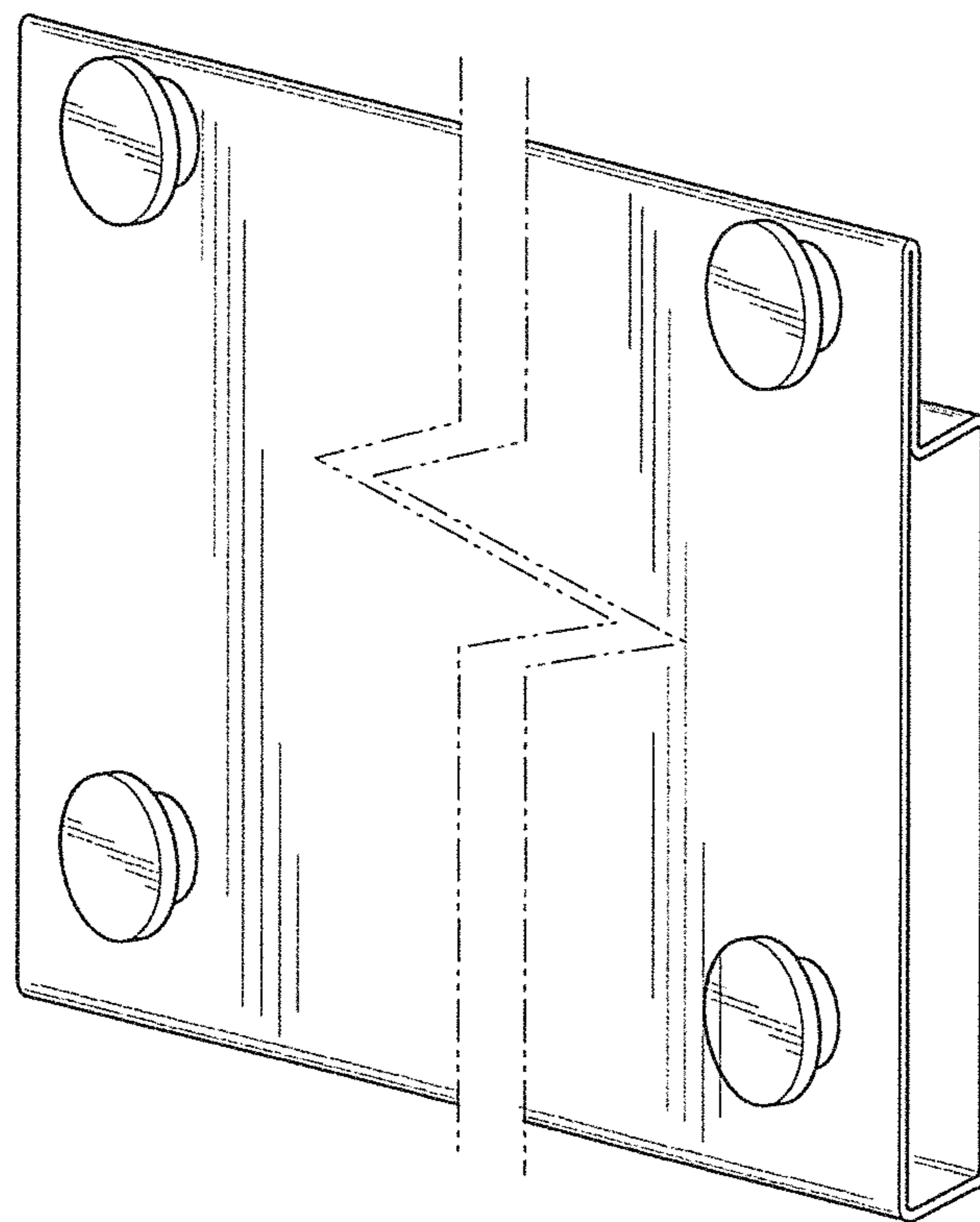


FIG. 2

FIG. 3

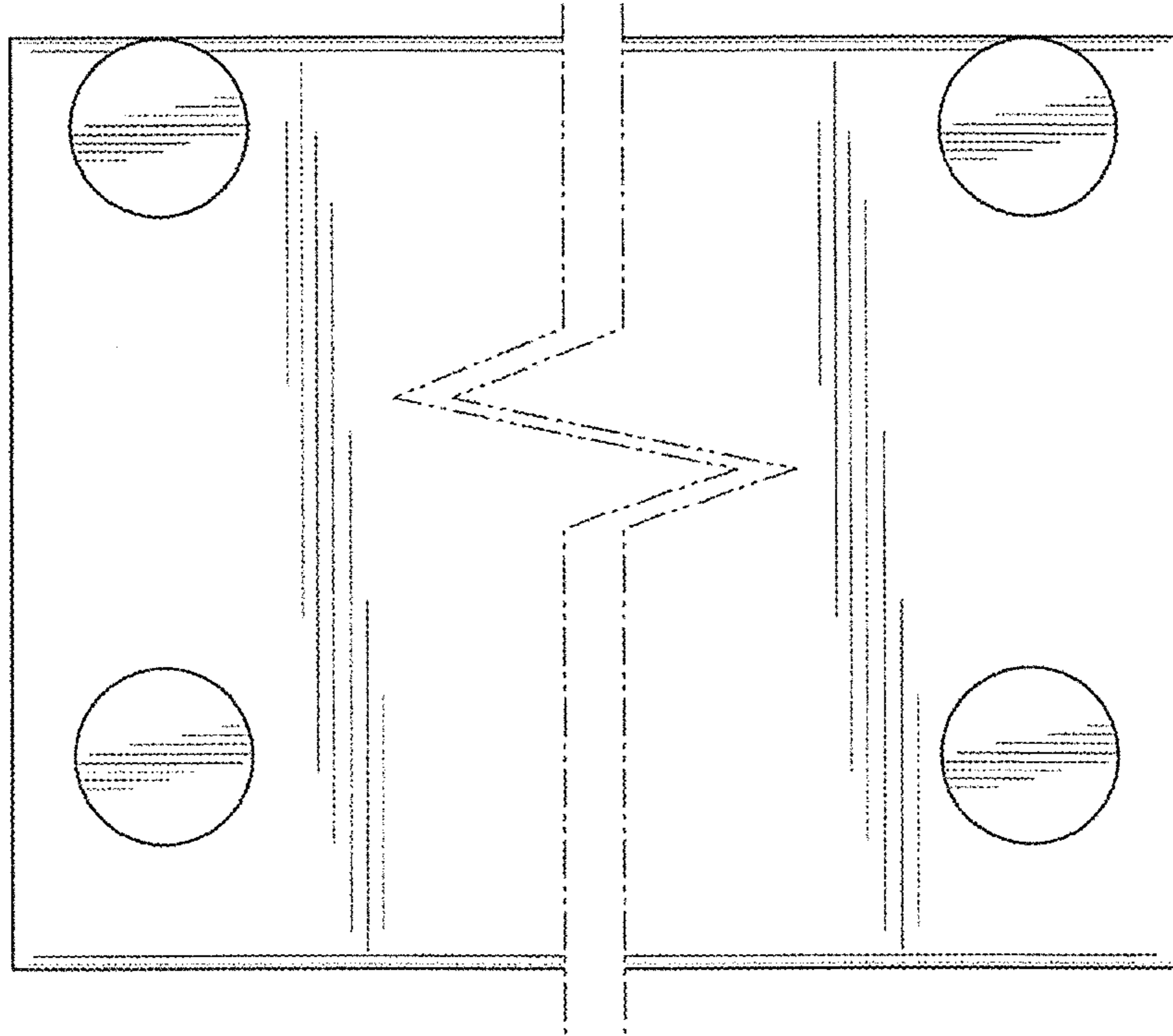
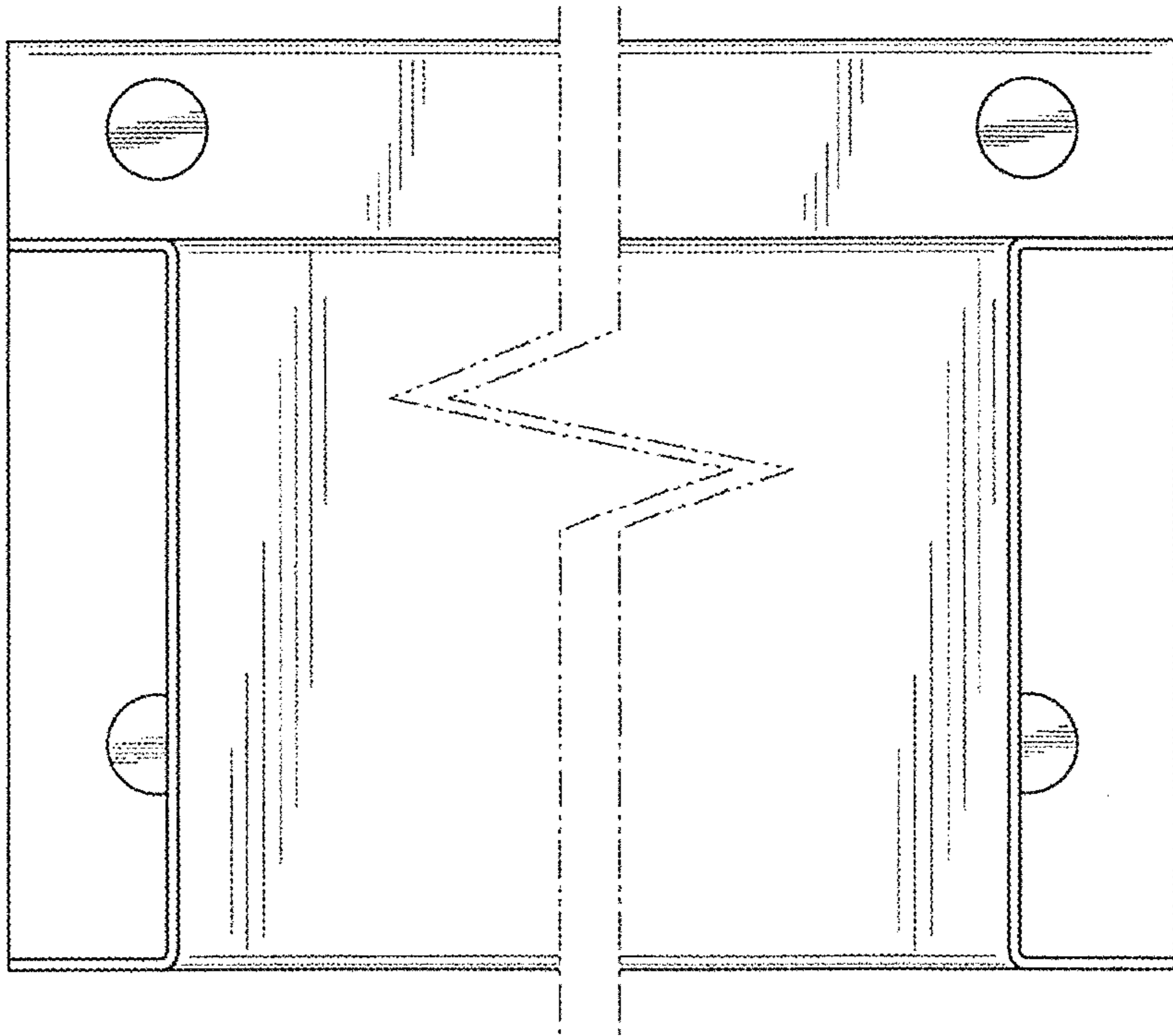


FIG. 4



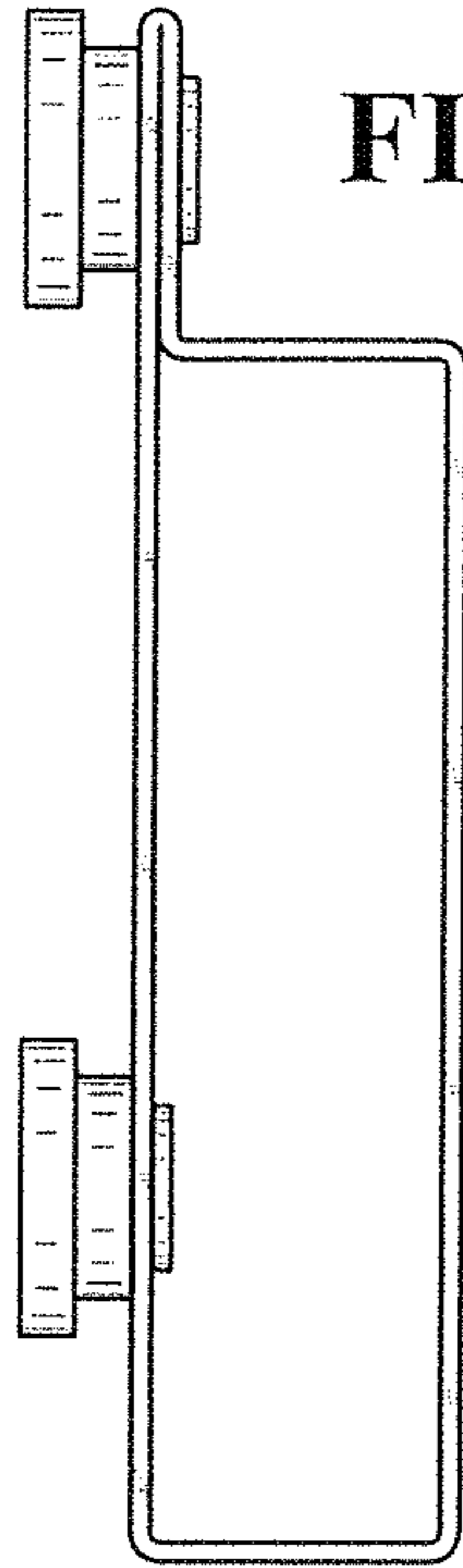


FIG. 5

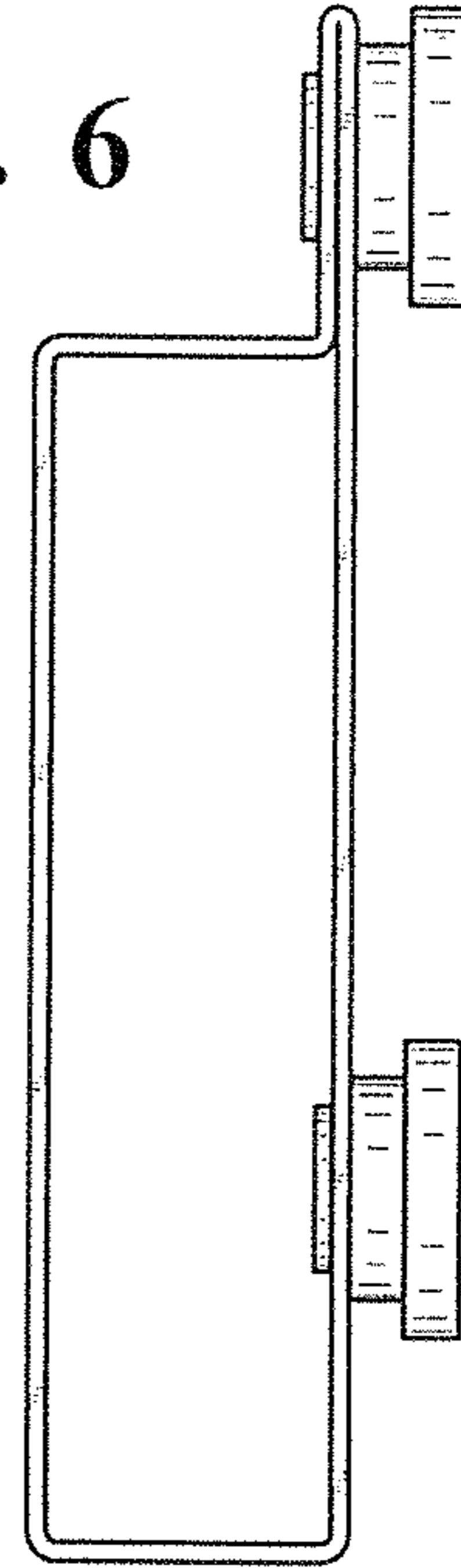


FIG. 6

FIG. 7

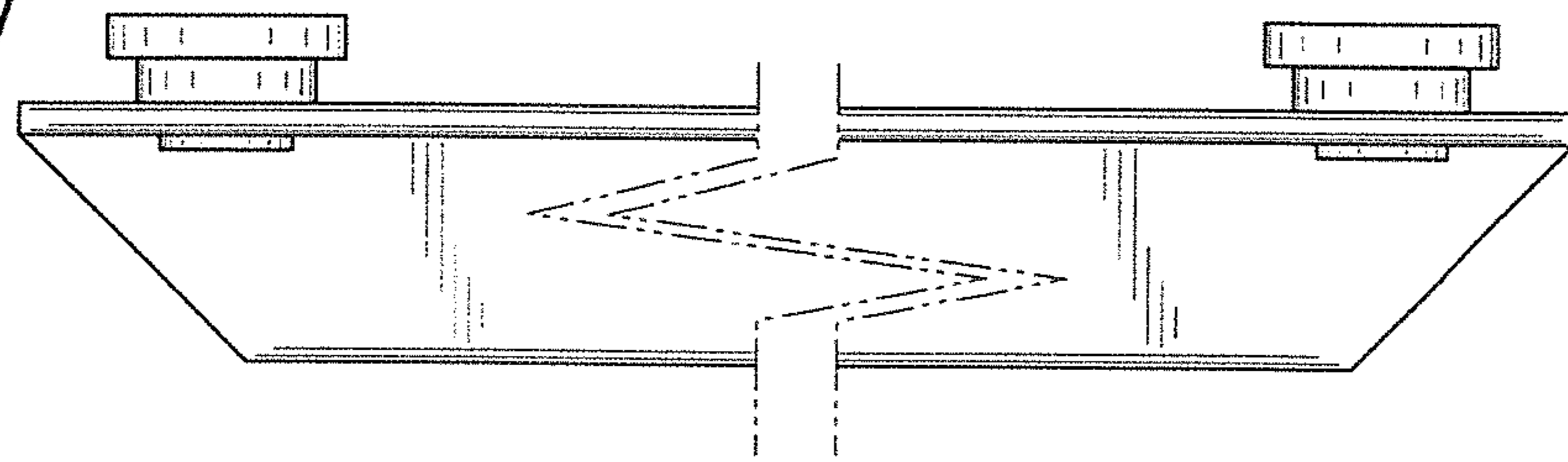


FIG. 8

