



US00D776964S

(12) **United States Design Patent**
Schweikarth

(10) **Patent No.:** **US D776,964 S**
(45) **Date of Patent:** **** Jan. 24, 2017**

- (54) **LOUNGE BASE END PORTION**
- (71) Applicant: **KIMBALL INTERNATIONAL, INC.**,
Jasper, IN (US)
- (72) Inventor: **Derek Schweikarth**, Celestine, IN (US)
- (73) Assignee: **Kimball International, Inc.**, Jasper, IN
(US)
- (**) Term: **15 Years**
- (21) Appl. No.: **29/527,851**
- (22) Filed: **May 22, 2015**
- (51) **LOC (10) Cl.** **06-04**
- (52) **U.S. Cl.**
USPC **D6/702**
- (58) **Field of Classification Search**
USPC D6/702, 710, 708.22, 370, 709, 334;
248/188; 108/155, 156
CPC A47C 3/0252; A47C 3/20; A47C 1/02;
A47C 1/12; A47C 17/00
See application file for complete search history.

(56) **References Cited**
U.S. PATENT DOCUMENTS

3,323,833	A	6/1967	Kasparian	
D244,732	S	6/1977	Introini	
D360,311	S	7/1995	Stamberg et al.	
D427,445	S	7/2000	Gomez	
D429,081	S	8/2000	Gomez	
D472,726	S *	4/2003	Calfa	D6/381
D493,039	S	7/2004	Ricci	
D494,376	S	8/2004	Natuzzi	
D521,269	S *	5/2006	Natuzzi	D6/381
D538,549	S	3/2007	Spear	
D541,075	S	4/2007	Natuzzi	
D542,545	S *	5/2007	Switzer	D6/334
D586,590	S	2/2009	Schweikarth et al.	
D587,918	S	3/2009	Bergman et al.	
D600,043	S	9/2009	Natuzzi	

D601,824	S *	10/2009	Dordoni	D6/381
D606,325	S *	12/2009	Gharabegian	D6/334
D615,315	S	5/2010	Andersen	
D615,316	S	5/2010	Andersen	
D616,215	S	5/2010	Andersen	
D639,083	S	6/2011	Martin	
D642,820	S *	8/2011	Andersen	D6/381
D645,672	S	9/2011	Lievore et al.	
D646,084	S	10/2011	Lievore et al.	
D649,796	S	12/2011	Lievore et al.	
D664,778	S *	8/2012	Pheasant	D6/334
D668,881	S *	10/2012	Sofield	D6/334
D668,892	S	10/2012	Metcalf et al.	
D671,341	S	11/2012	Metcalf et al.	
D676,680	S *	2/2013	Arko	D6/334
D676,683	S *	2/2013	Martin	D6/381

(Continued)

OTHER PUBLICATIONS

Global Seating, "Wind", dated at least as early as May 22, 2015.

Primary Examiner — Rosemary K Tarcza
Assistant Examiner — James Thorn, Sr.
(74) *Attorney, Agent, or Firm* — Faegre Baker Daniels
LLP

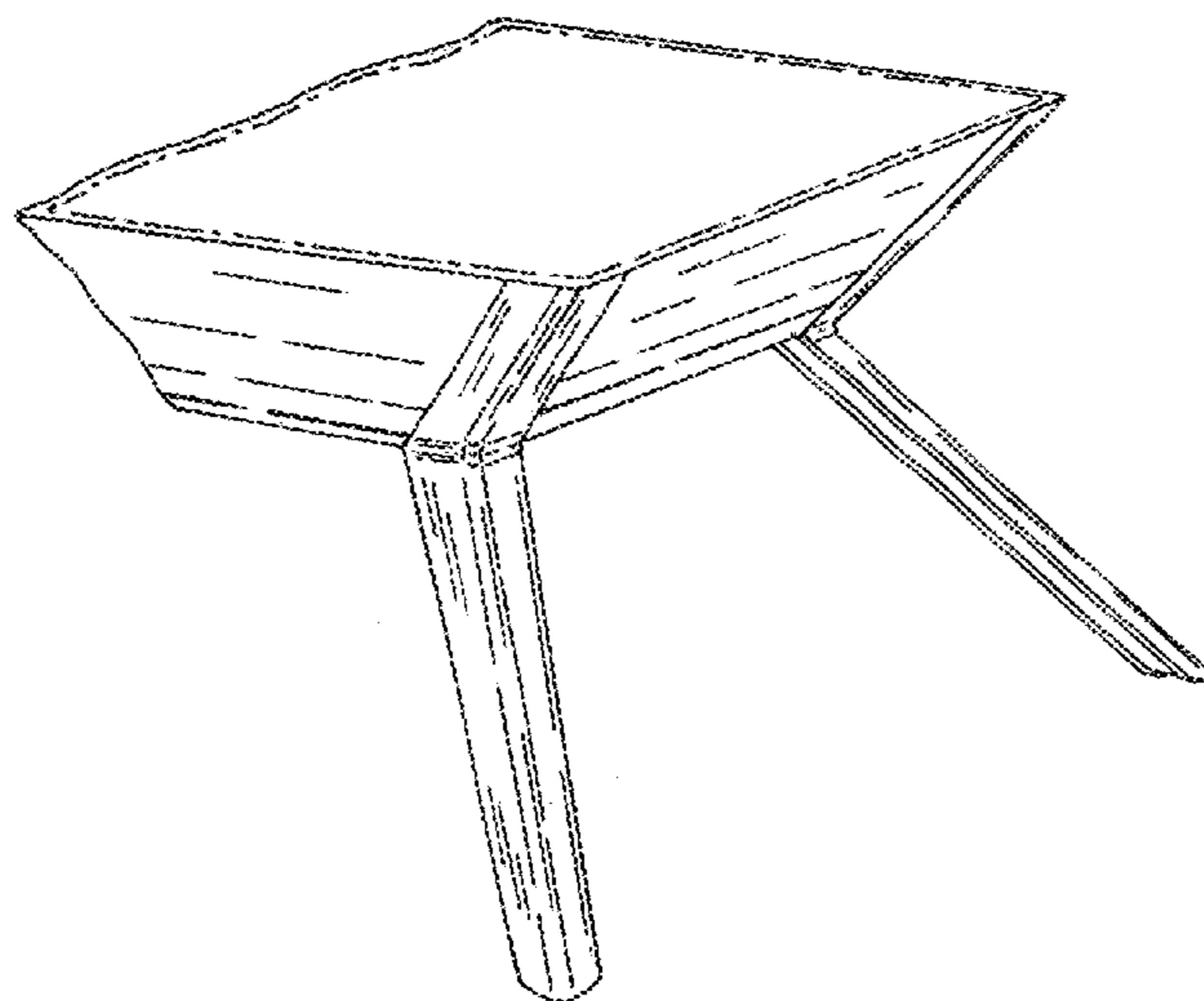
(57) **CLAIM**

The ornamental design for a lounge base end portion, as shown.

DESCRIPTION

FIG. 1 is a front perspective view of a lounge base end portion in accordance with my new design; FIG. 2 is a front view thereof; FIG. 3 is a side view thereof; and, FIG. 4 is a rear view thereof. The broken lines shown in the drawings are included for the purpose of illustrating unclaimed portions and form no part of the claimed design.

1 Claim, 2 Drawing Sheets



(56)

References Cited

U.S. PATENT DOCUMENTS

D677,911	S	3/2013	Hamilton et al.	
D680,347	S	4/2013	Metcalf et al.	
D689,725	S	9/2013	Hamilton et al.	
D699,451	S *	2/2014	Beucler	D6/334
D702,053	S	4/2014	Beucler et al.	
D703,960	S *	5/2014	Doyle	D6/334
D716,063	S *	10/2014	Garcia	D6/334
D718,949	S	12/2014	Meda	
D732,841	S *	6/2015	Garcia	D6/334
D751,838	S *	3/2016	Ciani	D6/381
2016/0143445	A1 *	5/2016	Li	A47C 4/021 297/440.16

* cited by examiner

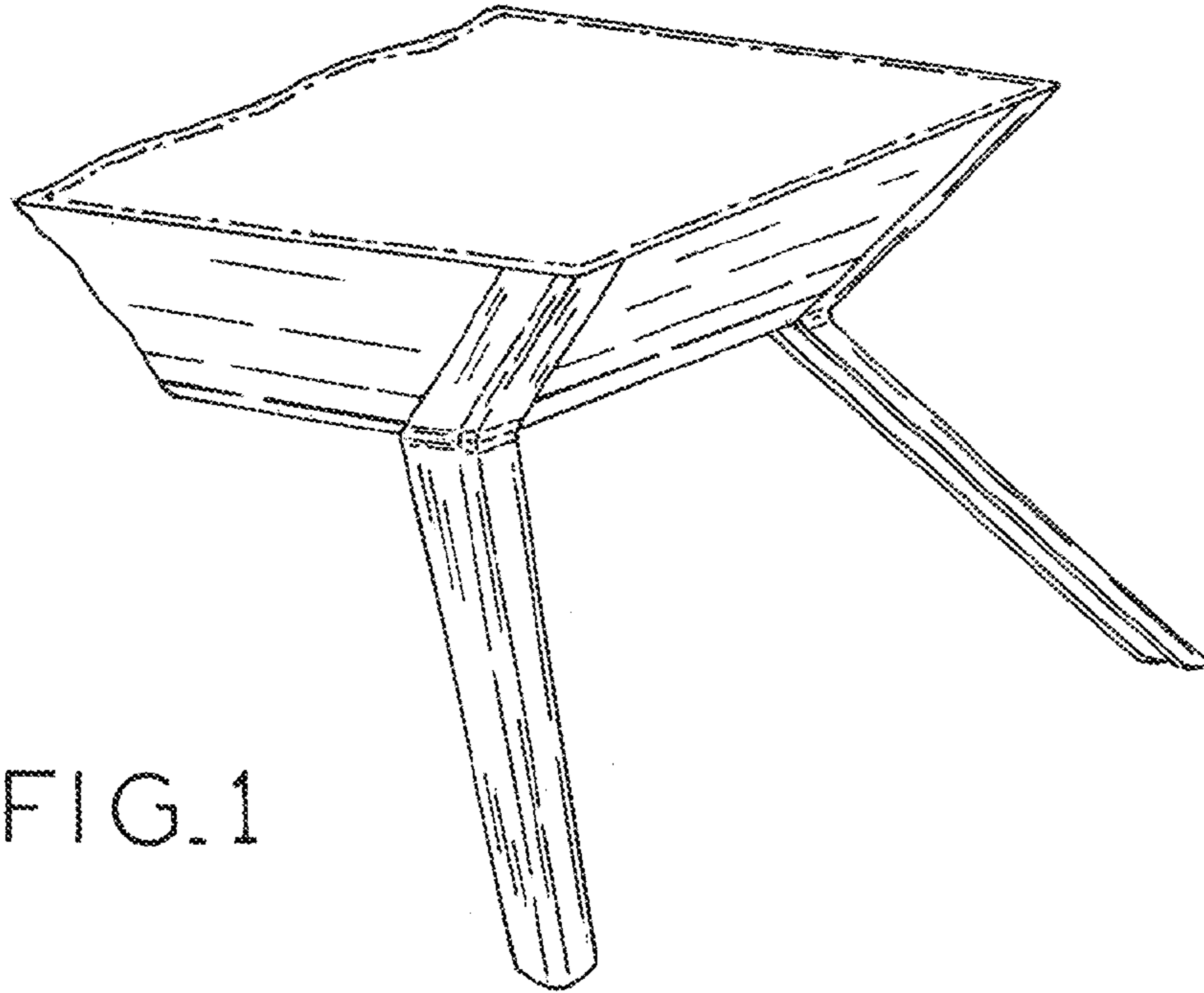


FIG. 1

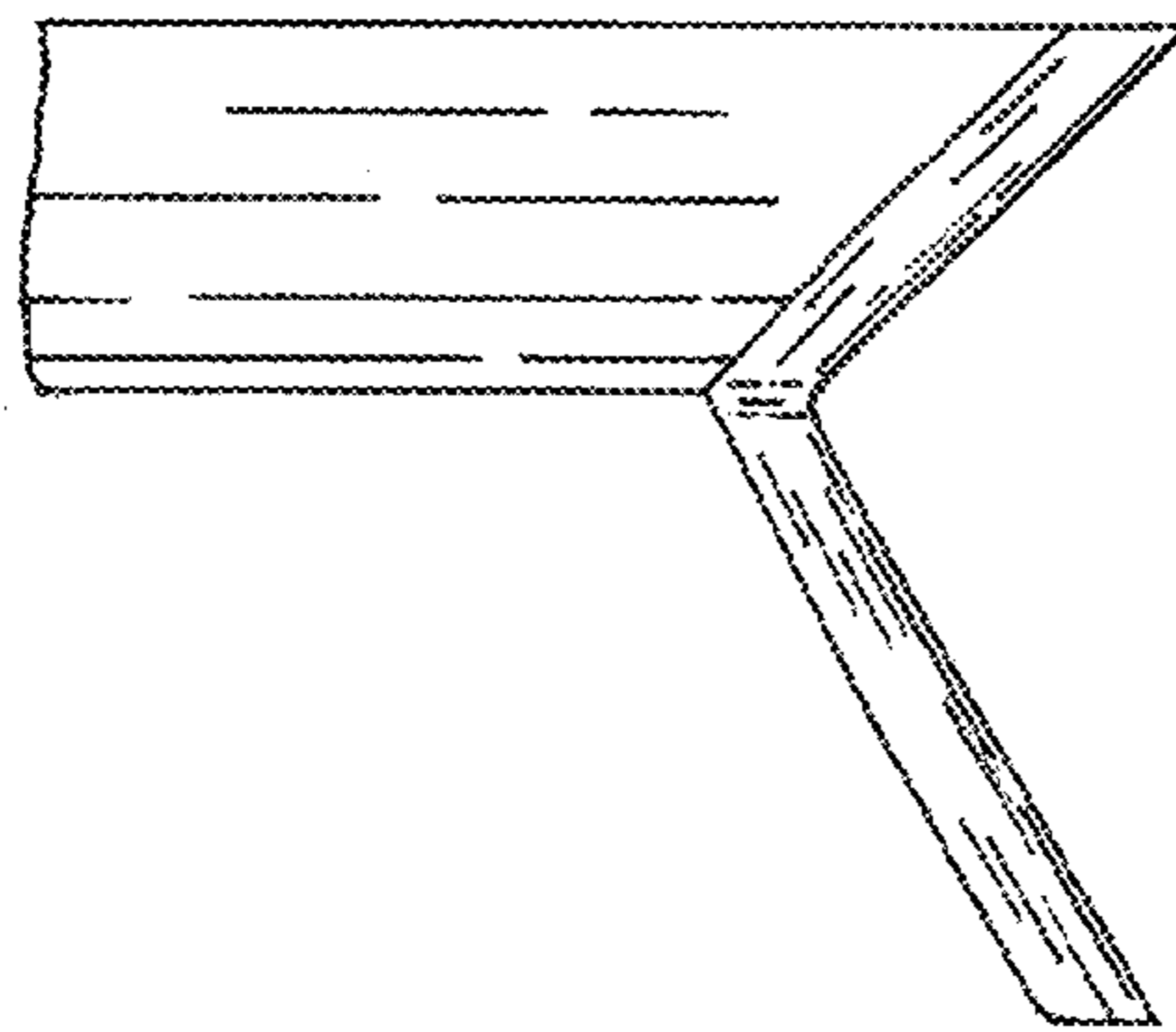


FIG. 2

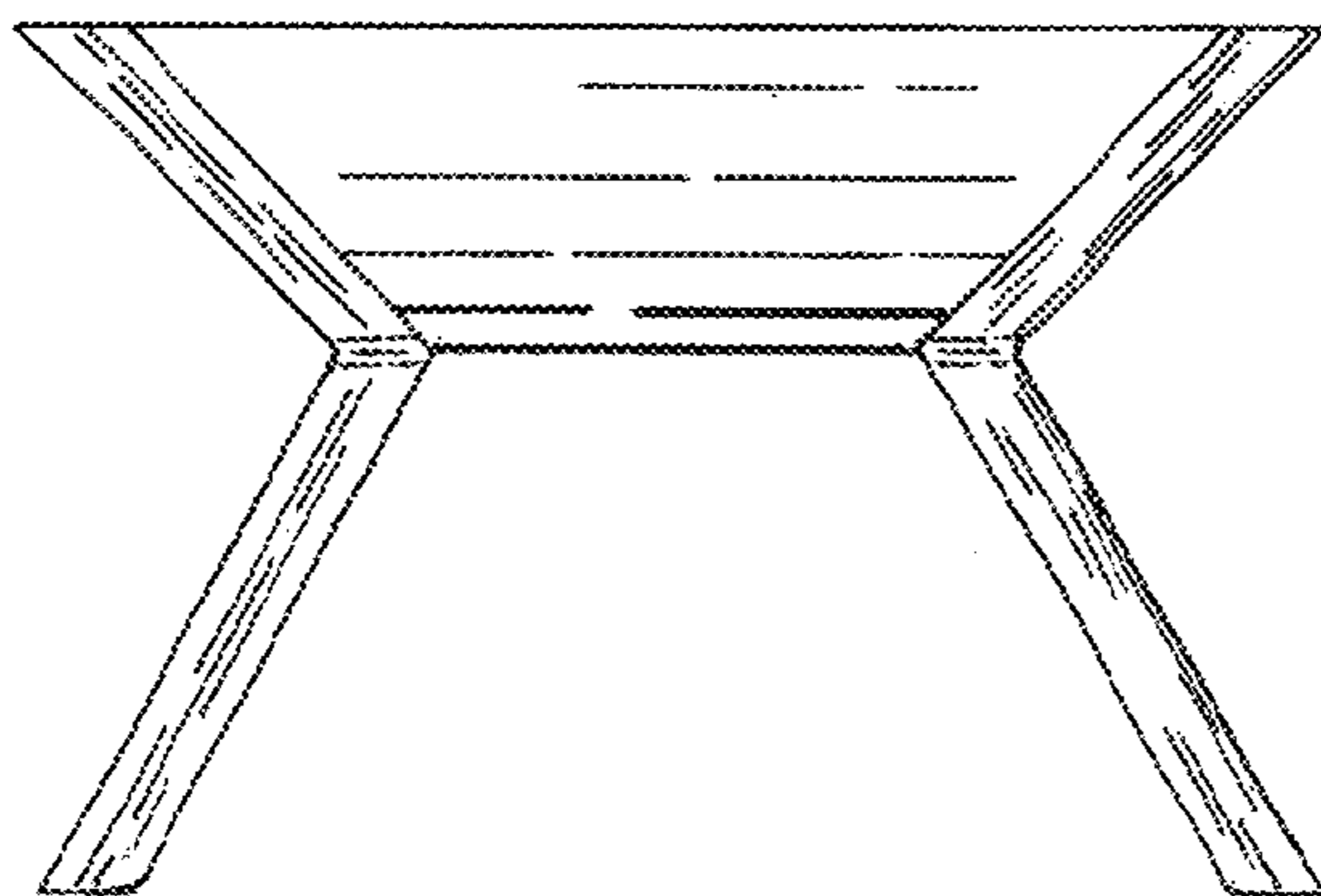


FIG. 3

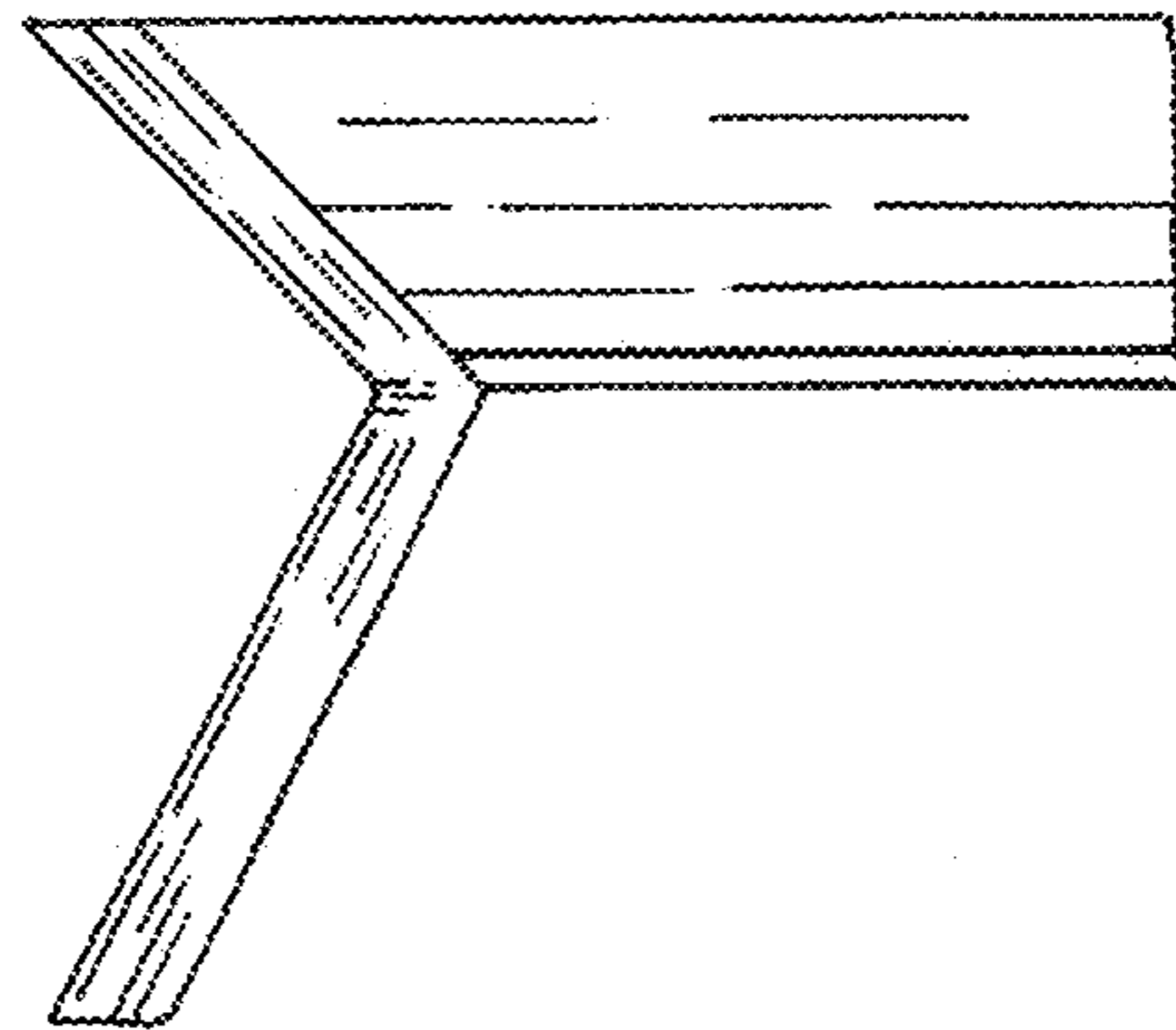


FIG. 4