



US00D776961S

(12) **United States Design Patent**
Yamamoto

(10) **Patent No.:** **US D776,961 S**

(45) **Date of Patent:** **** Jan. 24, 2017**

(54) **DESK**

(71) Applicant: **OKAMURA CORPORATION**,
Yokohama-shi, Kanagawa (JP)

(72) Inventor: **Takayuki Yamamoto**, Yokohama (JP)

(73) Assignee: **Okamura Corporation**, Kanagawa (JP)

(**) Term: **14 Years**

(21) Appl. No.: **29/521,881**

(22) Filed: **Mar. 26, 2015**

(30) **Foreign Application Priority Data**

Sep. 30, 2014 (JP) 2014-021765

(51) **LOC (10) Cl.** **06-03**

(52) **U.S. Cl.**
USPC **D6/656.16**

(58) **Field of Classification Search**

USPC D6/641, 644, 648, 648.2, 648.4, 649,
D6/650, 651, 651.1, 653.21, 654, 654.21,
D6/655, 655.1, 655.14, 655.21, 656,
D6/656.16, 656.17, 672, 675, 675.3, 685,
D6/691, 691.3, 691.5, 691.9, 695, 695.1,
D6/696, 697, 698, 705, 332, 555, 643,
D6/643.1, 707, 707.18, 707.22
CPC A47B 1/08; A47B 7/00; A47B 9/00;
A47B 9/06; A47B 9/12; A47B
9/16; A47B 9/20; A47B 21/00; A47B
21/02; A47B 21/04; A47B 13/088; A47B
13/10; A47B 21/0314; A47B 2021/0321;
A47B 2021/0364; A47B 9/10; A47B 9/14
See application file for complete search history.

(56) **References Cited**

U.S. PATENT DOCUMENTS

D303,882 S * 10/1989 Sottsas D6/652
D399,077 S * 10/1998 Lepper D6/656.16
D512,587 S * 12/2005 Frenkler D6/691.5
D574,634 S * 8/2008 Saotome D6/656.17

D577,517 S * 9/2008 Kumazawa D6/656.16
7,661,292 B2 * 2/2010 Buitmann A47B 9/00
73/12.01
D644,044 S * 8/2011 Kitajima D6/656.17
RE42,666 E * 9/2011 Saotome D6/656.17
D675,042 S * 1/2013 Mecherle D6/691
D710,133 S * 8/2014 Scharer D6/656.17
D719,767 S * 12/2014 Scharer D6/656.17

(Continued)

OTHER PUBLICATIONS

‘Adjustable Height Desks Break the Monotony At the Office’.
strongproject.com [online]. Jan. 8, 2014 [retrieved Aug. 11, 2016].
Retrieved from the Internet: <URL: <http://strongproject.com/blog/adjustable-height-desks-break-the-monotony-at-the-office/>>.*

(Continued)

Primary Examiner — Mary Ann Calabrese

Assistant Examiner — Megan M Majcher Hartnett

(74) *Attorney, Agent, or Firm* — Sughrue Mion, PLLC

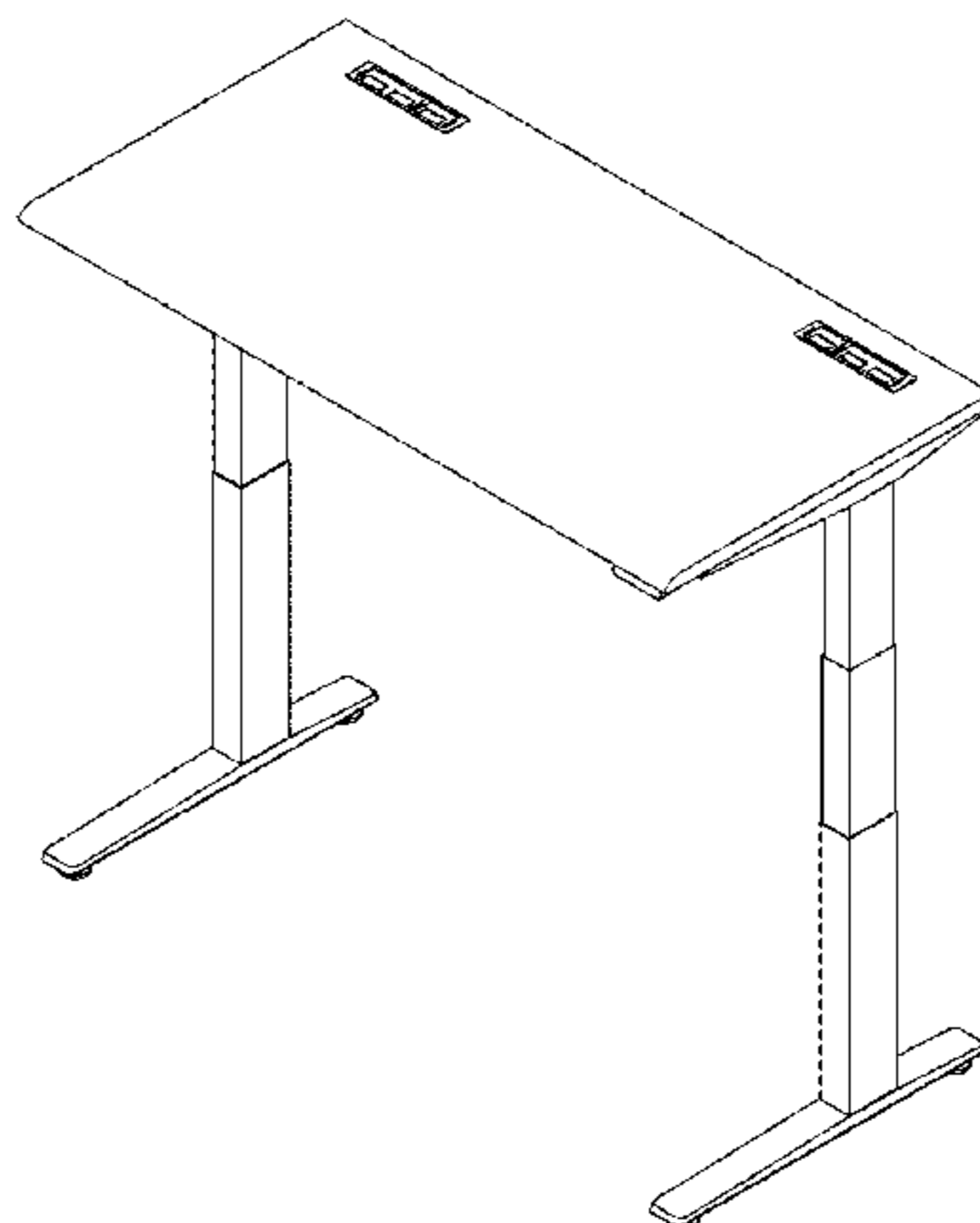
(57) **CLAIM**

The ornamental design for a desk, as shown and described.

DESCRIPTION

FIG. 1 is a perspective view of a desk.
FIG. 2 is a front elevation view thereof.
FIG. 3 is a rear elevation view thereof.
FIG. 4 is a right side elevation view thereof. A left side
elevation view is a mirror image of the right side elevation
view.
FIG. 5 is a top plan view thereof.
FIG. 6 is a bottom plan view thereof.
FIG. 7 is a cross-sectional view taken along the line 7-7 in
FIG. 2.
FIG. 8 is a cross-sectional view taken along the line 8-8 in
FIG. 2.
FIG. 9 is a cross-sectional view taken along the line 9-9 in
FIG. 4; and,
FIG. 10 is a perspective view of the desk in an alternate
lower position.

1 Claim, 10 Drawing Sheets



(56)

References Cited

U.S. PATENT DOCUMENTS

9,038,549 B1 * 5/2015 Zebarjad A47B 9/02
108/147
D732,317 S * 6/2015 Chang D6/656.17
9,236,817 B2 * 1/2016 Strothmann A47B 9/20
9,332,839 B2 * 5/2016 Ringlein A47B 87/002
2013/0199420 A1 * 8/2013 Hjelm A47B 9/00
108/20
2013/0204438 A1 * 8/2013 Hjelm G05B 15/02
700/275
2014/0096706 A1 * 4/2014 Labrosse A47B 21/02
108/21
2016/0113391 A1 * 4/2016 Wang A47B 21/02
248/605
2016/0170402 A1 * 6/2016 Lindstrom A47B 9/00
700/275

OTHER PUBLICATIONS

Wang, Lucy. 'NextDesk Encore is an adjustable standing desk made with sustainably sourced materials'. inhabitat.com [online]. Sep. 28, 2015 [retrieved Aug. 11, 2016]. Retrieved from the Internet: <URL: <http://inhabitat.com/nextdesk-encore-is-an-adjustable-standing-desk-made-with-sustainably-sourced-materials/?newgallery=false>>.*

'Workrite Sierra HX Adjustable Height Desk—Rectangular'. thehumansolution.com [online]. Mar. 15, 2010 [retrieved Aug. 11, 2016]. Retrieved from the Internet: <URL: <http://www.thehumansolution.com/workrite-sierra-rectangle.html>>.*

'Steelcase Ology Standing Desk'. standupdesk.com [online]. Undated [retrieved Aug. 11, 2016]. Retrieved from the Internet: <URL: <http://www.standupdesk.org/product/steelcase-ology-standing-desk/>>.*

* cited by examiner

FIG. 1

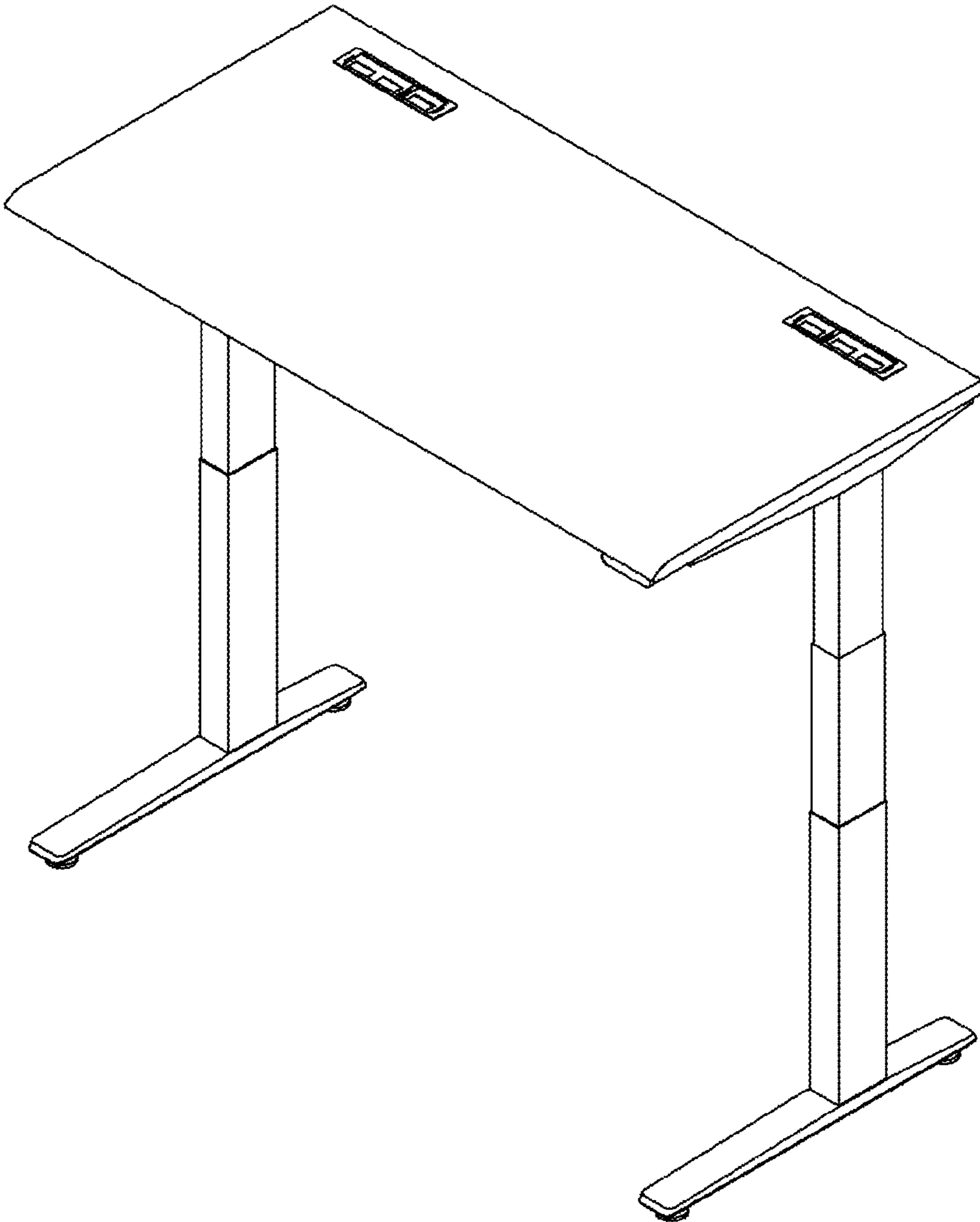


FIG. 2

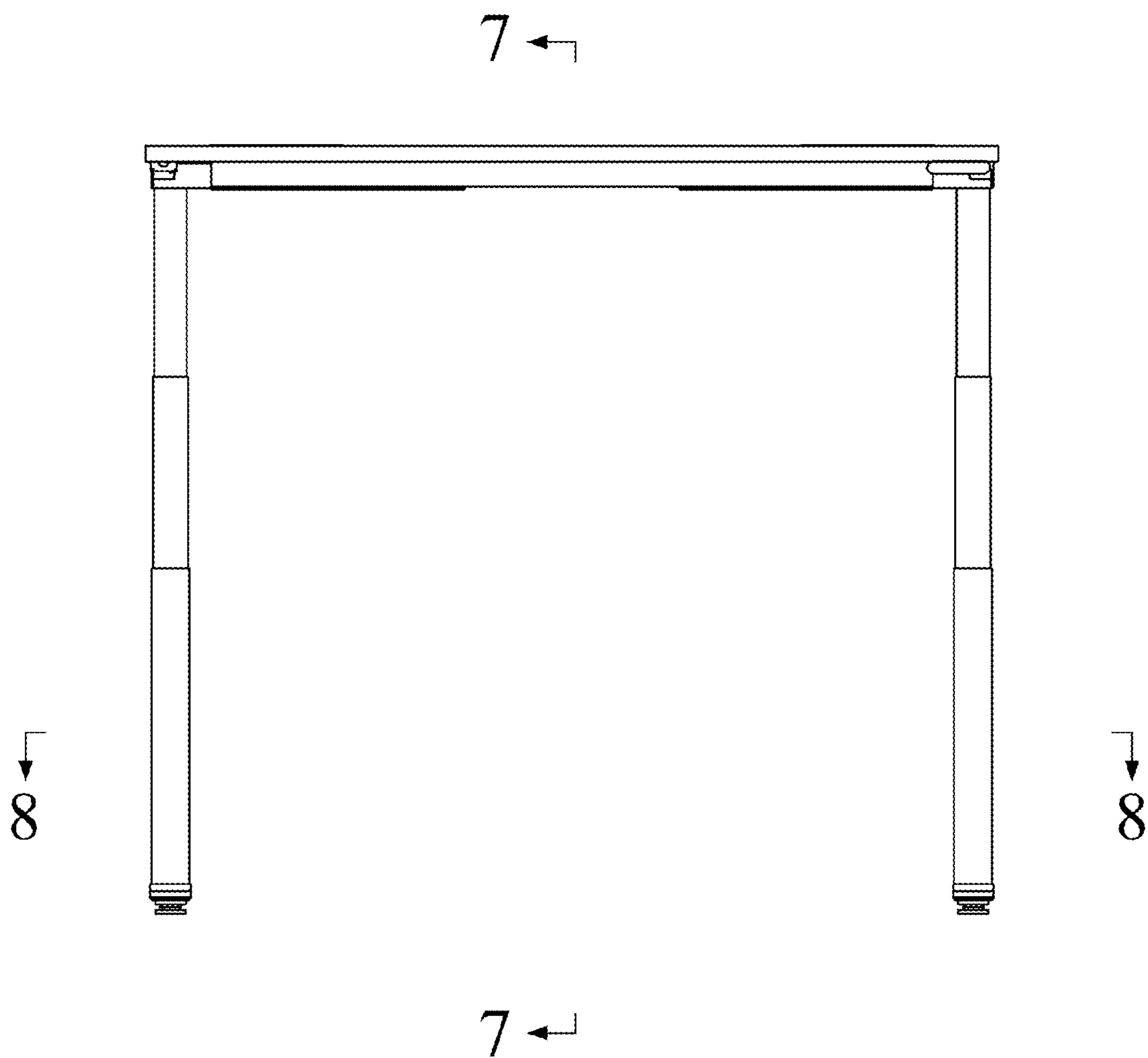


FIG. 3

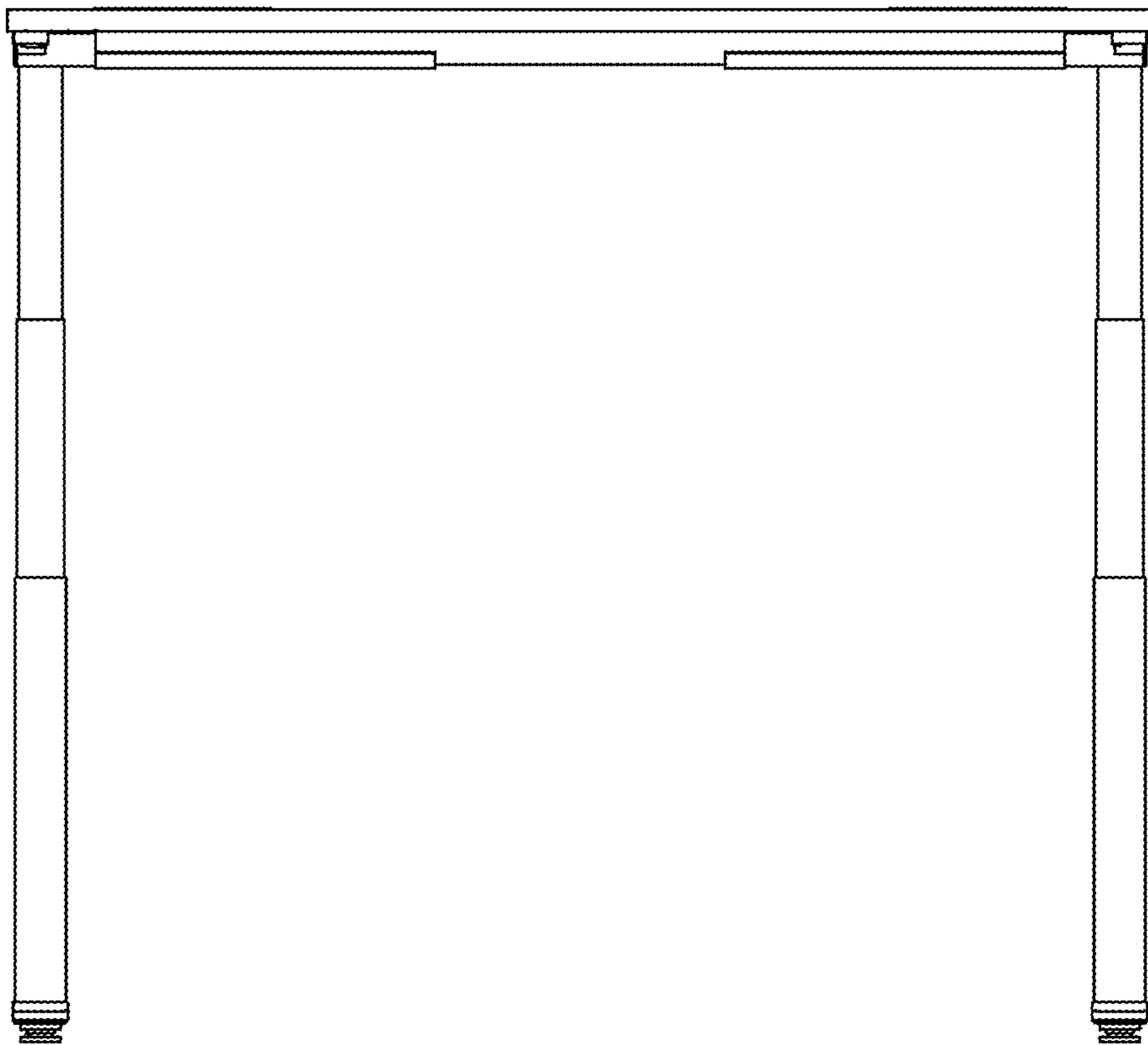
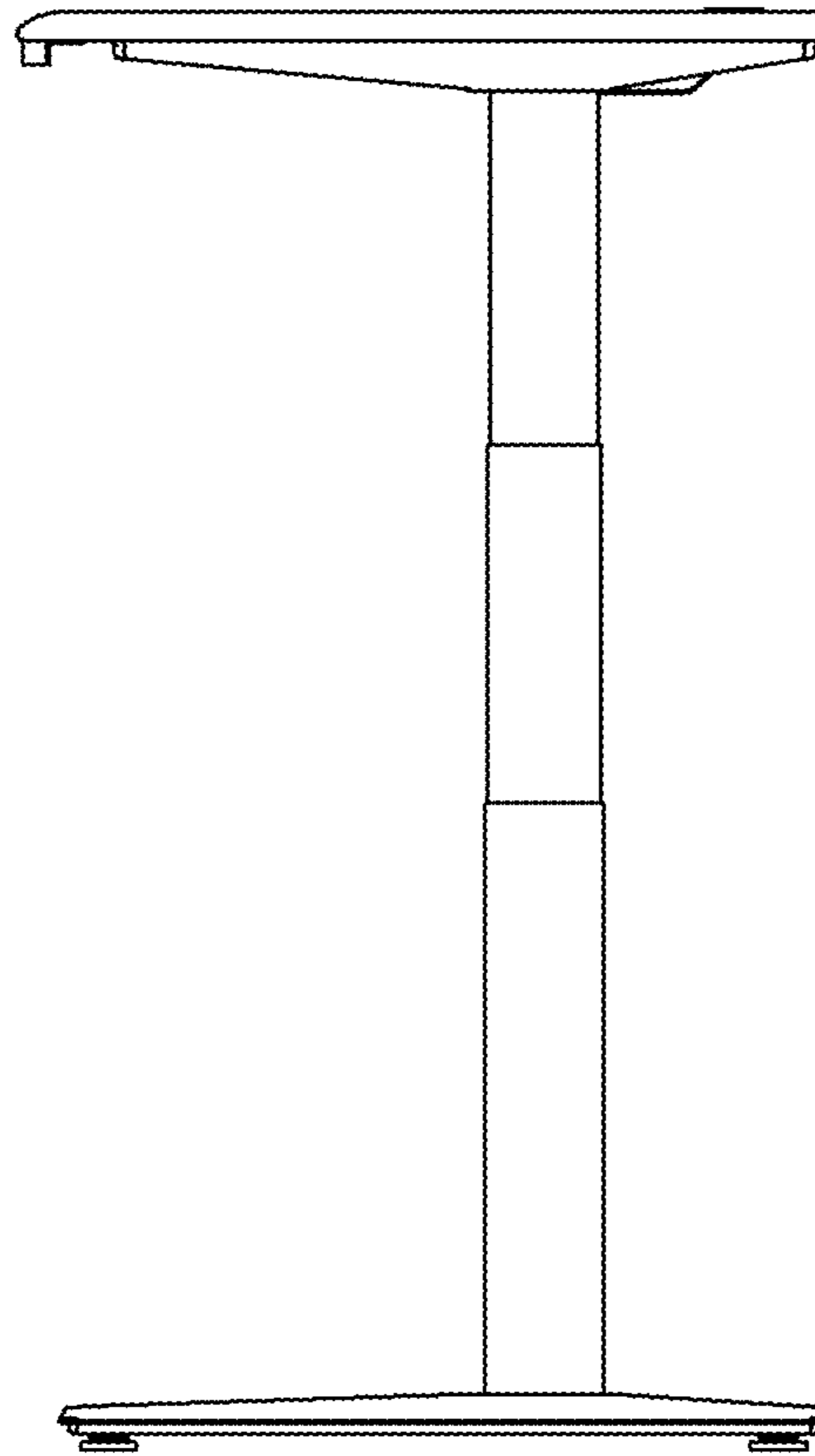


FIG. 4

9 ←



9 ←

FIG. 5

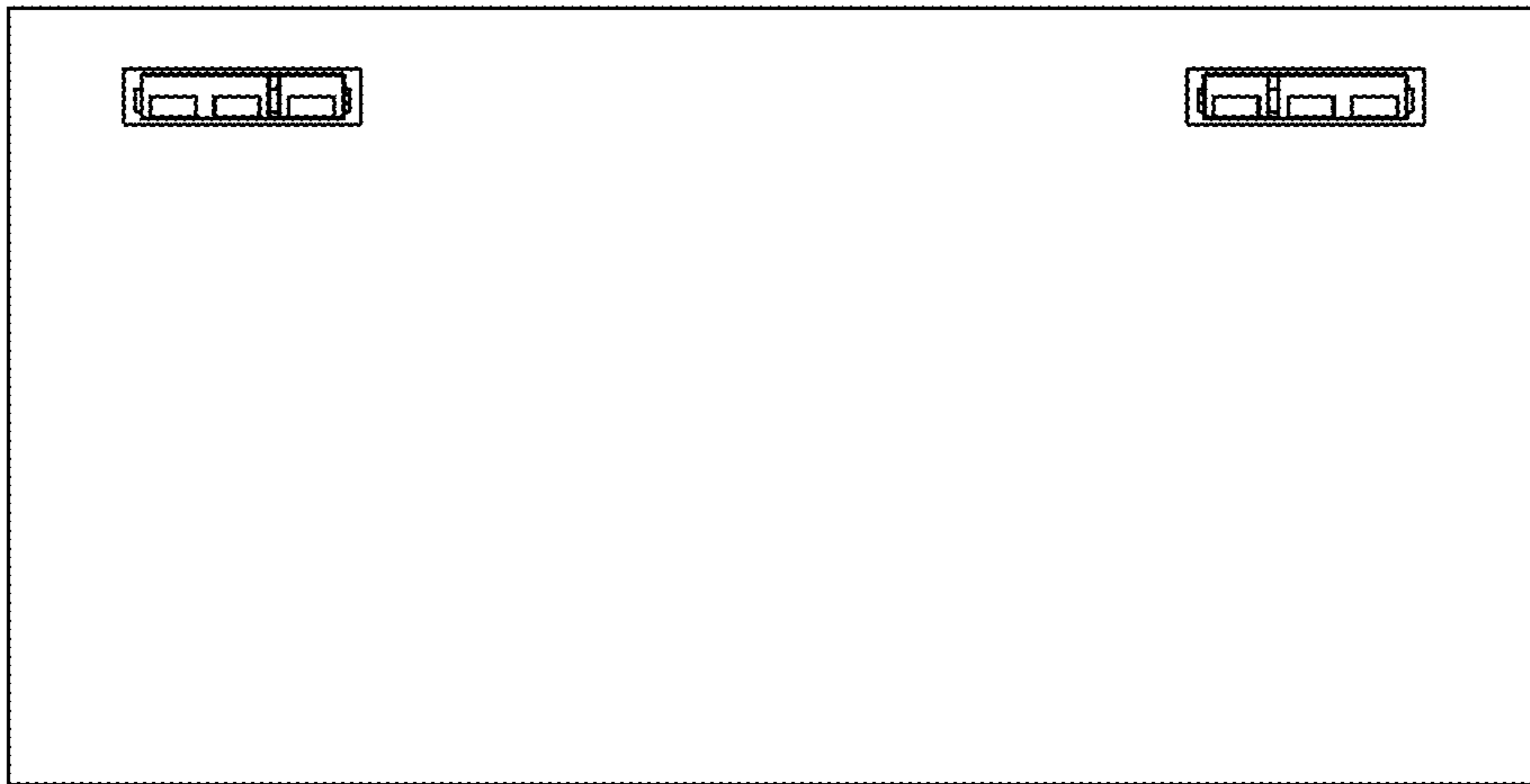


FIG. 6

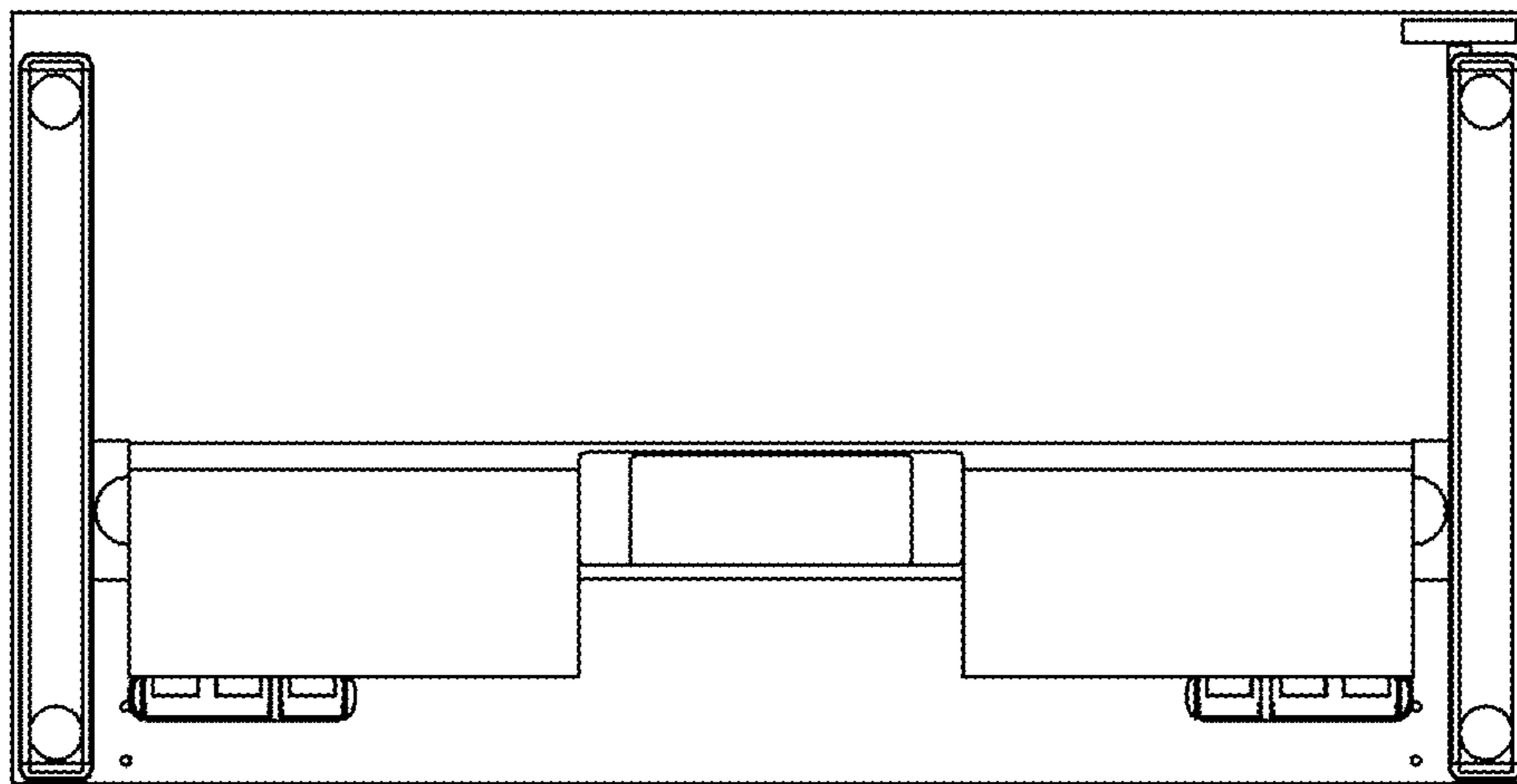


FIG. 7

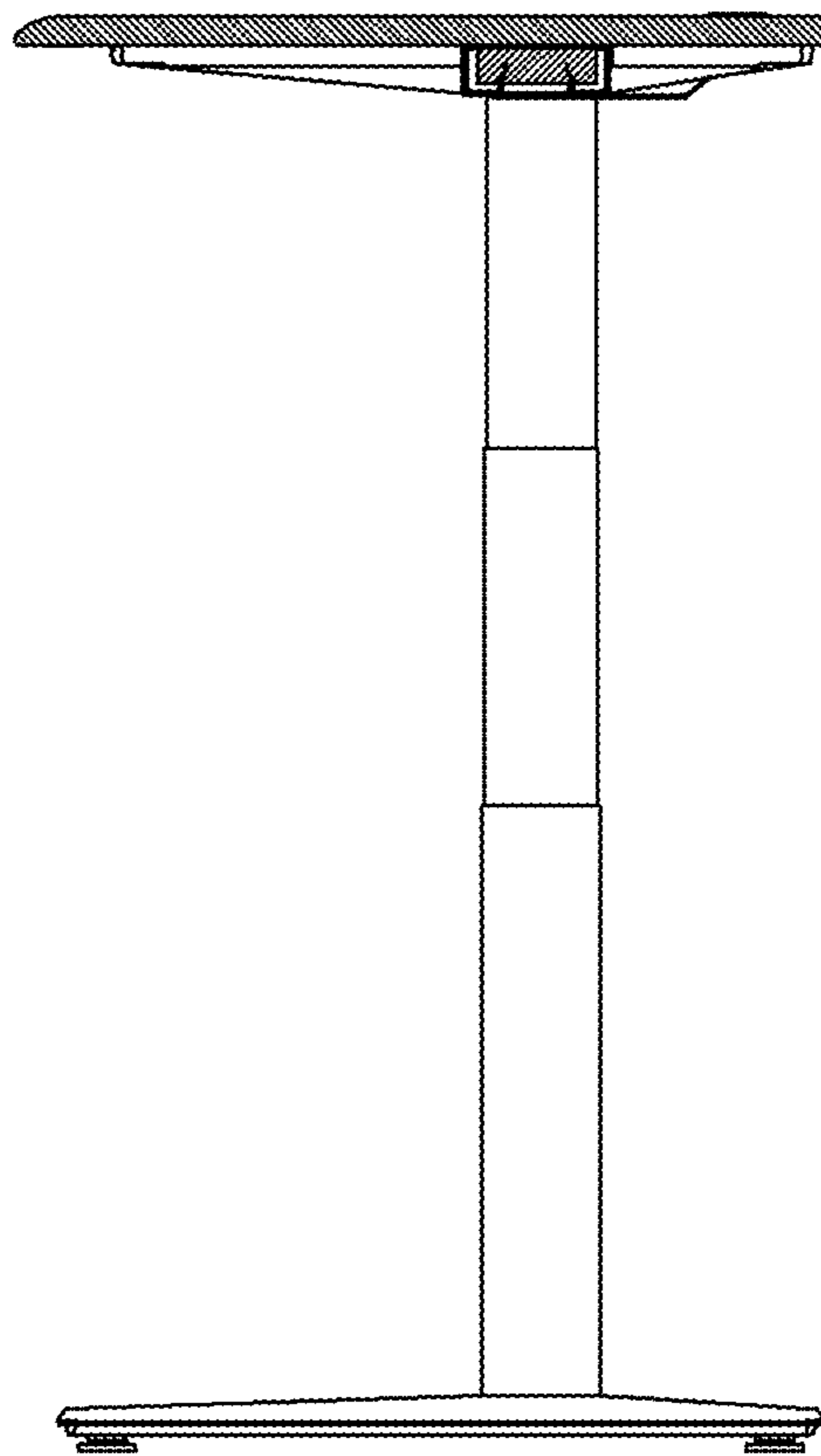


FIG. 8



FIG. 9

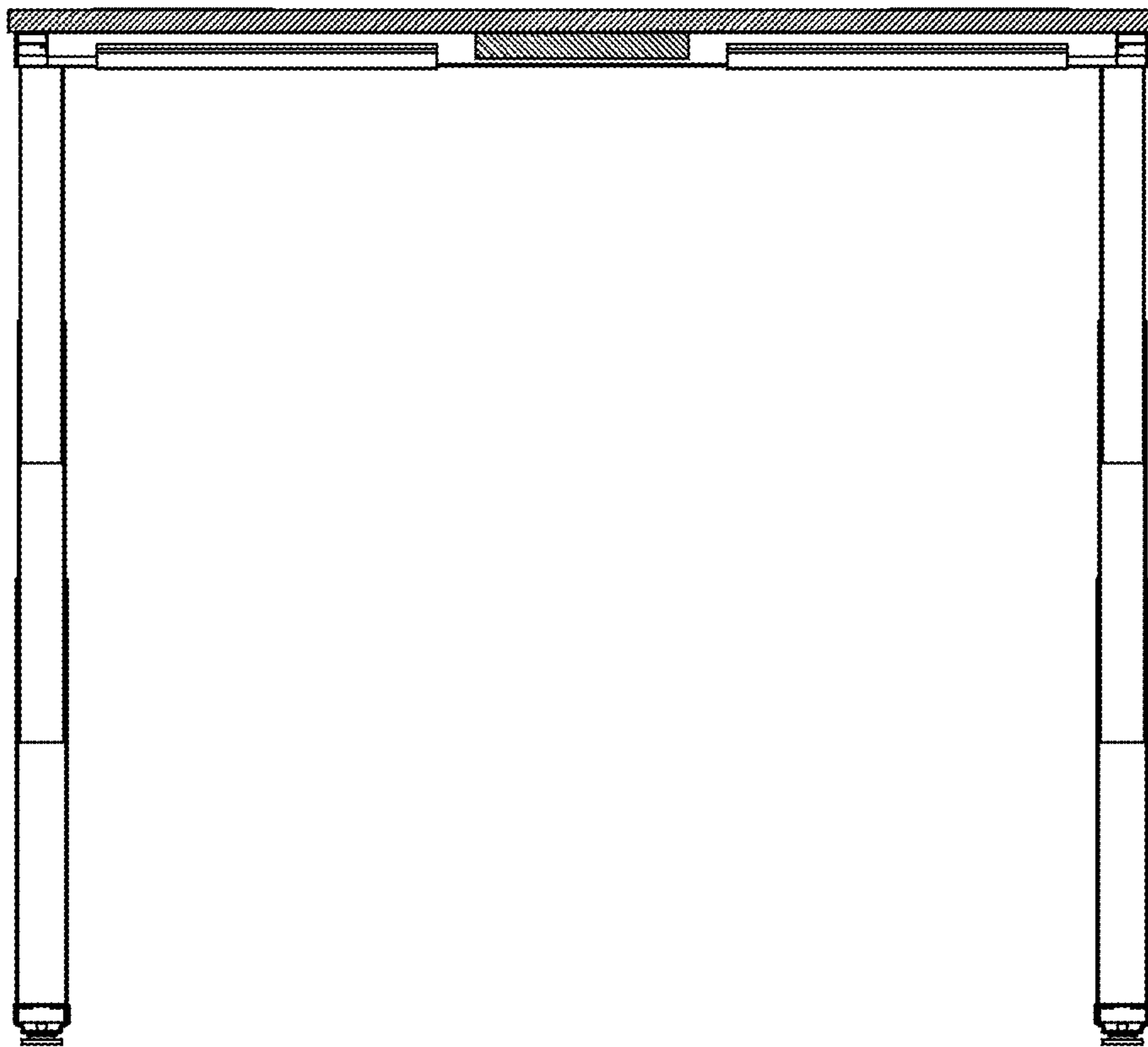


FIG. 10

