



US00D776956S

(12) **United States Design Patent**
Ma

(10) **Patent No.:** **US D776,956 S**
(45) **Date of Patent:** **** Jan. 24, 2017**

- (54) **ROD DISPLAY SHELF**
- (71) Applicant: **WEIHAI MAOYUAN FISHING TACKLE CO., LTD.**, Weihai, Shandong (CN)
- (72) Inventor: **Xingang Ma**, Shandong (CN)
- (73) Assignee: **WEIHAI MAOYUAN FISHING TACKLE CO., LTD.**, Weihai, Shandong (CN)
- (**) Term: **15 Years**
- (21) Appl. No.: **29/544,817**
- (22) Filed: **Nov. 6, 2015**
- (30) **Foreign Application Priority Data**
May 26, 2015 (CN) 2015 3 01629618
- (51) **LOC (10) Cl.** **06-04**
- (52) **U.S. Cl.**
USPC **D6/552**
- (58) **Field of Classification Search**
USPC D6/515, 552, 673, 675, 675.1-675.4, D6/678.4, 680.2-680.3, 681.1, 682, 682.402; D7/409, 571-572, 600, 600.1-600.4, 637, D7/704, 707; 211/26, 60.1, 70.8; D28/73; D13/155; D23/314; D25/68; D9/434
CPC A47B 73/00; A47B 73/002; A47B 73/004; A47B 47/00; A47B 47/0058; A47B 47/008; A47B 47/25; A47F 5/00; A47F 5/0056; A47F 5/0062; B65D 21/0211
See application file for complete search history.

- (56) **References Cited**
U.S. PATENT DOCUMENTS
D275,534 S * 9/1984 Halverson D6/552
D297,595 S * 9/1988 Sawai D3/20

- 4,871,074 A * 10/1989 Bryson A45D 20/12 211/26
- D331,698 S * 12/1992 Pezzoli D9/434
- D341,270 S * 11/1993 Adams D23/403
- 5,657,883 A * 8/1997 Badia A47B 81/005 211/60.1
- D394,575 S * 5/1998 Mikloczak D6/552
- D406,483 S * 3/1999 Bast D6/552
- D435,379 S * 12/2000 Nguyen D6/515
- 6,250,480 B1 * 6/2001 McGuinness A47B 81/005 211/70.6
- D454,012 S * 3/2002 Chen D6/682.4
- D493,056 S * 7/2004 Shornak D6/552
- D513,948 S * 1/2006 Martin D7/600.4
- D568,254 S * 5/2008 Patchett D13/155
- D595,996 S * 7/2009 Cass D7/637
- D604,547 S * 11/2009 Chang D6/552
- D623,015 S * 9/2010 D'Amato D7/409
- D680,773 S * 4/2013 Tebbe D6/682.4
- D713,183 S * 9/2014 Robledo D6/682
- 9,282,817 B2 * 3/2016 Yates A47B 81/005

(Continued)

Primary Examiner — Manpreet Matharu
Assistant Examiner — Keith Wilson
(74) *Attorney, Agent, or Firm* — Global IP Services; Tianhua Gu

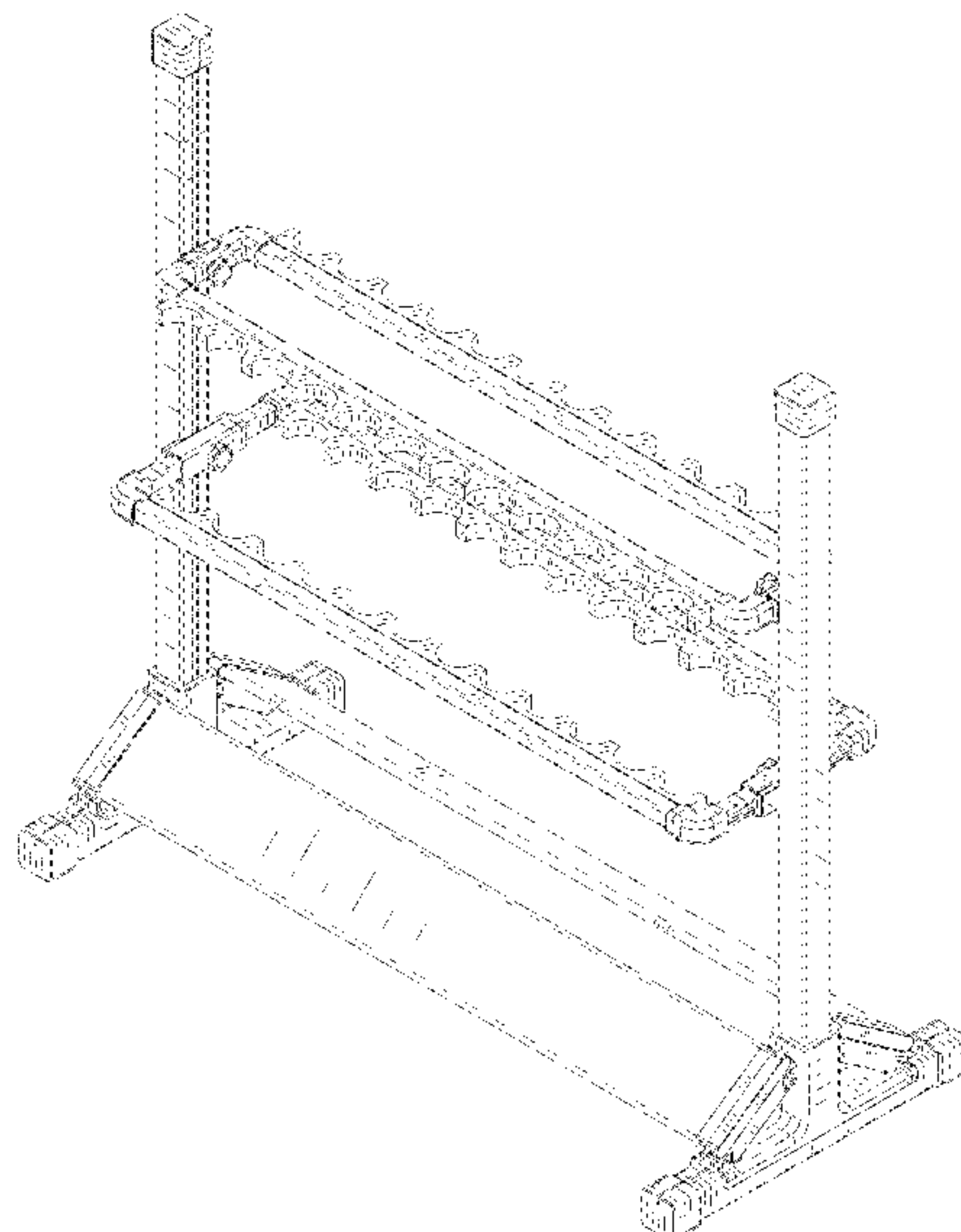
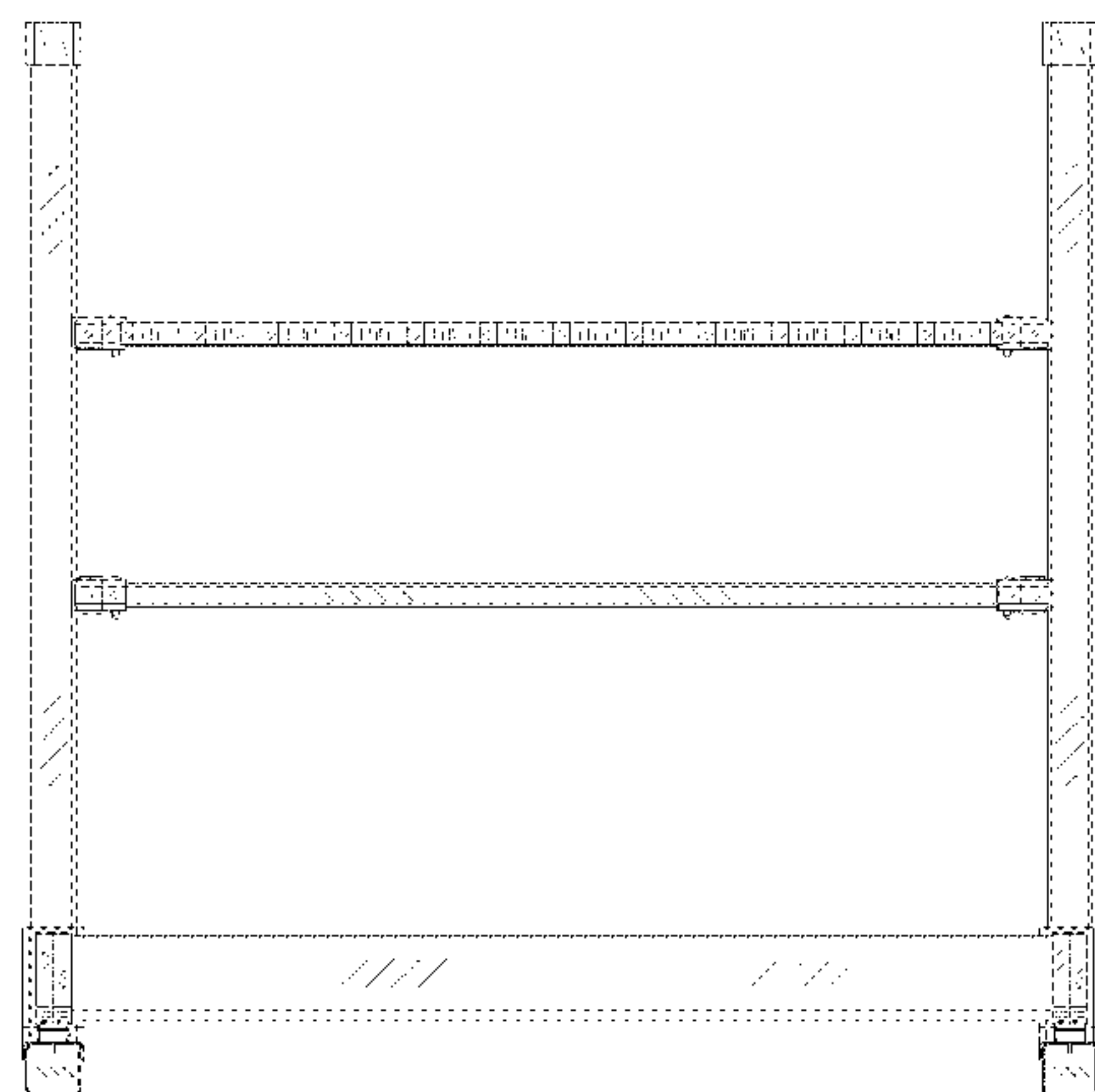
(57) **CLAIM**

The ornamental design for a rod display shelf, as shown and described.

DESCRIPTION

FIG. 1 is a front elevation view and a rear elevation view of a rod display shelf showing my new design;
FIG. 2 is a top plan view thereof;
FIG. 3 is a bottom plan view thereof;
FIG. 4 is a left side elevation view and a right side elevation view thereof;
FIG. 5 is a top front elevation view thereof; and,
FIG. 6 is a bottom front elevation view thereof.

1 Claim, 5 Drawing Sheets



(56)

References Cited

U.S. PATENT DOCUMENTS

D756,535 S * 5/2016 Schlipf D25/68
D757,915 S * 5/2016 Morikawa D23/314
D764,709 S * 8/2016 Filho D28/73

* cited by examiner

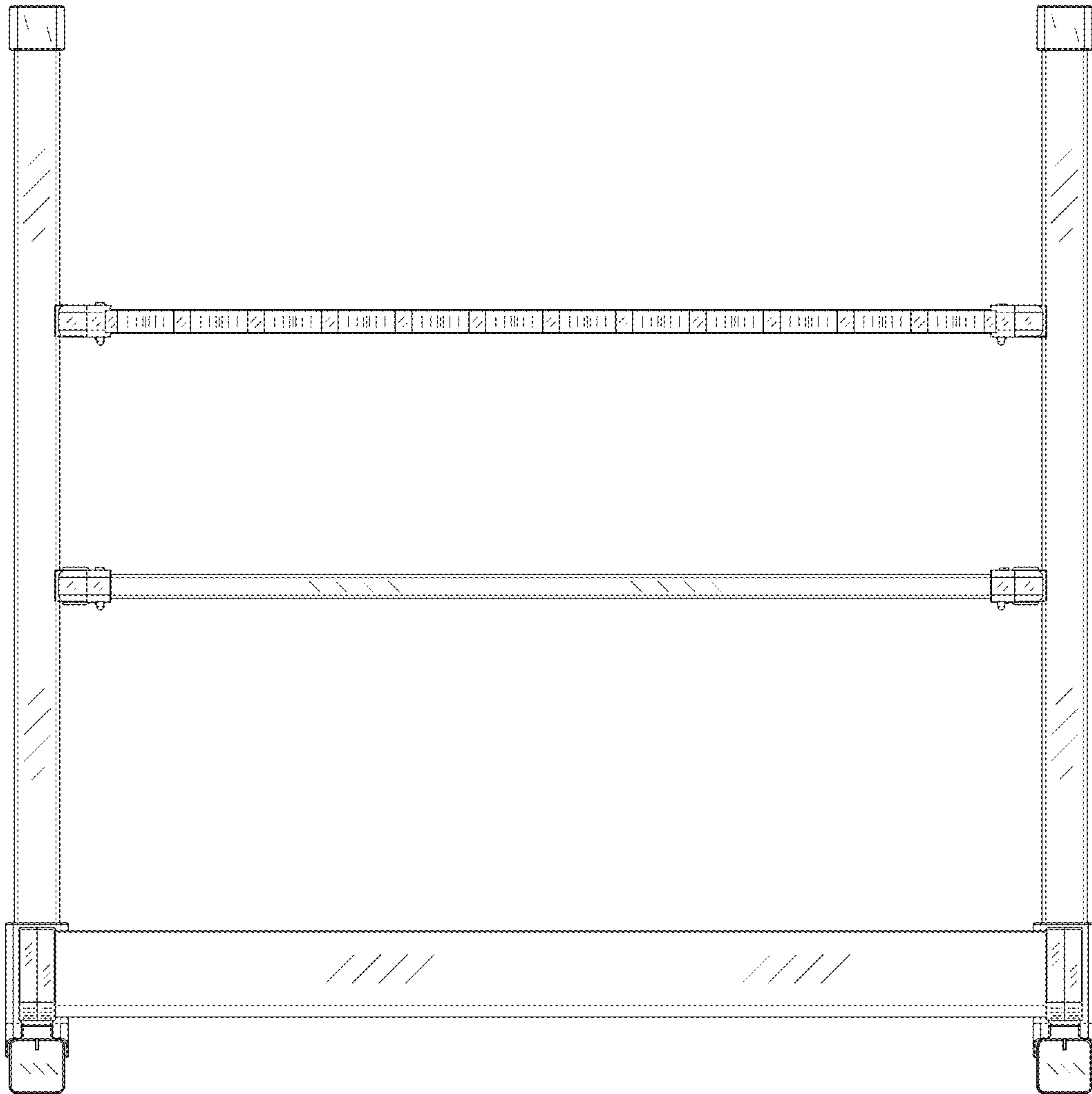


Fig. 1

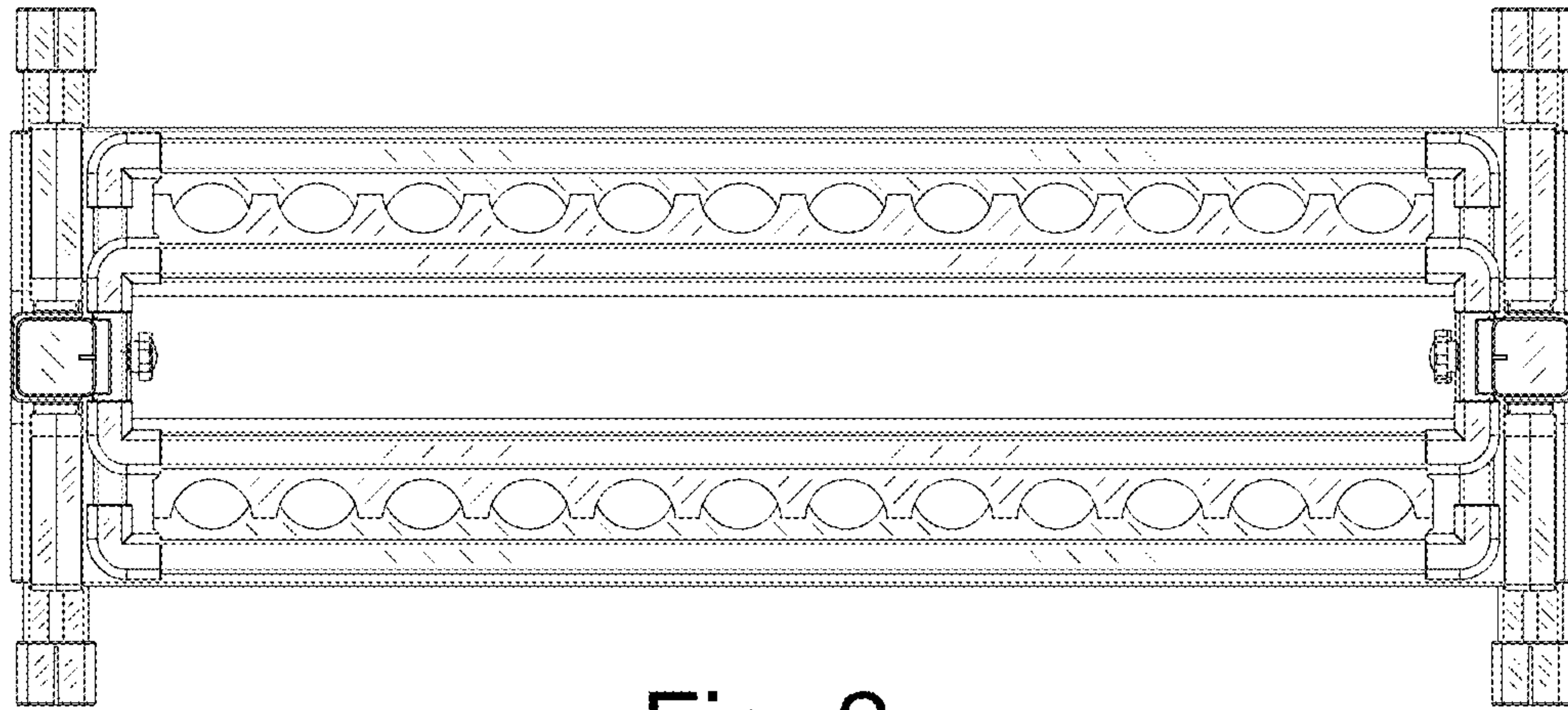


Fig. 2

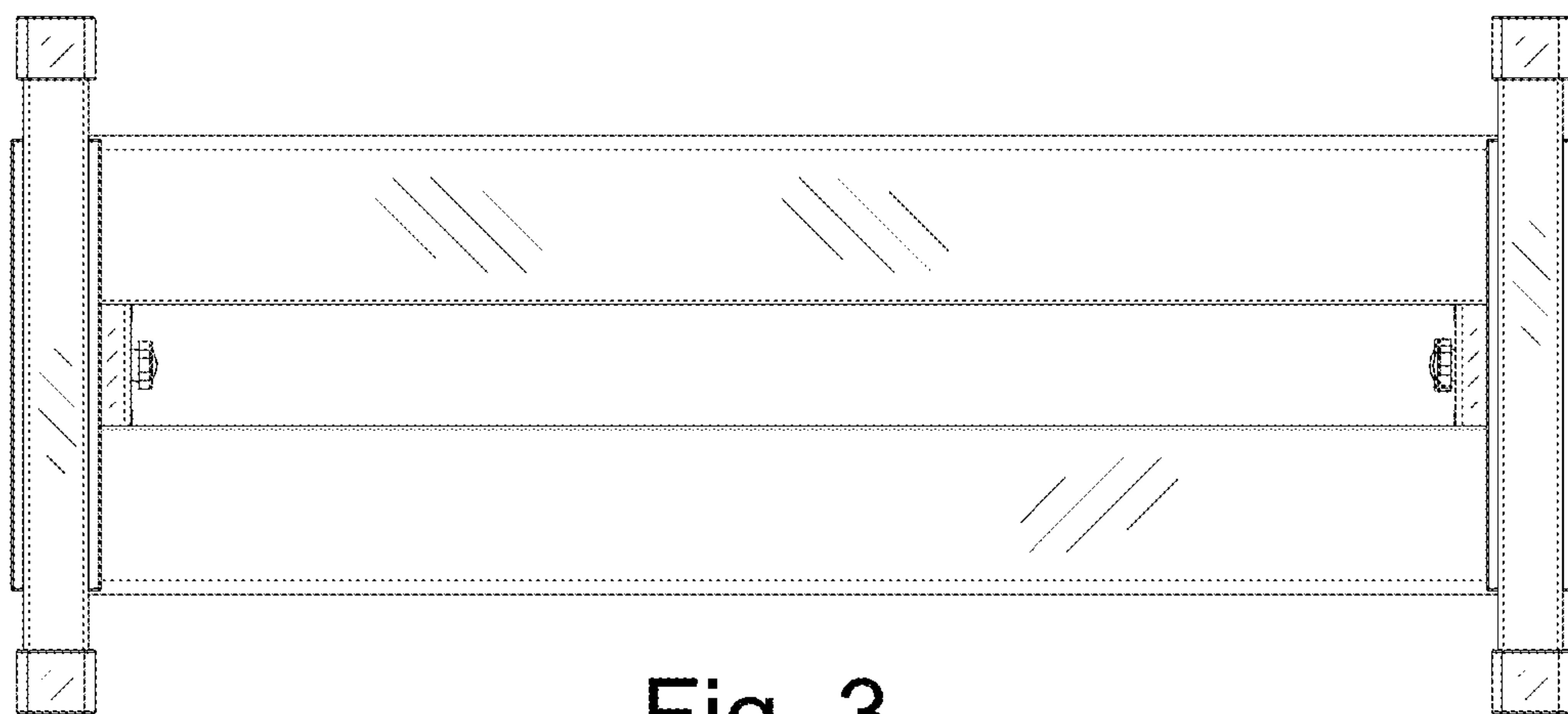


Fig. 3

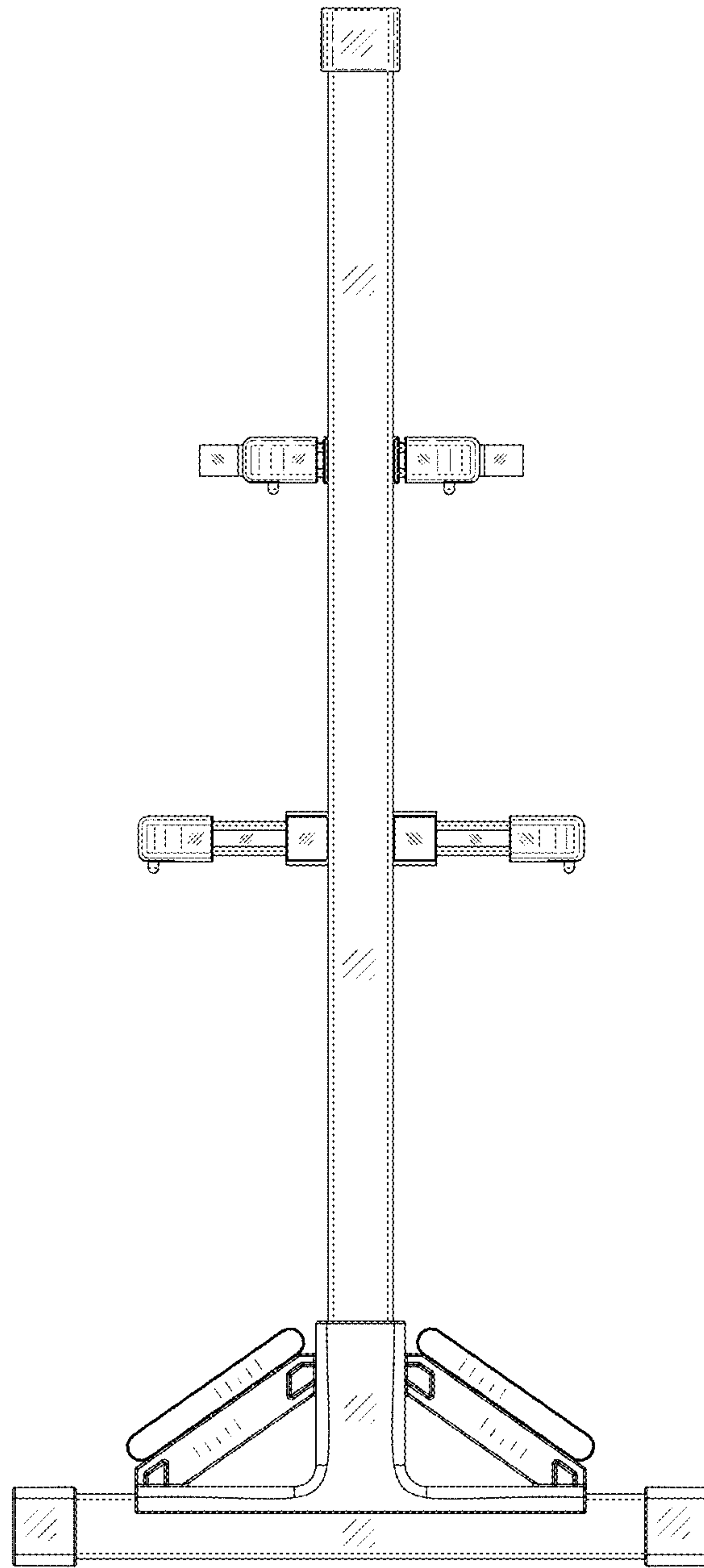


Fig. 4

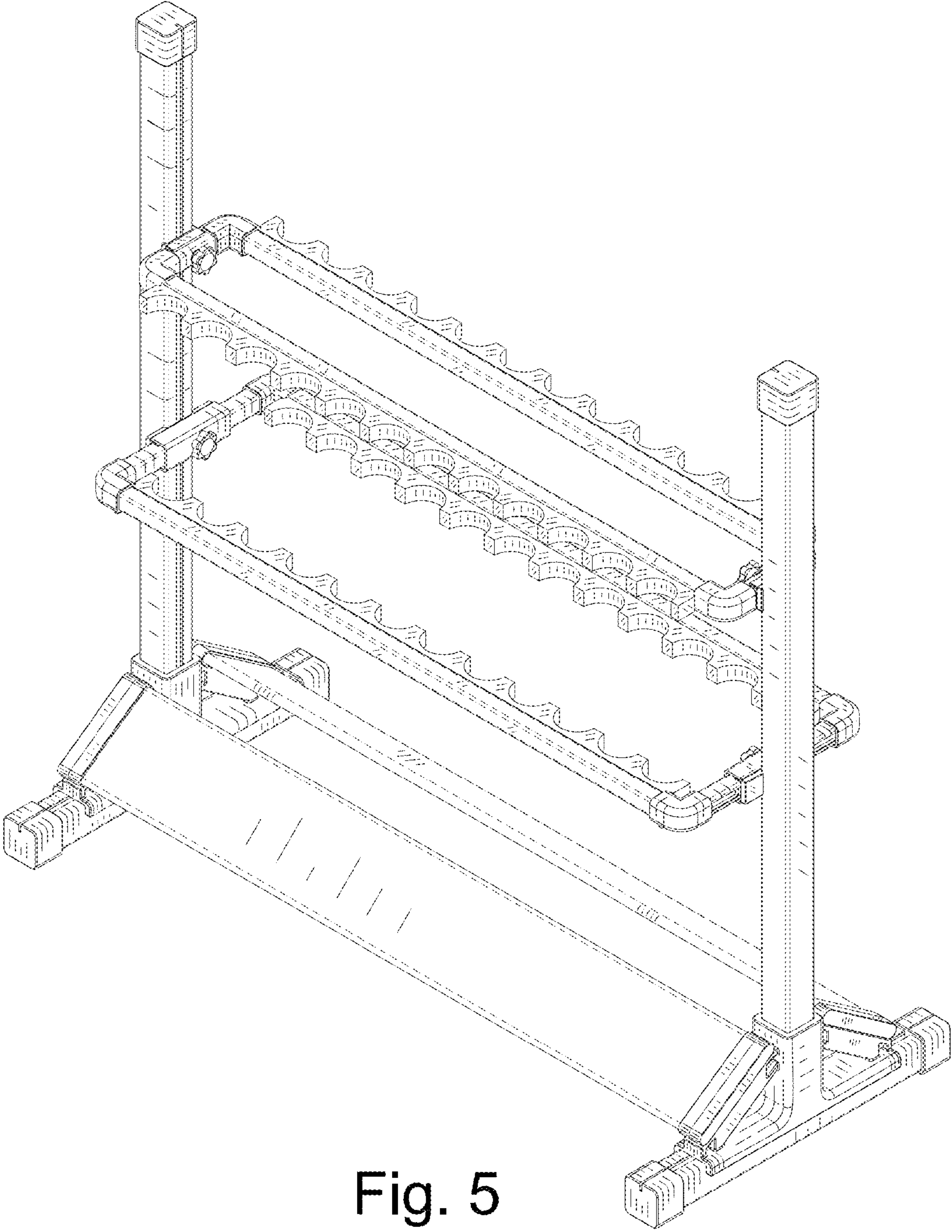


Fig. 5

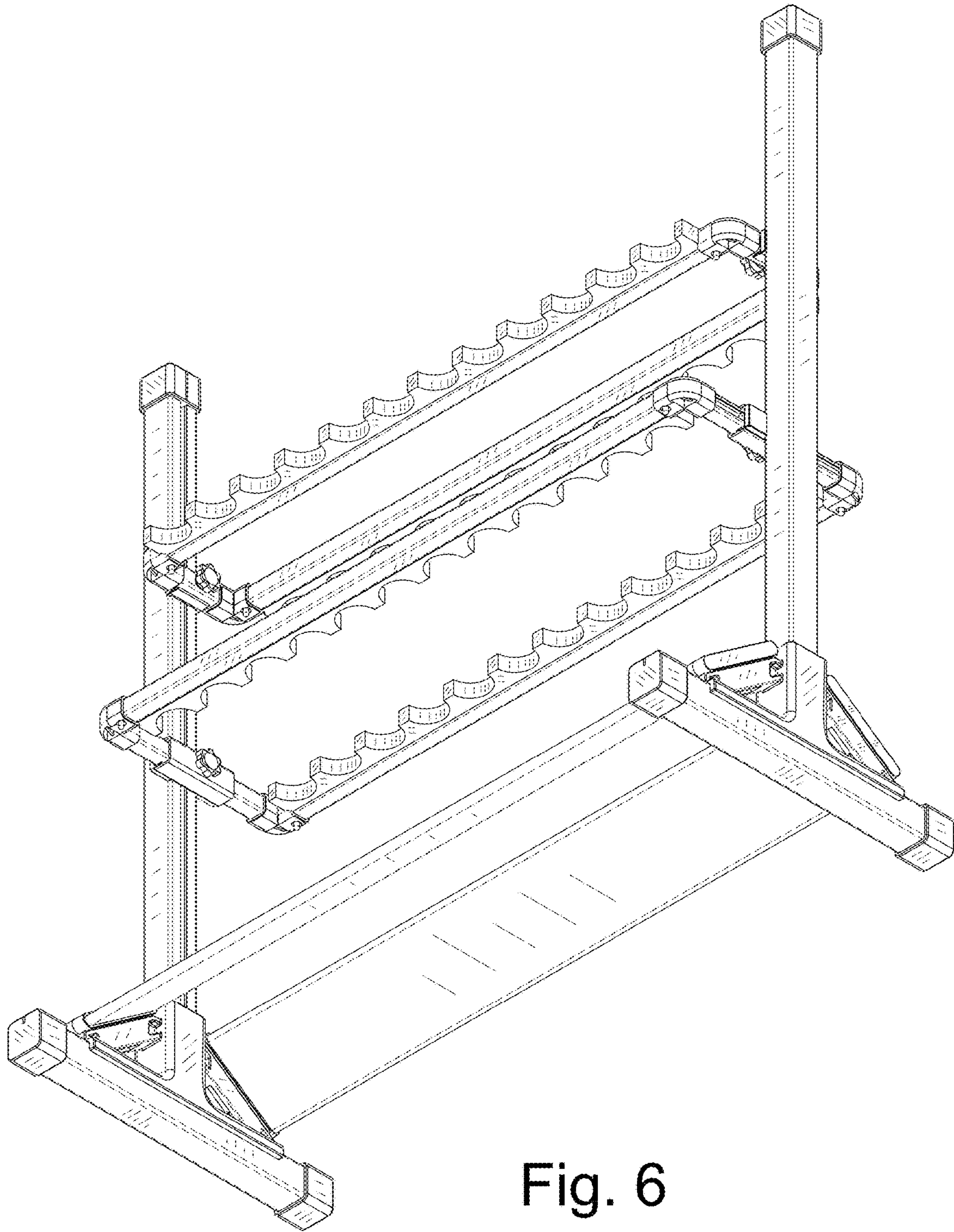


Fig. 6