



US00D776954S

(12) **United States Design Patent** (10) **Patent No.:** **US D776,954 S**
Falkner et al. (45) **Date of Patent:** **** Jan. 24, 2017**

(54) **TISSUE HOLDER ATTACHABLE TO A ROLLED PAPER DISPENSER**
(71) Applicants: **Nathan Falkner**, Centennial, CO (US);
Jessica Helmus, Centennial, CO (US)
(72) Inventors: **Nathan Falkner**, Centennial, CO (US);
Jessica Helmus, Centennial, CO (US)
(**) Term: **14 Years**
(21) Appl. No.: **29/526,313**
(22) Filed: **May 7, 2015**
(51) **LOC (10) Cl.** **20-02**
(52) **U.S. Cl.**
USPC **D6/519**
(58) **Field of Classification Search**
USPC D6/518-524, 546-550; 108/28-29;
211/13.1, 16, 60.1, 86.01, 87.01, 88.01,
211/88.04, 100, 105.1, 105.2, 123, 181.1,
211/182; 248/175, 176.1, 251, 302;
16/110.1, 415; 242/570, 590, 595-598,
242/597.7; D8/300, 303, 315-321;
220/216
CPC A47K 10/38; A47K 2010/3266; A47K
2010/3253; A47K 10/421; B65D 83/0805
See application file for complete search history.

7,185,865 B1 * 3/2007 Patrick A47K 10/185
211/71.01
7,527,218 B2 5/2009 Brown
D635,805 S * 4/2011 Pleyber D6/518
8,418,879 B2 * 4/2013 Sherman A47K 10/42
221/130
D690,126 S * 9/2013 Ogawa D6/518
8,602,258 B2 * 12/2013 Long B65D 83/0805
221/305
2001/0052477 A1 * 12/2001 McNeill B65D 83/0805
206/494
2002/0043537 A1 * 4/2002 Serbiak A47K 10/421
221/33
2002/0175094 A1 * 11/2002 Campbell B65D 83/0888
206/233

(Continued)

FOREIGN PATENT DOCUMENTS

WO WO2007019682 2/2007

Primary Examiner — David Muller
Assistant Examiner — Nathan Johnston

(57) **CLAIM**

The ornamental design for a tissue holder attachable to a rolled paper dispenser, as shown and described.

DESCRIPTION

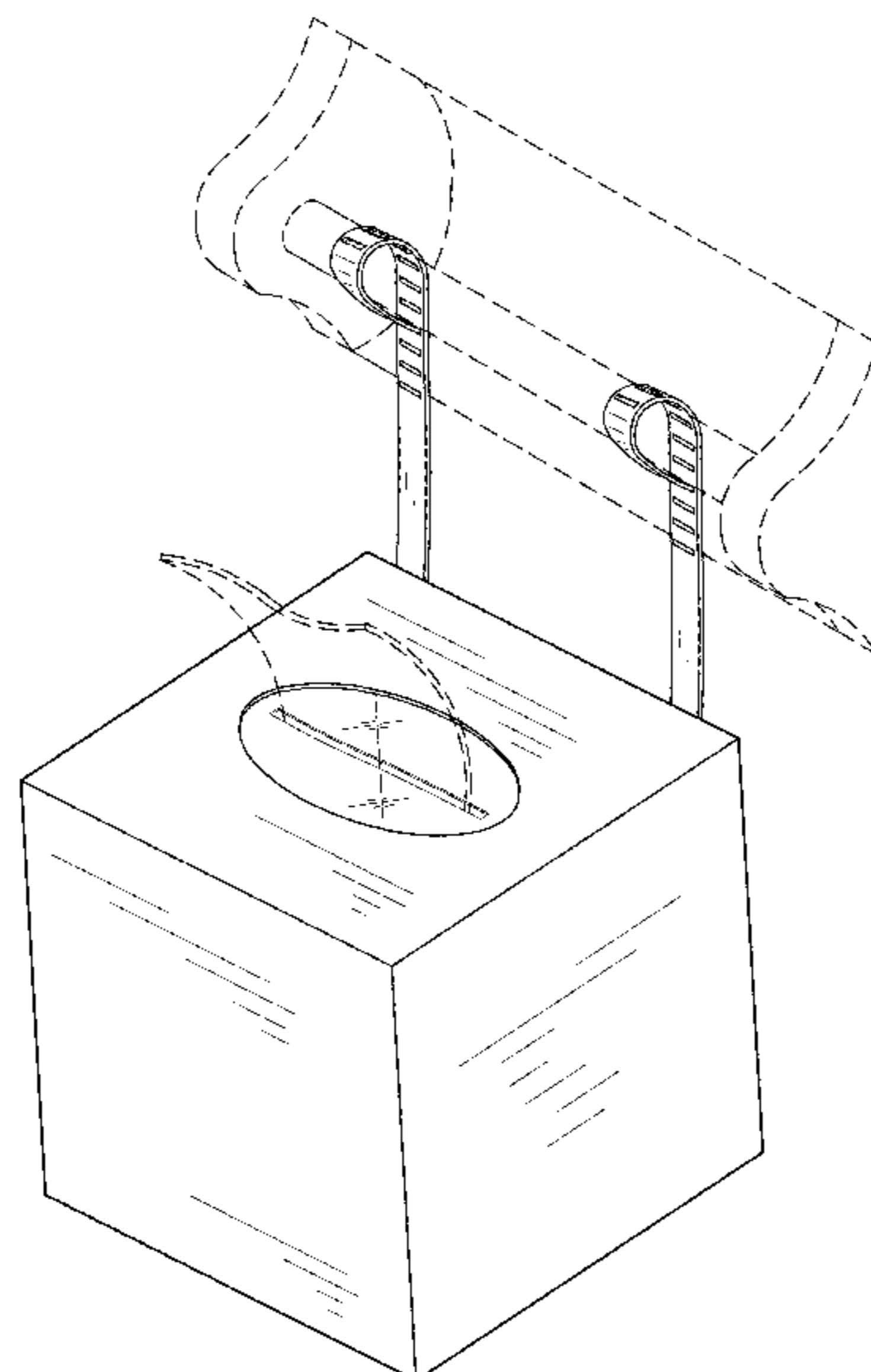
FIG. 1 is a front elevation view of a tissue holder attachable to a rolled paper dispenser showing our new design; FIG. 2 is a rear elevation view thereof; FIG. 3 is a left side elevation view thereof, a right side elevation view being a mirror image thereof; FIG. 4 is a top plan thereof; FIG. 5 is a bottom plan view thereof; and, FIG. 6 is a top front side perspective view of the tissue holder attachable to a rolled paper dispenser in use. The broken line showing of parts of the drawings is included for the purpose of illustrating use and environment and forms no part of the claimed design.

1 Claim, 6 Drawing Sheets

(56) **References Cited**

U.S. PATENT DOCUMENTS

3,921,802 A 11/1975 Thompson
D334,499 S * 4/1993 Meisner D3/302
5,311,986 A 5/1994 Putz
D450,960 S 11/2001 Boyea et al.
D464,513 S * 10/2002 Ong D6/518
6,604,628 B1 8/2003 Tanaka et al.
D514,928 S * 2/2006 Keberlein 206/233
7,140,513 B2 * 11/2006 Welchel A47K 10/421
221/199
7,147,129 B1 * 12/2006 Menefield A61F 6/005
132/315



(56)

References Cited

U.S. PATENT DOCUMENTS

2006/0201844 A1 9/2006 Bostic
2007/0221778 A1 9/2007 Gullo

* cited by examiner

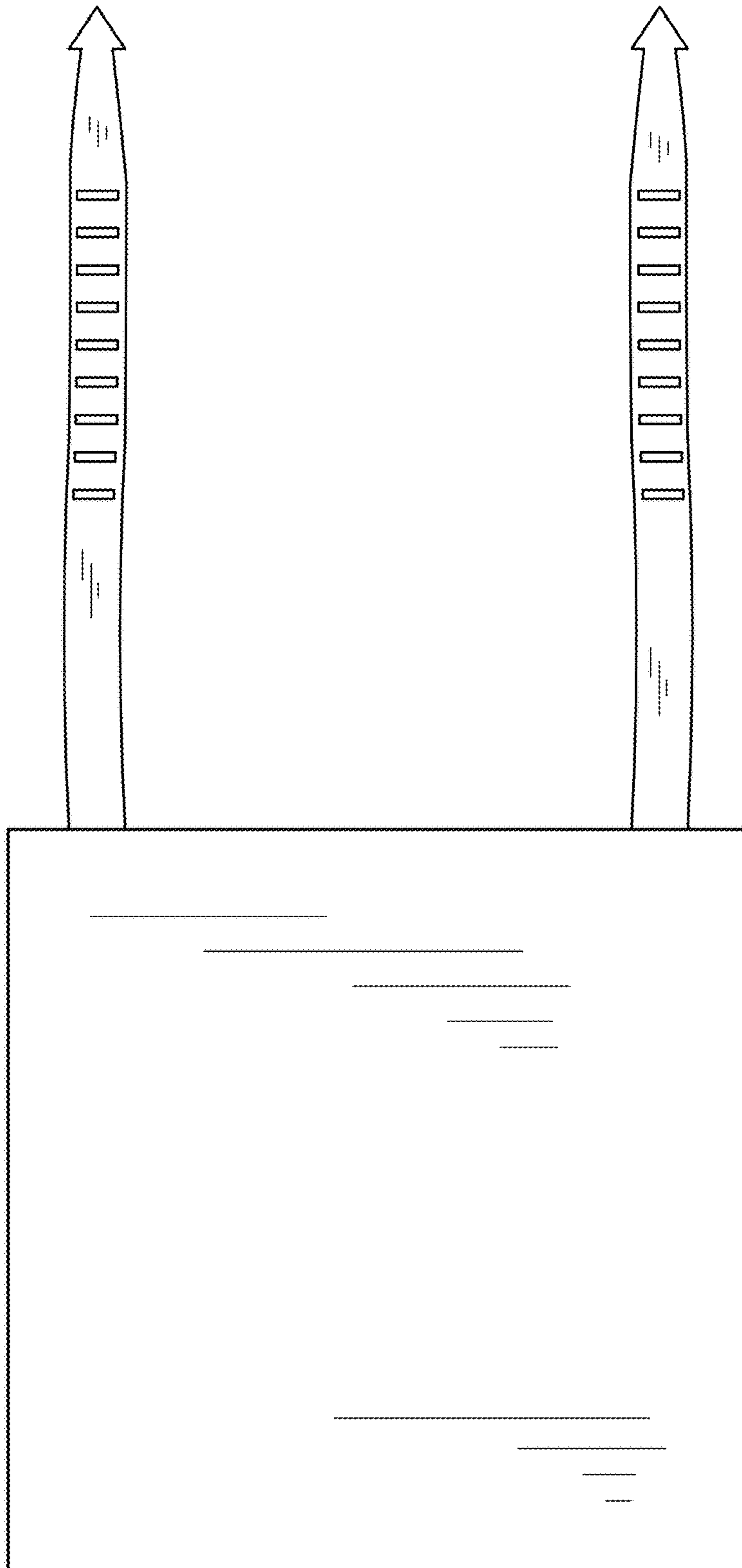


FIG. 1

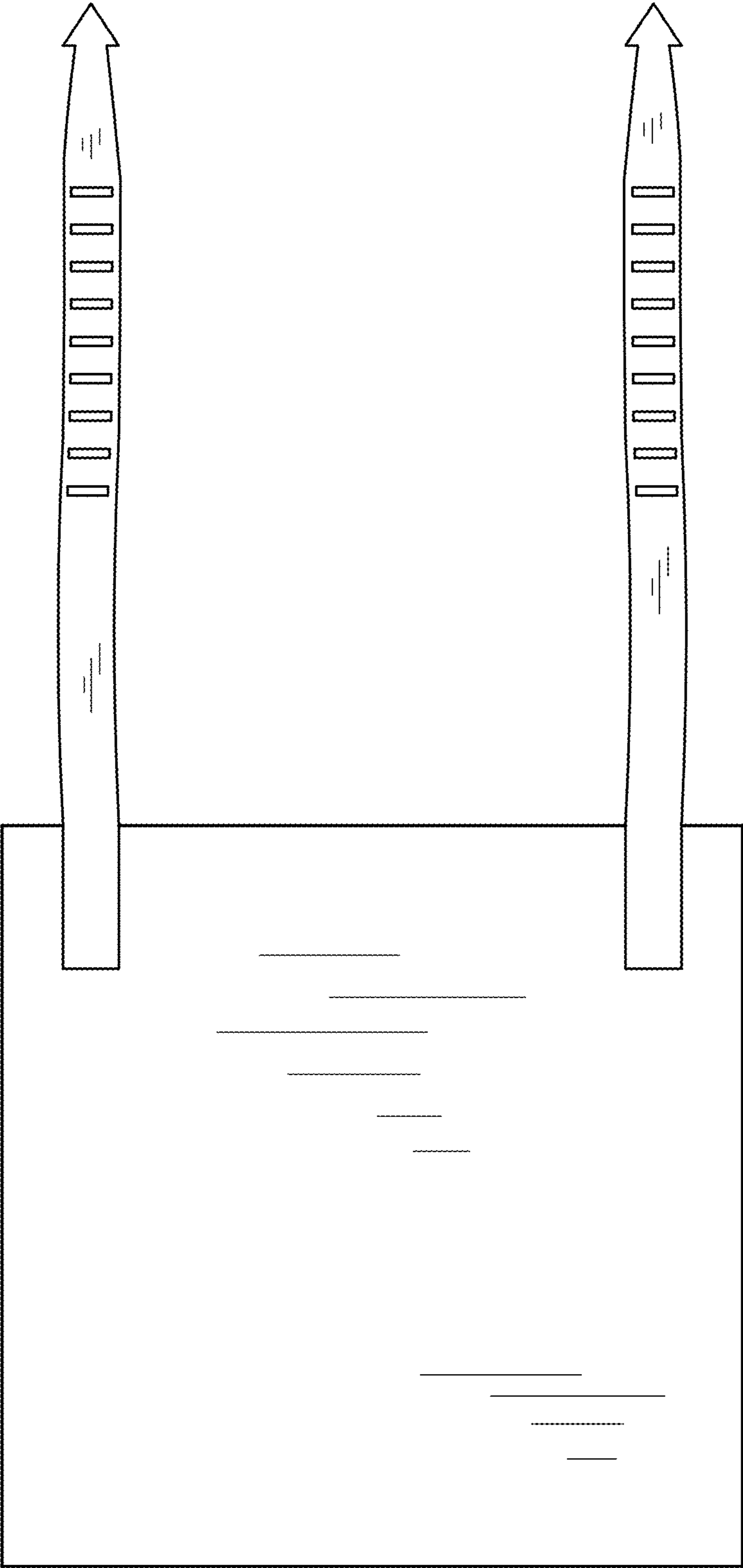


FIG. 2

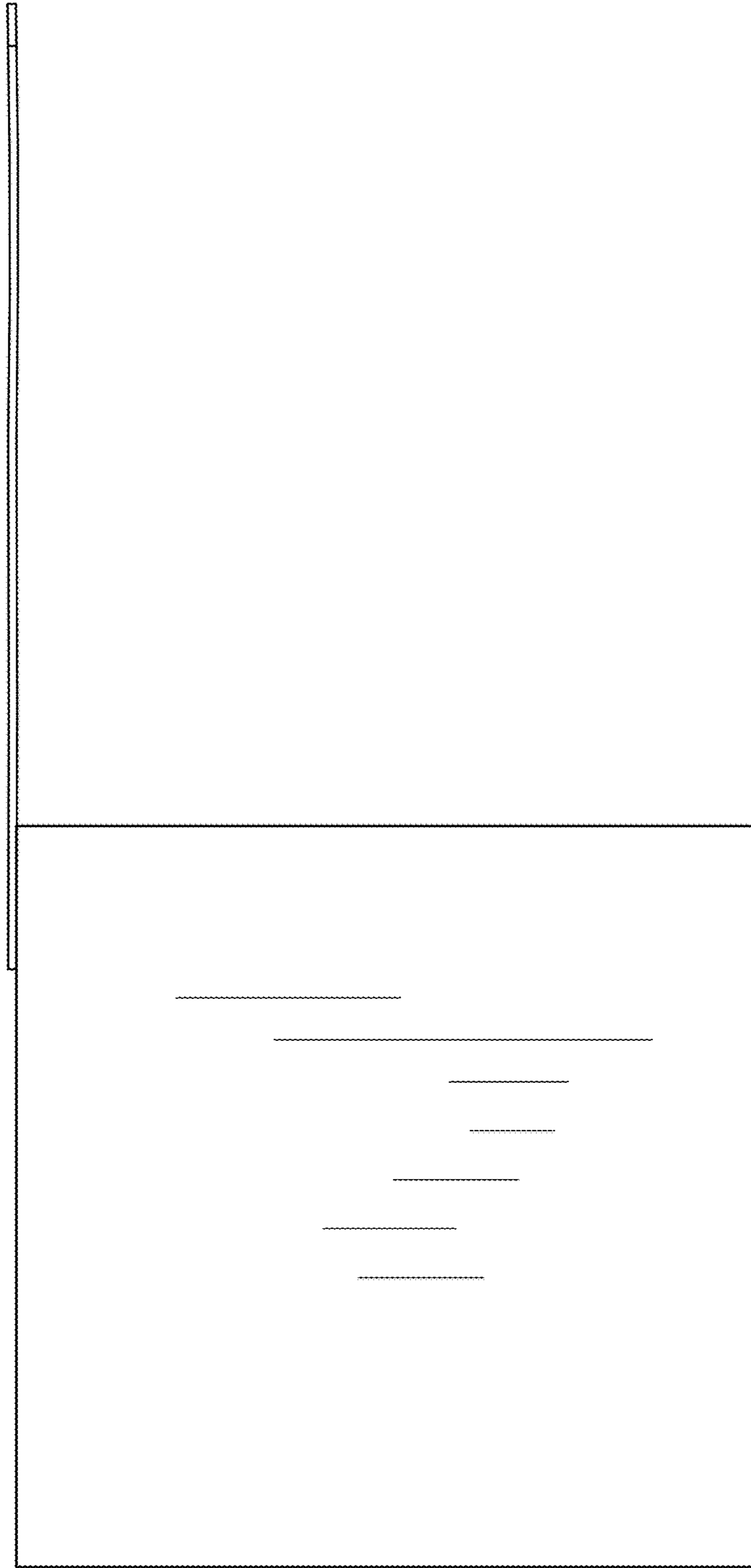


FIG. 3

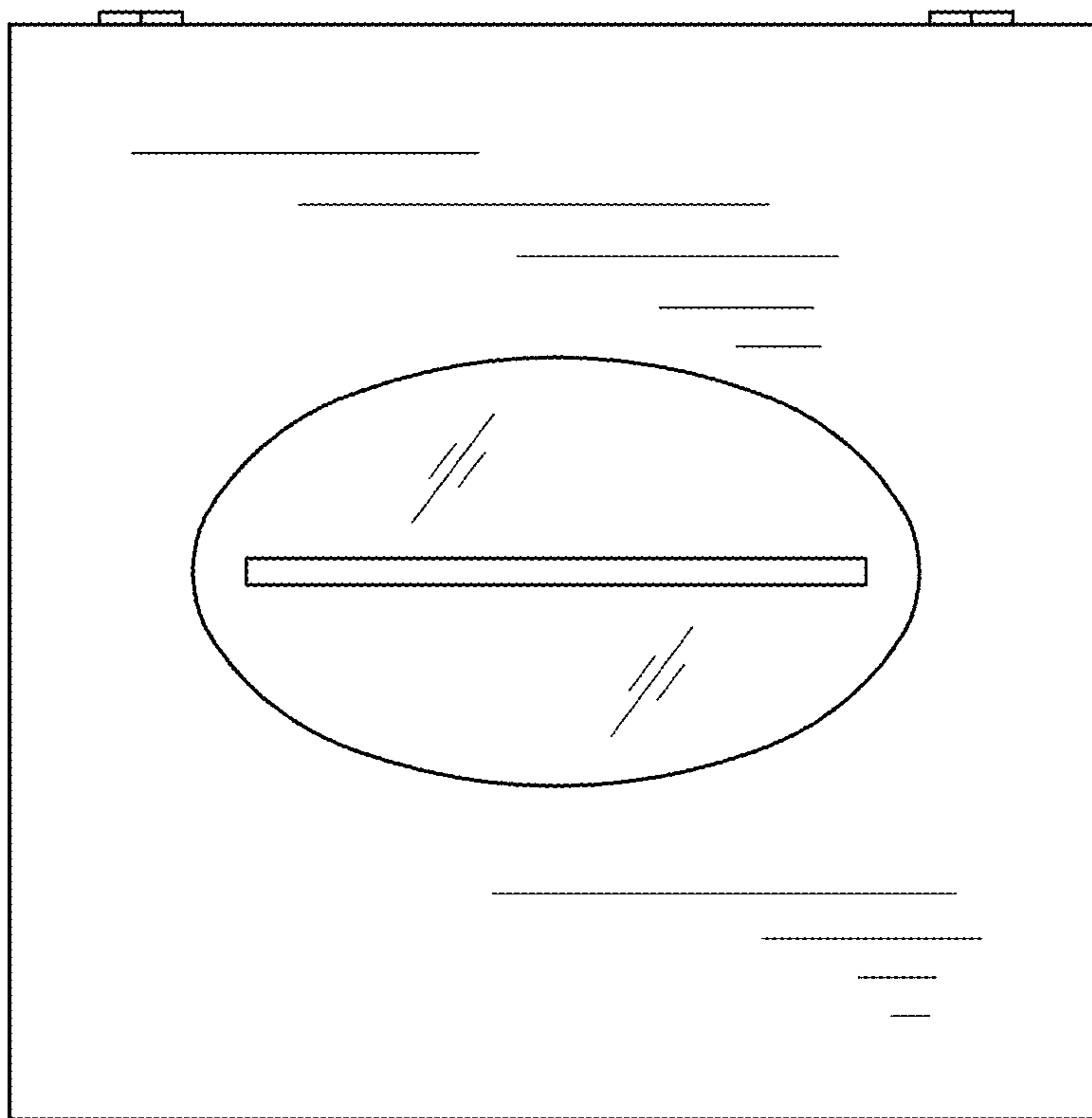


FIG. 4

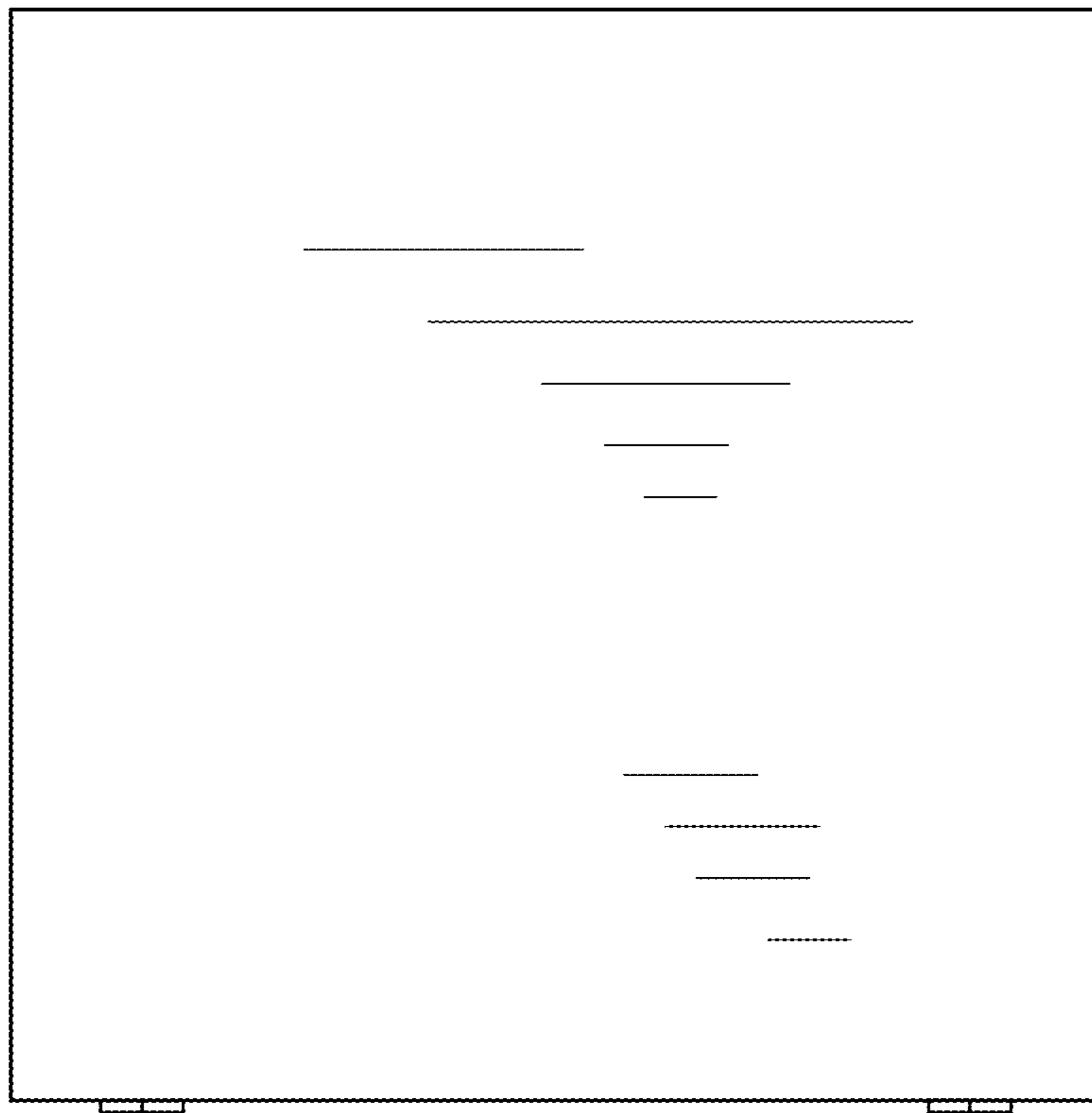


FIG. 5

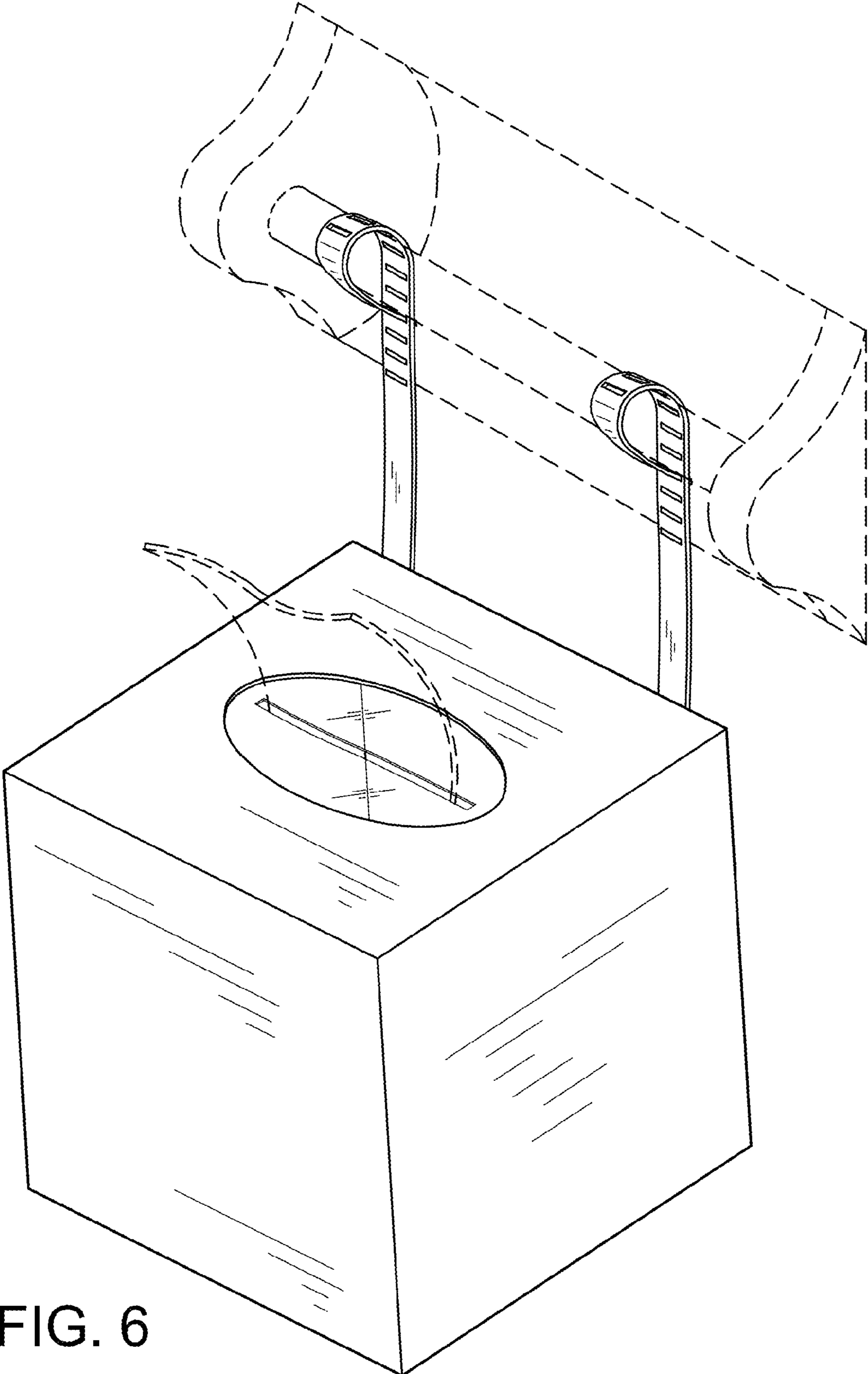


FIG. 6