



US00D776950S

(12) **United States Design Patent**
Contreras

(10) **Patent No.:** **US D776,950 S**
(45) **Date of Patent:** **** Jan. 24, 2017**

(54) **FULLY UPHOLSTERED ADJUSTED CHAISE
LOUNGER IN NEUTRAL AND ZERO
GRAVITY POSITIONS**

(71) Applicant: **John S Contreras**, Redondo Beach, CA
(US)

(72) Inventor: **John S Contreras**, Redondo Beach, CA
(US)

(73) Assignee: **Era Nouveau, LLC**, Redondo Beach,
CA (US)

(**) Term: **15 Years**

(21) Appl. No.: **29/538,059**

(22) Filed: **Aug. 31, 2015**

(51) **LOC (10) Cl.** **06-01**

(52) **U.S. Cl.**
USPC **D6/361**

(58) **Field of Classification Search**
USPC D6/334-336, 361, 367, 374, 375, 377,
D6/716, 716.1, 716.2, 716.4
CPC A47C 7/50; A47C 7/506; A47C 7/18;
A47C 7/24; A47C 7/022
See application file for complete search history.

(56) **References Cited**

U.S. PATENT DOCUMENTS

| | | | | |
|--------------|--------|--------------|-------|--------|
| D145,092 S * | 6/1946 | Laskowitz | | D6/361 |
| D165,717 S * | 1/1952 | Maurer | | D6/361 |
| D166,049 S * | 2/1952 | Rudin et al. | | D6/361 |
| D166,398 S * | 4/1952 | Laskowitz | | D6/361 |
| D166,585 S * | 4/1952 | Bell | | D6/361 |
| D166,983 S * | 6/1952 | Laskowitz | | D6/361 |
| D167,761 S * | 9/1952 | Luckhardt | | D6/361 |
| D172,378 S * | 6/1954 | Bell | | D6/361 |
| D175,624 S * | 9/1955 | Laskowitz | | D6/361 |

| | | | | |
|--------------|---------|--------|-------|--------|
| D186,813 S * | 12/1959 | Maurer | | D6/361 |
| D188,785 S * | 9/1960 | Maurer | | D6/361 |
| D188,786 S * | 9/1960 | Maurer | | D6/361 |
| D190,281 S * | 5/1961 | Sher | | D6/361 |
| D200,310 S * | 2/1965 | Ferro | | D6/361 |
| D225,289 S * | 12/1972 | Perno | | D6/361 |
| D308,768 S * | 6/1990 | Ferro | | D6/361 |
| D313,129 S * | 12/1990 | Ferro | | D6/361 |
| D434,237 S * | 11/2000 | Binder | | D6/361 |
| D690,121 S * | 9/2013 | Banda | | D6/361 |

* cited by examiner

Primary Examiner — Mimosa De

(74) *Attorney, Agent, or Firm* — Kwan & Olynick LLP

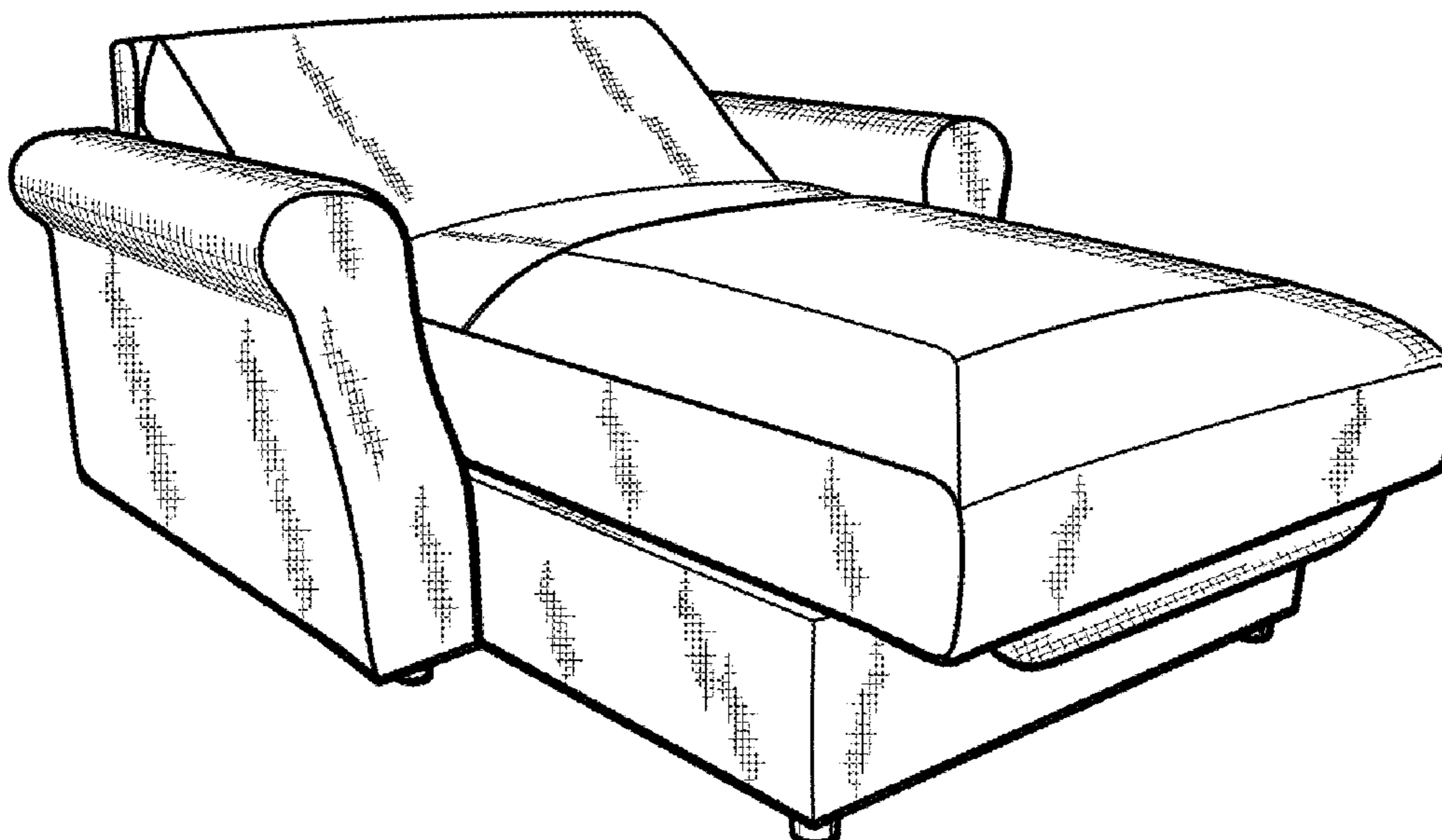
(57) **CLAIM**

The ornamental design for a fully upholstered adjustable chaise lounger in neutral and zero gravity positions, as shown and described.

DESCRIPTION

FIG. 1 is a perspective view of a fully upholstered adjustable chaise lounger in neutral position from the front, top, and left sides;
FIG. 2 is a top view thereof;
FIG. 3 is a front view thereof;
FIG. 4 is a right side view thereof;
FIG. 5 is a rear view thereof;
FIG. 6 is a left side view thereof;
FIG. 7 is a perspective view of a fully upholstered adjustable chaise lounger in zero gravity position from the front, top, and left sides;
FIG. 8 is a top view thereof;
FIG. 9 is a front view thereof;
FIG. 10 is a right side view thereof;
FIG. 11 is a rear view thereof; and,
FIG. 12 is a left side view thereof.

1 Claim, 4 Drawing Sheets



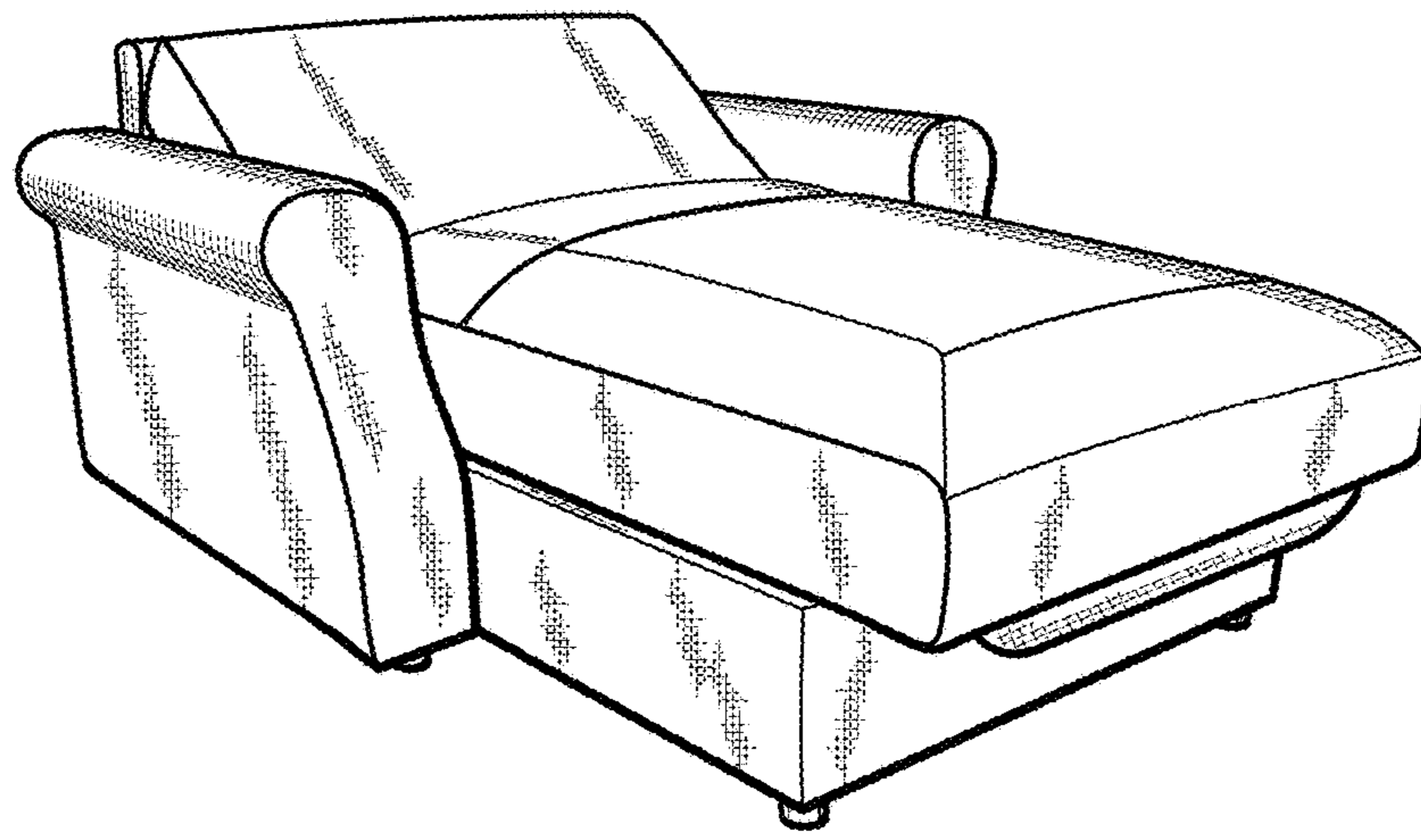


FIG. 1

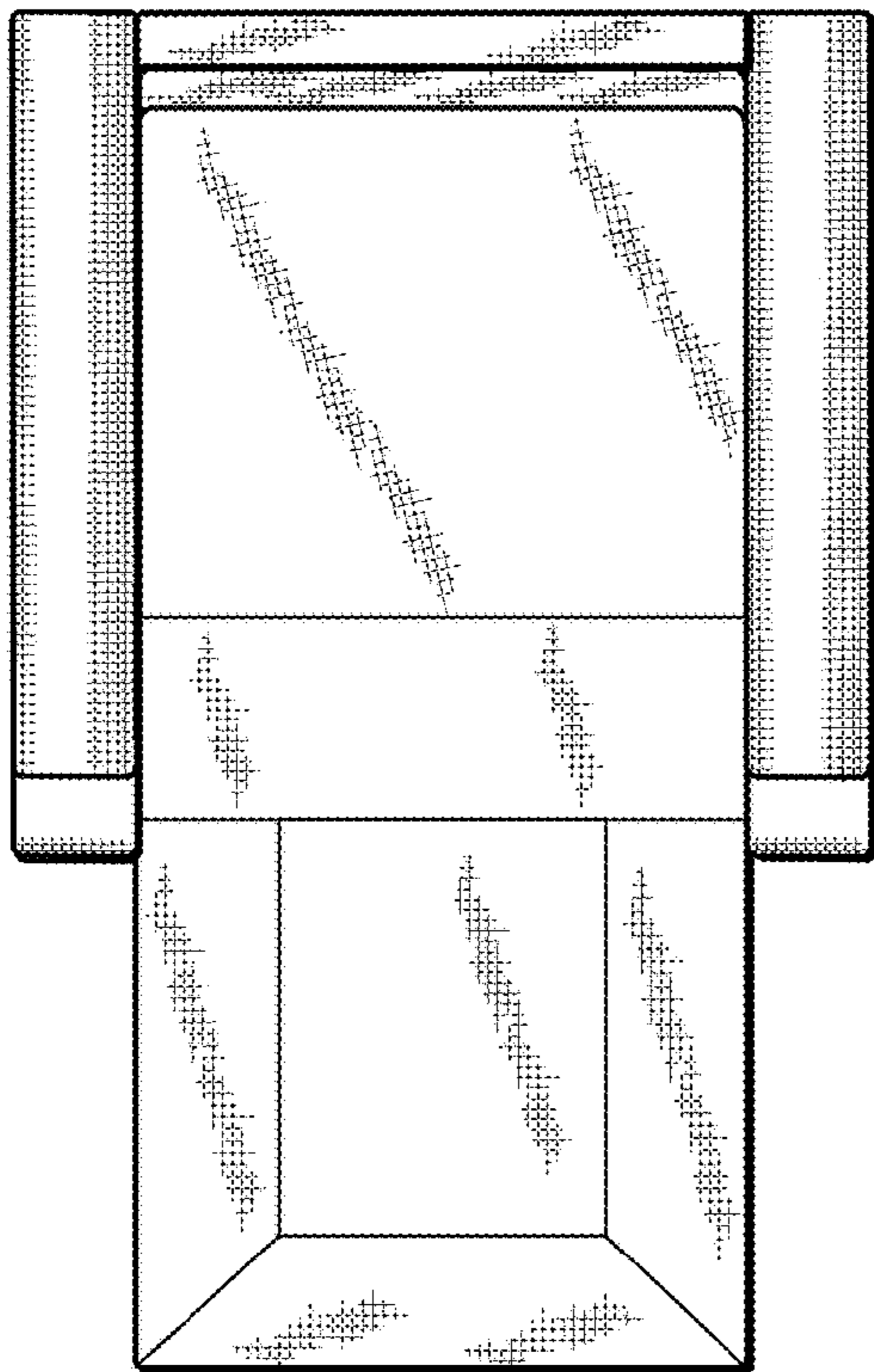


FIG. 2

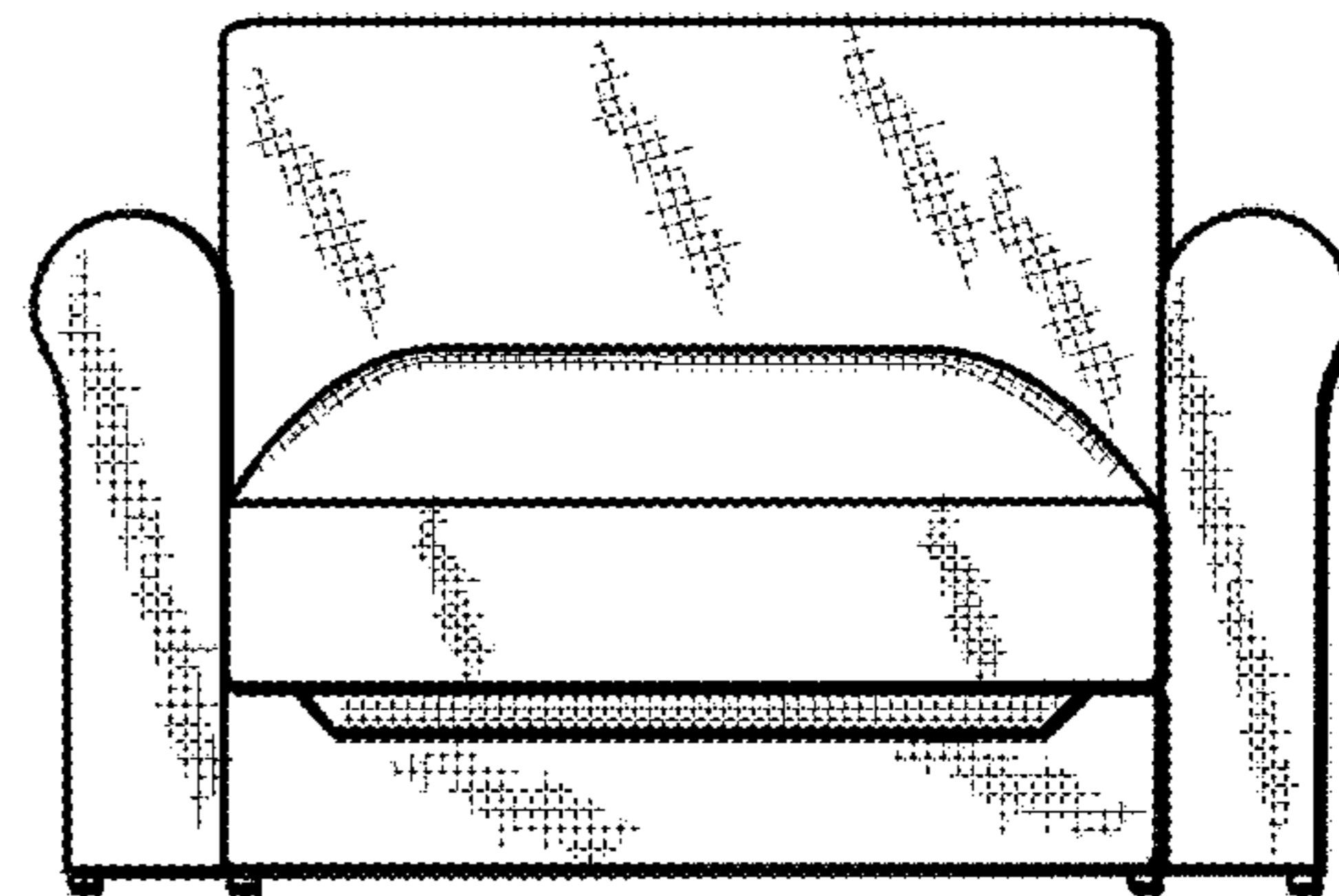


FIG. 3

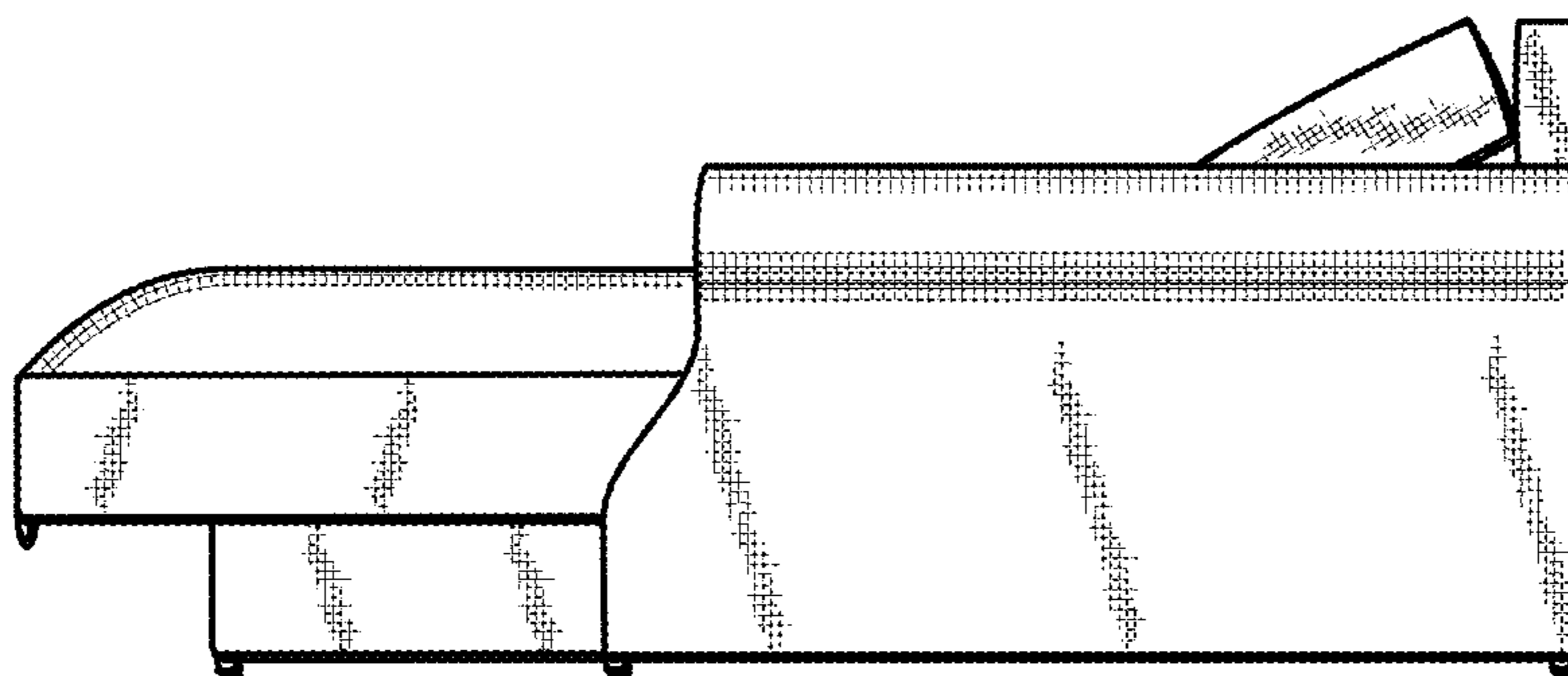


FIG. 4

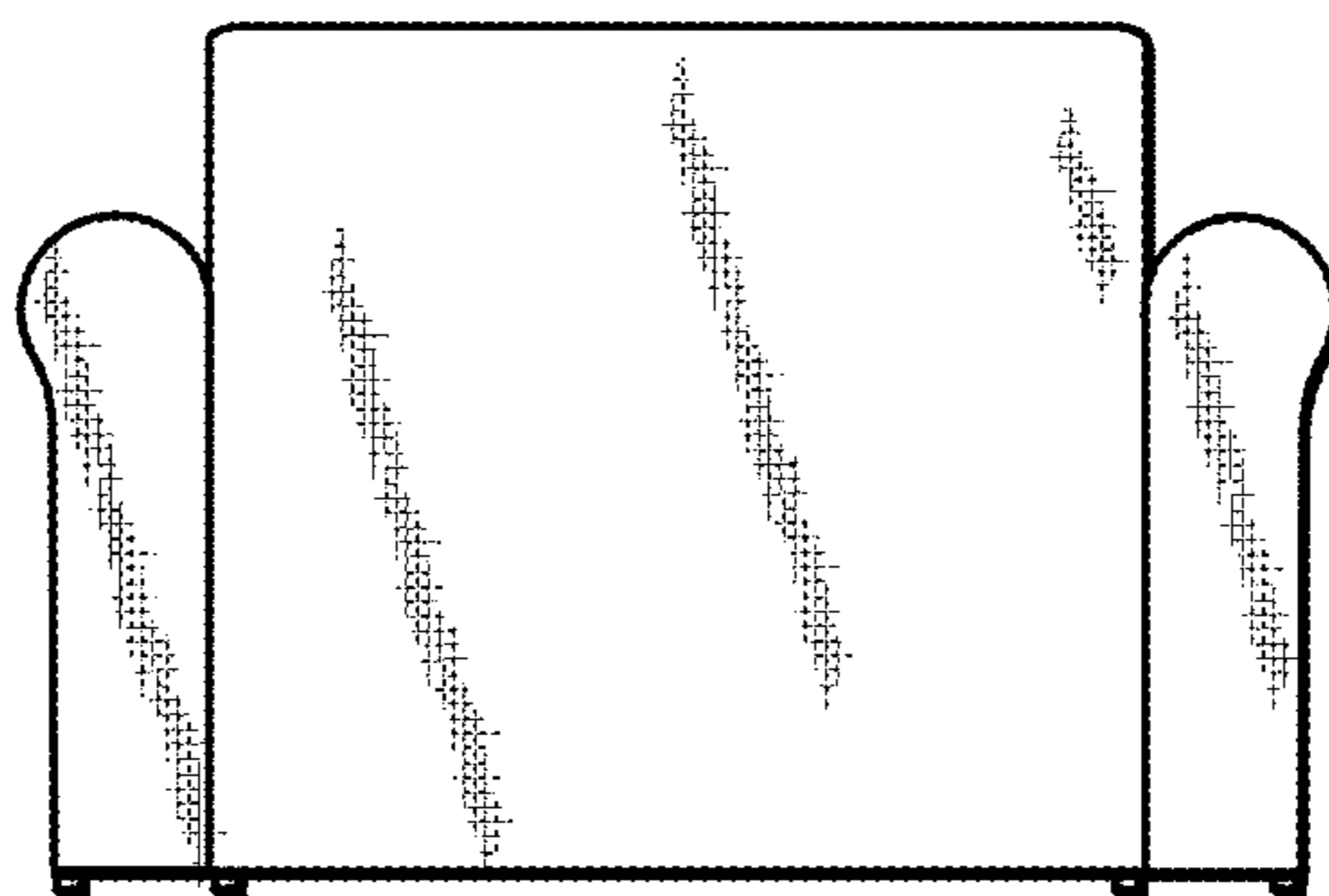


FIG. 5

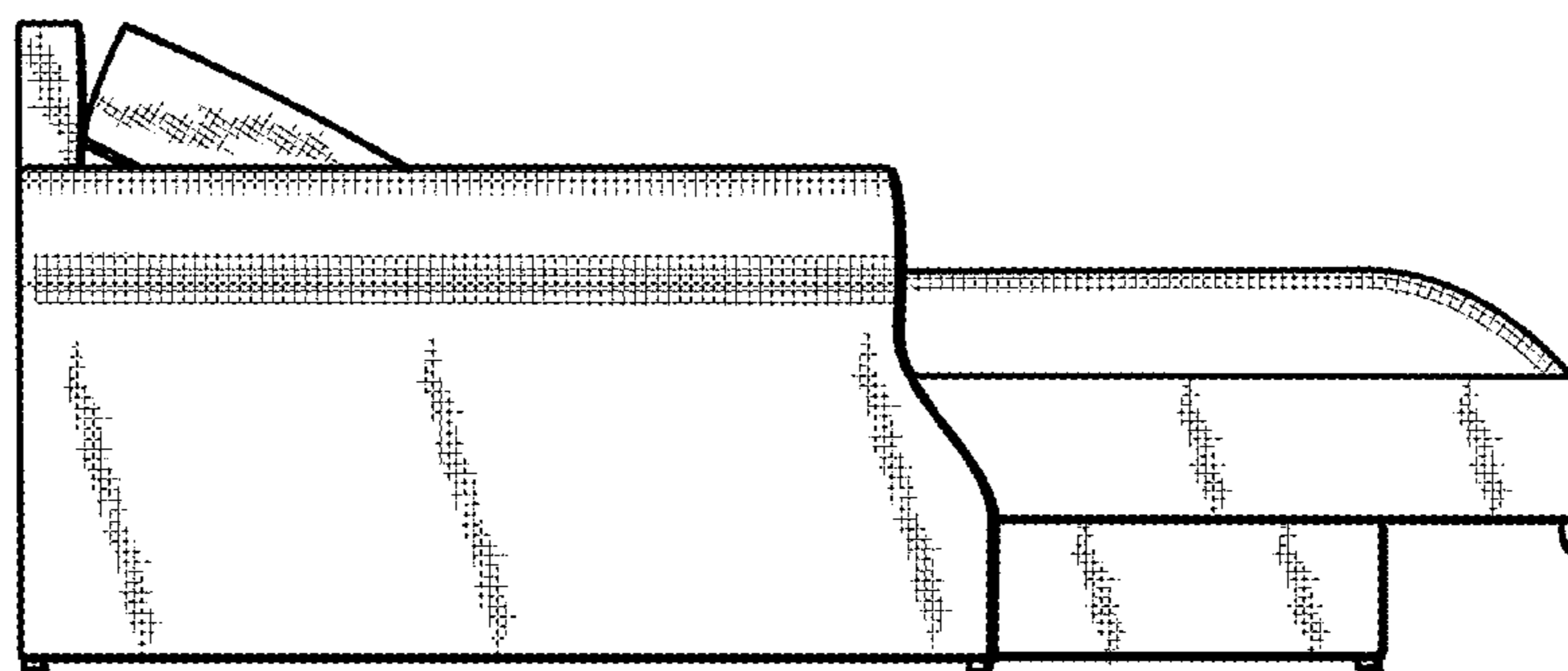


FIG. 6

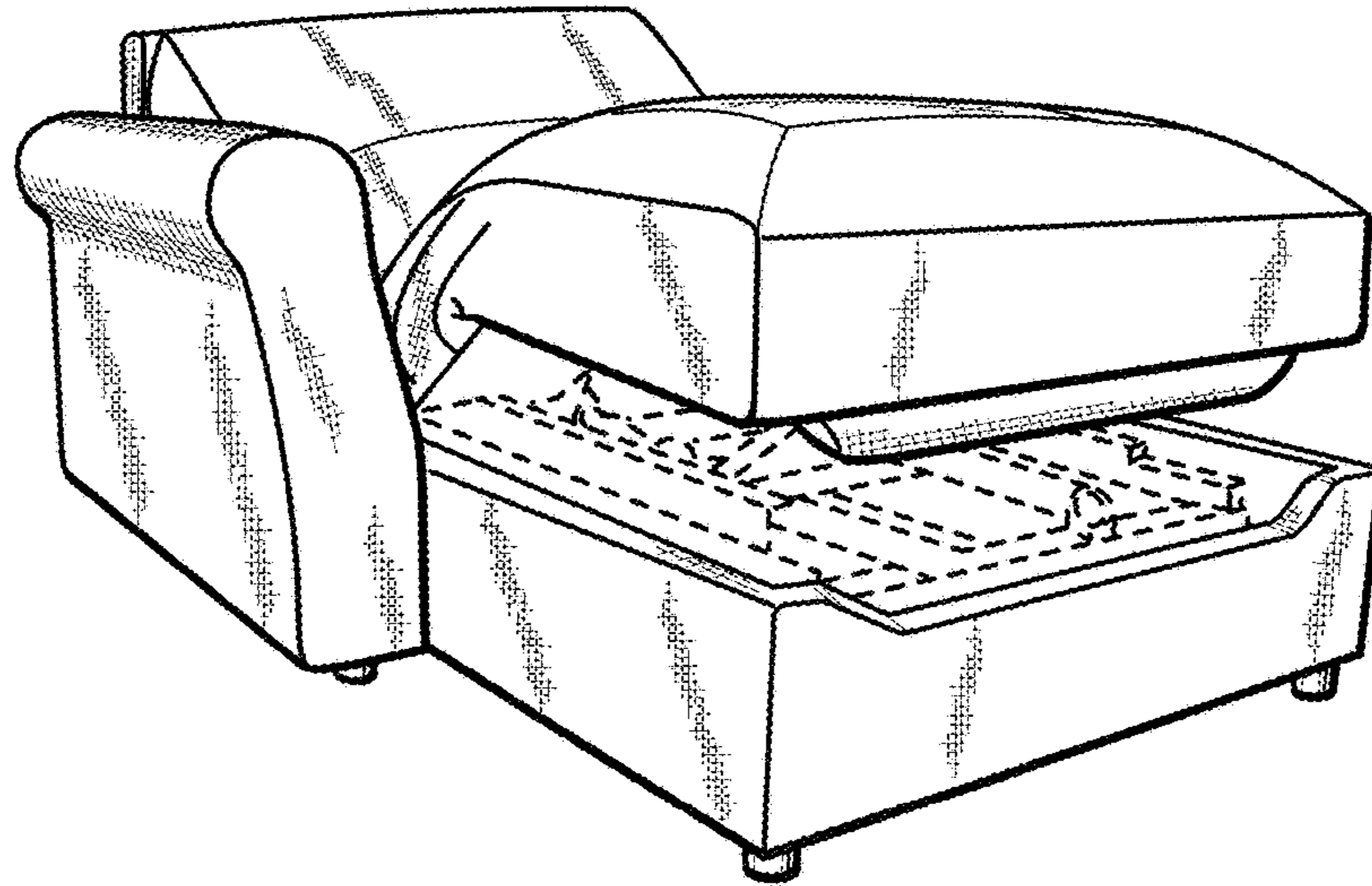


FIG. 7

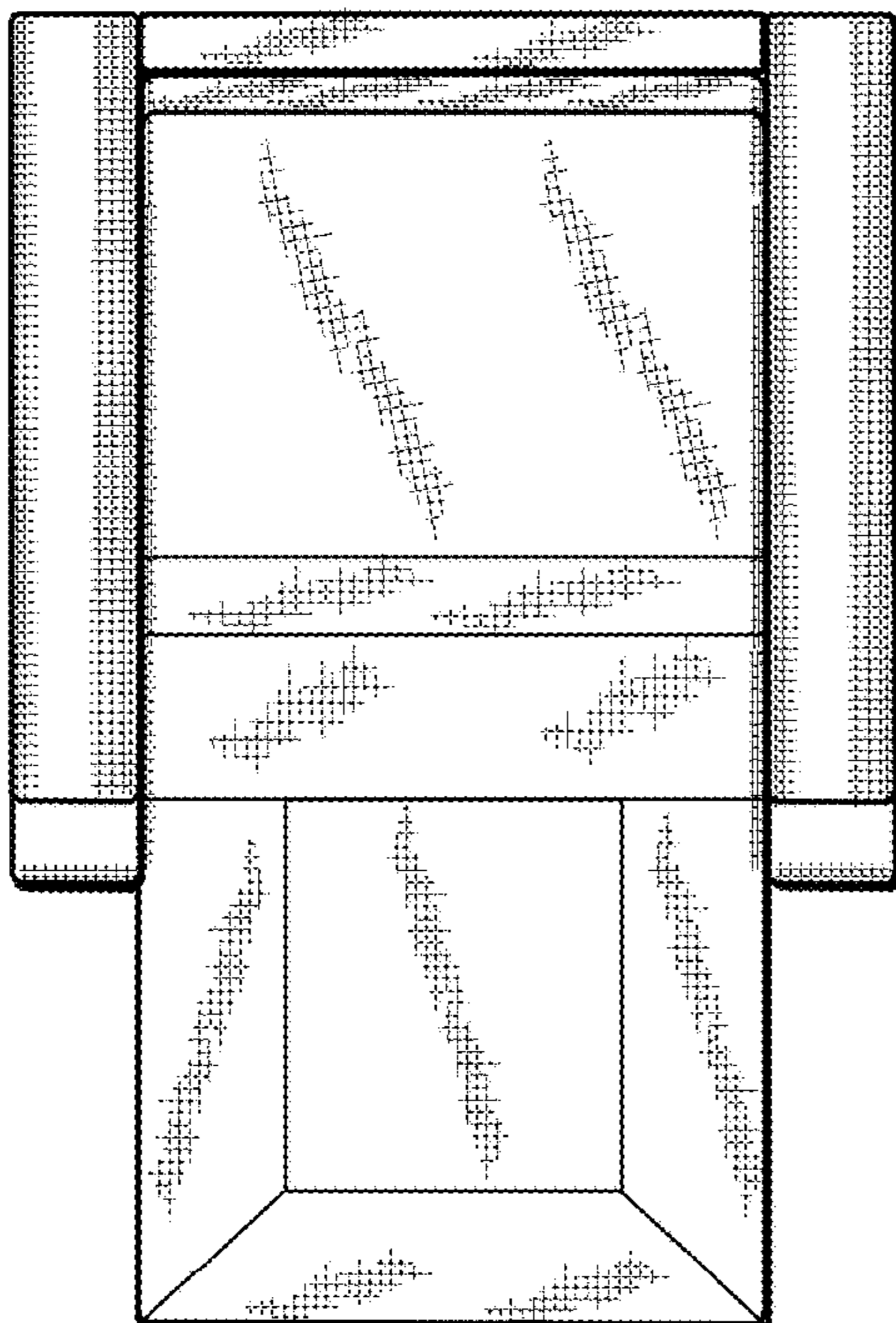


FIG. 8

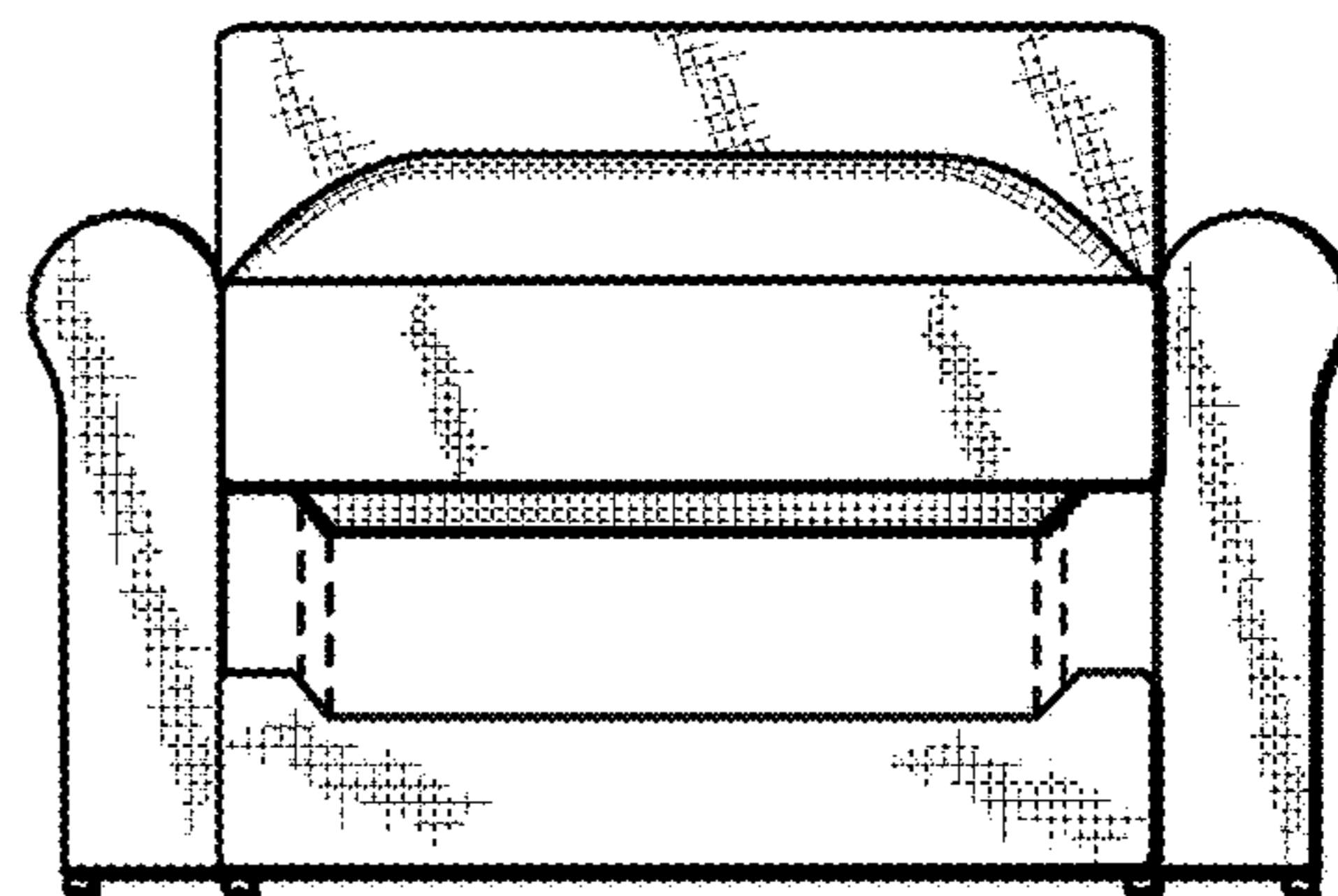


FIG. 9

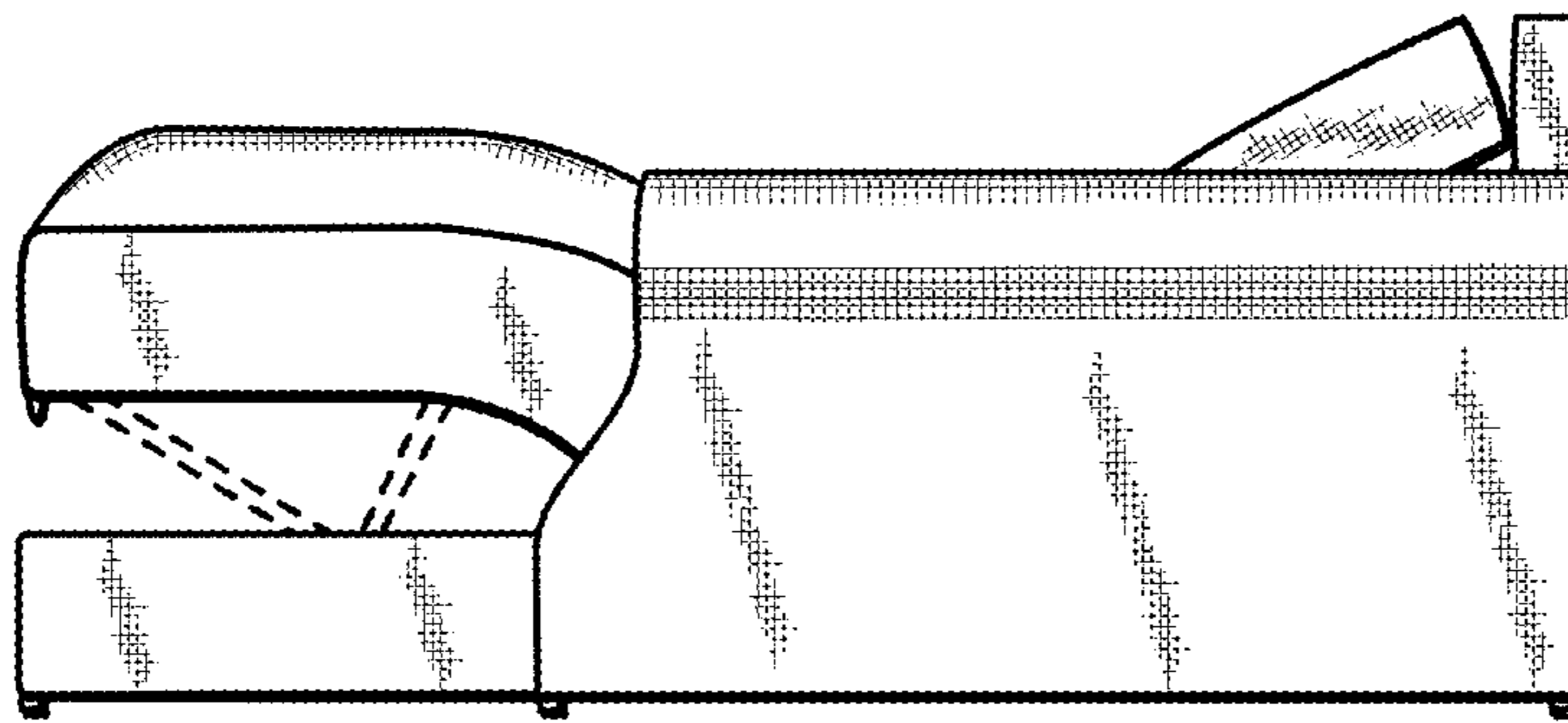


FIG. 10

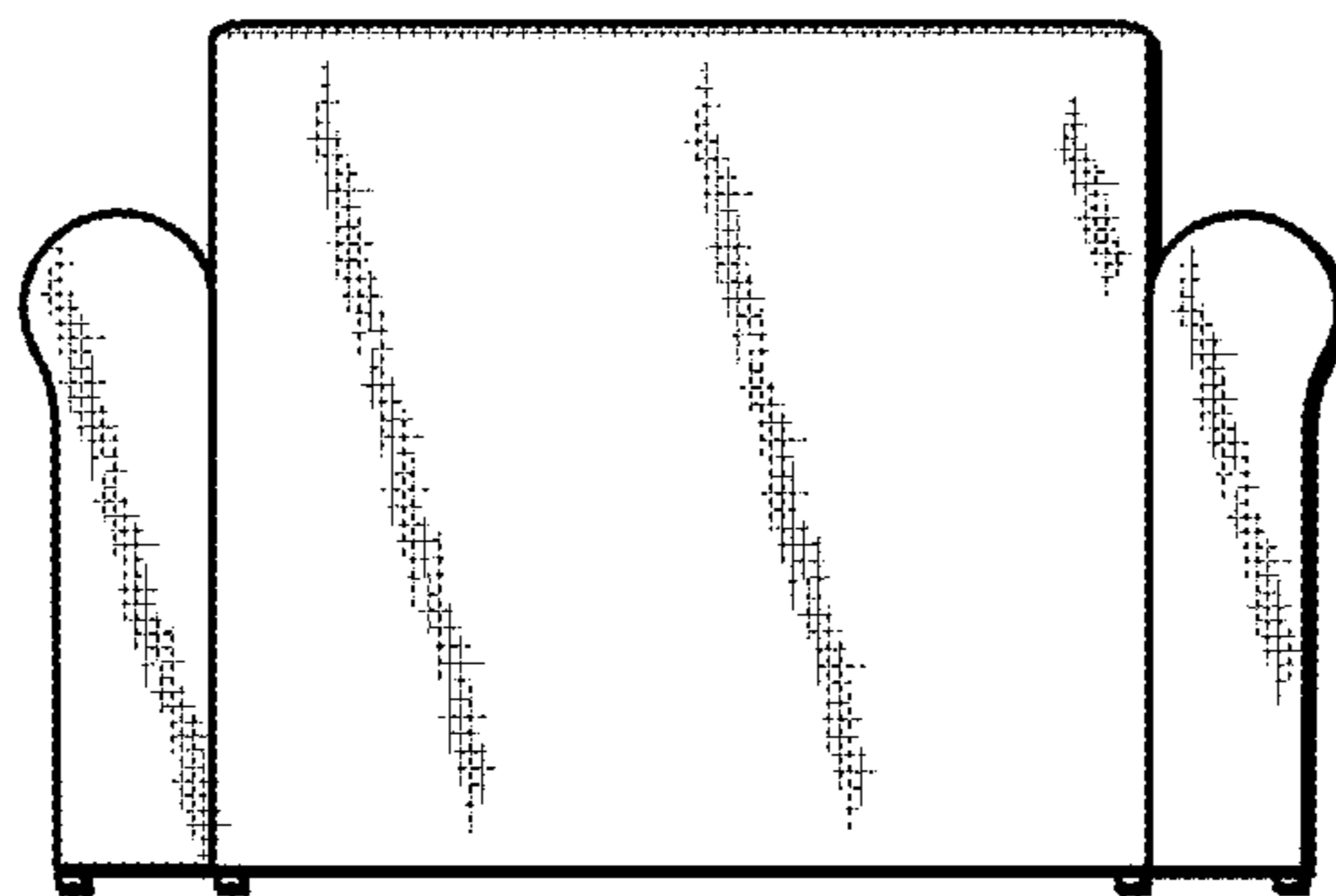


FIG. 11

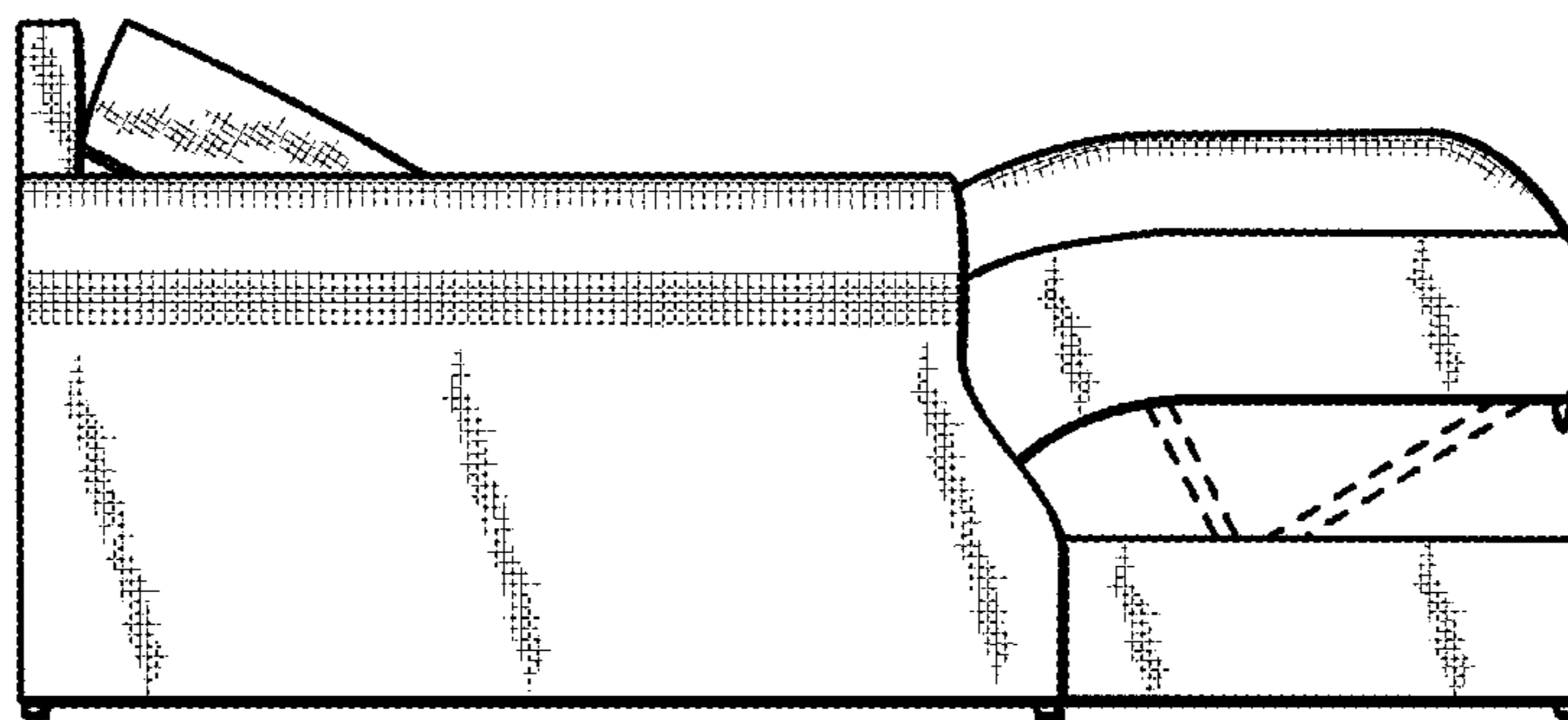


FIG. 12