



US00D776946S

(12) **United States Design Patent**  
**Sudhakar**

(10) **Patent No.:** **US D776,946 S**  
(45) **Date of Patent:** **\*\* Jan. 24, 2017**

(54) **TABLET**

(71) Applicant: **Chandra Maurya Pte. Ltd.**, High Street Center (SG)

(72) Inventor: **Ashok Em Sudhakar**, Las Vegas, NV (US)

(\*\*) Term: **15 Years**

(21) Appl. No.: **29/540,779**

(22) Filed: **Sep. 28, 2015**

**Related U.S. Application Data**

(63) Continuation of application No. 29/486,259, filed on Mar. 27, 2014, now Pat. No. Des. 740,572.

(51) **LOC (10) Cl.** ..... **06-07**

(52) **U.S. Cl.**  
USPC ..... **D6/311; D6/304**

(58) **Field of Classification Search**  
USPC ..... D6/300-314; D20/41, 43; 40/700, 40/745-750, 753, 756, 768, 711; 248/466, 248/469-472, 476, 477; D14/126  
CPC A47G 1/06; A47G 1/0616; A47G 2001/0666; A47G 2001/0677; A47G 2001/0694; H04N 1/00519  
See application file for complete search history.

(56) **References Cited**

**U.S. PATENT DOCUMENTS**

D248,795 S \* 8/1978 Restaino ..... D20/43  
D255,745 S \* 7/1980 Pedersen ..... 40/746  
D639,267 S \* 6/2011 DeLorenzo ..... D14/130

D740,572 S \* 10/2015 Sudhakar ..... D6/304  
D750,066 S \* 2/2016 Lin ..... D14/341  
2007/0181771 A1\* 8/2007 Alcov ..... H04N 1/00519  
248/466  
2014/0175253 A1\* 6/2014 Huang ..... F16M 11/105  
248/558  
2015/0272350 A1\* 10/2015 Frankenstein ..... A47G 1/06  
40/711  
2016/0066714 A1\* 3/2016 Kunipo ..... A47G 1/0616  
40/711

\* cited by examiner

*Primary Examiner* — Cathron Brooks  
*Assistant Examiner* — Teddy Falloway  
(74) *Attorney, Agent, or Firm* — Price Heneveld LLP

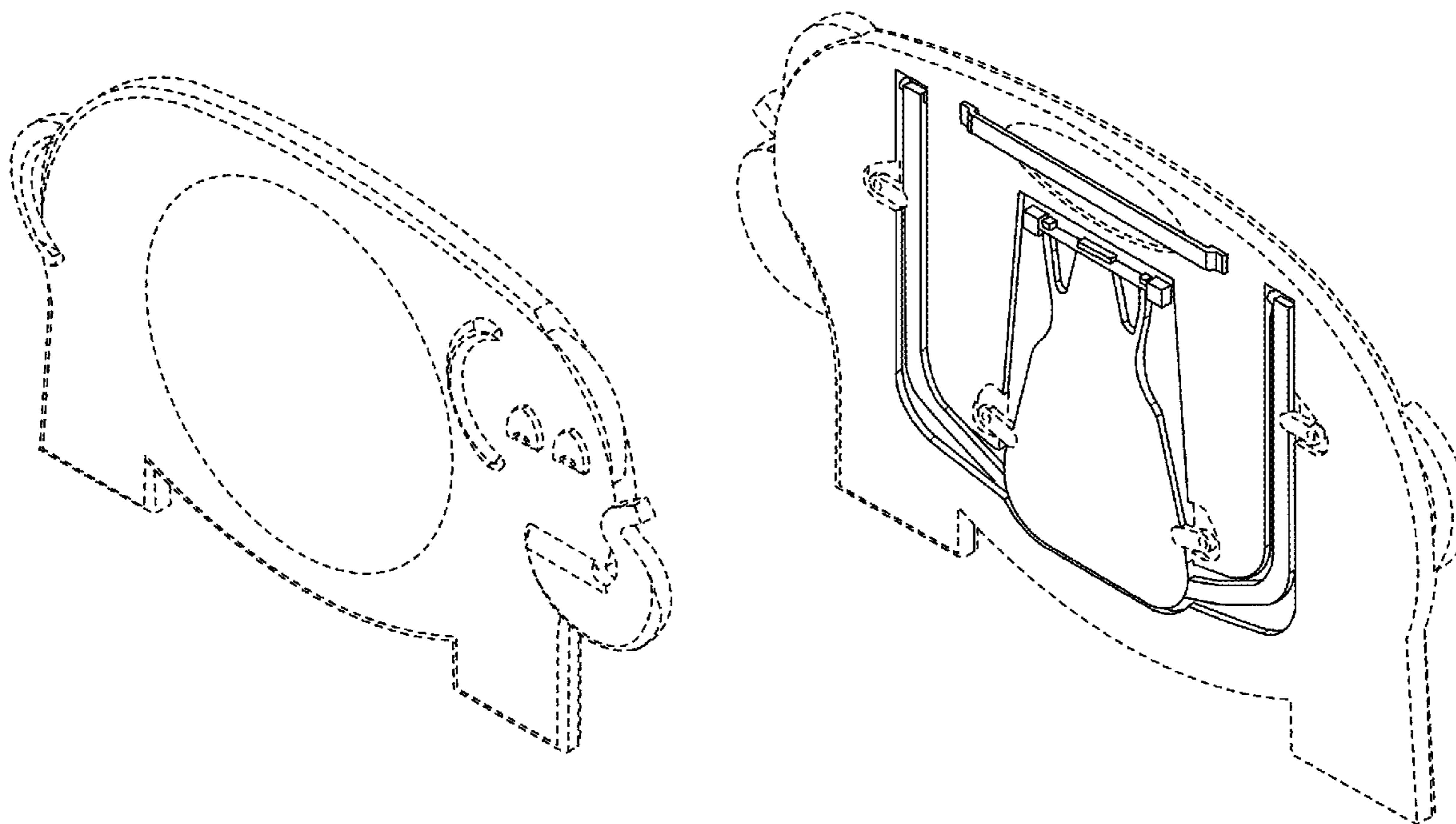
(57) **CLAIM**

The ornamental design for the tablet, as shown and described.

**DESCRIPTION**

FIG. 1 is a front perspective view of a tablet embodying the present invention;  
FIG. 2 is a rear perspective view of the tablet;  
FIG. 3 is a front view of the tablet;  
FIG. 4 is a side view of the tablet;  
FIG. 5 is a second side view of the tablet;  
FIG. 6 is a rear view of the tablet;  
FIG. 7 is a bottom view of the tablet; and,  
FIG. 8 is a top view of the tablet.  
The broken lines shown in the figures are for purposes of illustrating portions of the tablet that form no part of the claimed design.

**1 Claim, 7 Drawing Sheets**



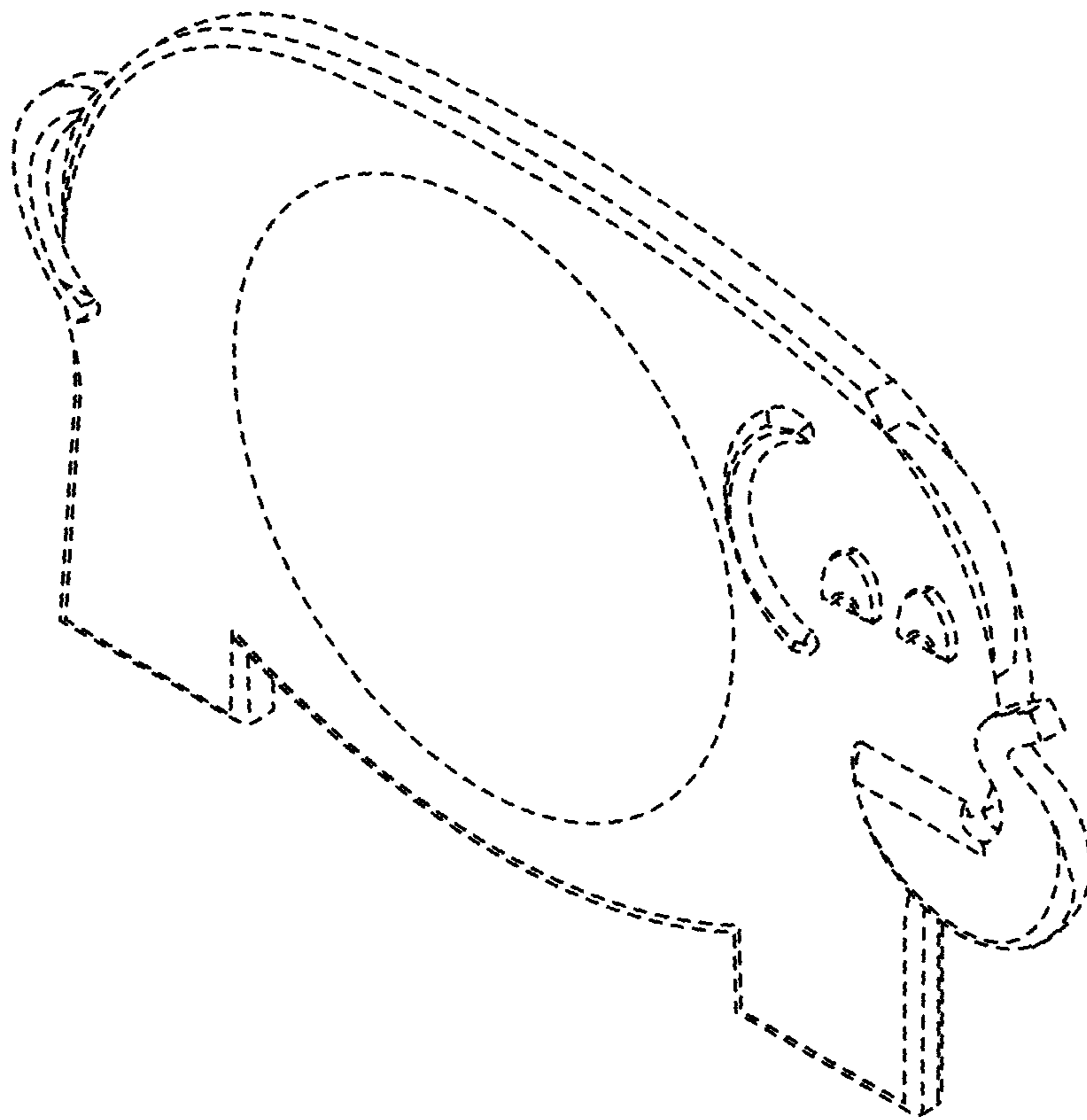


FIG. 1

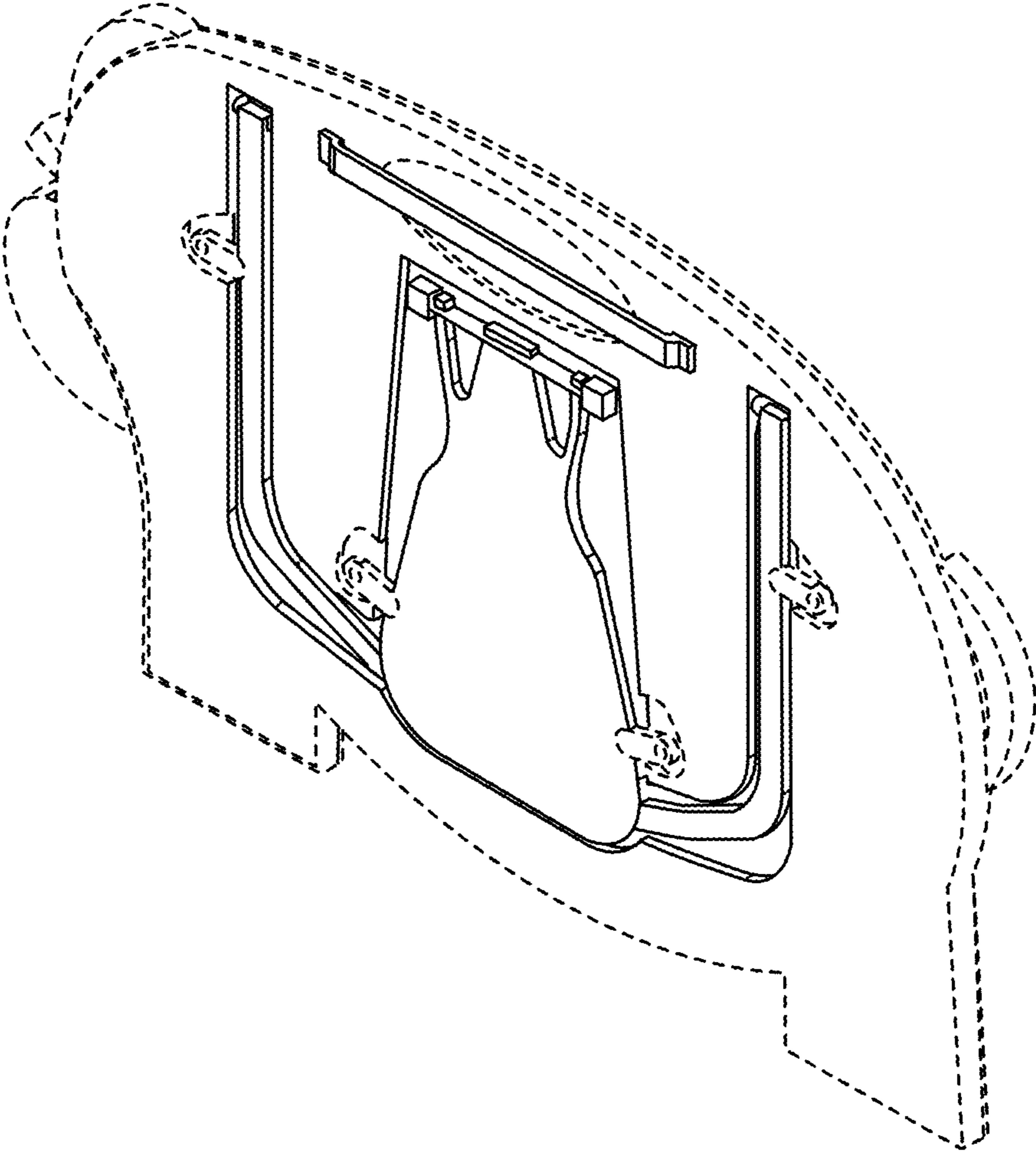


FIG. 2

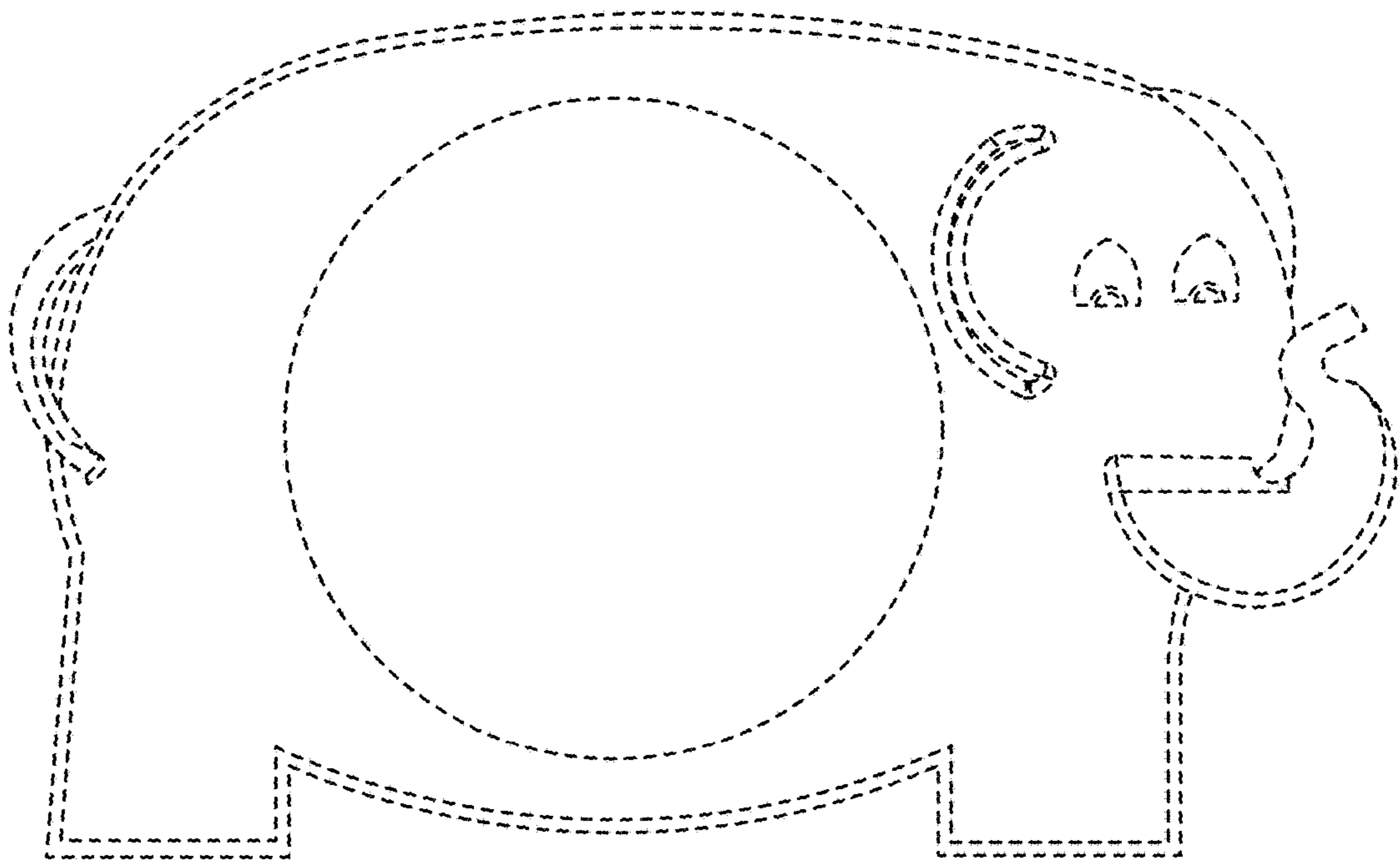


FIG. 3

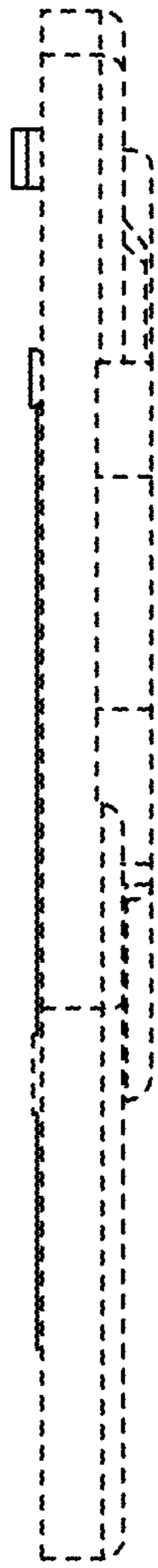


FIG. 4

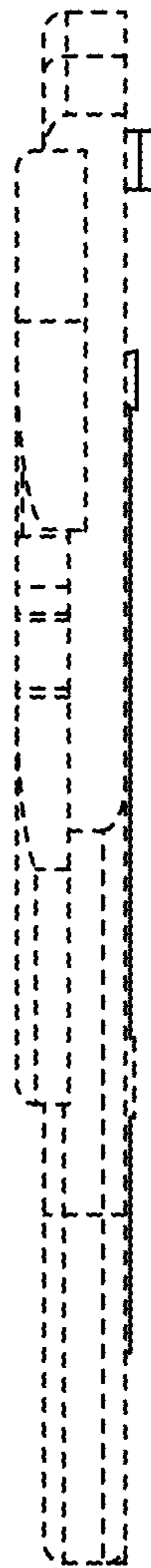


FIG. 5

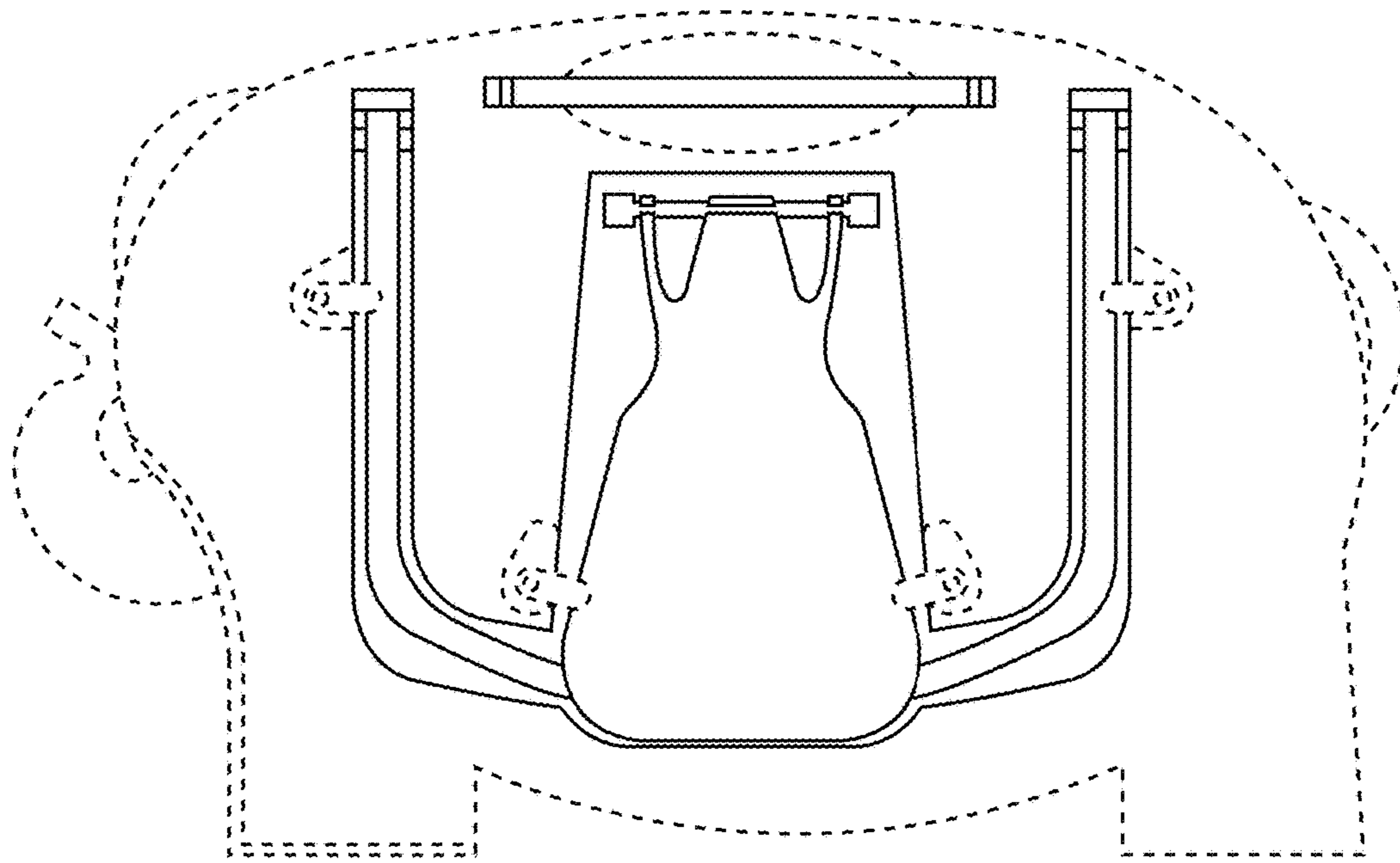


FIG. 6





FIG. 7



FIG. 8