



US00D776943S

(12) **United States Design Patent**
Gunderson

(10) **Patent No.:** **US D776,943 S**
(45) **Date of Patent:** **** Jan. 24, 2017**

- (54) **KEEPSAKE DISPLAY**
- (71) Applicant: **Tracey Renee Busch Gunderson**,
Algoma, WI (US)
- (72) Inventor: **Tracey Renee Busch Gunderson**,
Algoma, WI (US)
- (**) Term: **14 Years**
- (21) Appl. No.: **29/523,982**
- (22) Filed: **Apr. 15, 2015**
- (51) **LOC (10) Cl.** **06-07**
- (52) **U.S. Cl.**
USPC **D6/300**
- (58) **Field of Classification Search**
USPC D8/16, 19, 375, 374, 381, 382, 380;
D6/547, 323, 325, 300, 301, 303; D26/26,
D26/138, 155, 60, 72, 74, 142
CPC A47K 1/09; A47K 2201/02; A47K 10/04;
A47K 17/00; A47K 2010/3253; A47K
10/10; A47K 5/00; A47H 1/102; Y10S
242/90; Y10T 225/232; Y10T 225/247;
Y10T 24/1696
See application file for complete search history.

- (56) **References Cited**
U.S. PATENT DOCUMENTS
2,321,563 A * 6/1943 Penley D06F 55/00
24/332
2,782,482 A * 2/1957 Baril D06F 55/00
24/501
3,131,449 A * 5/1964 Chiyoichi D06F 55/02
24/327
3,192,585 A * 7/1965 Montag D06F 55/00
24/343
3,656,630 A * 4/1972 Miguel D06F 53/02
211/119.11

- 4,277,864 A * 7/1981 Orson, Sr. A44B 99/00
24/327
- D277,584 S * 2/1985 Annstedt D20/41
- 4,614,008 A * 9/1986 Brill D06F 55/02
24/501
- D358,475 S * 5/1995 Choksi D3/218
- 5,546,640 A * 8/1996 Kronauer A47G 25/485
24/499
- 5,564,166 A * 10/1996 Roy A45F 5/02
24/13
- 6,301,751 B1 * 10/2001 Ohlson A44C 3/001
24/3.11
- D468,356 S * 1/2003 Snell D19/65
- D479,654 S * 9/2003 Henick D6/301
- D485,994 S * 2/2004 Oen D6/300
- D495,501 S * 9/2004 Hahn D6/300

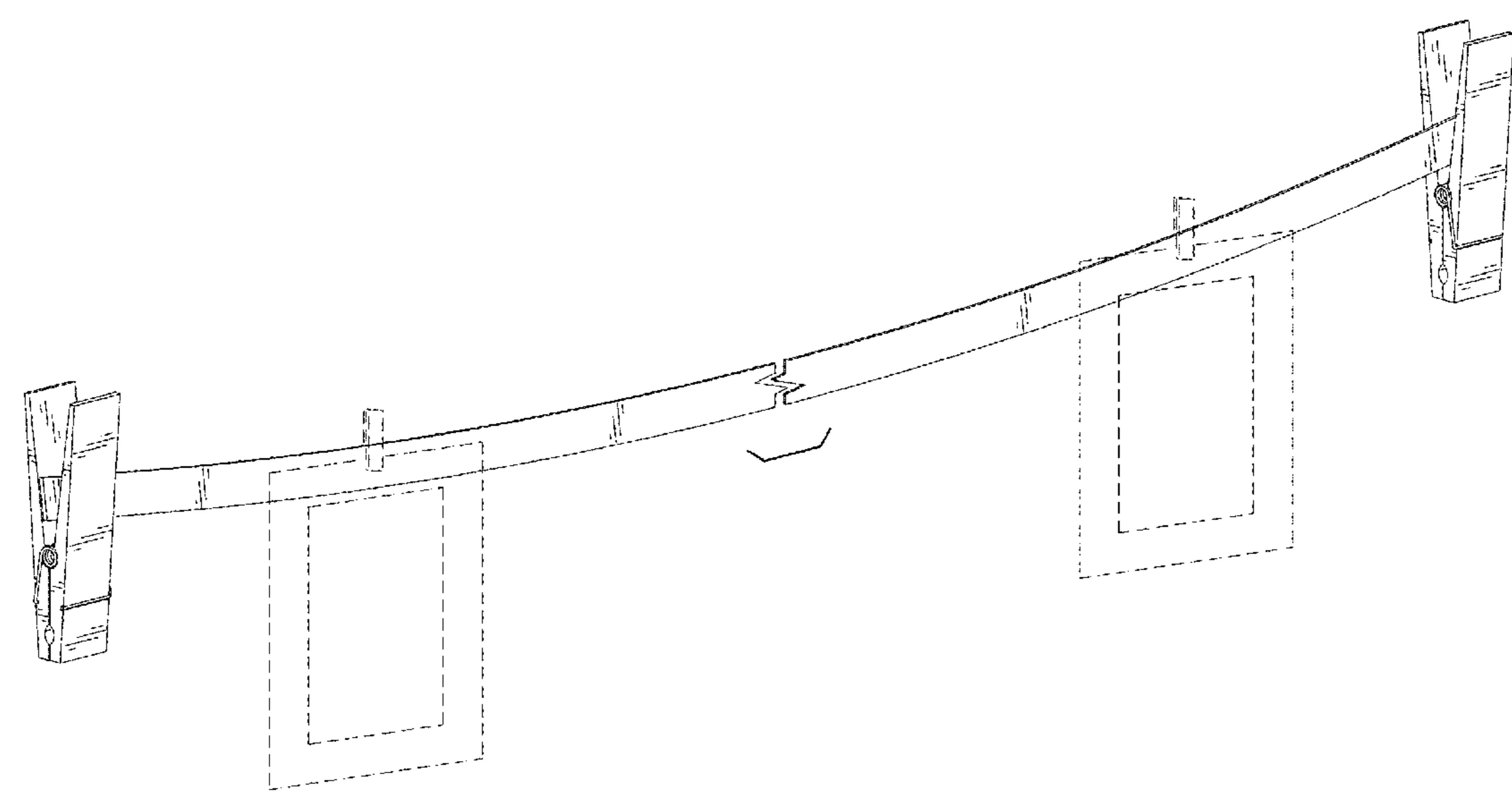
(Continued)

Primary Examiner — Robert M Spear
Assistant Examiner — Eliza Bennett-Hattan
(74) *Attorney, Agent, or Firm* — Dunlap Bennett &
Ludwig PLLC

(57) **CLAIM**
The ornamental design for a keepsake display, as shown and
described.

DESCRIPTION
FIG. 1 is a front perspective view of a keepsake display;
FIG. 2 is a front elevation view thereof;
FIG. 3 is a rear elevation view thereof;
FIG. 4 is a left side elevation view thereof; the right side
elevation view being a mirror image thereof;
FIG. 5 is a top plan view thereof; and,
FIG. 6 is a bottom plan view thereof.
The broken lines shown in the drawings illustrate portions of
the keepsake display that form no part of the claimed design.
The keepsake display is shown with a symbolic break in its
length. The appearance of any portion of the article between
the break lines forms no part of the claimed design.

1 Claim, 3 Drawing Sheets



(56)

References Cited

U.S. PATENT DOCUMENTS

6,854,609 B1 * 2/2005 Hettinger A47F 7/0071
211/85.4
D530,102 S * 10/2006 Vincent D6/301
D586,129 S * 2/2009 van der Lande D6/301
7,665,640 B2 * 2/2010 Misumi A47G 25/483
223/95
D633,250 S * 2/2011 Kao D26/140
D648,395 S * 11/2011 Bensoussan D19/91
8,091,716 B2 * 1/2012 Bair A47F 5/04
211/205
D660,604 S * 5/2012 Barnett D6/323
D742,354 S * 11/2015 McNamara D14/205

* cited by examiner

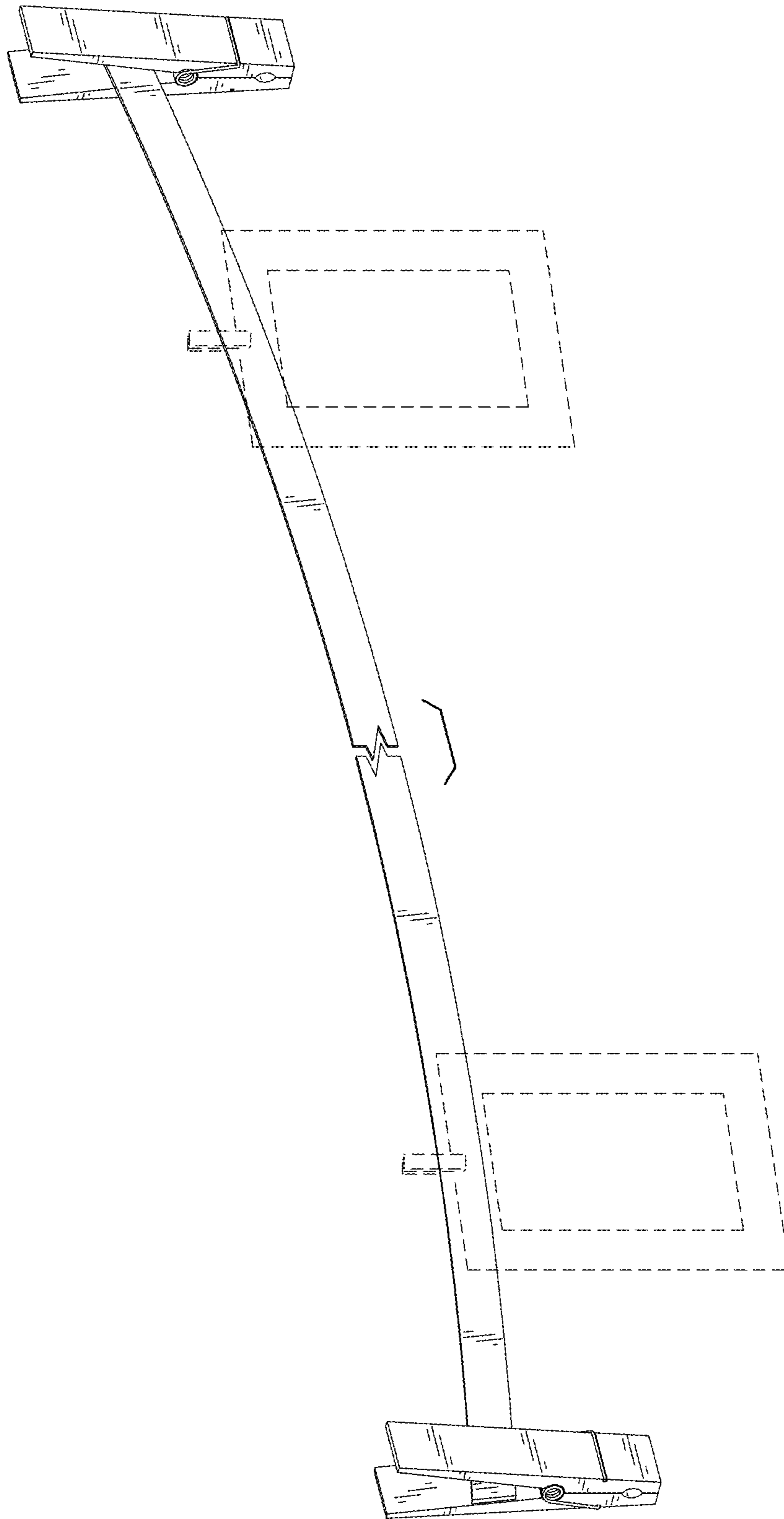


FIG. 1

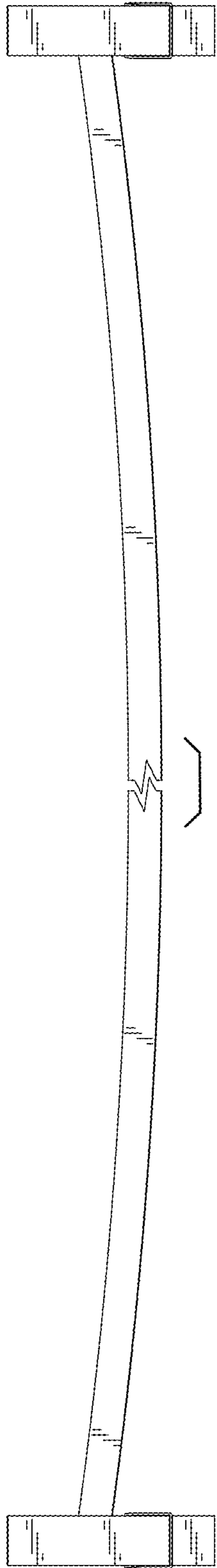


FIG. 2

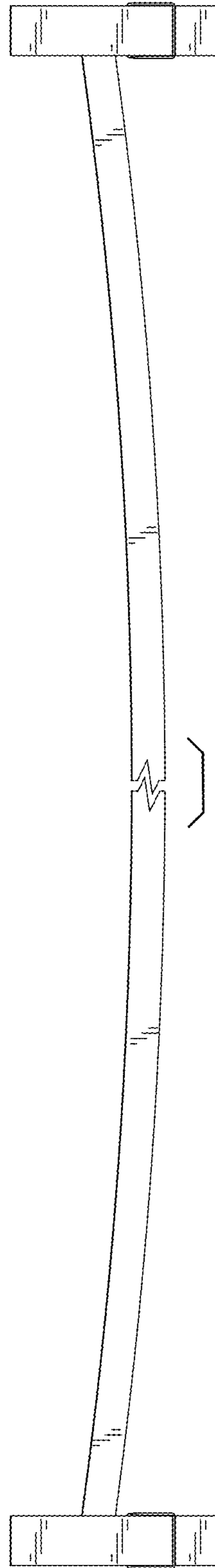


FIG. 3

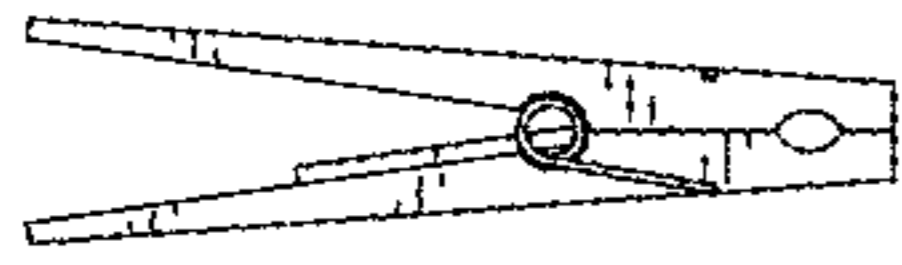


FIG. 4

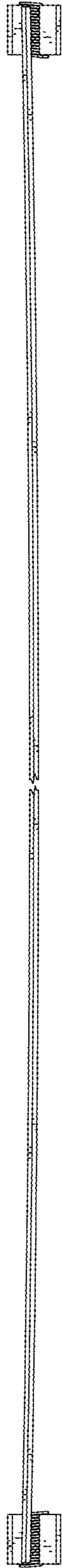


FIG. 5

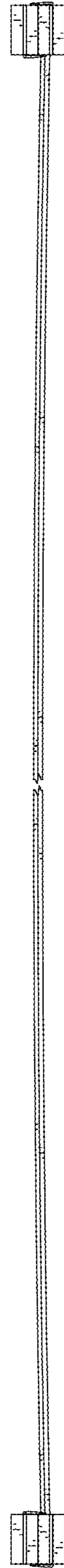


FIG. 6