



US00D776942S

(12) **United States Design Patent** (10) **Patent No.:** **US D776,942 S**
Olson et al. (45) **Date of Patent:** **** *Jan. 24, 2017**

(54) **DISPLAY BASE** 3/13; G09F 19/22; G09F 15/0018; G09F 13/0404; G06F 2200/1633

(71) Applicant: **3M INNOVATIVE PROPERTIES COMPANY**, St. Paul, MN (US) See application file for complete search history.

(72) Inventors: **Judd D. Olson**, Deephaven, MN (US); **Thomas W. Floyd**, St. Paul, MN (US); **Kevin E. Kinzer**, Forest Lake, MN (US); **Stephan A. Hawthorne**, St. Paul, MN (US); **Sandra K. Nowak**, St. Paul, MN (US); **Irina Hass**, Woodbury, MN (US); **Linda W. Suszko**, Stillwater, MN (US)

(56) **References Cited**

U.S. PATENT DOCUMENTS

(73) Assignee: **3M INNOVATIVE PROPERTIES COMPANY**, St. Paul, MN (US)

(*) Notice: This patent is subject to a terminal disclaimer.

(**) Term: **14 Years**

(21) Appl. No.: **29/521,058**

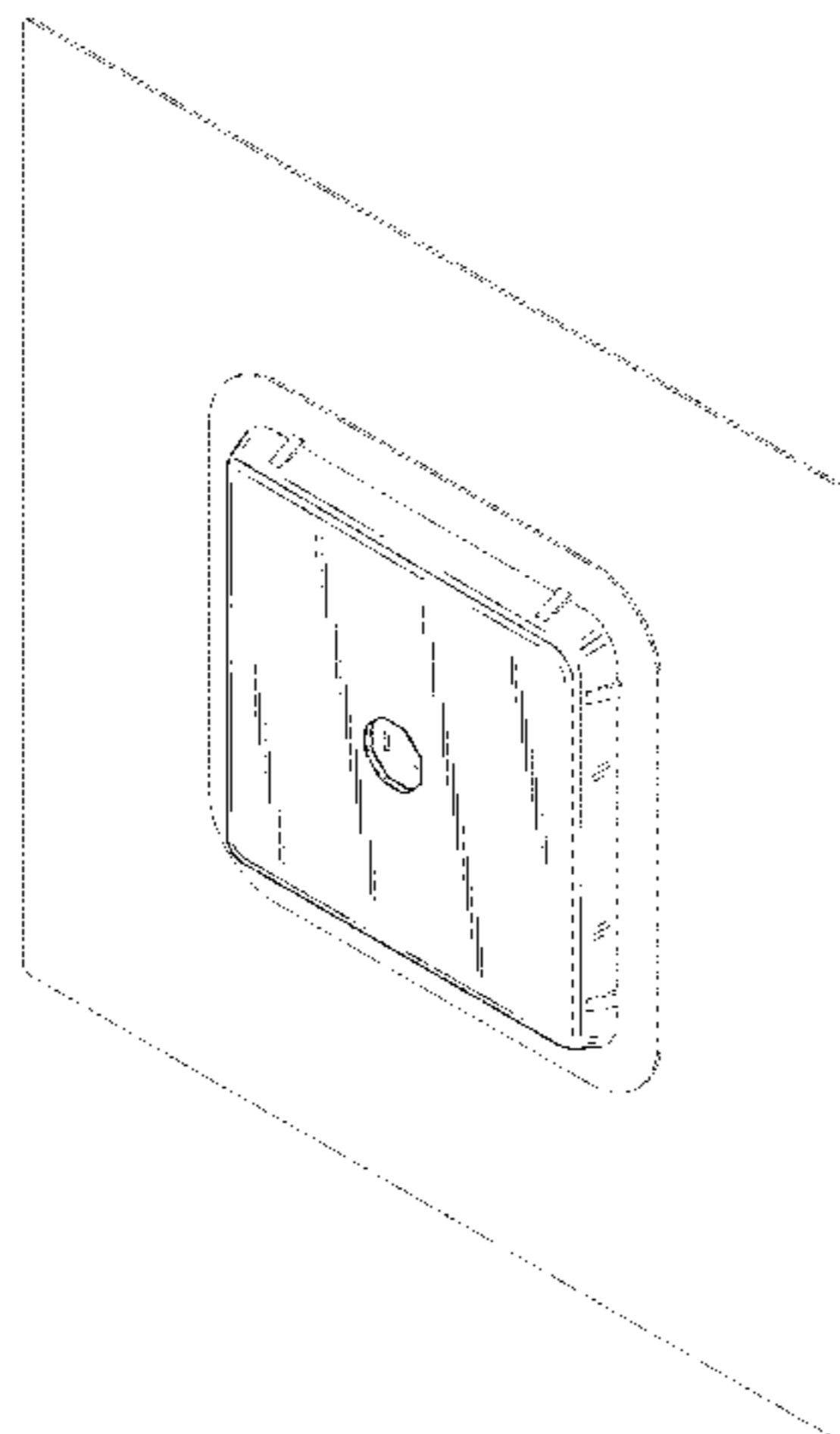
(22) Filed: **Mar. 19, 2015**

(51) **LOC (10) Cl.** **06-07**

(52) **U.S. Cl.**
USPC **D6/300**

(58) **Field of Classification Search**
USPC D6/300-314, 553; D9/432, 433, 424, D9/430, 414, 415, 418, 737, 740, D9/743-745, 759, 760; D7/354, 553.3, D7/553.2; 248/467; D10/21, 24, 25; D11/131, 132, 140; 428/900; 40/711, 730, 40/754, 746, 757, 461, 781, 597, 600; D14/315-318, 341-344, 129, 130, 496, D14/137
CPC A47G 1/06; A47G 1/142; A47G 1/0616; A47G 1/0638; A47G 1/065; A47G 1/1686; A47G 1/17; A47G 2001/0666; A47G 2001/0672; B65D 2543/00194; B65D 2543/00092; B65D 2543/00101; B65D 2543/00157; A21B

1,610,423 A	12/1926	Cawley	
3,278,109 A *	10/1966	Salway	B65D 5/6626 206/484
3,885,336 A	5/1975	Olsen	
3,952,435 A	4/1976	Olsen	
3,979,846 A	9/1976	Euzarraga	
4,040,593 A	8/1977	Wiley	
4,143,496 A	3/1979	Destito	
4,167,385 A *	9/1979	DeRezendes	B28B 7/46 425/410
4,437,639 A	3/1984	Stein	
4,561,200 A	12/1985	Hehn	
D282,825 S	3/1986	Kostios	
D283,488 S *	4/1986	Stevens	D9/415
D292,044 S *	9/1987	Billiet	D6/300
4,716,503 A *	12/1987	Chappell	G09G 13/04 315/DIG. 5
D295,922 S *	5/1988	Huffman	D6/308
4,875,259 A	10/1989	Appeldorn	
4,892,284 A	1/1990	Kelrick	
4,900,604 A	2/1990	Martinez et al.	
4,979,323 A	12/1990	Wenkman et al.	
5,069,411 A	12/1991	Murphy	
5,075,991 A	12/1991	Wenkman et al.	
5,077,870 A	1/1992	Melbye	
5,133,526 A	7/1992	Olmsted	
5,201,110 A	4/1993	Bane	
5,256,231 A	10/1993	Gorman	
D340,810 S	11/1993	Wenkman	
5,342,014 A	8/1994	Wilson	
5,360,270 A	11/1994	Appeldorn	
5,523,129 A	6/1996	McGeehan-Hatch	
D377,451 S	1/1997	Gumowitz et al.	
5,616,394 A	4/1997	Gorman et al.	
D380,962 S	7/1997	Trigger	
5,743,507 A	4/1998	Rushing	
5,845,375 A	12/1998	Miller et al.	
5,878,987 A	3/1999	Hayde	
5,931,439 A	8/1999	Lemire	
5,947,438 A	9/1999	Lemire	
D416,754 S *	11/1999	Laib	D7/391
6,032,915 A	3/2000	Brindisi	
6,086,973 A	7/2000	Hazes	
6,241,210 B1	6/2001	Brindisi	



(56)

References Cited

U.S. PATENT DOCUMENTS

D445,262 S * 7/2001 Rowan D6/300
 6,408,795 B1 6/2002 Goodger
 D463,741 S 10/2002 Green
 6,527,244 B1 3/2003 Kamenstein et al.
 D475,620 S 6/2003 Chen et al.
 6,666,425 B1 12/2003 Ferguson
 6,692,807 B2 2/2004 Bries
 D489,599 S 5/2004 Lam
 6,820,853 B1 11/2004 DuBarry
 6,832,445 B2 12/2004 Pitzen
 6,972,141 B1 12/2005 Bries et al.
 D519,375 S 4/2006 Brooks
 D542,100 S * 5/2007 Kim D7/629
 7,303,805 B2 12/2007 Seth
 D559,556 S * 1/2008 Puig D6/300
 D571,146 S 6/2008 Sanfilippo et al.
 D584,141 S * 1/2009 Smith D9/414
 D590,655 S * 4/2009 Freeman D7/354
 7,516,524 B2 4/2009 Provost et al.
 D591,555 S * 5/2009 Sanfilippo D7/391
 D600,111 S * 9/2009 Gerulski D9/424
 D600,501 S * 9/2009 Bizzell D7/541
 D618,998 S * 7/2010 Pendergrass D9/424
 7,762,517 B1 7/2010 Leseman
 D623,454 S * 9/2010 Berkowitz D6/524
 D632,955 S * 2/2011 Smith, III D9/415
 7,913,967 B1 3/2011 Aleo
 D653,496 S * 2/2012 Henry D7/354
 8,146,766 B2 * 4/2012 Vovan B65D 43/021
 220/212
 D661,601 S * 6/2012 Sanfilippo D9/737
 8,397,411 B2 3/2013 Russo
 D679,179 S * 4/2013 Ritter D9/424
 D688,941 S * 9/2013 Sifuentes D7/602
 D694,101 S * 11/2013 Radomyselski D9/415
 D701,457 S * 3/2014 Murphy D9/426
 D723,864 S * 3/2015 Thurin D7/392.1
 D739,661 S * 9/2015 Vanderheyden D6/300
 D741,069 S * 10/2015 Vanderheyden D6/300
 D742,124 S * 11/2015 Vanderheyden D6/300
 D746,602 S * 1/2016 Olson D6/300
 D746,603 S * 1/2016 Gale D6/300
 D762,083 S * 7/2016 Librus D7/354
 2002/0125169 A1 * 9/2002 Bores H01L 21/67379
 206/711
 2002/0142155 A1 10/2002 Steinberg
 2002/0175164 A1 * 11/2002 Dees B65D 11/188
 220/4.24
 2004/0221540 A1 11/2004 Simons
 2005/0136214 A1 6/2005 Most
 2005/0269232 A1 12/2005 Eisenbraun
 2006/0214080 A1 9/2006 De Keratry
 2007/0065618 A1 3/2007 Fischer
 2007/0075211 A1 4/2007 Potter
 2008/0149792 A1 * 6/2008 Nurenberg F24F 13/078
 248/222.41
 2009/0068632 A1 3/2009 Thompson
 2010/0096532 A1 4/2010 Grev
 2010/0108837 A1 5/2010 Felton
 2010/0116964 A1 5/2010 Aleo
 2010/0147846 A1 * 6/2010 Soibel B65D 43/0212
 220/202
 2010/0155289 A1 * 6/2010 Nazareth B65D 43/0241
 206/557
 2010/0325929 A1 * 12/2010 Favron G08B 7/062
 40/638
 2011/0031153 A1 * 2/2011 Vovan B65D 1/34
 206/503
 2011/0042542 A1 2/2011 Russo et al.
 2011/0049325 A1 3/2011 Johnson et al.
 2011/0159234 A1 6/2011 Pai
 2011/0163215 A1 7/2011 Walters
 2012/0175492 A1 * 7/2012 Guiliani A47J 43/20
 249/140

2012/0233898 A1 9/2012 Horne
 2013/0008013 A1 1/2013 Chang
 2014/0065278 A1 * 3/2014 Feriola A21D 8/06
 426/523
 2014/0353455 A1 12/2014 Floyd
 2015/0069063 A1 * 3/2015 Yang B65D 43/0212
 220/319

FOREIGN PATENT DOCUMENTS

CN 300929032 5/2009
 CN 302982853 10/2014
 TW 130587 9/2009
 TW 138439 1/2011
 WO WO 96/16580 6/1996

OTHER PUBLICATIONS

Woodford Design Wallmount, available Apr. 17, 2013, [online], [site visited Aug. 21, 2015]. Available from internet, <URL: <http://www.woodforddesign.com/products/wallmount>>.*
 OtterBox Tablet Mount (Amazon), available Jan. 1, 2015, [online], [site visited Aug. 21, 2015]. Available from internet, <URL: http://www.amazon.com/OtterBox-Tablet-Mount-AGILITY-CHAR-COAL/dp/B00RGMDWP0/ref=sr_1_5?ie=UTF8&qid=1440164917&sr=8-5&keywords=otterbox+agility>.*
 Pan, U.S. Appl. No. 29/519,475, filed Mar. 5, 2015, entitled, "Decorative Display Riser".
 Olson, U.S. Appl. No. 29/520,978, filed Mar. 19, 2015, entitled, "Display Base".
 Olson, U.S. Appl. No. 29/520,985, filed Mar. 19, 2015, entitled, "Display Base".
 Olson, U.S. Appl. No. 29/520,989, filed Mar. 19, 2015, entitled, "Display Base".
 Olson, U.S. Appl. No. 29/520,995, filed Mar. 19, 2015, entitled, "Display Base".
 Olson, U.S. Appl. No. 29/521,021, filed Mar. 19, 2015, entitled, "Display Base".
 Olson, U.S. Appl. No. 29/521,041, filed Mar. 19, 2015, entitled, "Display Base".
 Vanderheyden, U.S. Appl. No. 29/484,172, filed Mar. 6, 2014, entitled "Decorative Display".
 Vanderheyden, U.S. Appl. No. 29/484,184, filed Mar. 6, 2014, entitled "Decorative Display Base".
 Vanderheyden, U.S. Appl. No. 29/484,169, filed Mar. 6, 2014, entitled "Decorative Display".

* cited by examiner

Primary Examiner — Cathron Brooks
 Assistant Examiner — Teddy Falloway
 (74) Attorney, Agent, or Firm — Irina Hass

(57) CLAIM

The ornamental design for a display base, as shown and described.

DESCRIPTION

FIG. 1 is a perspective view showing the new design for a display base;
 FIG. 2 is a front view thereof;
 FIG. 3 is a rear view thereof;
 FIG. 4 is a right side view thereof, a left side view being a mirror image; and
 FIG. 5 is a top view thereof, a bottom view being a mirror image;
 FIG. 6 is a perspective view of a second embodiment showing the new design for a display base;
 FIG. 7 is a front view thereof;

FIG. 8 is a rear view thereof;
FIG. 9 is a right side view thereof, a left side view being a mirror image; and
FIG. 10 is a top view thereof, a bottom view being a mirror image;
FIG. 11 is a perspective view of a third embodiment showing the new design for a display base;
FIG. 12 is a front view thereof;
FIG. 13 is a rear view thereof;

FIG. 14 is a right side view thereof, a left side view being a mirror image; and,
FIG. 15 is a top view thereof, a bottom view being a mirror image.
The portions of the display base in FIGS. 1-15 shown in broken lines are included to show features that form no part of the claimed design.

1 Claim, 12 Drawing Sheets

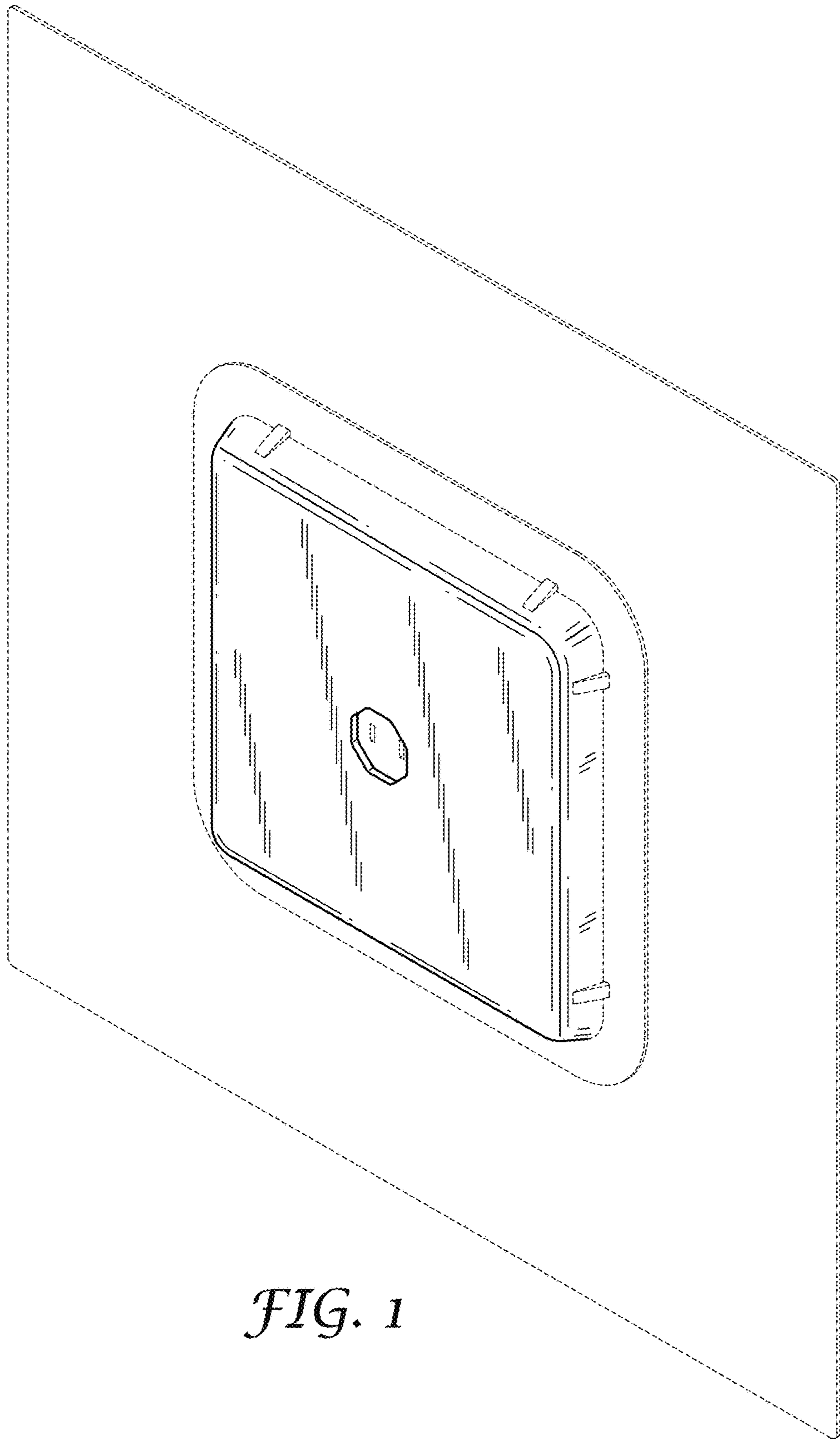


FIG. 1

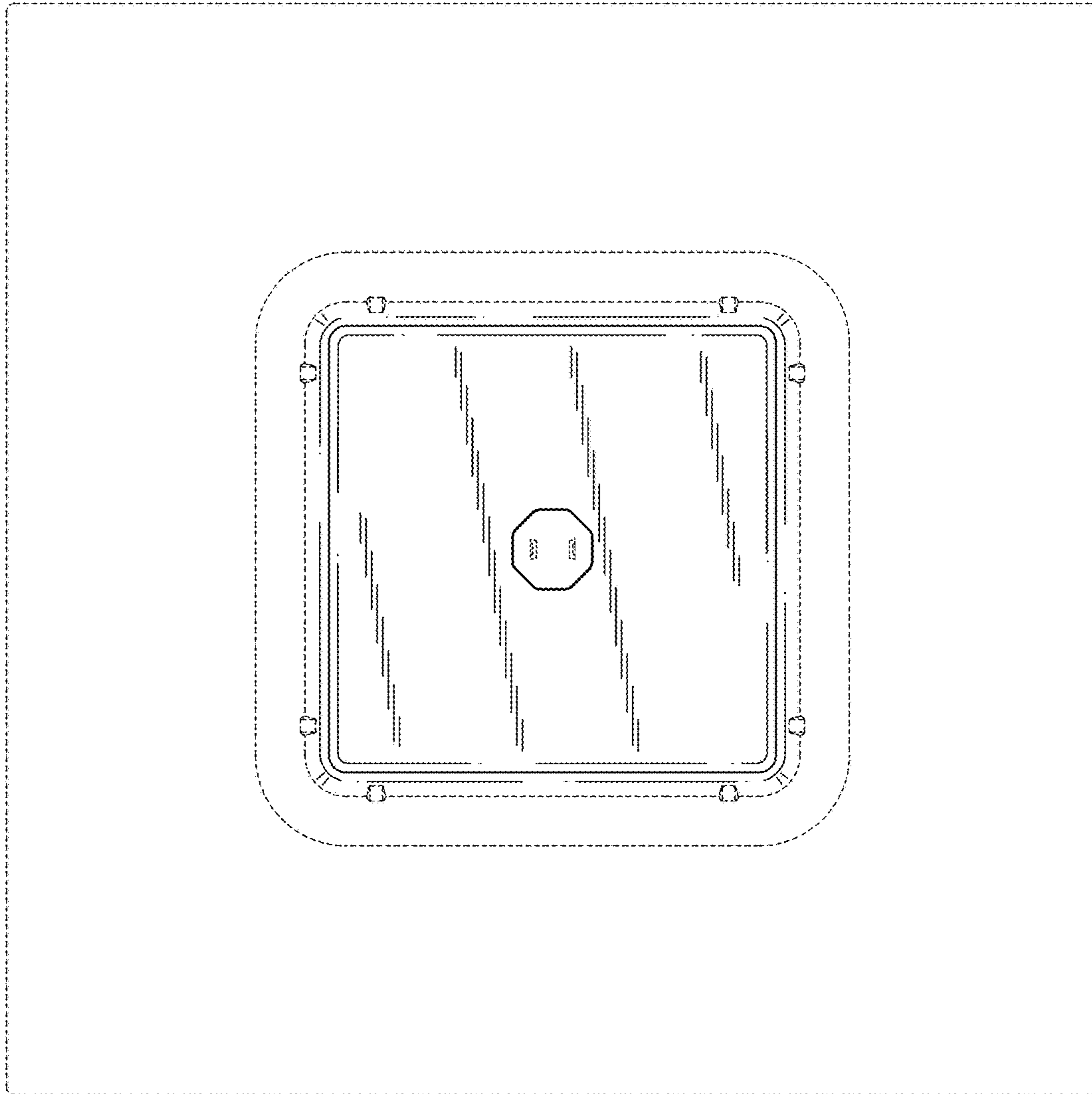


FIG. 2

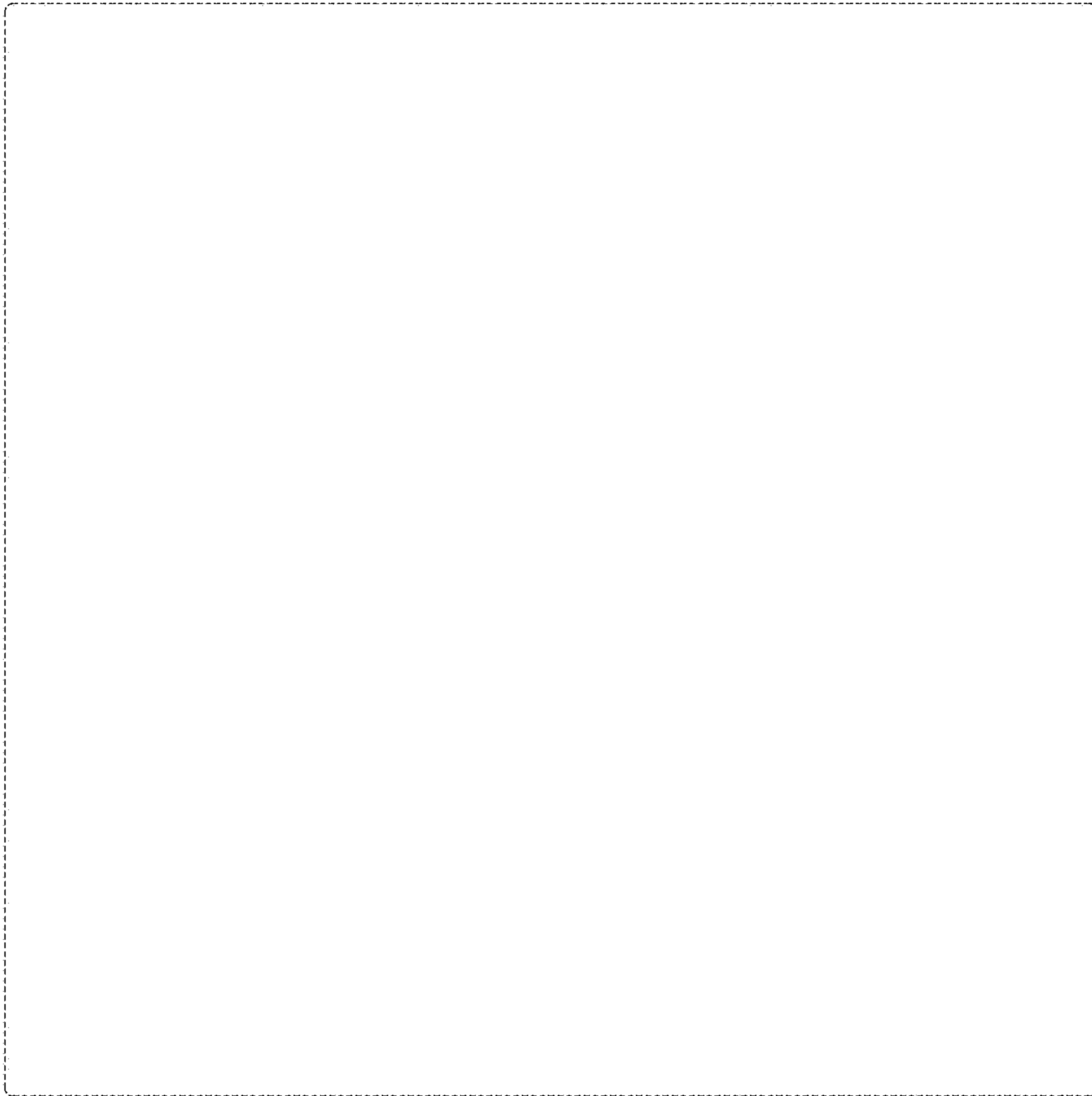


FIG. 3

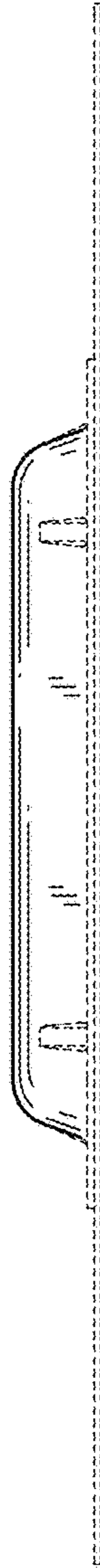


FIG. 4

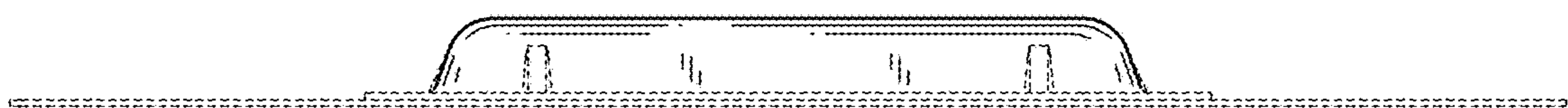


FIG. 5

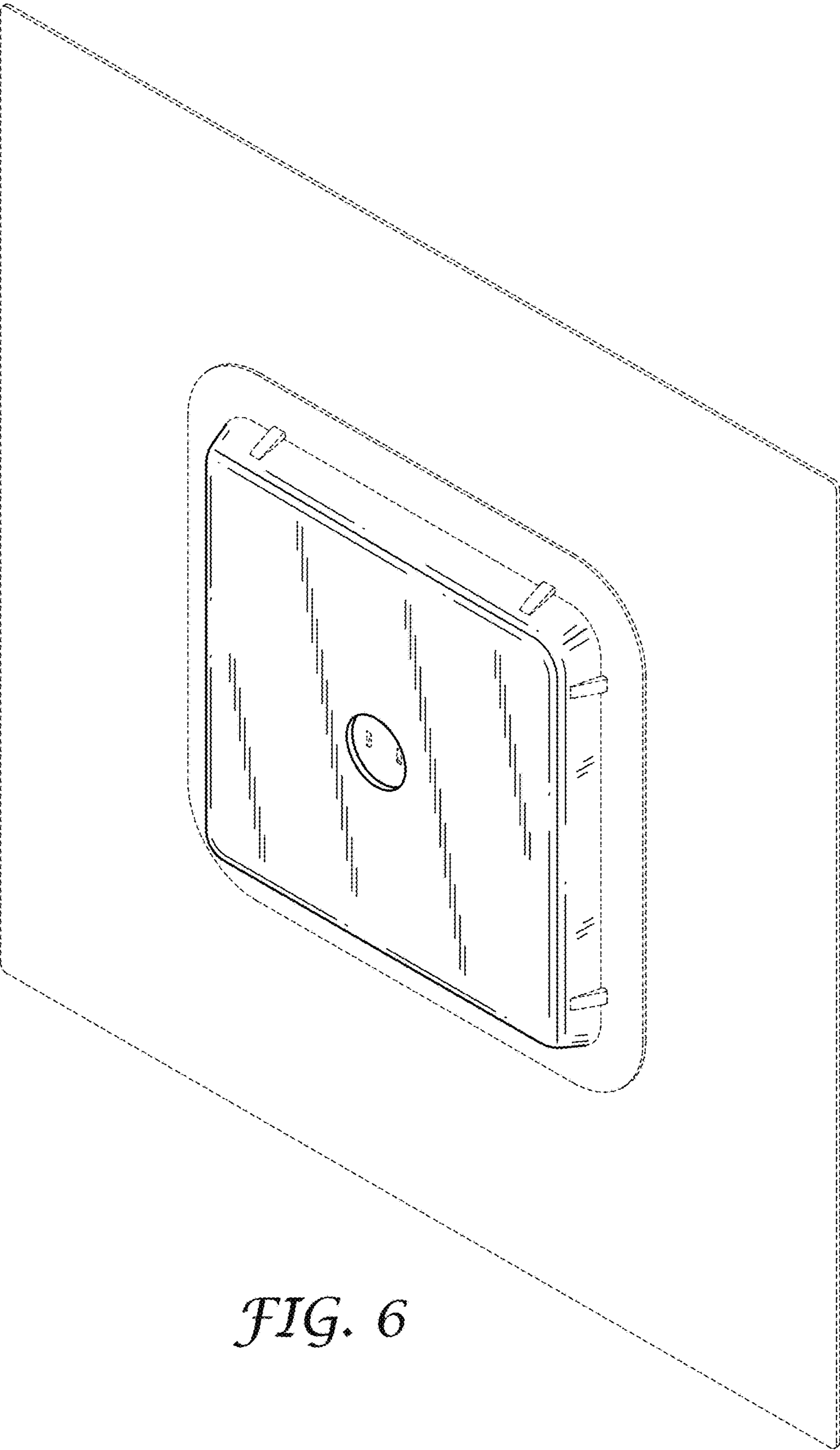


FIG. 6

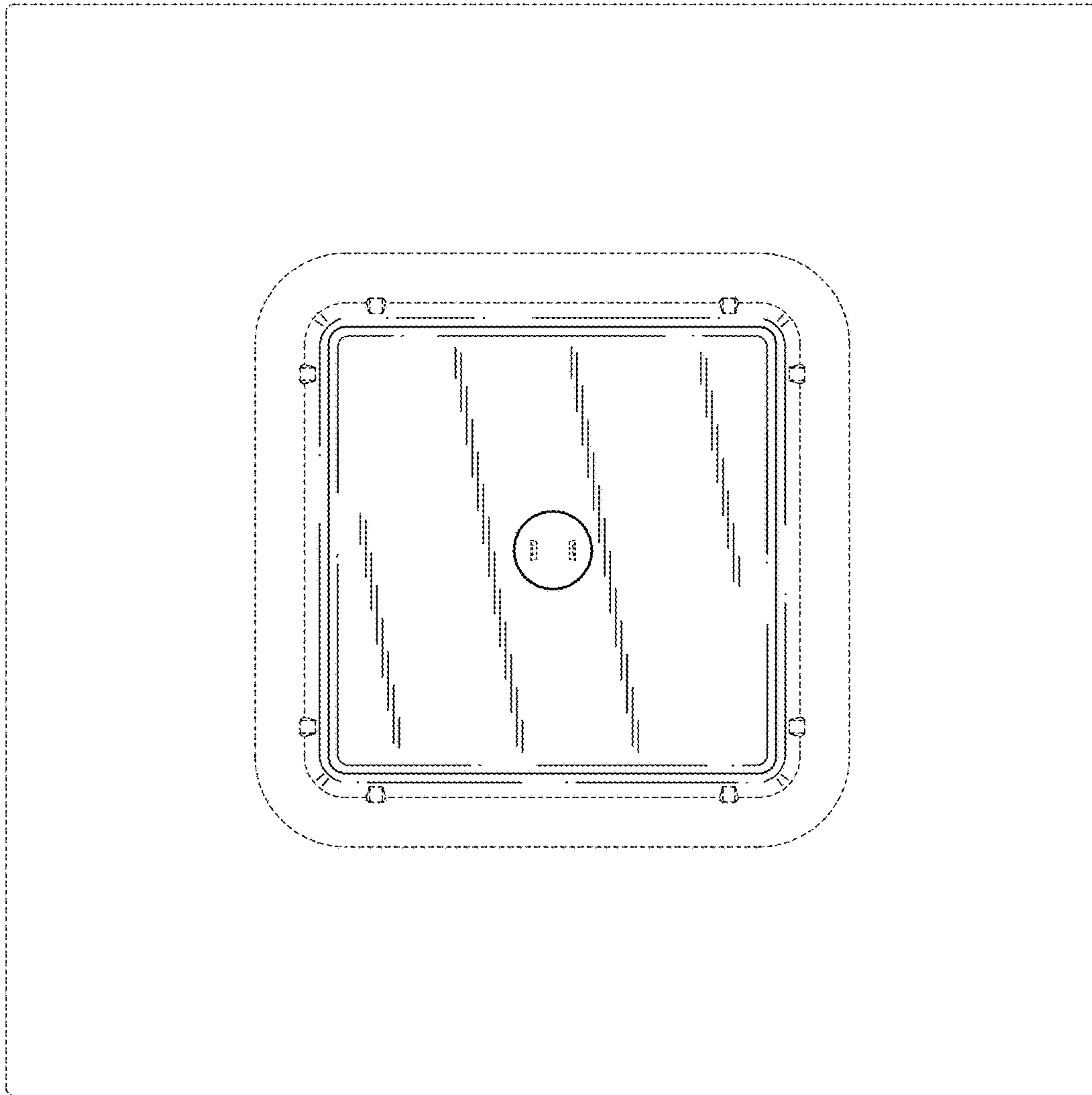


FIG. 7

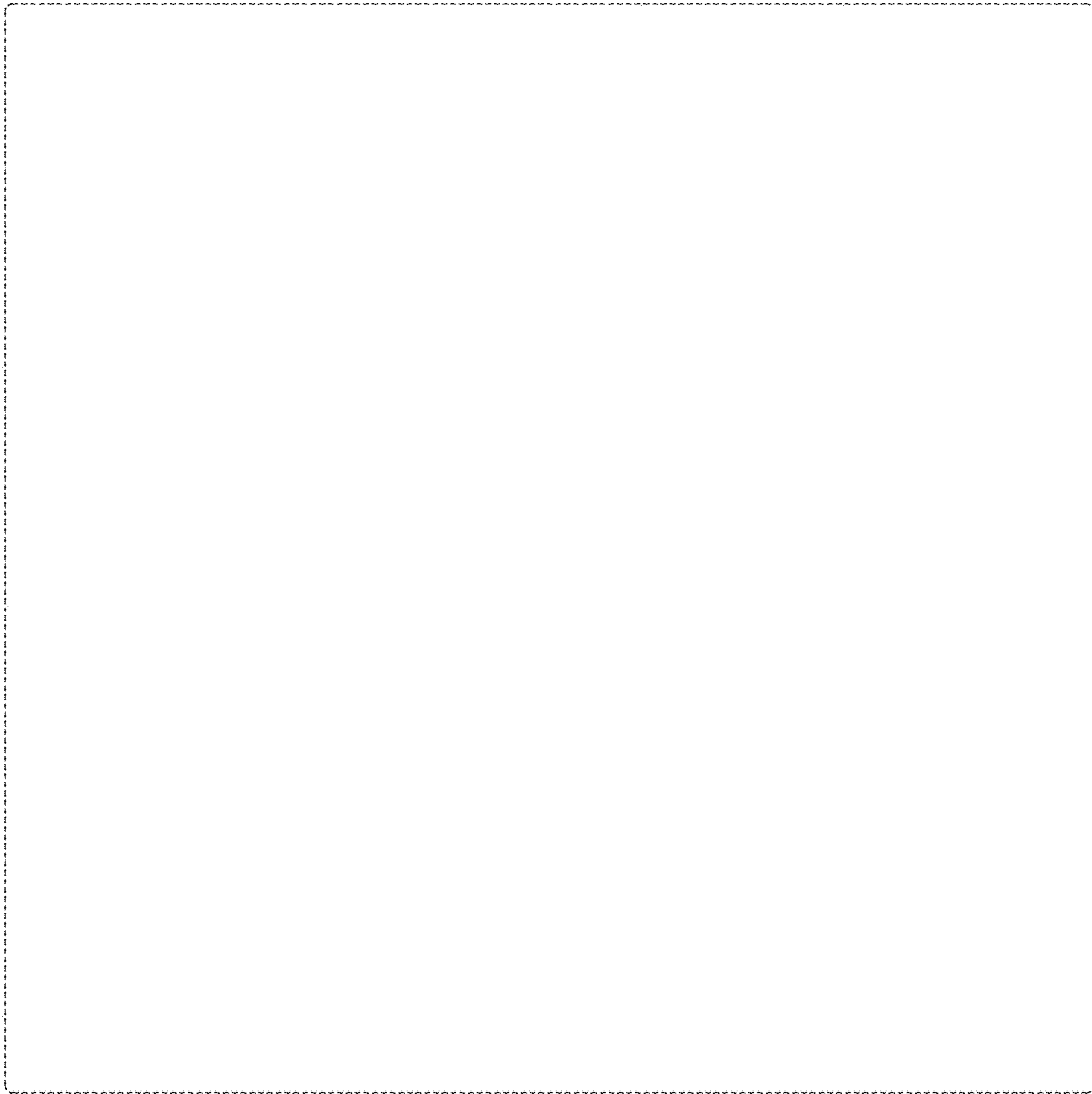


FIG. 8

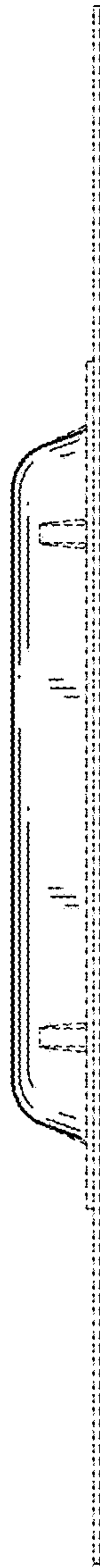


FIG. 9



FIG. 10

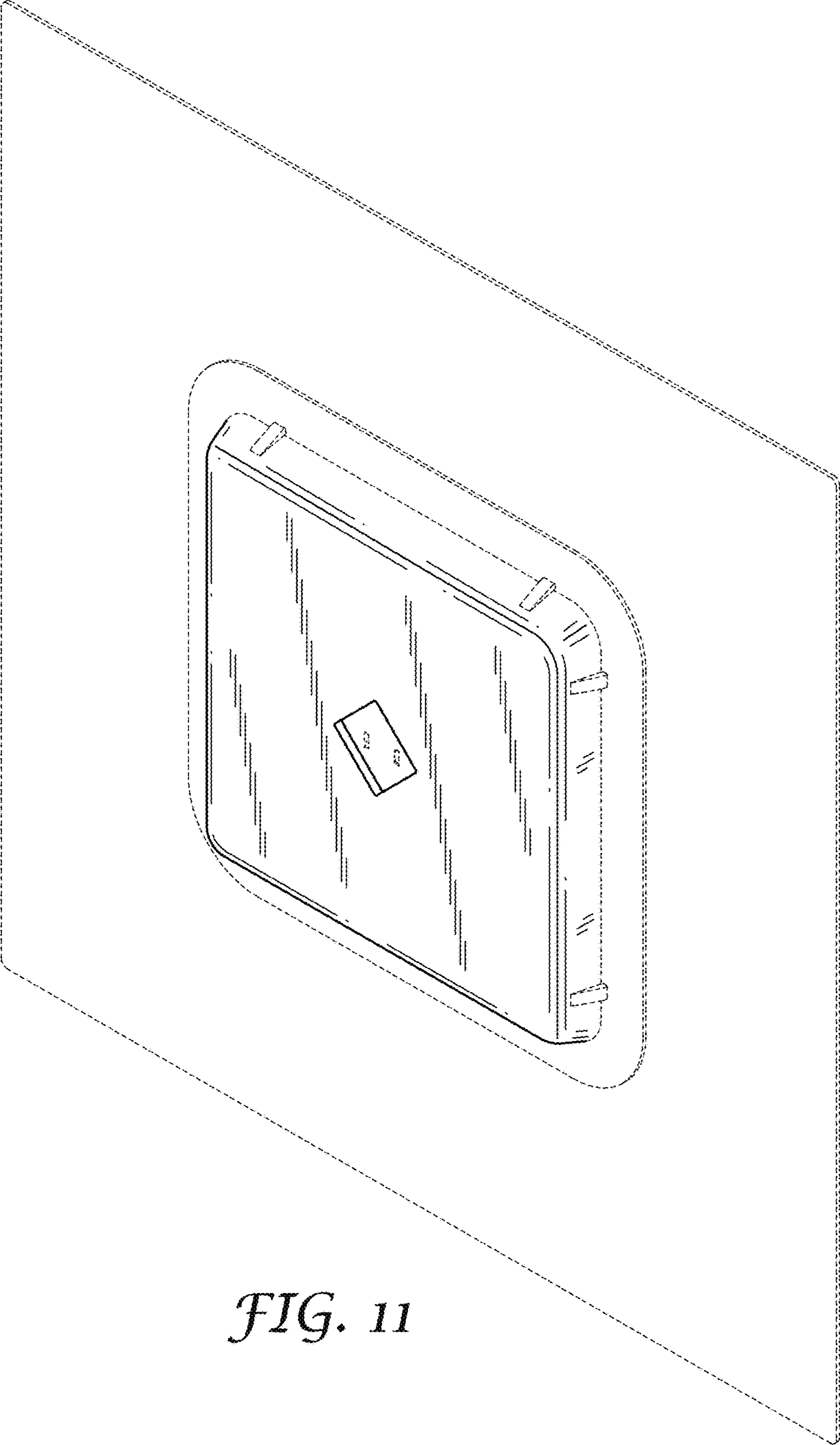


FIG. 11

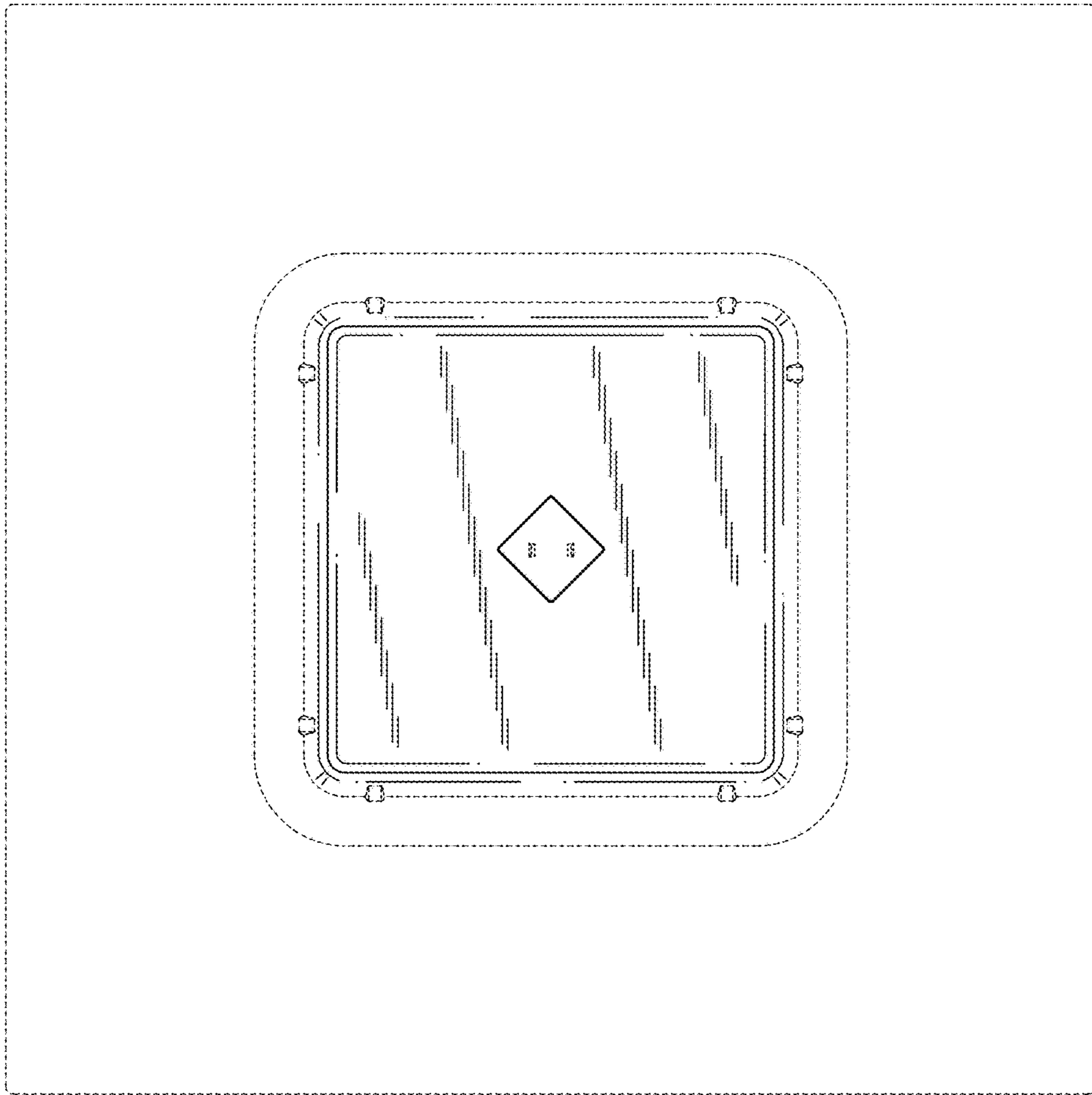


FIG. 12

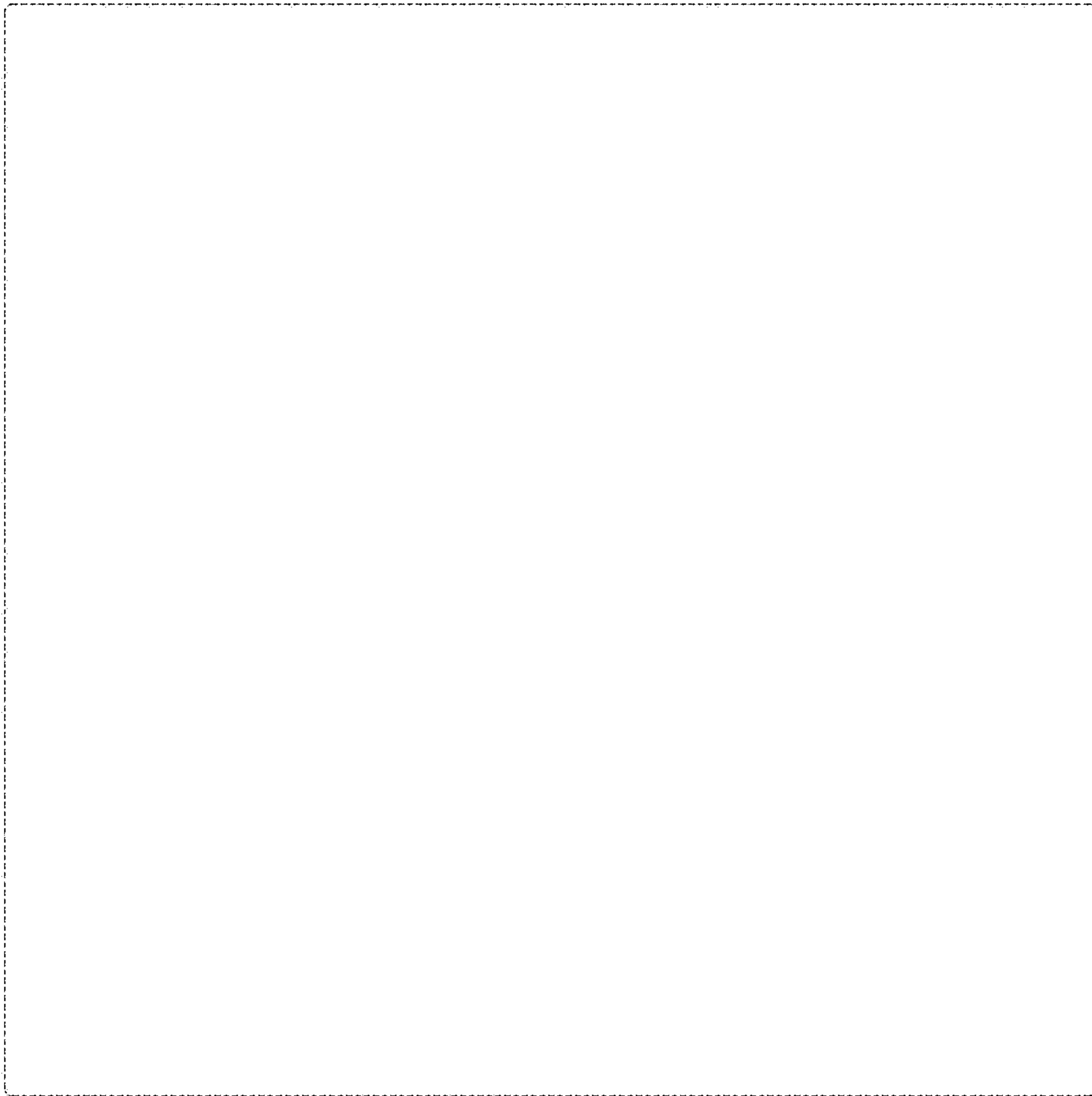


FIG. 13

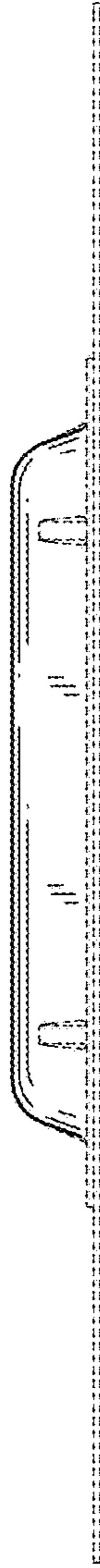


FIG. 14



FIG. 15