



US00D776938S

(12) **United States Design Patent**  
**Goodwin, Jr. et al.**

(10) **Patent No.:** **US D776,938 S**  
(45) **Date of Patent:** **\*\* Jan. 24, 2017**

(54) **ROLLER CAGE FOR PAINT ROLLER**

OTHER PUBLICATIONS

(71) Applicant: **The Sherwin-Williams Company,**  
Cleveland, OH (US)

Brochure, "Wooster Sherlock"; The Wooster Brush Company,  
Wooster, OH, www.woosterbrush.com; C-200605R, published Aug.  
2009.

(72) Inventors: **Edward Ray Goodwin, Jr.,** Westlake,  
OH (US); **Charles T. Buckel, Jr.,**  
Valley City, OH (US); **Michael C.**  
**Lambertson, Jr.,** Aurora, OH (US)

*Primary Examiner* — Austin Murphy  
(74) *Attorney, Agent, or Firm* — Roger D. Emerson;  
Emerson Thomson & Bennett, LLC

(73) Assignee: **The Sherwin-Williams Company,**  
Cleveland, OH (US)

(57) **CLAIM**  
The ornamental design for a roller cage for paint roller, as  
shown and described.

(\*\*) Term: **14 Years**

**DESCRIPTION**

(21) Appl. No.: **29/525,365**

FIG. 1 is a perspective view of a first end of the roller cage  
for paint roller;

(22) Filed: **Apr. 29, 2015**

FIG. 2 is a perspective view of a second end of the roller  
cage for paint roller;

**Related U.S. Application Data**

(63) Continuation of application No. 29/504,555, filed on  
Oct. 7, 2014.

FIG. 3 is a perspective view of the first end of the roller  
cage for paint roller at an angular rotation marked by section 5-5;

(51) **LOC (10) Cl.** ..... **14-01**

FIG. 4 is a perspective view of the first end of the roller  
cage for paint roller at an angular rotation marked by section 6-6;

(52) **U.S. Cl.**

USPC ..... **D4/122**

FIG. 5 is a sectional view of section 5-5 of the roller  
cage for paint roller shown in FIG. 3;

(58) **Field of Classification Search**

USPC .... D4/122, 199; D6/317, 566; D8/370, 373,  
D8/303; 15/27, 230.11; 211/106, 106.01;  
248/302; 492/13, 16, 17, 19; 16/422, 430,  
16/431, 902, DIG. 12, DIG. 18, DIG. 19

FIG. 6 is a sectional view of section 6-6 of the roller  
cage for paint roller shown in FIG. 4;

(Continued)

FIG. 7 is a top view of the roller cage for paint roller shown  
in FIGS. 3 and 5 which is the same as the bottom, front and  
back view of the roller cage for paint roller shown in FIGS.  
3 and 5;

(56) **References Cited**

**U.S. PATENT DOCUMENTS**

3,745,624 A \* 7/1973 Newman ..... B05C 17/02  
15/230.11  
5,345,648 A \* 9/1994 Graves ..... B05C 17/02  
15/230.11

FIG. 8 is a top view of the roller cage for paint roller shown  
in FIGS. 4 and 6 which is the same as the bottom, front and  
back view of the roller cage for paint roller shown in FIGS.  
4 and 6;

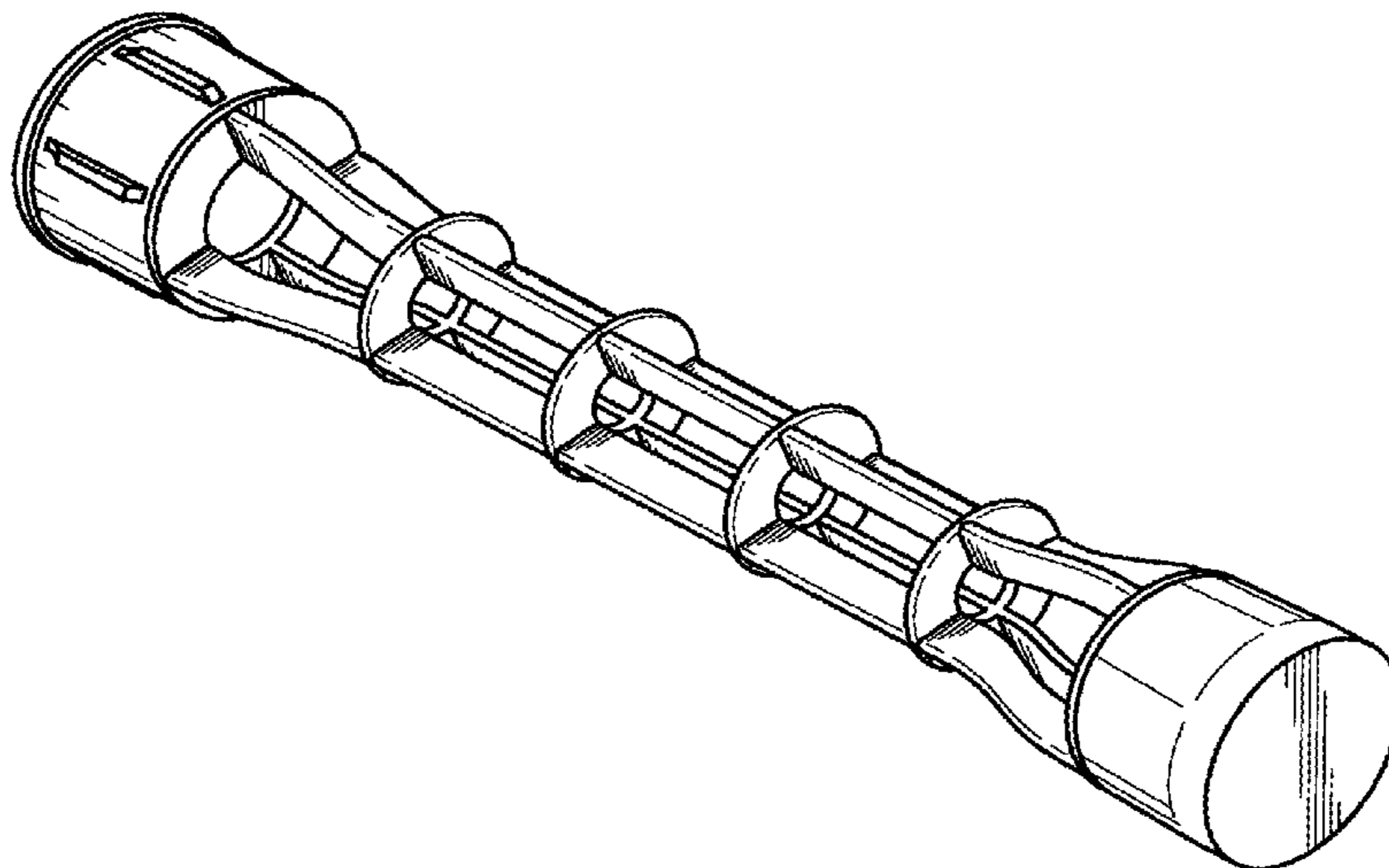
(Continued)

FIG. 9 is a side view of the second end of the roller cage for  
paint roller;

FIG. 10 is a side view of the first end of the roller cage for  
paint roller; and,

FIG. 11 is a front view of the roller cage for paint roller.  
The stippled lines do not form part of the design.

**1 Claim, 4 Drawing Sheets**



(58) **Field of Classification Search**

CPC ..... B05C 1/00; B05C 1/02; B05C 17/0205;  
B44D 2/00

See application file for complete search history.

(56) **References Cited**

U.S. PATENT DOCUMENTS

5,490,303	A	2/1996	Graves	
D423,789	S *	5/2000	Saji	D4/122
6,438,788	B1 *	8/2002	Gartner	B05C 17/02 15/230.11
6,510,579	B1 *	1/2003	Gartner	B05C 17/02 15/230.11
D473,055	S *	4/2003	Mann	D4/122
6,874,201	B2	4/2005	Ta et al.	
D530,099	S *	10/2006	Decoopman	D4/122
7,143,825	B2 *	12/2006	Pointing	E21B 43/103 166/207
D578,769	S *	10/2008	Patterson	D4/122
D637,403	S *	5/2011	Schmidt	D4/122
8,911,337	B2 *	12/2014	Bukovitz	B05C 17/02 492/16
2012/0129668	A1	5/2012	Buckel, Jr. et al.	
2014/0157540	A1	6/2014	Buckel, Jr. et al.	

\* cited by examiner

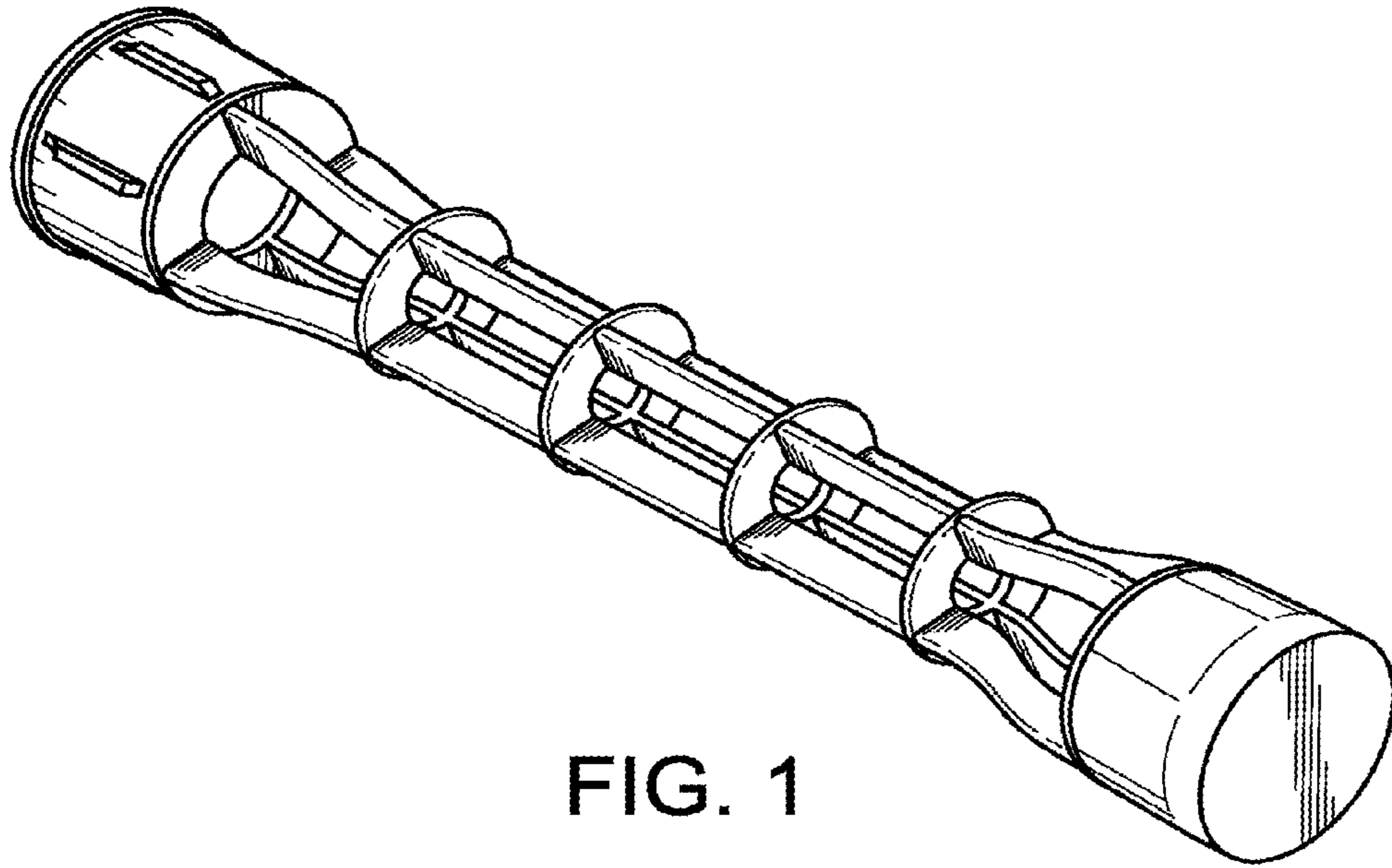


FIG. 1

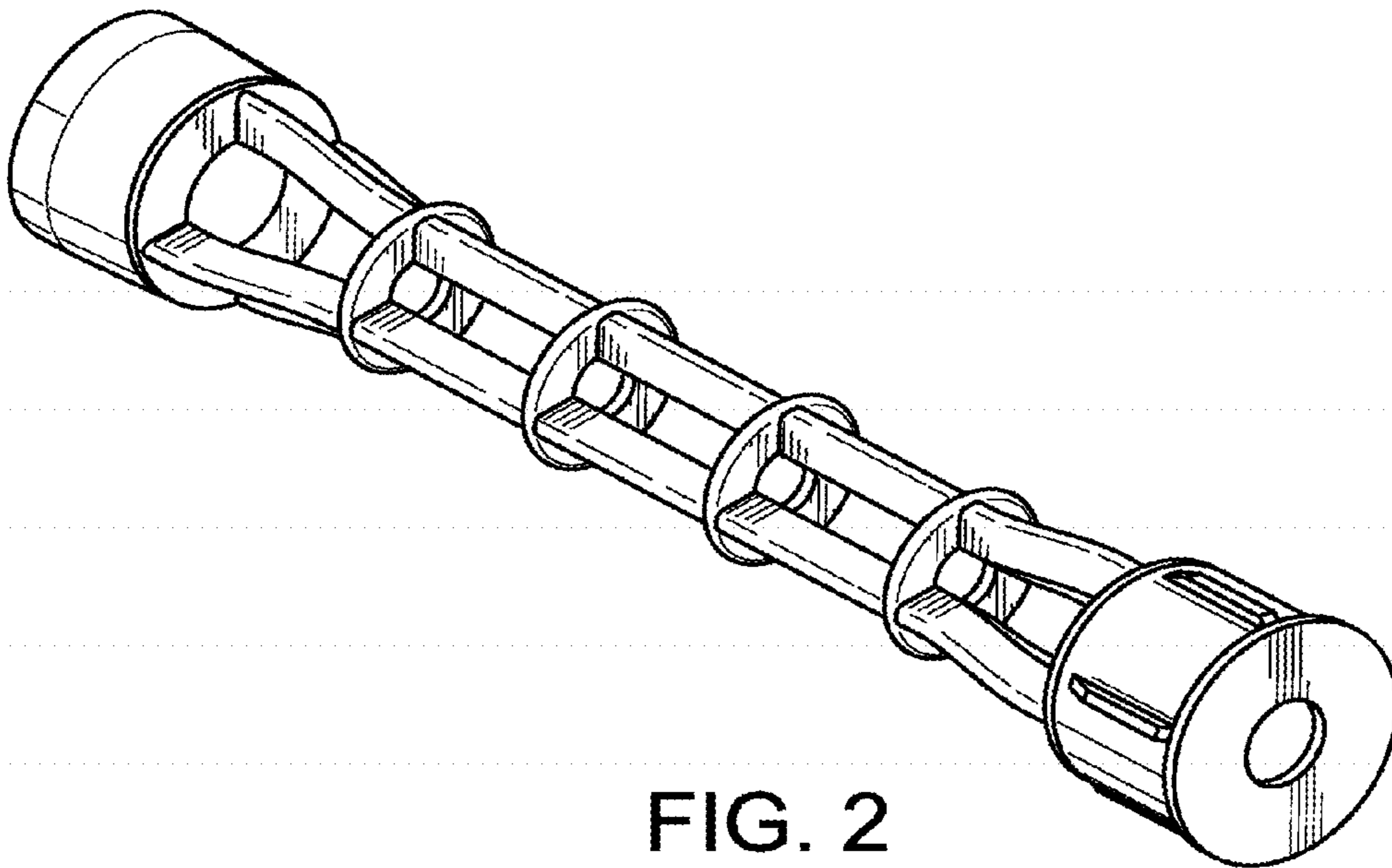


FIG. 2

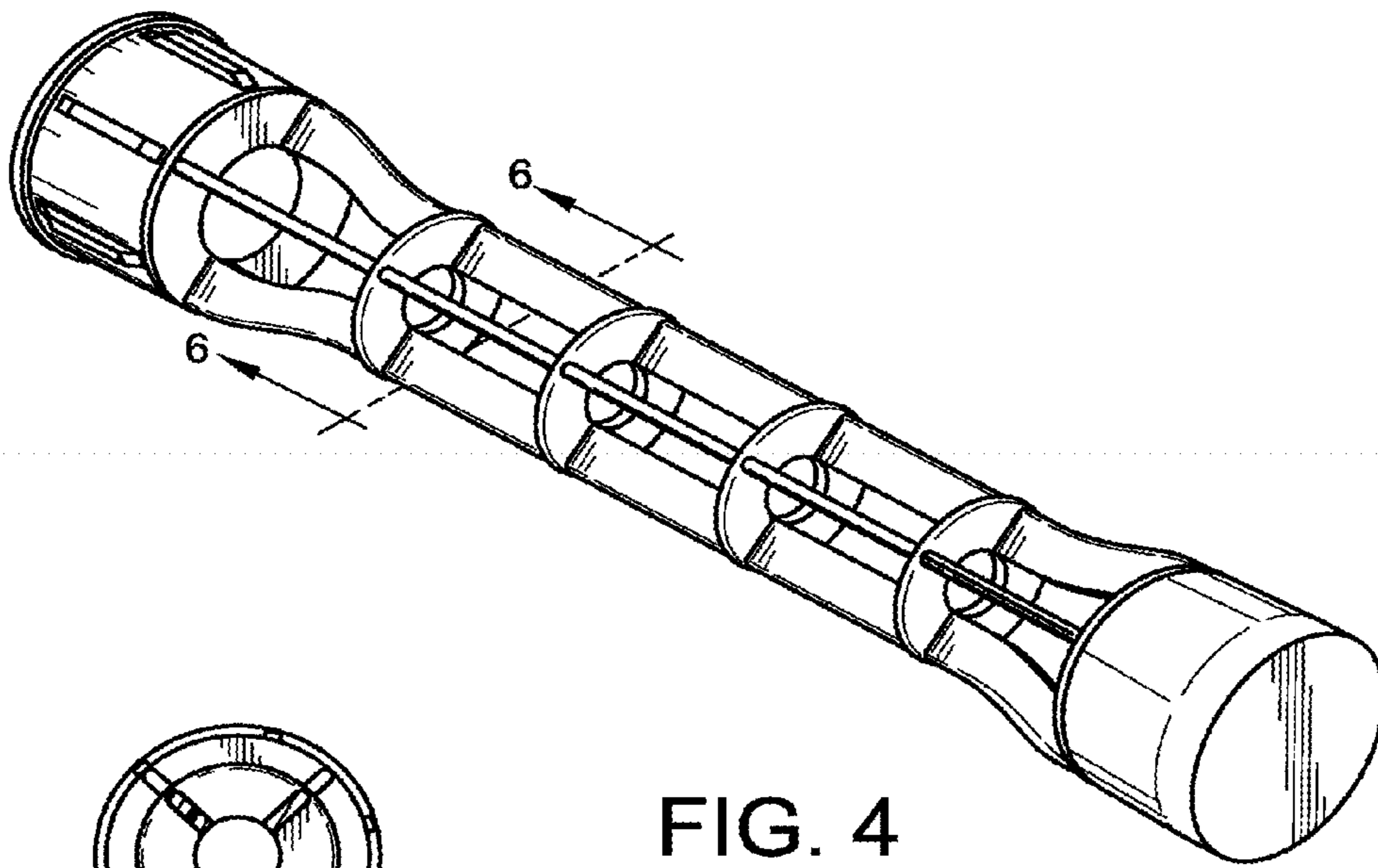
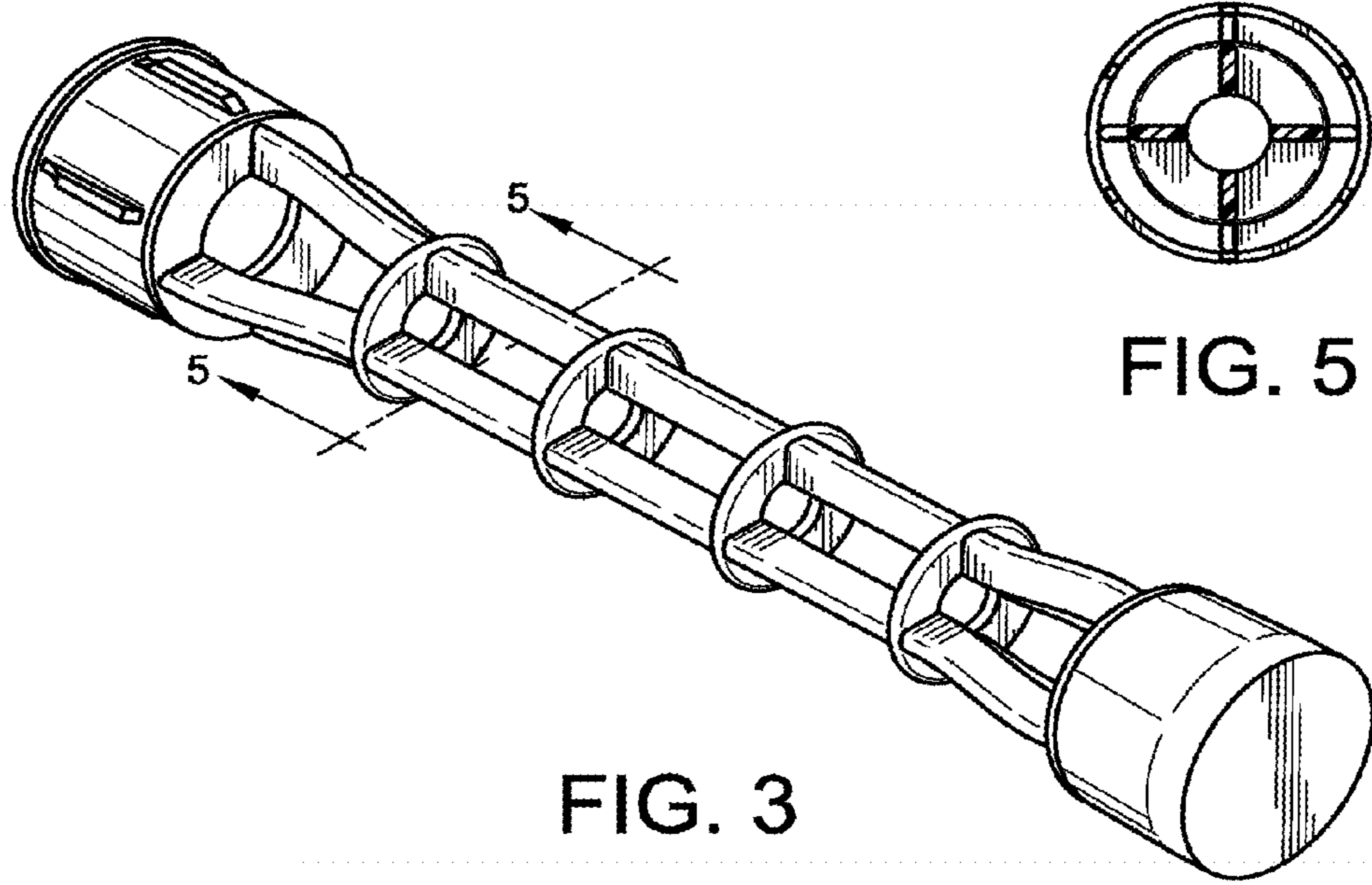


FIG. 6

FIG. 4

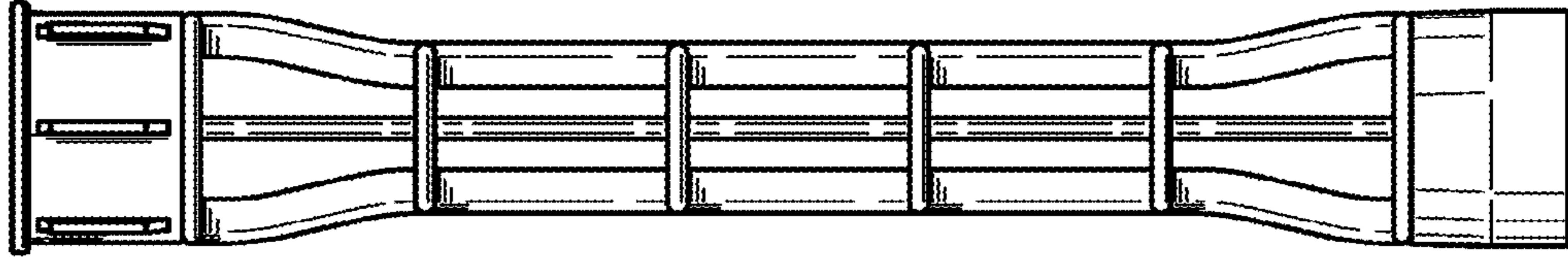


FIG. 7

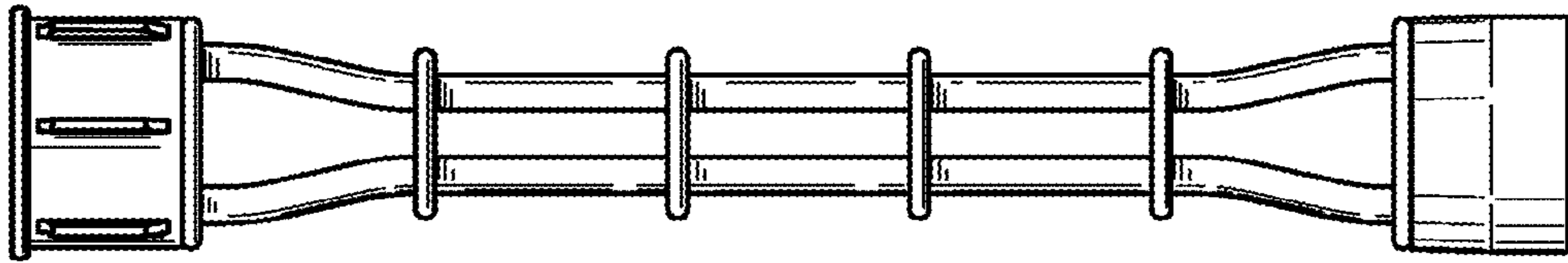


FIG. 8

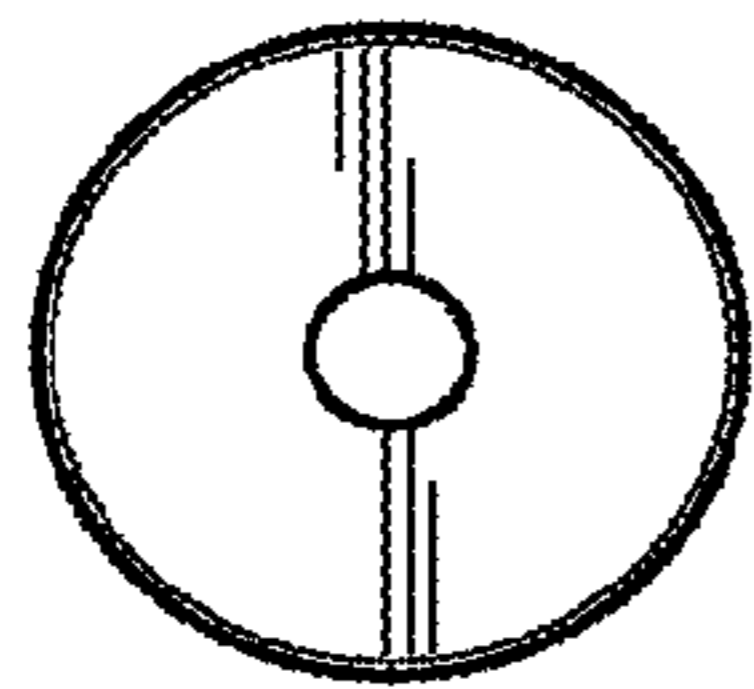


FIG. 9

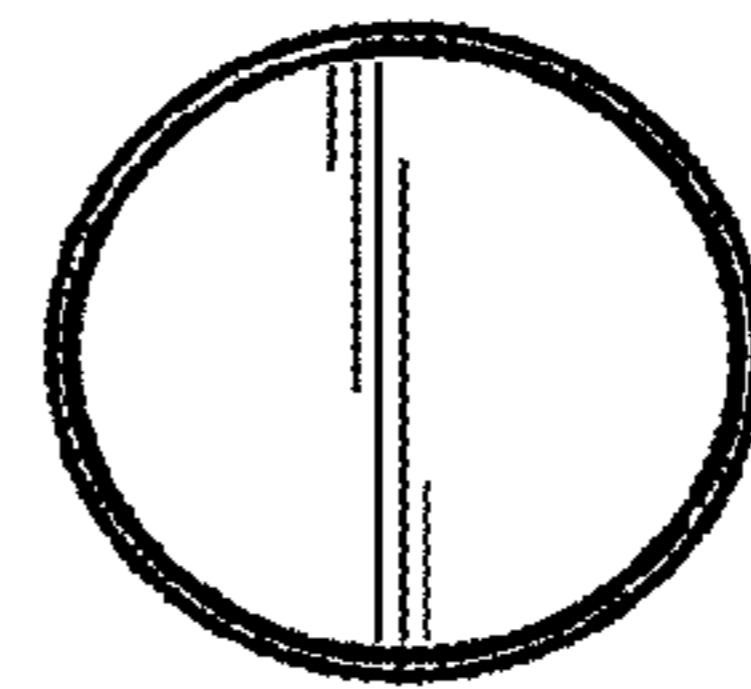


FIG. 10

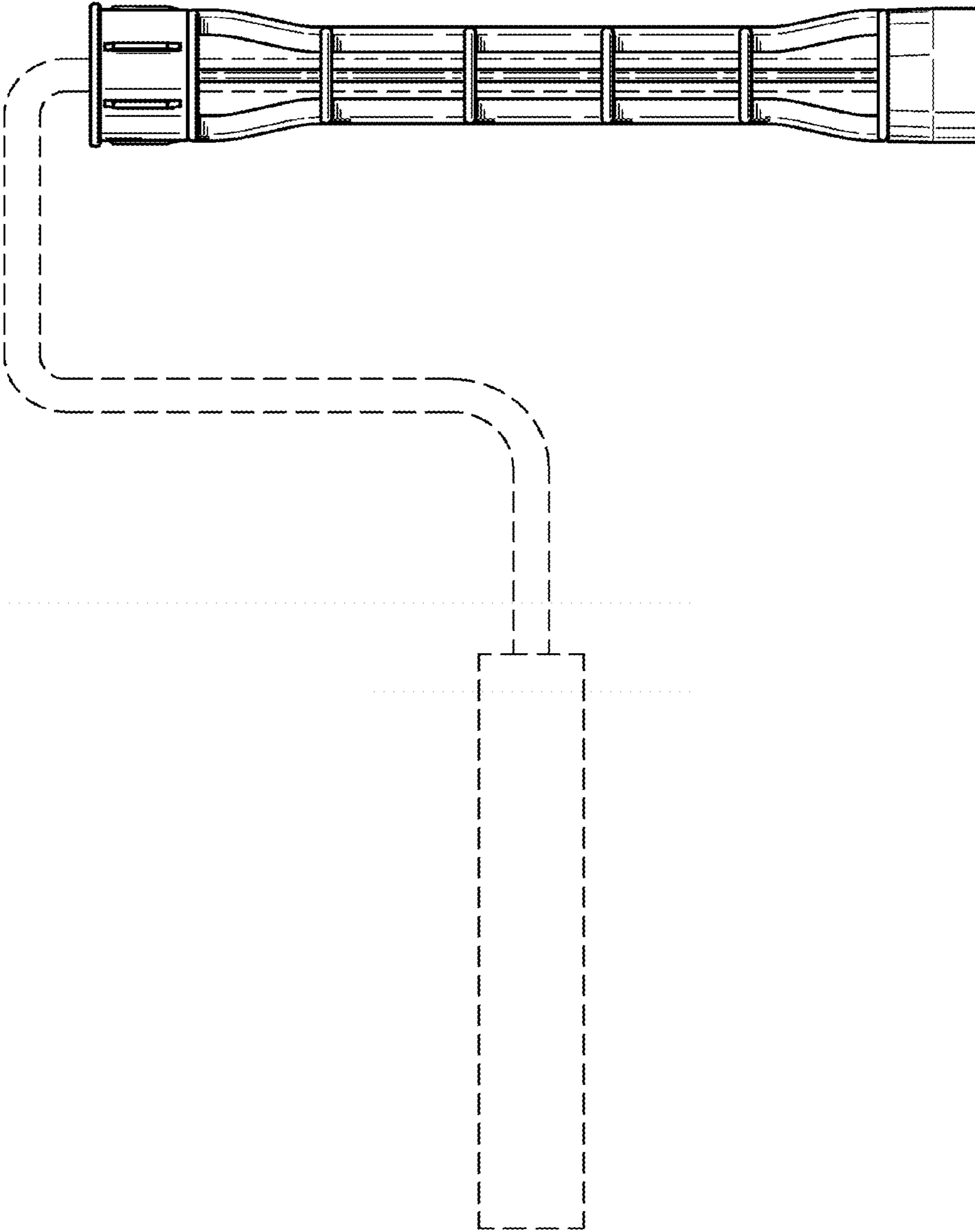


FIG. 11