



US00D776935S

(12) **United States Design Patent**  
**White et al.**

(10) **Patent No.: US D776,935 S**  
(45) **Date of Patent: \*\* Jan. 24, 2017**

(54) **ELECTROLYTIC BRUSH**  
(71) Applicant: **Ensitech IP Pty Limited**, Emu Plains (AU)  
(72) Inventors: **Clive Stuart White**, Faulconbridge (AU); **Mark Robert Fischer**, Cabramatta (AU); **Franco Fornesari**, Springwood (AU)  
(73) Assignee: **ENSITECH IP PTY LIMITED** (AU)  
(\*\*) Term: **14 Years**  
(21) Appl. No.: **29/508,808**  
(22) Filed: **Nov. 11, 2014**

(30) **Foreign Application Priority Data**  
May 12, 2014 (AU) ..... 12272/2014  
(51) **LOC (10) Cl.** ..... **04-02**  
(52) **U.S. Cl.**  
USPC ..... **D4/100**; D4/199  
(58) **Field of Classification Search**  
USPC ..... D4/100, 199, 138, 137, 127, 121, 114, D4/115; 205/640, 648, 650, 651, 652, 205/668, 670, 671, 653, 654, 656, 658, 205/660, 663, 686, 672, 704-711, 687, 205/693, 717-722, 736; 204/224 M, 204/224 R, 271, 237, 225, 196.01, 204/194.404, 196.28, 196.38, 208, 210, 204/213, 216, 272, 275.1, 277, 285, 204/297.1, 297.13-297.15; 219/119, 120, 219/121.13, 137.2, 137.63, 138, 145.1, 219/224, 85.16, 117.1; D24/144, 146, D24/152, 176, 182, 187, 233; 29/81.12-81.17, 81.01, 81.05, 81.08; 173/168-169; 438/748; 15/97.1, 1; D8/29.1, 30, 61, 62, 90, 51, 105  
CPC ..... C25F 1/00; C25F 3/00-3/06; C25F 1/12-1/16; C25F 1/24; C25F 5/00; C25F 7/00; B23H 1/00; B23H 1/04; B23H 3/00; B23H 3/04; B23H 5/00; B23H 5/02; B23H 5/06; B23H 5/08; B23H 5/10; B23H 7/00; B23H 7/12; B23H 7/22; B23H 7/26; B23H 9/00; B23H 9/001; B23H 9/02; C25D 17/10; C25D

17/14; C25D 17/16; C25D 11/00; C25D 11/20; C25D 11/22; C25D 11/32; C25D 11/028; C25D 11/02; C25D 11/022; C25D 11/34; C25D 11/36; C25D 11/38; C25D 11/005; C25D 15/02; C25D 5/00; C25D 5/003; C25D 5/006; C25D 5/02; C25D 5/04; C25D 5/06; C25D 5/10-5/56; C25D 7/00; C25D 9/08; C25D 9/10; B08B 1/00; B08B 1/001; B08B 1/002; B08B 1/008; B08B 1/04; B08B 6/00; B08B 7/0014; B08B 7/0035; B08B 7/0085; B08B 7/04; B08B 7/02; B08B 7/022; B08B 13/00; B08B 2203/00; B08B 2240/00; F28G 13/00; B01J 19/00; B01J 19/0086; B01J 19/08; B23K 11/10; B23K 11/185; B23K 11/30; B23K 11/3018; B23K 35/0205; B25F 5/02  
See application file for complete search history.

(56) **References Cited**  
U.S. PATENT DOCUMENTS  
1,024,126 A \* 4/1912 Fletcher ..... B23B 31/202 279/42

(Continued)

**OTHER PUBLICATIONS**  
Waterwood Replacement part 60A Welding Electrode Tip for Plasma Cutting Torch, [www.amazon.com/Replacement-Welding-Electrode-Cutting-Cleaning/dp/B00Q87WEY4](http://www.amazon.com/Replacement-Welding-Electrode-Cutting-Cleaning/dp/B00Q87WEY4), Nov. 2014, 1 page.\*  
*Primary Examiner* — Susan Moon Lee  
(74) *Attorney, Agent, or Firm* — Galgano IP Law PLLC; Thomas M. Galgano; Jessica G. McDonald

(57) **CLAIM**  
The ornamental design for an electrolytic brush, as shown and described.

**DESCRIPTION**

FIG. 1 is a front perspective view of the electrolytic brush showing the design;  
(Continued)

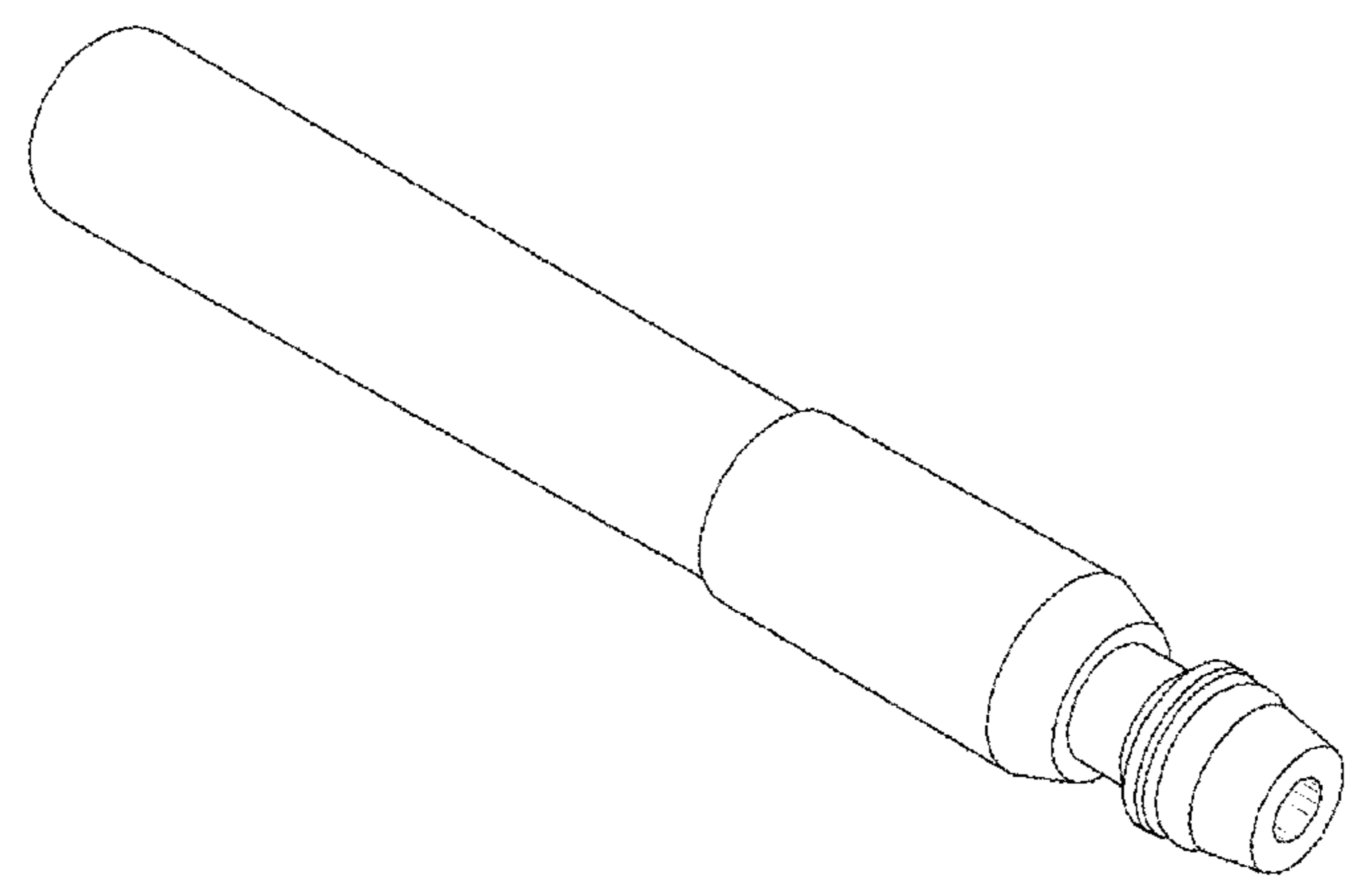


FIG. 2 is a rear perspective view; and,  
FIG. 3 is a side view thereof, other side views are identical.

**1 Claim, 3 Drawing Sheets**

(56)

**References Cited**

U.S. PATENT DOCUMENTS

3,012,921 A \* 12/1961 Vaughan ..... B24C 3/322  
134/102.1  
3,043,946 A \* 7/1962 Perrin ..... B23K 35/0205  
219/145.21  
3,202,598 A \* 8/1965 Covington ..... B23H 9/00  
204/224 M  
3,451,490 A \* 6/1969 Troike ..... B08B 7/022  
15/93.1  
3,571,874 A \* 3/1971 Von Arz ..... B08B 7/022  
173/169  
3,779,887 A \* 12/1973 Gildone ..... C25D 5/06  
204/224 R  
3,937,055 A \* 2/1976 Caruso ..... B23P 9/04  
173/132  
3,958,944 A \* 5/1976 Wong ..... B01L 3/5082  
215/227  
4,079,223 A \* 3/1978 Lee ..... B23K 11/30  
219/118  
4,159,934 A 7/1979 Kadija  
D257,553 S 11/1980 Hashimoto  
4,345,136 A \* 8/1982 Nippert ..... B23K 35/0205  
219/119  
D269,493 S \* 6/1983 Koturov ..... D8/30  
4,459,463 A \* 7/1984 Knowles ..... B23K 3/03  
174/135  
4,578,164 A \* 3/1986 Matsui ..... C25F 3/16  
205/670  
D295,017 S \* 4/1988 Evenson ..... D8/107  
4,759,113 A \* 7/1988 Hunkeler ..... B23F 23/1212  
409/11  
4,760,235 A \* 7/1988 Flater ..... B23K 35/0205  
219/119  
4,788,407 A \* 11/1988 Flater ..... B23K 11/3018  
137/614.11  
4,795,292 A \* 1/1989 Dye ..... B23Q 1/0036  
279/20  
4,826,582 A \* 5/1989 Lavalerie ..... F28G 13/00  
204/196.01  
4,992,154 A 2/1991 Ida et al.  
D325,498 S \* 4/1992 Gismondi ..... D8/30  
5,159,174 A \* 10/1992 Yeo ..... B23K 35/0205  
219/137 R  
5,401,369 A 3/1995 Gershin  
D370,126 S \* 5/1996 Pfanstiehl ..... D19/184  
5,985,107 A 11/1999 McLaughlin  
6,123,270 A \* 9/2000 Hara ..... B05B 7/02  
239/422  
D440,837 S \* 4/2001 Hart ..... D8/14  
D501,632 S \* 2/2005 Hewett ..... D8/30  
6,857,344 B1 \* 2/2005 Diller ..... B23B 29/03453  
408/57  
6,861,609 B2 \* 3/2005 Sigler ..... B23K 11/3009  
219/117.1  
6,883,809 B2 \* 4/2005 Rohm ..... B23B 31/1238  
279/157  
7,022,934 B1 \* 4/2006 Pratt ..... B23K 11/314  
219/119  
D519,821 S \* 5/2006 Tsai ..... D8/107

D536,451 S \* 2/2007 Haydu ..... D24/144  
D574,617 S \* 8/2008 Gamez ..... D4/114  
7,478,979 B2 \* 1/2009 Zhou ..... B23B 31/123  
279/134  
7,538,294 B2 \* 5/2009 Scotchmer ..... B23K 11/3009  
219/119  
D608,176 S 1/2010 Heidelberger  
7,679,032 B2 \* 3/2010 Masaki ..... B23K 3/033  
219/229  
D616,101 S \* 5/2010 Chronister ..... D24/176  
D616,989 S \* 6/2010 Chronister ..... D24/176  
D619,438 S 7/2010 Lee  
7,785,046 B2 \* 8/2010 Beckington ..... B23B 31/02  
279/20  
7,866,641 B1 \* 1/2011 Switzer ..... B23B 31/16291  
269/20  
D660,667 S \* 5/2012 Miyazaki ..... D8/30  
D666,670 S \* 9/2012 Dehne ..... D19/108  
D667,052 S \* 9/2012 Bolton ..... D19/184  
D667,053 S \* 9/2012 Bolton ..... D19/184  
D667,117 S \* 9/2012 Darian ..... D24/144  
D676,965 S \* 2/2013 Sibhatu ..... D24/152  
D687,278 S \* 8/2013 Konishi ..... D8/51  
D694,412 S \* 11/2013 Chronister ..... D24/176  
D704,336 S \* 5/2014 Chon ..... D24/133  
9,044,251 B2 \* 6/2015 Schwarz ..... A61B 17/162  
D739,696 S \* 9/2015 Miyazaki ..... D8/30  
D744,096 S \* 11/2015 van Dullemen ..... D24/133  
2003/0020242 A1 \* 1/2003 Mack ..... B23B 31/1238  
279/60  
2004/0004329 A1 \* 1/2004 Schroeder ..... B23B 31/1253  
279/60  
2006/0113318 A1 \* 6/2006 May ..... A45D 34/04  
222/94  
2006/0124472 A1 \* 6/2006 Rokicki ..... C25F 3/16  
205/640  
2007/0034223 A1 \* 2/2007 Dumler ..... A45D 40/262  
132/218  
2007/0235323 A1 \* 10/2007 Lapelosa ..... C25D 17/14  
204/196.01  
2008/0078749 A1 \* 4/2008 Sigler ..... B23B 5/166  
219/119  
2008/0287739 A1 \* 11/2008 Smith ..... A61M 25/0105  
600/131  
2009/0211047 A1 \* 8/2009 Chen ..... A46D 1/00  
15/207.2  
2009/0255822 A1 \* 10/2009 Fujii ..... B23H 1/04  
205/131  
2010/0025383 A1 \* 2/2010 Tiberghien ..... B23K 11/115  
219/119  
2011/0061186 A1 \* 3/2011 Questiaux ..... A46B 5/0095  
15/22.1  
2011/0094999 A1 \* 4/2011 Schroth ..... B23K 11/115  
219/117.1  
2015/0196977 A1 \* 7/2015 Hughes ..... B23K 35/0205  
219/145.21  
2015/0231718 A1 \* 8/2015 Tachibana ..... B23H 5/08  
205/654  
2015/0231729 A1 \* 8/2015 Yang ..... B23K 35/0261  
219/119  
2015/0321282 A1 \* 11/2015 Moision ..... B23K 11/3018  
219/120  
2016/0129531 A1 \* 5/2016 Hughes ..... B23K 35/02  
219/145.21  
2016/0145763 A1 \* 5/2016 Kim ..... C25F 7/00  
204/224 M

\* cited by examiner

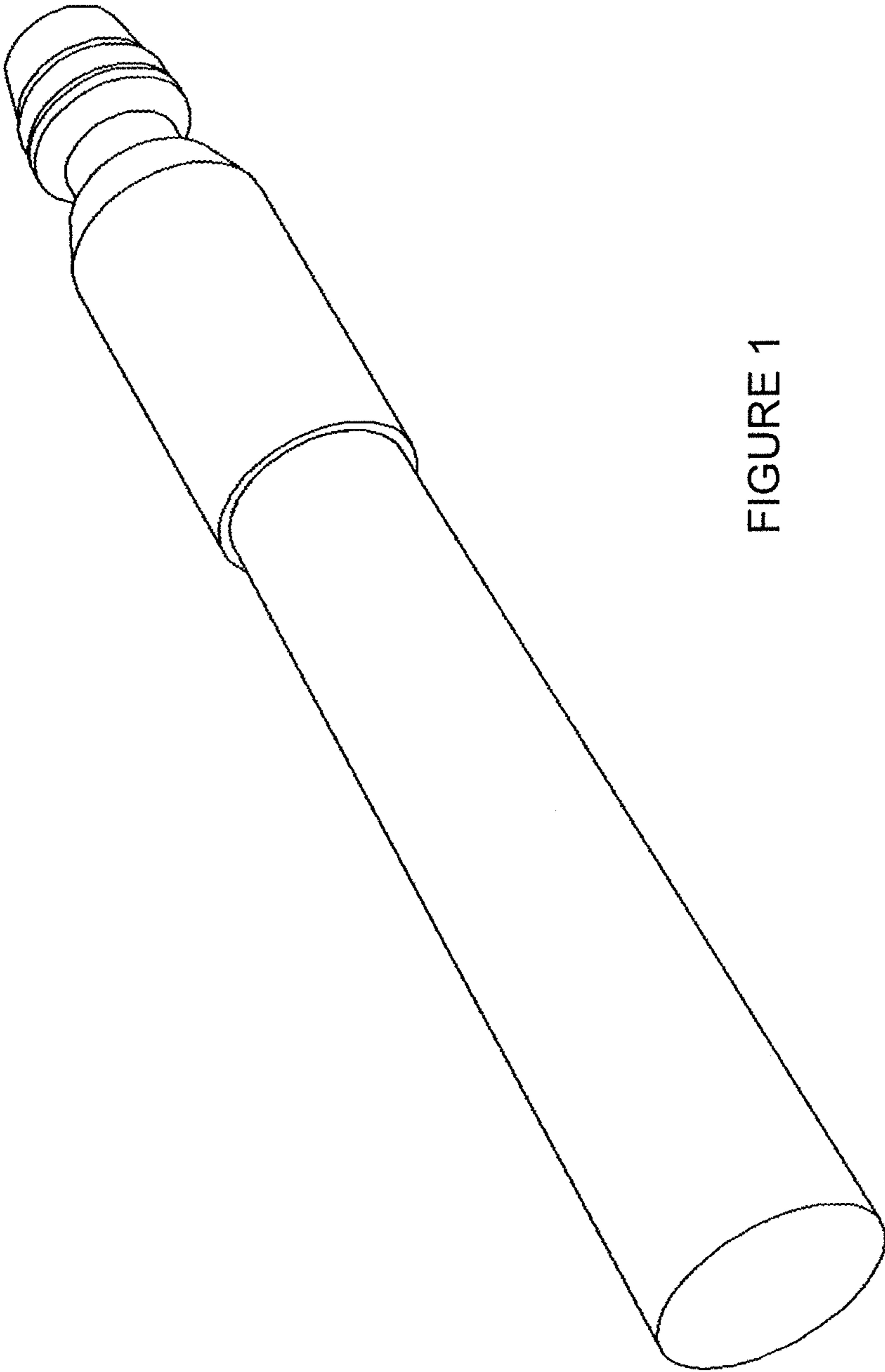


FIGURE 1

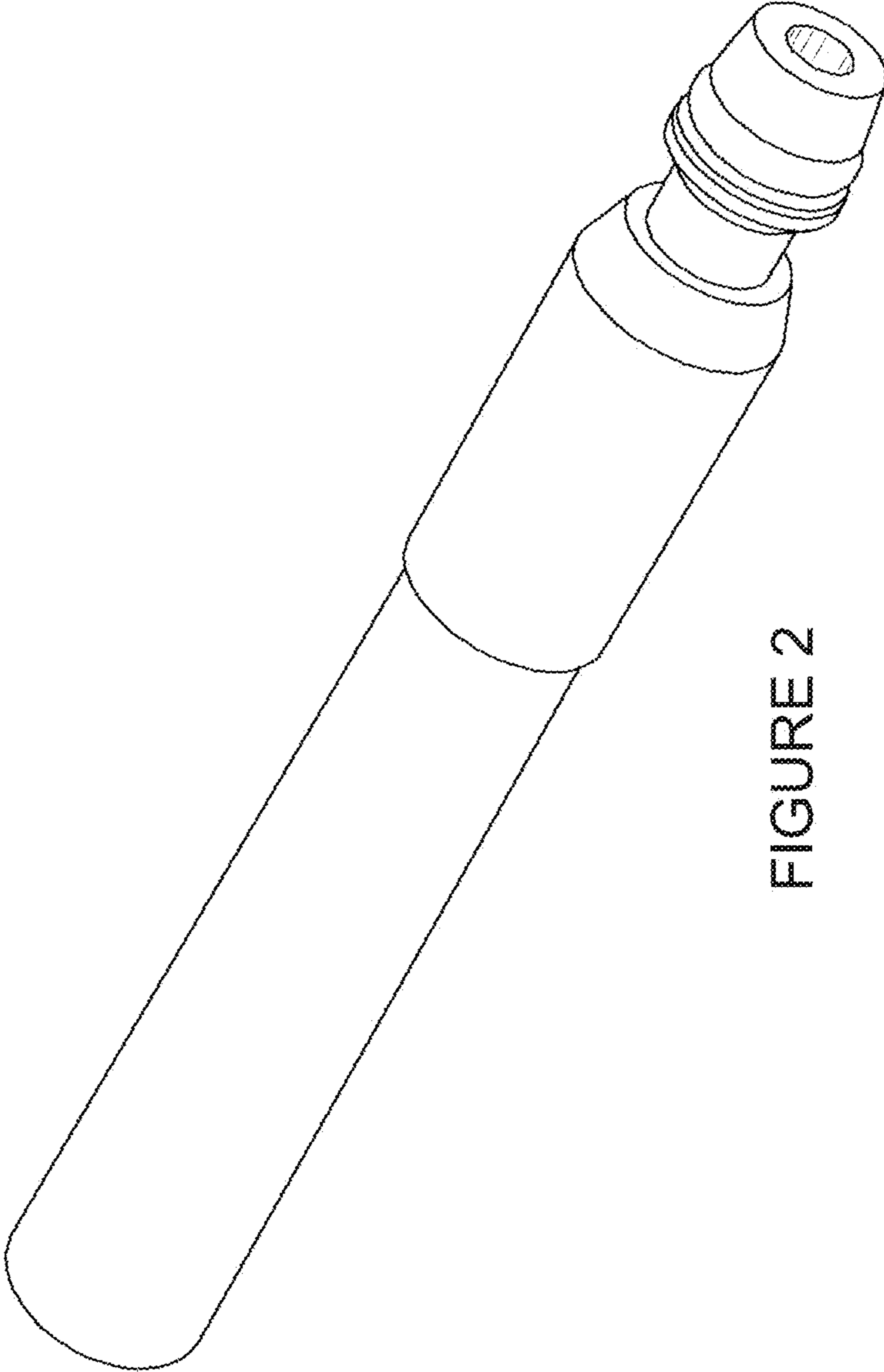


FIGURE 2

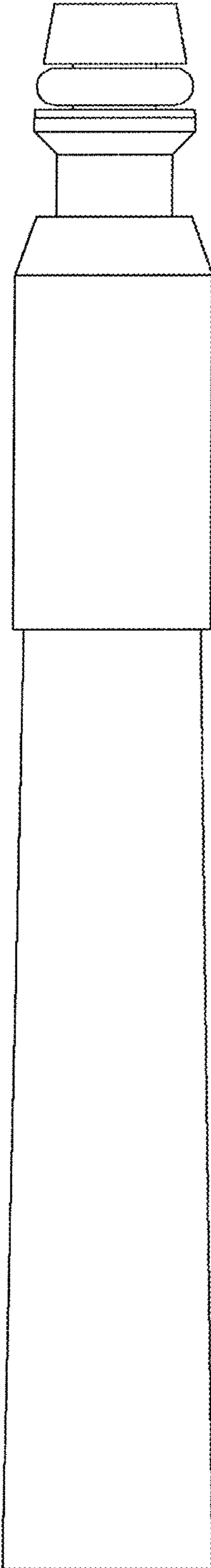


FIGURE 3