



US00D776933S

(12) **United States Design Patent** (10) **Patent No.:** **US D776,933 S**
Shou (45) **Date of Patent:** **** Jan. 24, 2017**

(54) **LINKED LOCKET STRAP FOR A HANDBAG**

Primary Examiner — Holly Baynham

(71) Applicant: **My Shou**, Lake Mary, FL (US)

(72) Inventor: **My Shou**, Lake Mary, FL (US)

(**) Term: **15 Years**

(21) Appl. No.: **29/534,565**

(22) Filed: **Jul. 29, 2015**

(51) **LOC (10) Cl.** **03-01**

(52) **U.S. Cl.**
USPC **D3/327**

(58) **Field of Classification Search**

USPC D3/318, 327
CPC A45F 5/10; A45F 3/04; A63B 55/00
See application file for complete search history.

(56) **References Cited**

U.S. PATENT DOCUMENTS

D448,170 S *	9/2001	Ammerman	D3/327
D518,641 S *	4/2006	Della Valle	D3/327
D518,961 S *	4/2006	Armstrong	D3/327
D650,589 S *	12/2011	Overton	D3/327
D759,374 S *	6/2016	Cheung-Costanza	D3/254

* cited by examiner

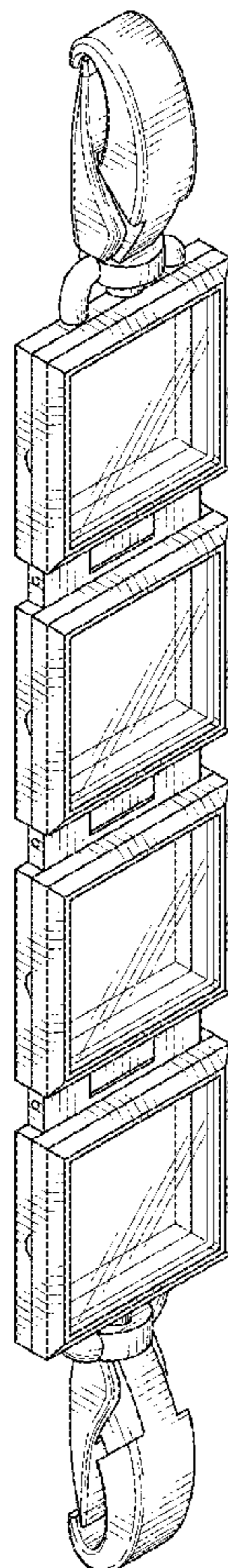
(57) **CLAIM**

I claim the ornamental design for a linked locket strap for a handbag, as shown and described.

DESCRIPTION

FIG. 1 is a perspective view of a linked locket strap for a handbag showing my new design.
FIG. 2 is a top view thereof;
FIG. 3 is a bottom view thereof;
FIG. 4 is a left side view thereof;
FIG. 5 is a right side view thereof;
FIG. 6 is a front view thereof;
FIG. 7 is a back view thereof; and,
FIG. 8 is a perspective view used in environment thereof.
The broken line portions in the drawings describe environmental subject matter only and form no part of the claimed designed.

1 Claim, 3 Drawing Sheets



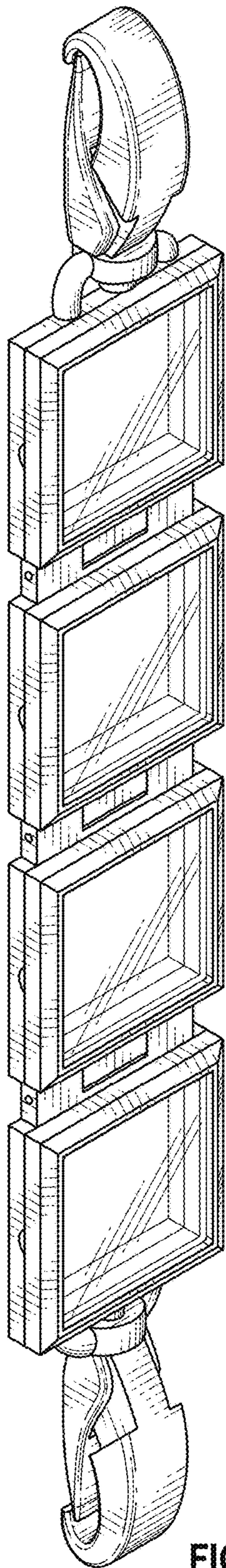


FIG. 1

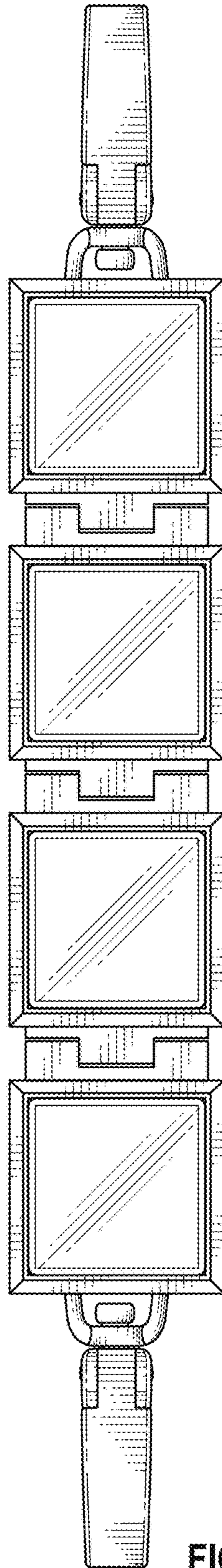


FIG. 2

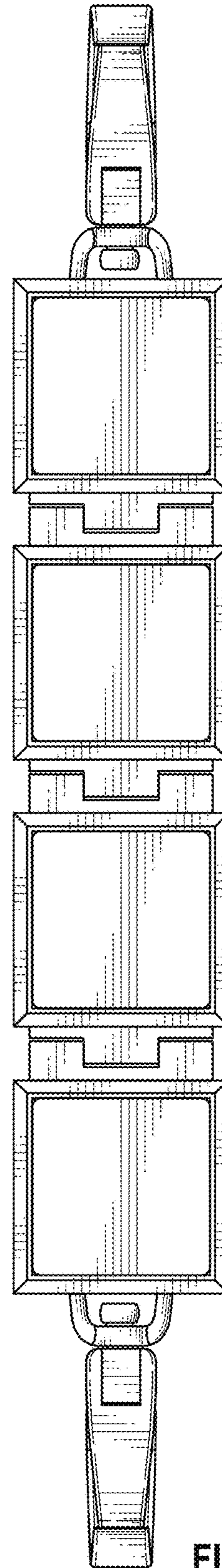


FIG. 3

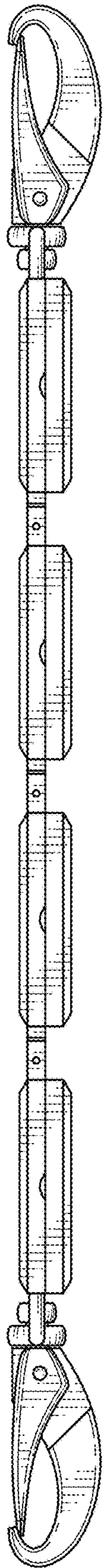


FIG. 4

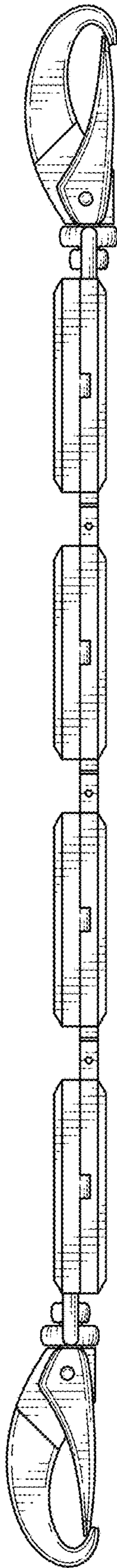


FIG. 5

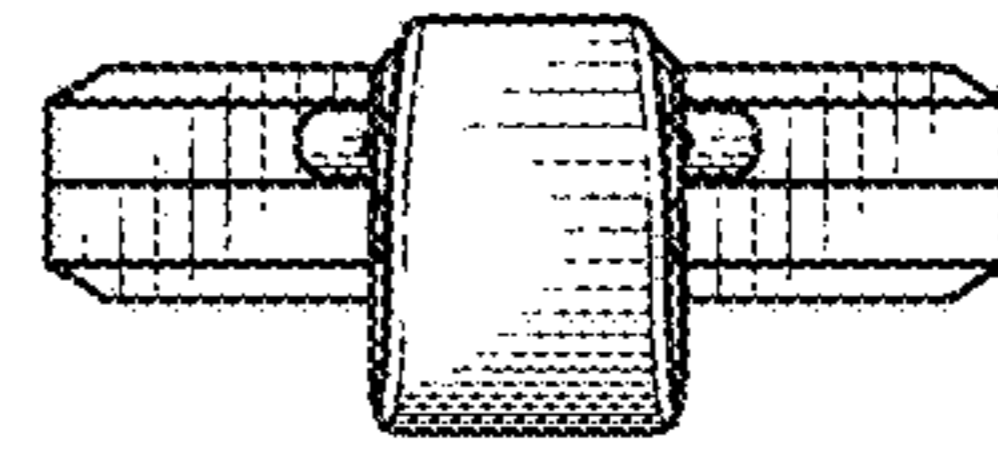


FIG. 6

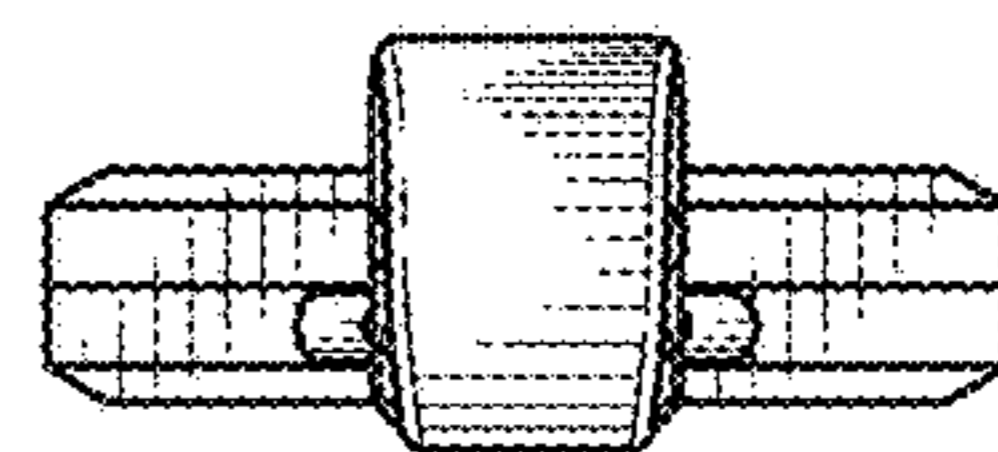


FIG. 7

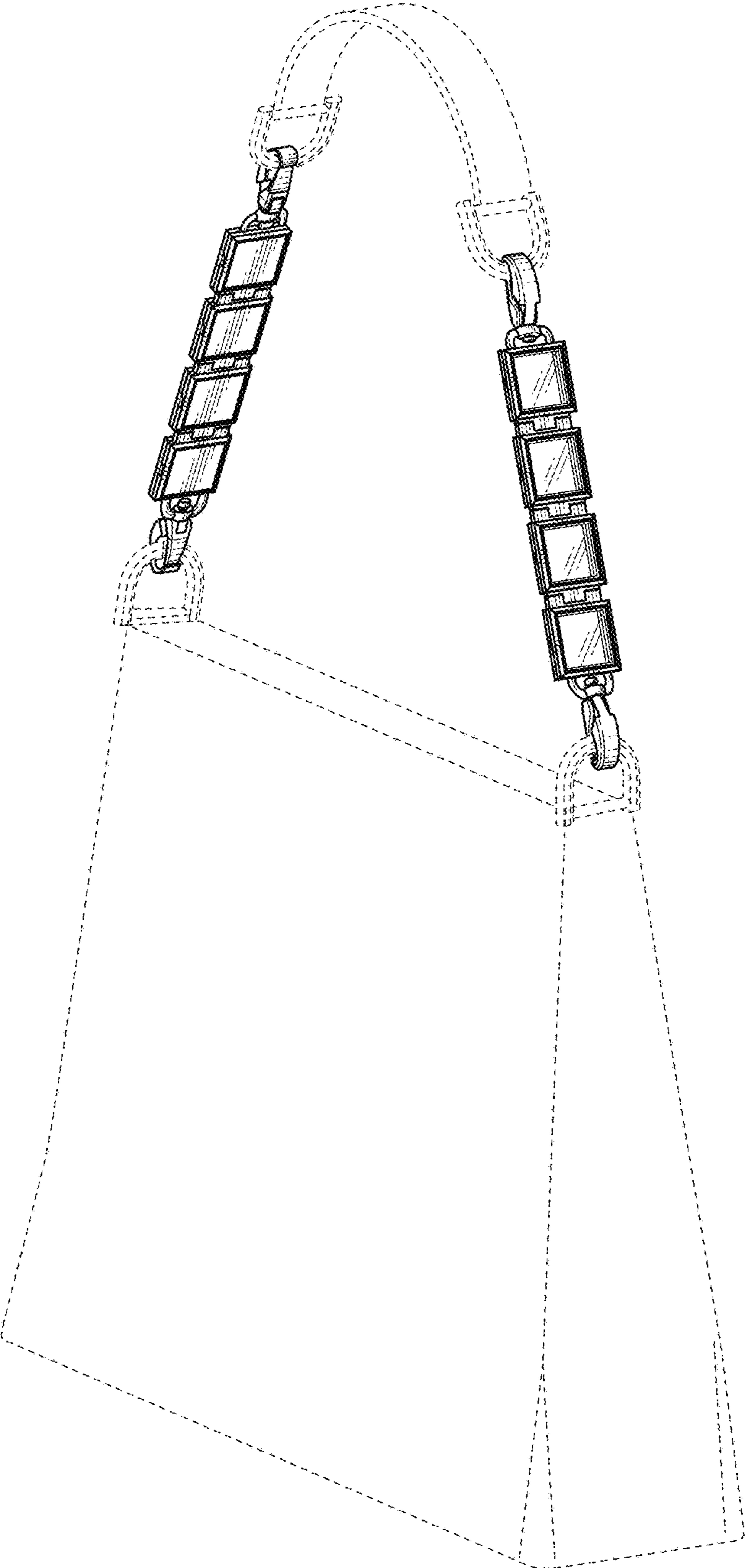


FIG. 8