



US00D776931S

(12) **United States Design Patent**
Lehan

(10) **Patent No.:** **US D776,931 S**
(45) **Date of Patent:** **** Jan. 24, 2017**

(54) **CHILD CARRIER HAVING ADJUSTABLE SEAT COUPLING**

(71) Applicant: **Lisbeth Lehan**, Niwot, CO (US)
(72) Inventor: **Lisbeth Lehan**, Niwot, CO (US)
(73) Assignee: **Lisbeth Lehan**, Niwot, CO (US)
(**) Term: **15 Years**

(21) Appl. No.: **29/532,096**
(22) Filed: **Jul. 1, 2015**

(51) **LOC (10) Cl.** **03-01**

(52) **U.S. Cl.**
USPC **D3/318**

(58) **Field of Classification Search**

USPC D3/214, 318
CPC A47D 13/025; A47D 13/02; A45F 3/04
See application file for complete search history.

(56) **References Cited**

U.S. PATENT DOCUMENTS

D692,227 S * 10/2013 Andren D3/213
9,314,113 B1 * 4/2016 Lehan A47D 13/025

FOREIGN PATENT DOCUMENTS

JP	912646	11/1994
KR	30-0543428	10/2009
KR	30-0594247	4/2011
KR	30-0696097	6/2013

OTHER PUBLICATIONS

Japanese Patent Application No. 2015-029228, Office Action mailed Aug. 16, 2016, 6 pp.

* cited by examiner

Primary Examiner — Holly Baynham

(74) *Attorney, Agent, or Firm* — Lathrop & Gage LLP

(57) **CLAIM**

The ornamental design for a child carrier having adjustable seat coupling, as shown and described.

DESCRIPTION

FIG. 1 is a front perspective view of a child carrier having adjustable seat coupling incorporating my new design, in an embodiment;

FIG. 2 is a back perspective view thereof;

FIG. 3 is a front view thereof;

FIG. 4 is a back view thereof;

FIG. 5 is a left side view thereof;

FIG. 6 is a right side view thereof;

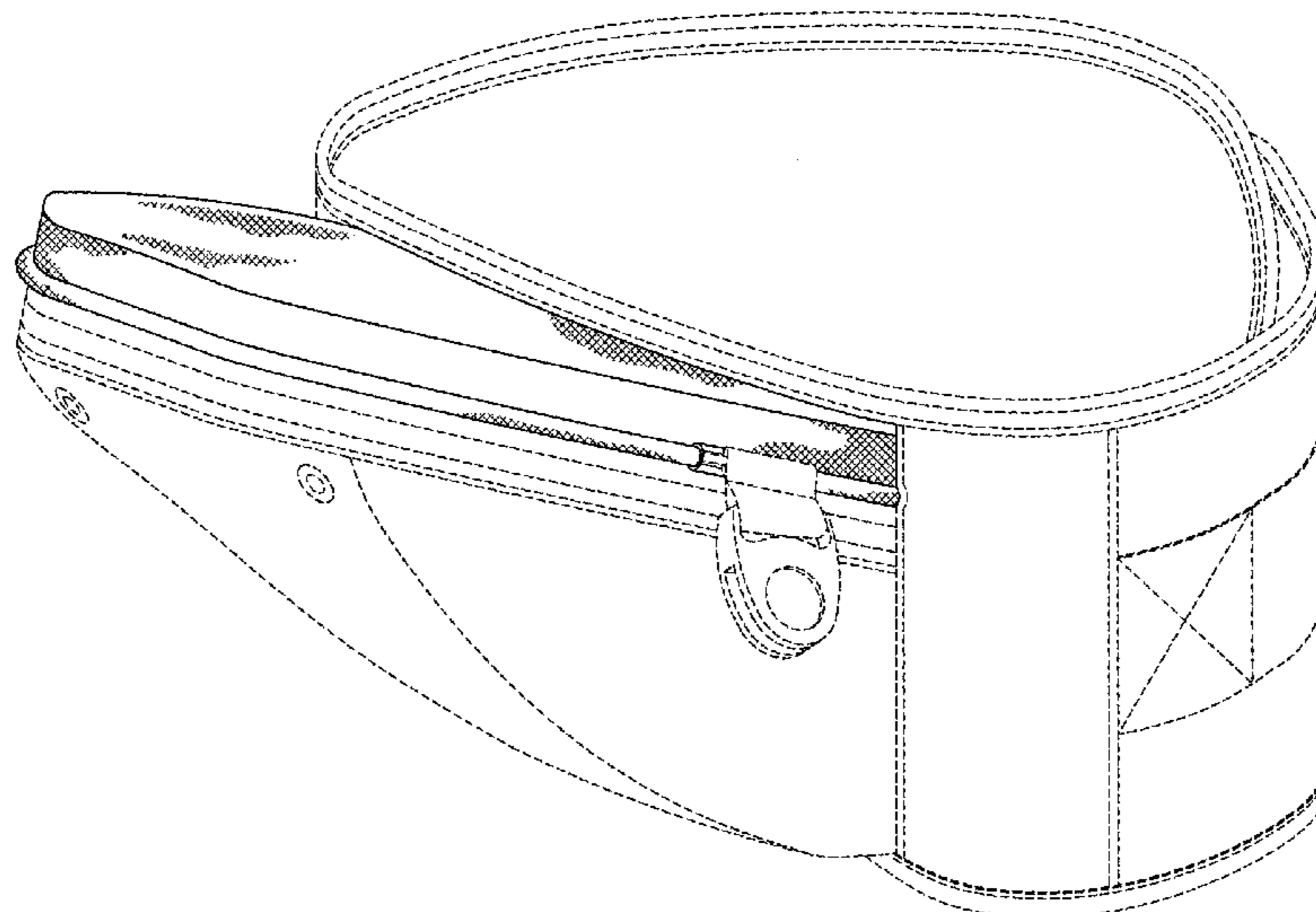
FIG. 7 is a top view thereof;

FIG. 8 is a bottom view thereof; and,

FIG. 9 is an alternate perspective view thereof showing the sliding ability of the clip, it should be appreciated that the clip is capable of sliding to other locations without departing from the scope hereof.

The broken lines show portions of the child carrier having adjustable seat coupling, such as the belt, as well as portions of a storage component such as a zipper and outer fabric on the bottom of the child carrier. They are shown for the purposes of illustrating environment and form no part of the claimed design.

1 Claim, 9 Drawing Sheets



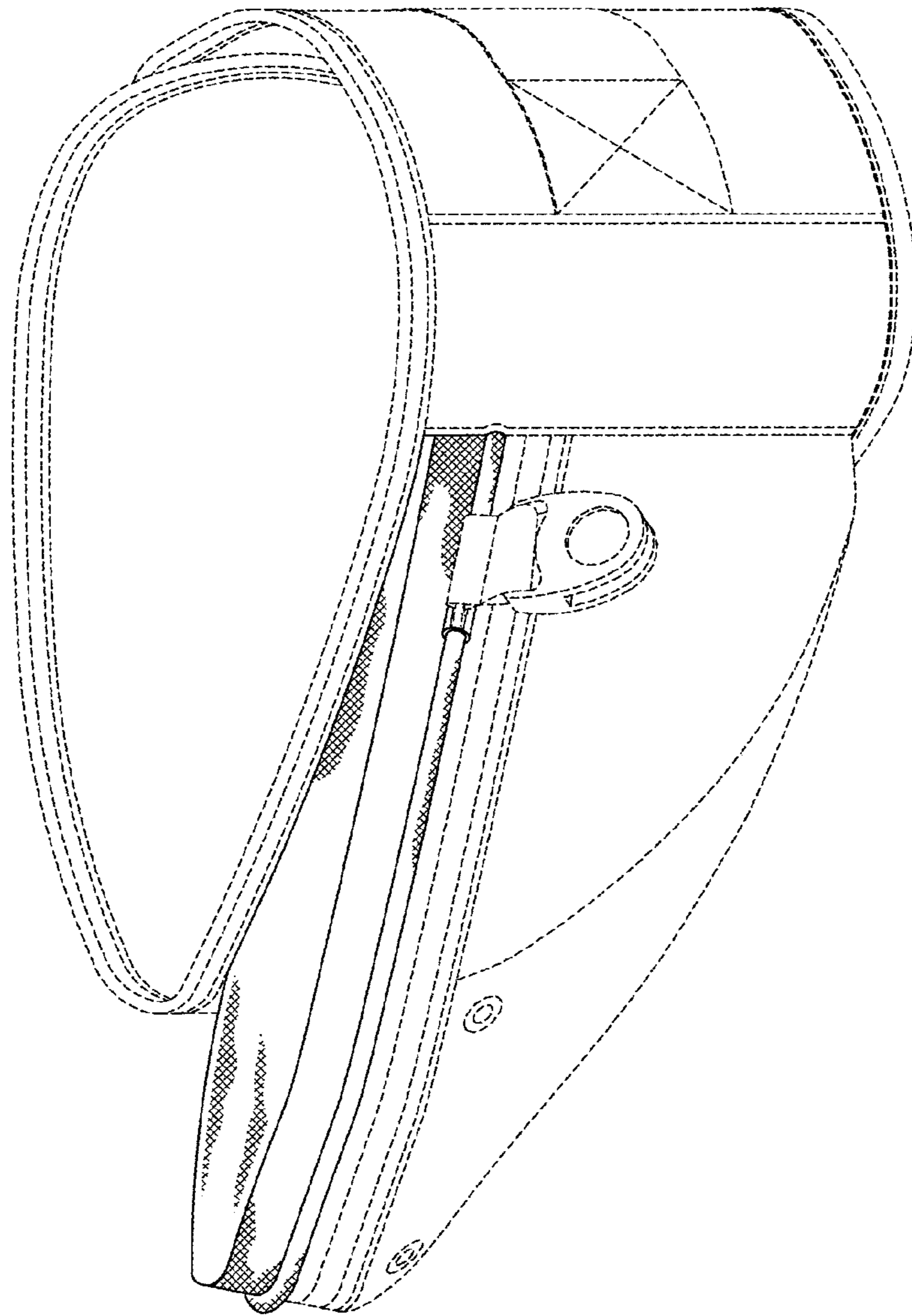


FIG. 1

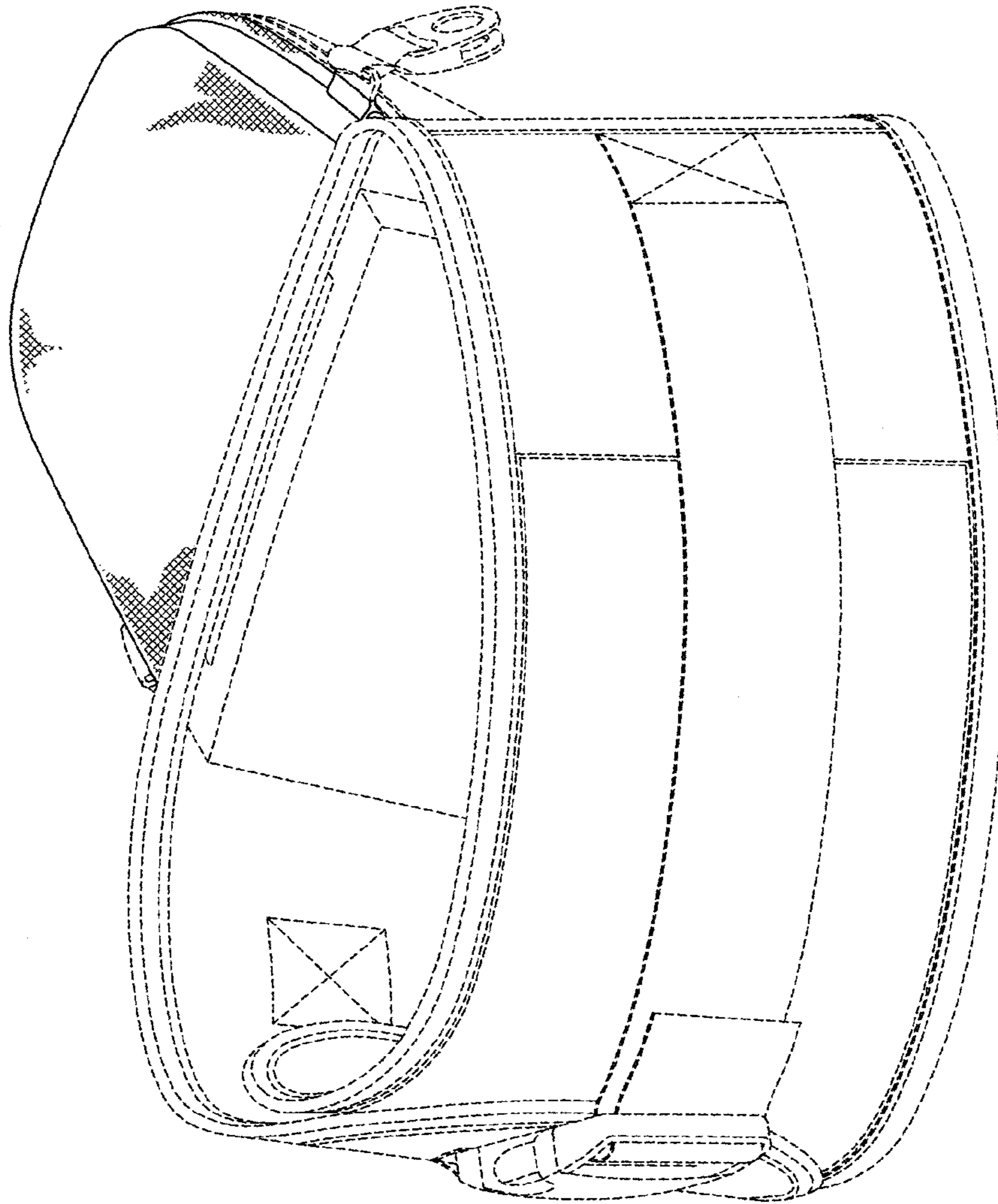


FIG. 2

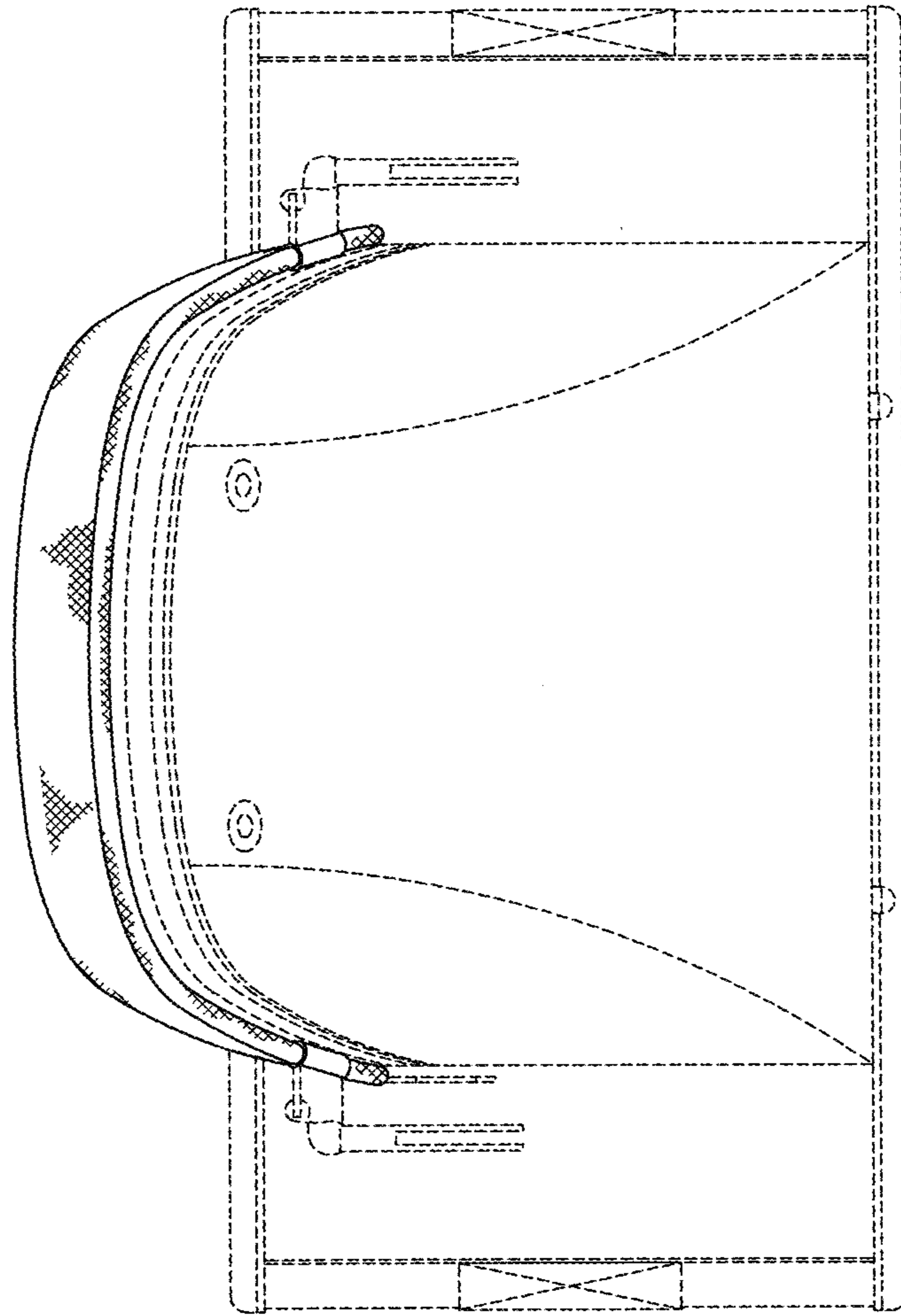


FIG. 3

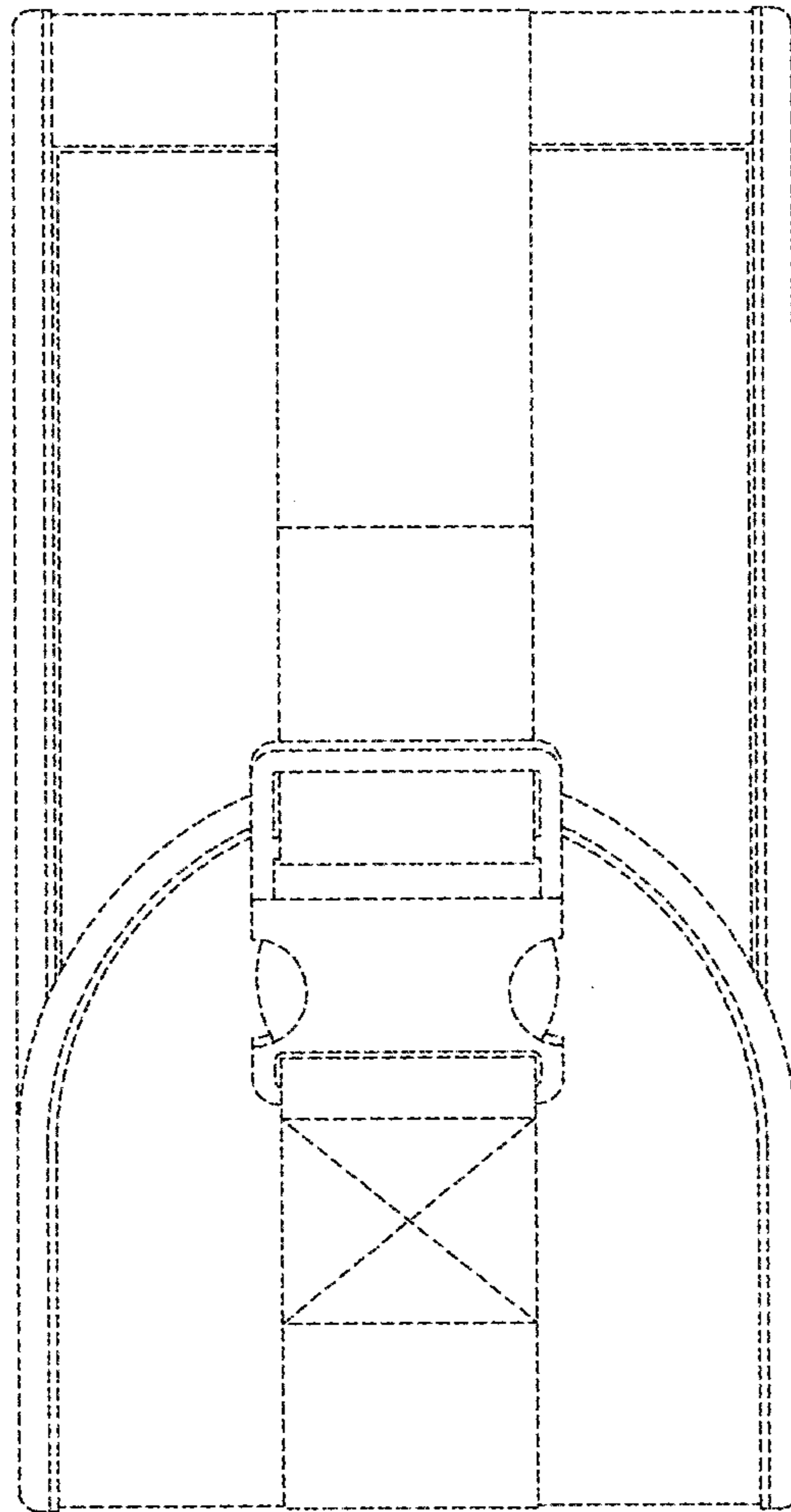


FIG.4

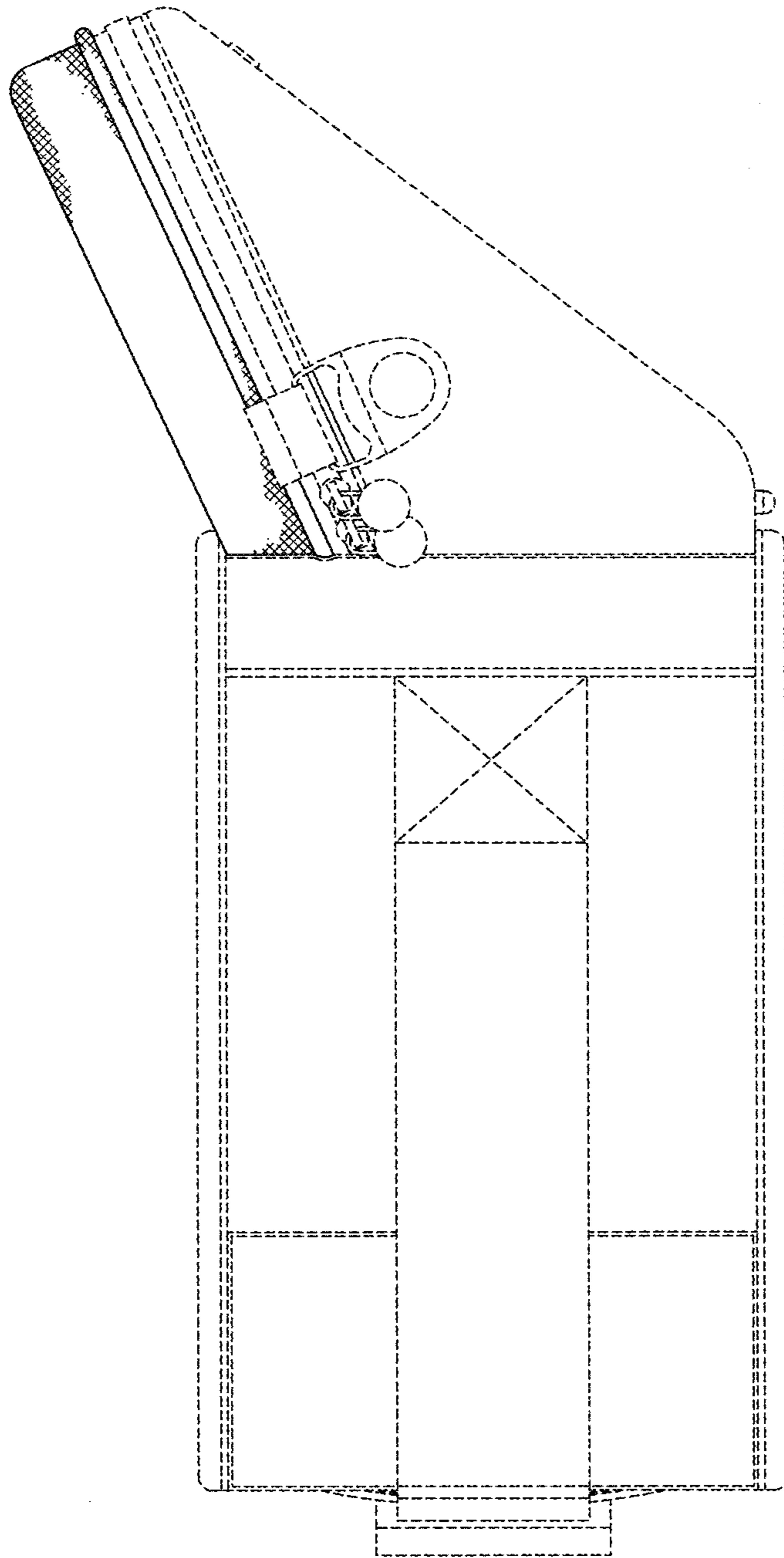


FIG. 5

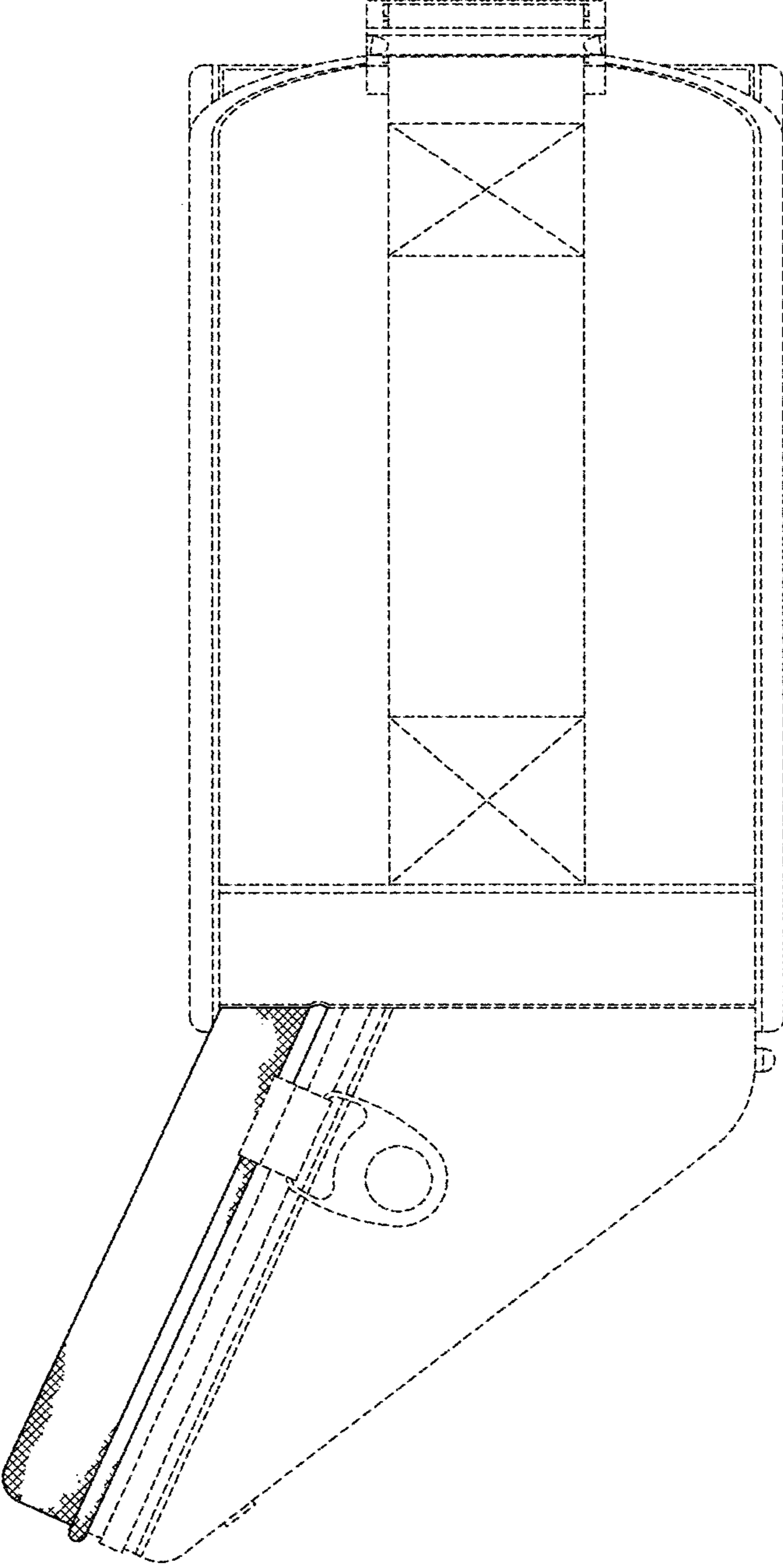


FIG. 6

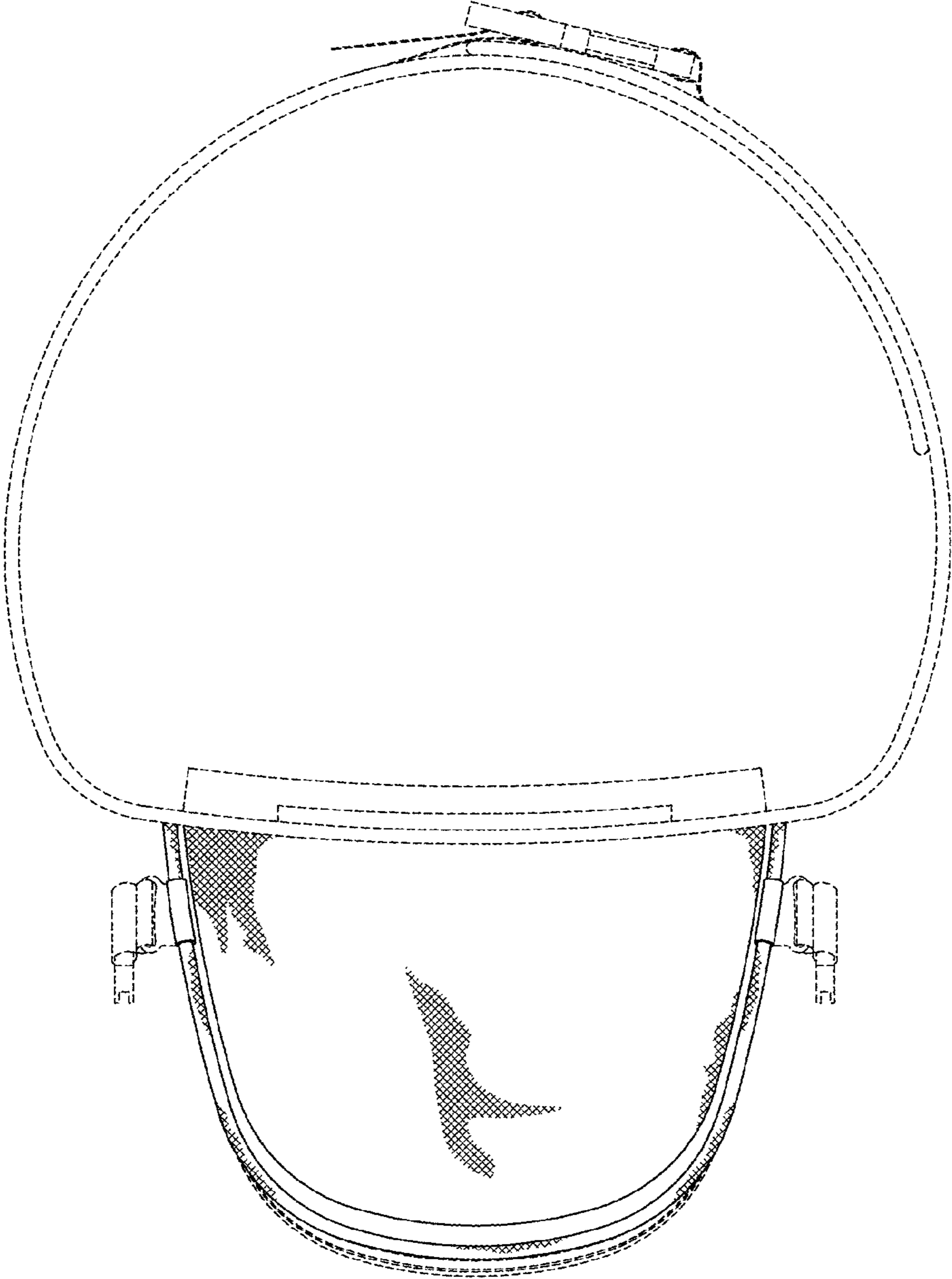


FIG. 7

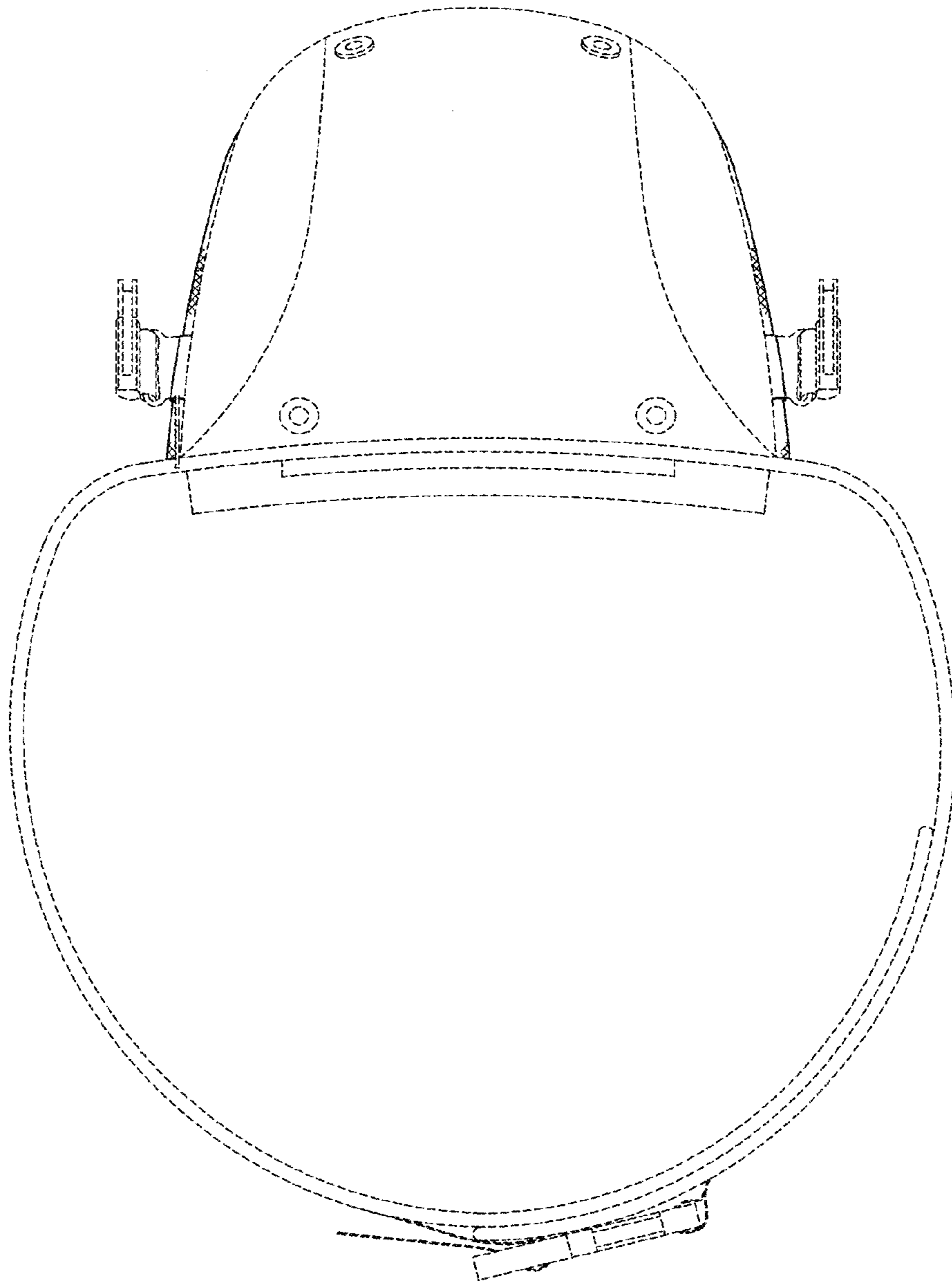


FIG.8

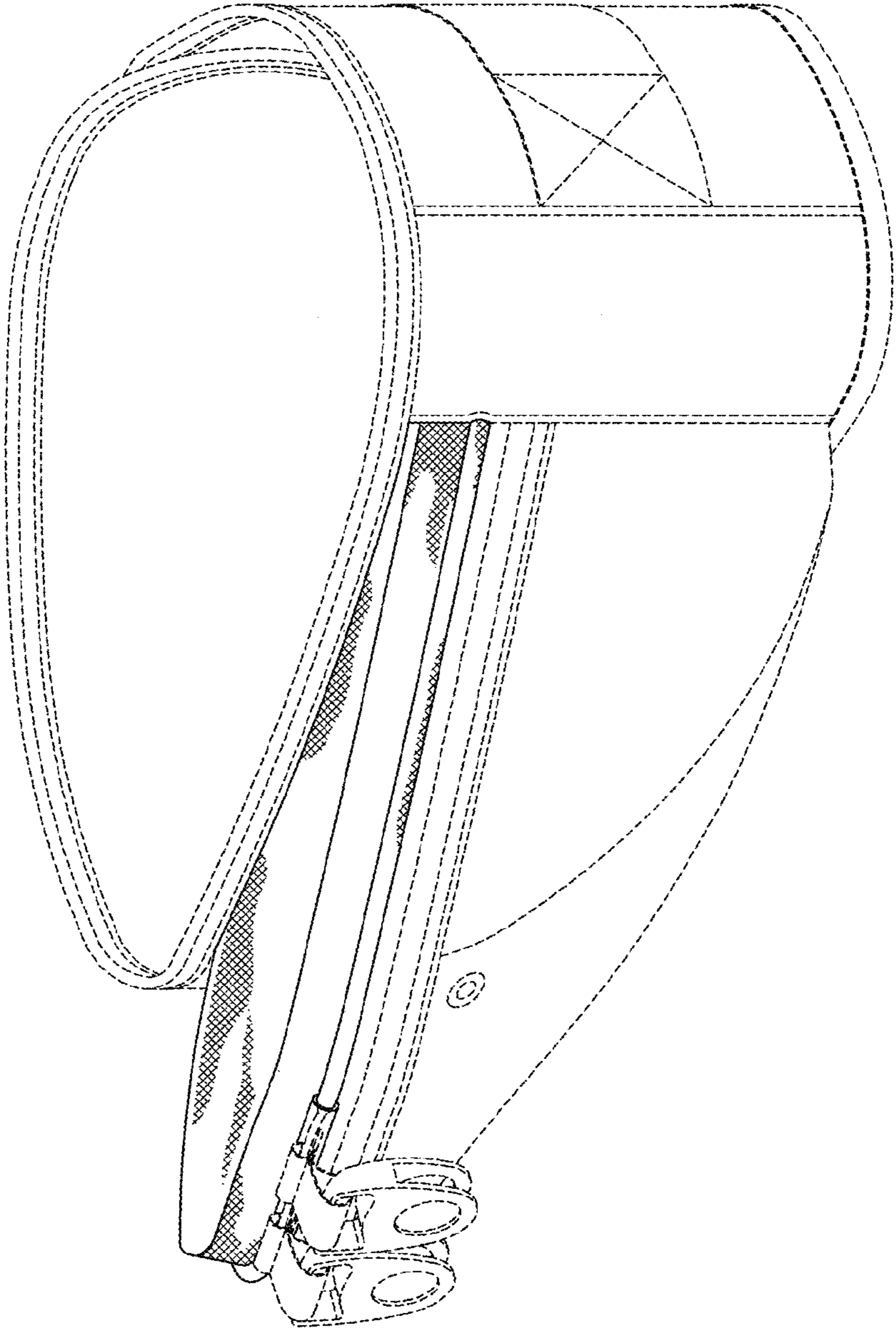


FIG. 9