



US00D776930S

(12) **United States Design Patent**  
**Rowland**

(10) **Patent No.:** **US D776,930 S**

(45) **Date of Patent:** **\*\* \*Jan. 24, 2017**

(54) **CARRYING CASE WITH ATTACHMENT**

(71) Applicant: **Bill G. Rowland**, Paragould, AR (US)

(72) Inventor: **Bill G. Rowland**, Paragould, AR (US)

(\* ) Notice: This patent is subject to a terminal disclaimer.

(\*\*) Term: **15 Years**

(21) Appl. No.: **29/528,969**

(22) Filed: **Jun. 2, 2015**

(51) **LOC (10) Cl.** ..... **03-01**

(52) **U.S. Cl.**  
USPC ..... **D3/318**

(58) **Field of Classification Search**  
USPC ..... D3/215, 218, 318  
CPC ..... A45C 11/00  
See application file for complete search history.

(56) **References Cited**

**U.S. PATENT DOCUMENTS**

D379,868 S *	6/1997	Robinson	.....	D3/215
D606,303 S *	12/2009	Fahrendorff	.....	D3/218
D611,702 S *	3/2010	Fahrendorff	.....	D3/218
D630,428 S *	1/2011	Hong	.....	D3/222

D635,354 S *	4/2011	Uchida	.....	D3/218
D685,991 S *	7/2013	Pearce	.....	D3/218
D695,007 S *	12/2013	Zhang	.....	D3/218
D718,930 S *	12/2014	Cabana	.....	D3/215
9,392,853 B2 *	7/2016	Lawler	.....	A45C 11/00

\* cited by examiner

*Primary Examiner* — Holly Baynham  
(74) *Attorney, Agent, or Firm* — Schrantz Law Firm, PLLC; Stephen D. Schrantz

(57) **CLAIM**

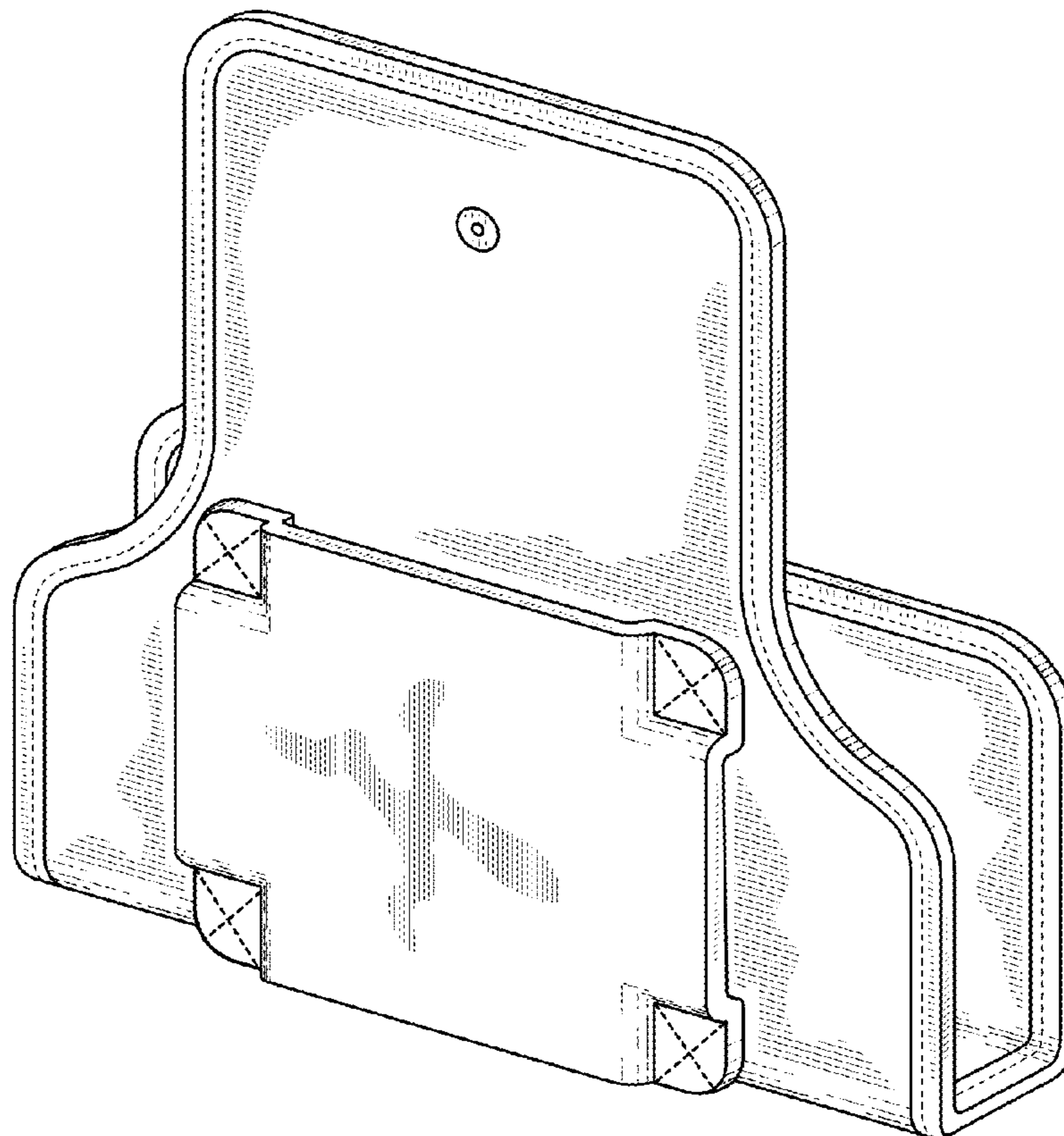
The ornamental design for a carrying case with attachment, as shown and described.

**DESCRIPTION**

FIG. 1 is a front perspective view showing my new design; FIG. 2 is a front view thereof; FIG. 3 is a right side view thereof; FIG. 4 is a rear view thereof; FIG. 5 is a left side view thereof; FIG. 6 is a top view thereof; FIG. 7 is a bottom view thereof; FIG. 8 is an environmental view thereof; and, FIG. 9 is an environmental view thereof.

The evenly spaced broken lines showing stitching and the dot dash dot dashed broken lines showing a portion of a belt are for the purposes of illustrating environment and form no part of the claimed design.

**1 Claim, 7 Drawing Sheets**



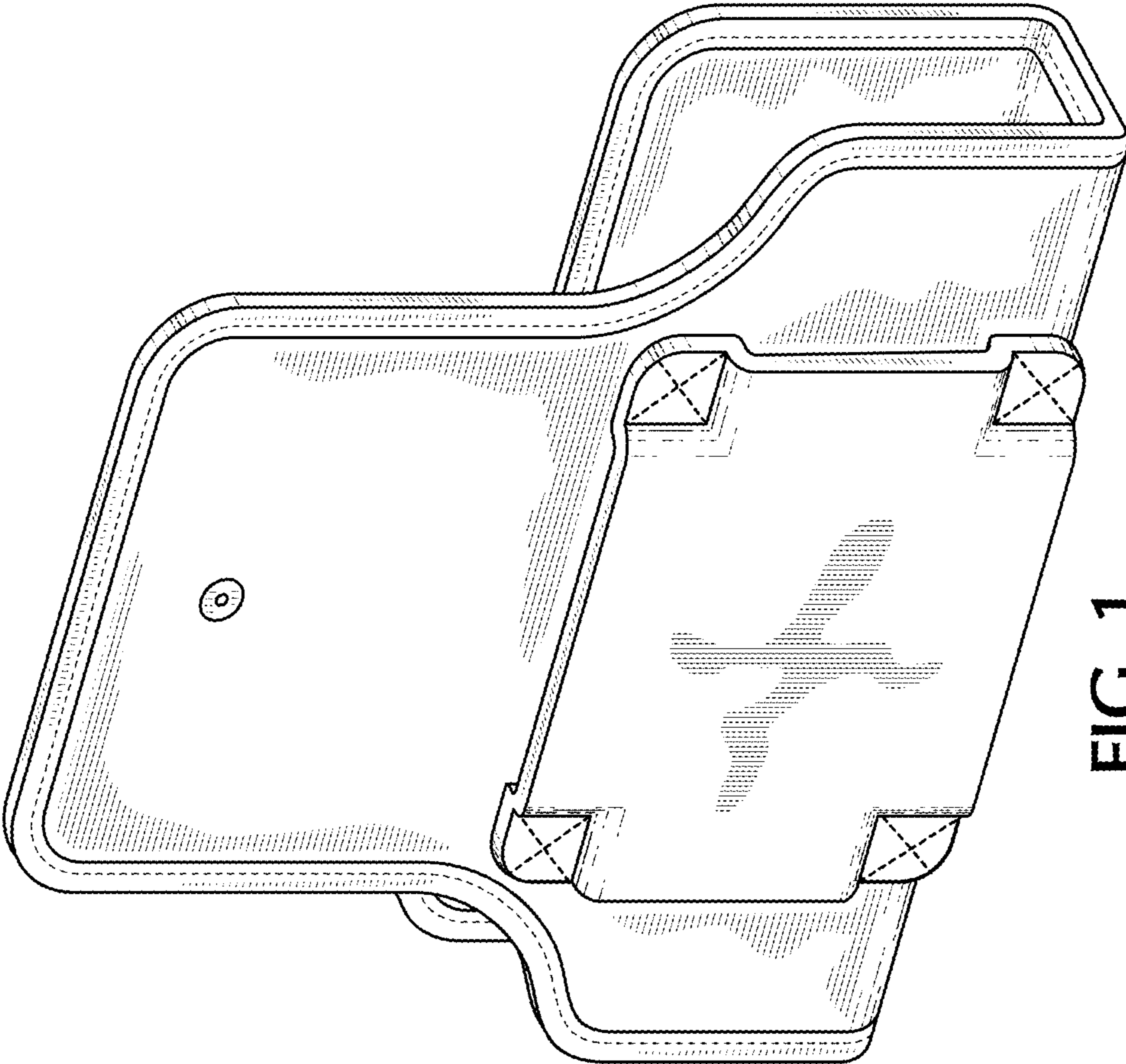


FIG. 1

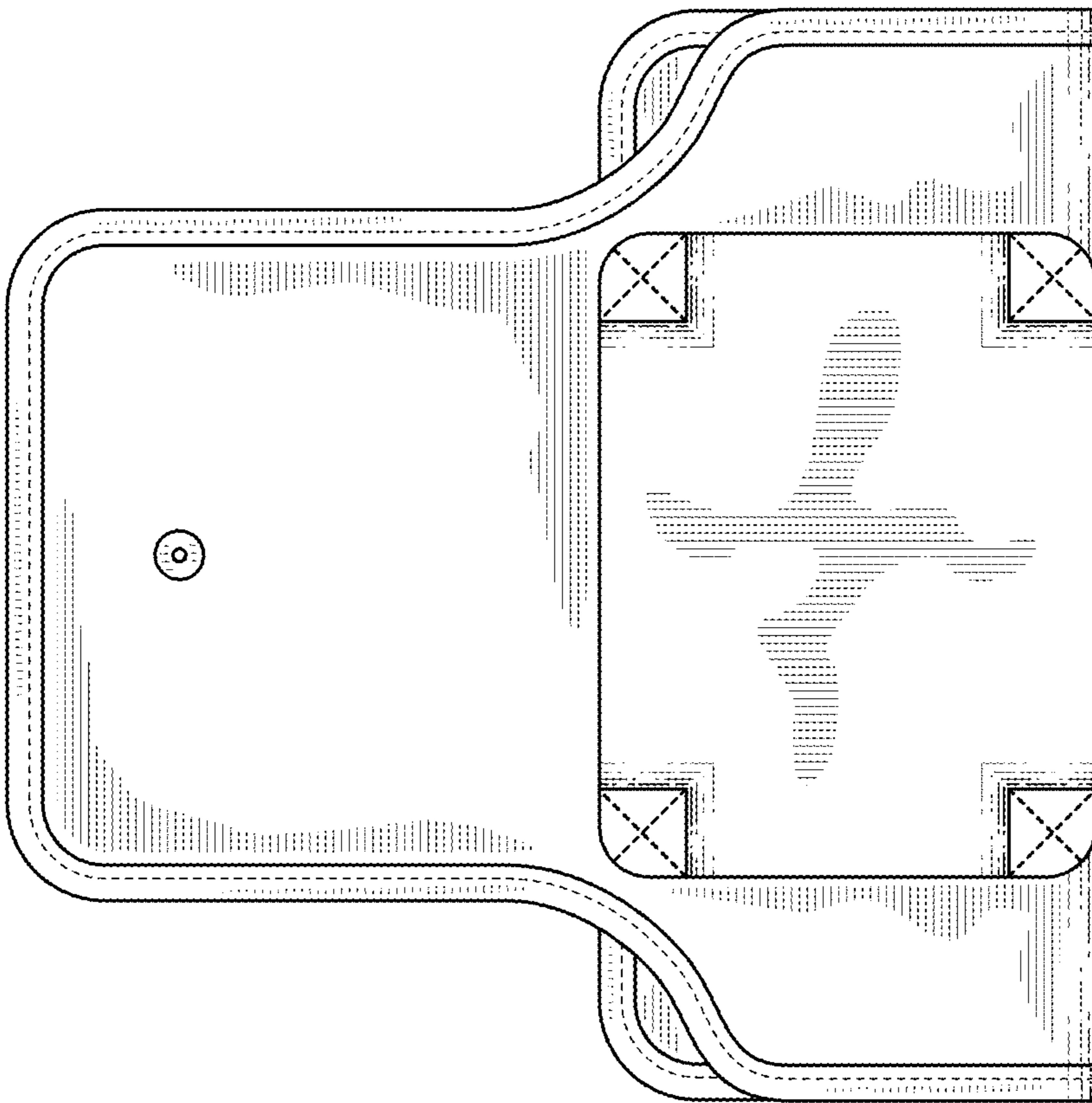


FIG. 2

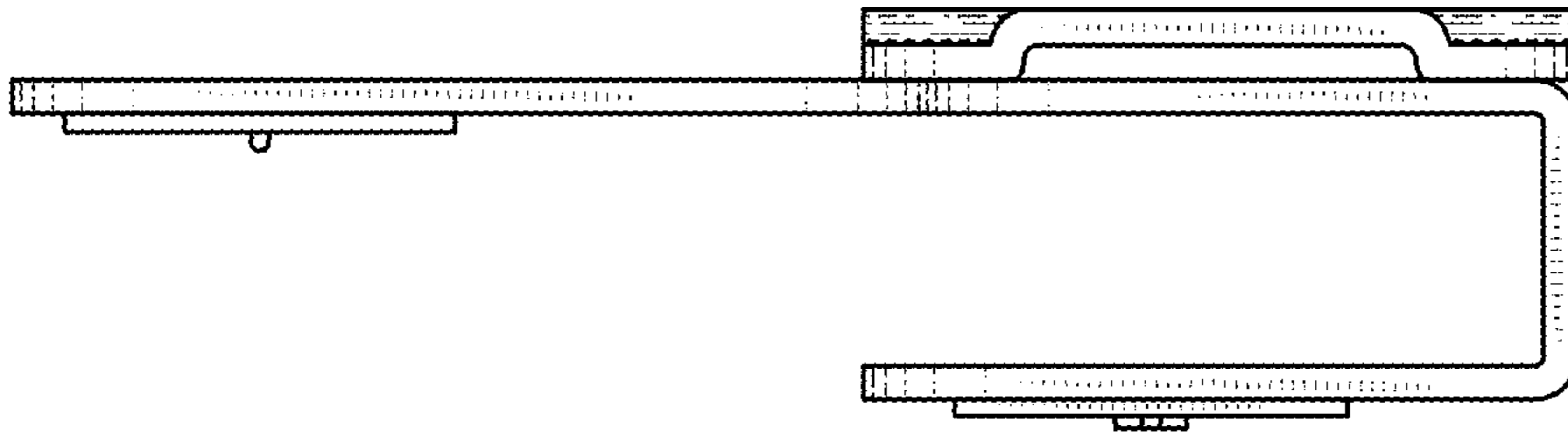


FIG. 5

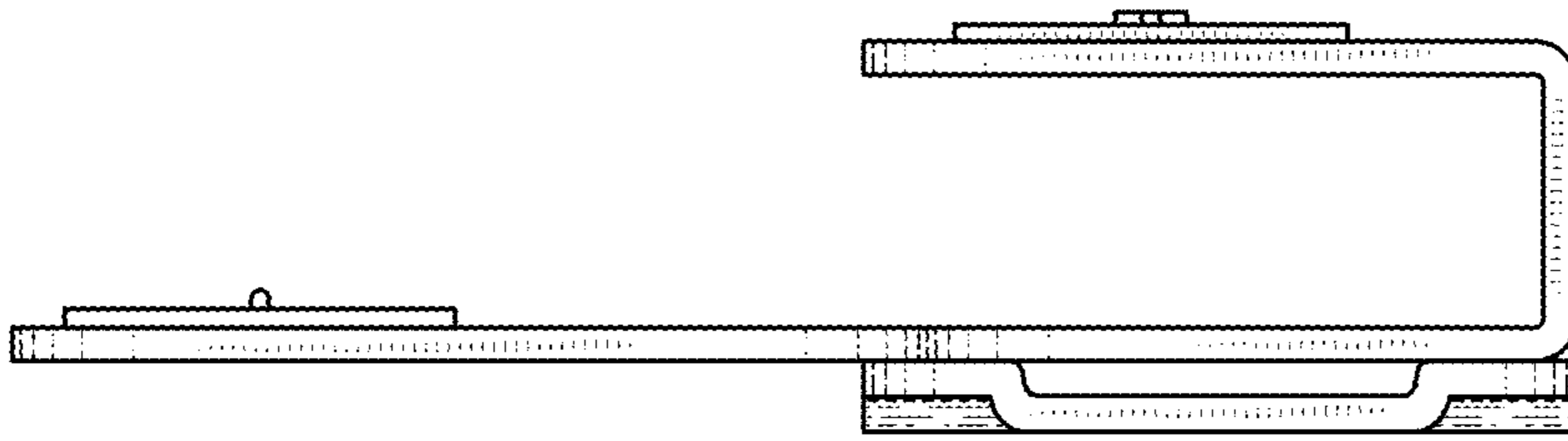


FIG. 3

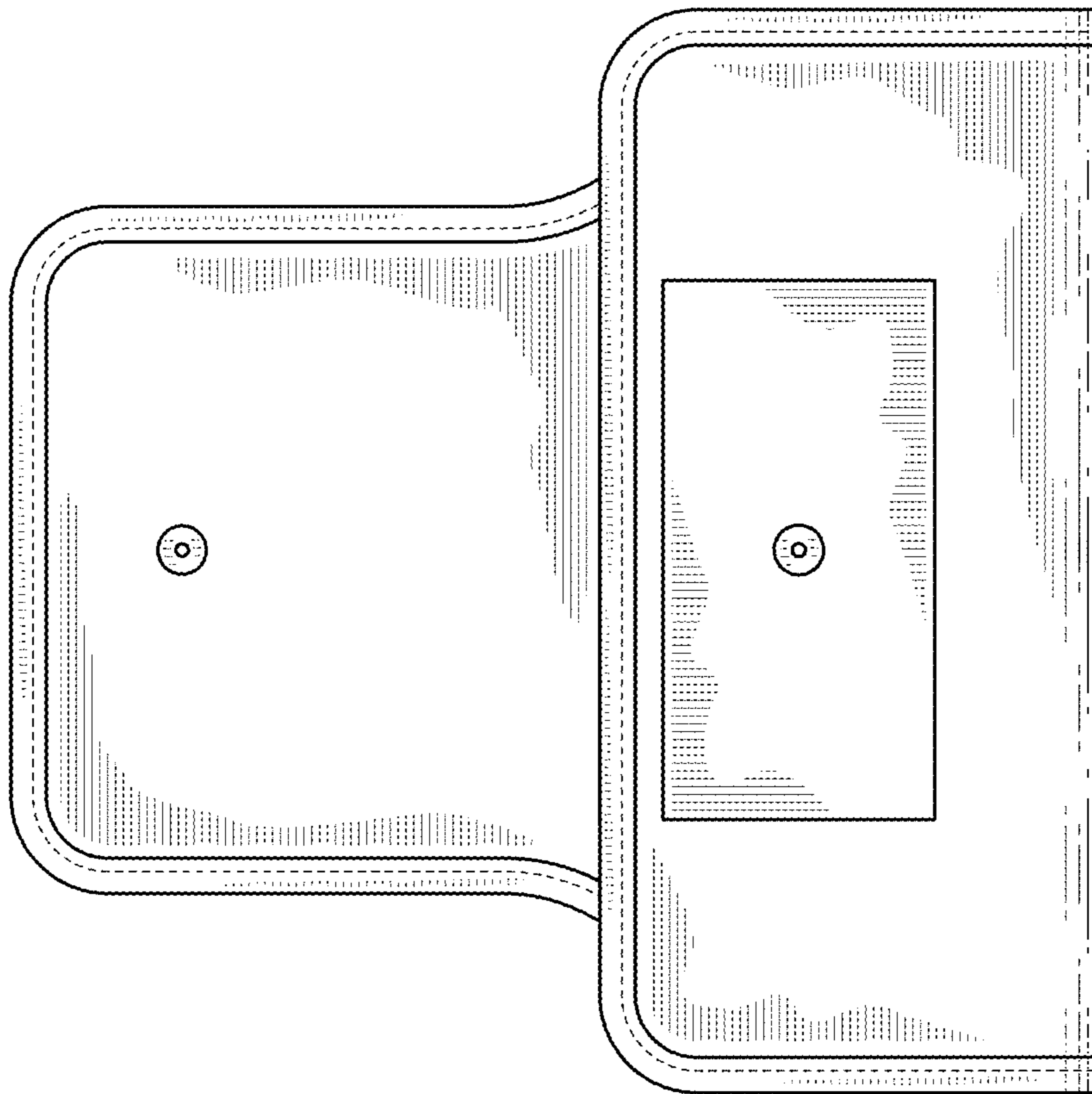


FIG. 4

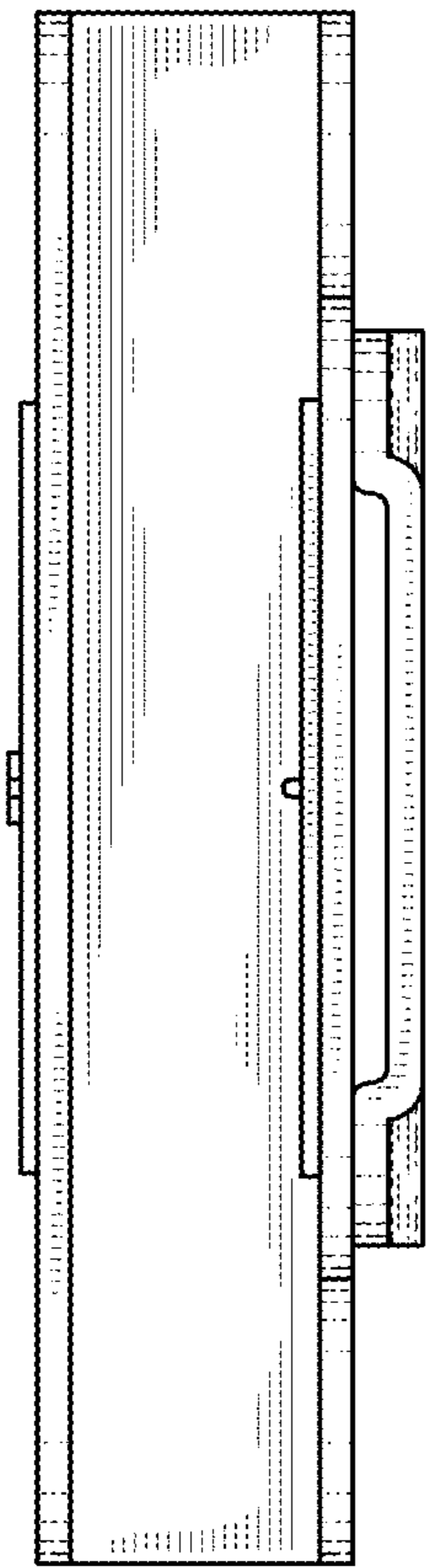


FIG. 6

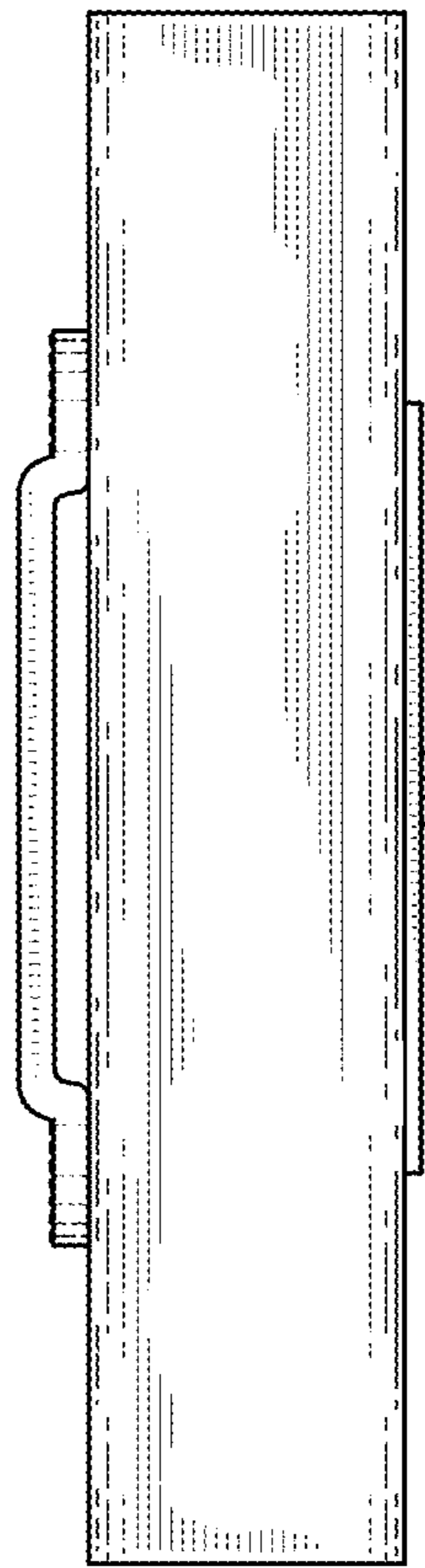


FIG. 7

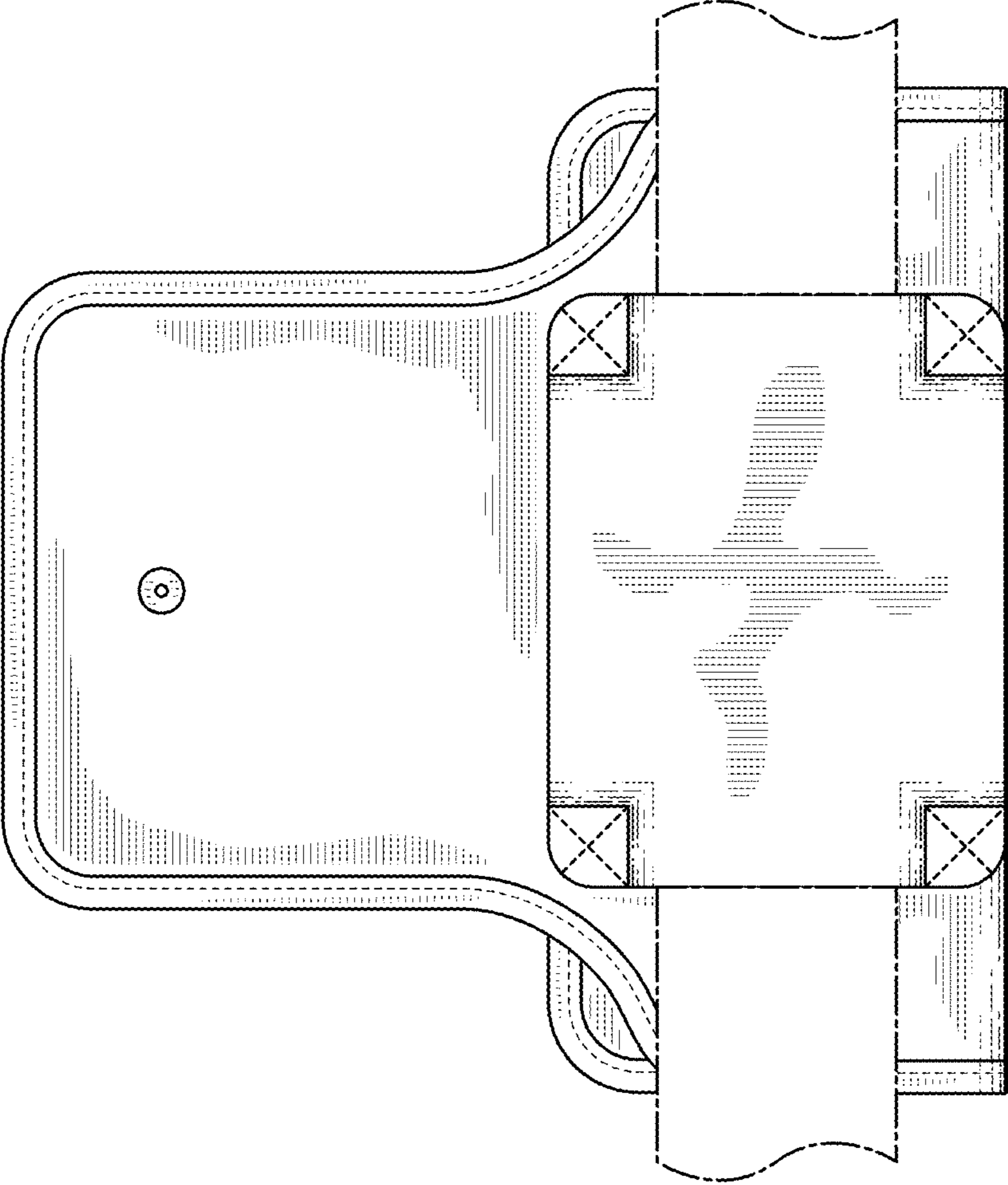


FIG. 8

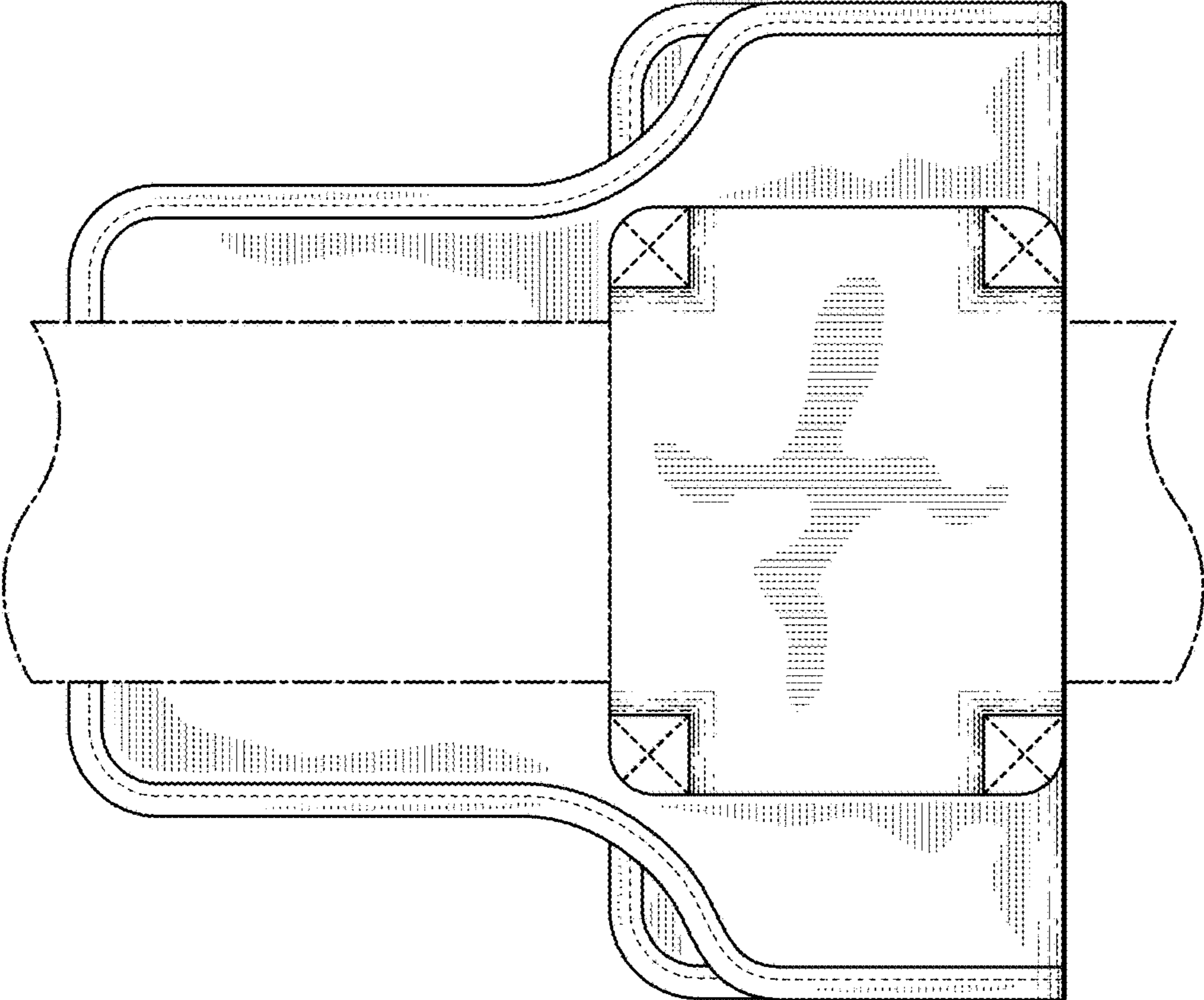


FIG. 9