



US00D776923S

(12) **United States Design Patent**
Sassi

(10) **Patent No.:** **US D776,923 S**
(45) **Date of Patent:** **** Jan. 24, 2017**

(54) **BAG**
(71) Applicant: **VALENTINO S.p.A.**, Milan (IT)
(72) Inventor: **Stefano Sassi**, Varese (IT)
(73) Assignee: **VALENTINO S.p.A.**, Milan (IT)
(**) Term: **15 Years**
(21) Appl. No.: **29/532,694**
(22) Filed: **Jul. 9, 2015**
(30) **Foreign Application Priority Data**

Jan. 13, 2015 (IT) MI2015O0003
(51) **LOC (10) Cl.** **03-01**
(52) **U.S. Cl.**
USPC **D3/243**
(58) **Field of Classification Search**
USPC D3/232-233, 240-243, 245-246
CPC A45C 1/024; A45C 3/06
See application file for complete search history.

(56) **References Cited**
U.S. PATENT DOCUMENTS
D260,458 S * 9/1981 Siegel D3/243
D686,820 S * 7/2013 Song D3/243

D693,572 S * 11/2013 Kuster D3/243
D695,517 S * 12/2013 Sassi D3/243
D761,015 S * 7/2016 Nair D3/243

* cited by examiner

Primary Examiner — Holly Baynham
(74) *Attorney, Agent, or Firm* — Thomas | Horstemeyer,
LLP

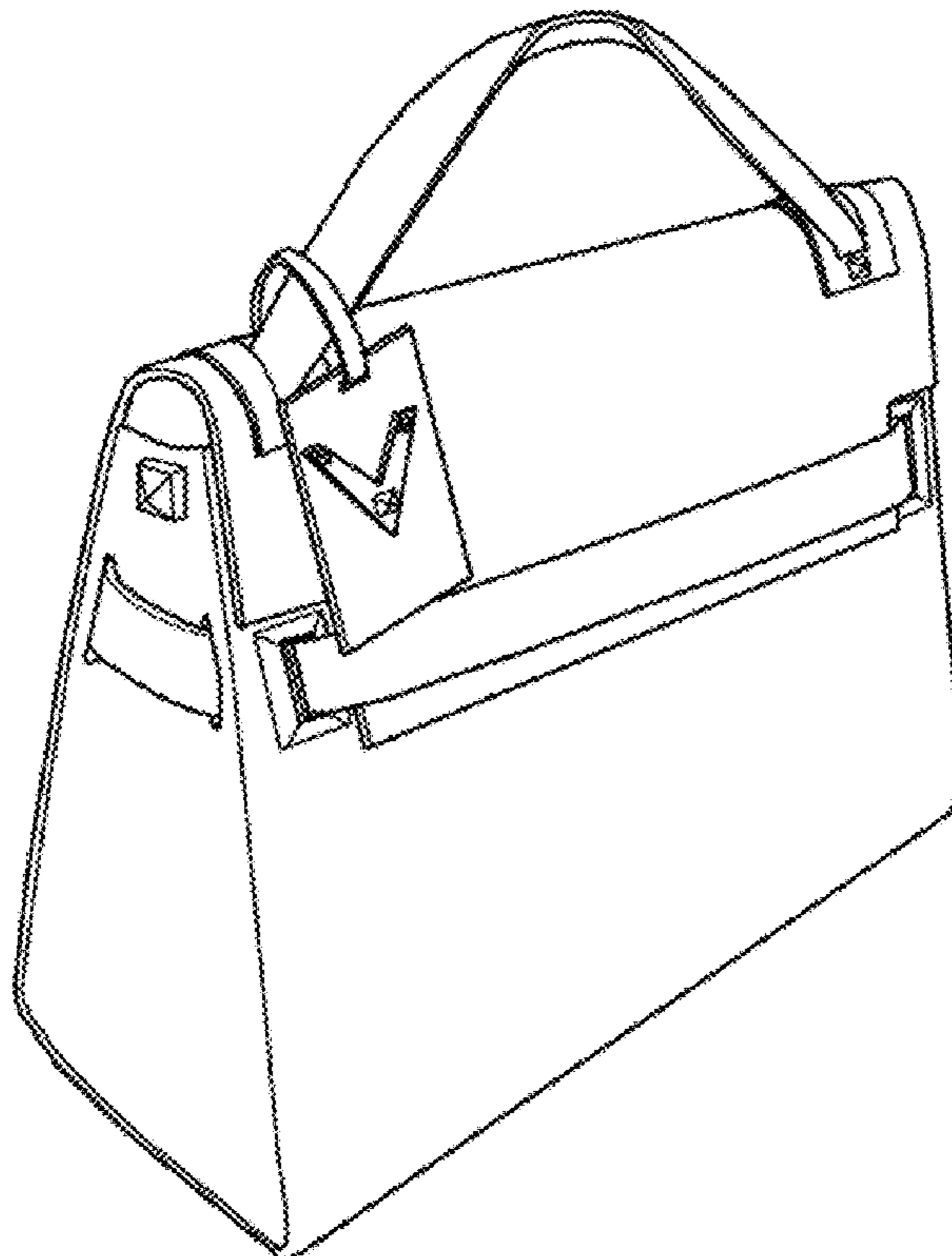
(57) **CLAIM**

The ornamental design for a bag, as shown and described.

DESCRIPTION

FIG. 1 is a perspective view of my new bag;
FIG. 2 is a front elevational view of my new bag of FIG. 1;
FIG. 3 is a rear elevational view of my new bag, opposite
that of FIG. 2;
FIG. 4 is a left side elevational view of my new bag of FIG.
1;
FIG. 5 is a right side elevational view of my new bag from
a side opposite that of FIG. 4;
FIG. 6 is a top view of my new bag; and,
FIG. 7 is a bottom view of my new bag.

1 Claim, 7 Drawing Sheets



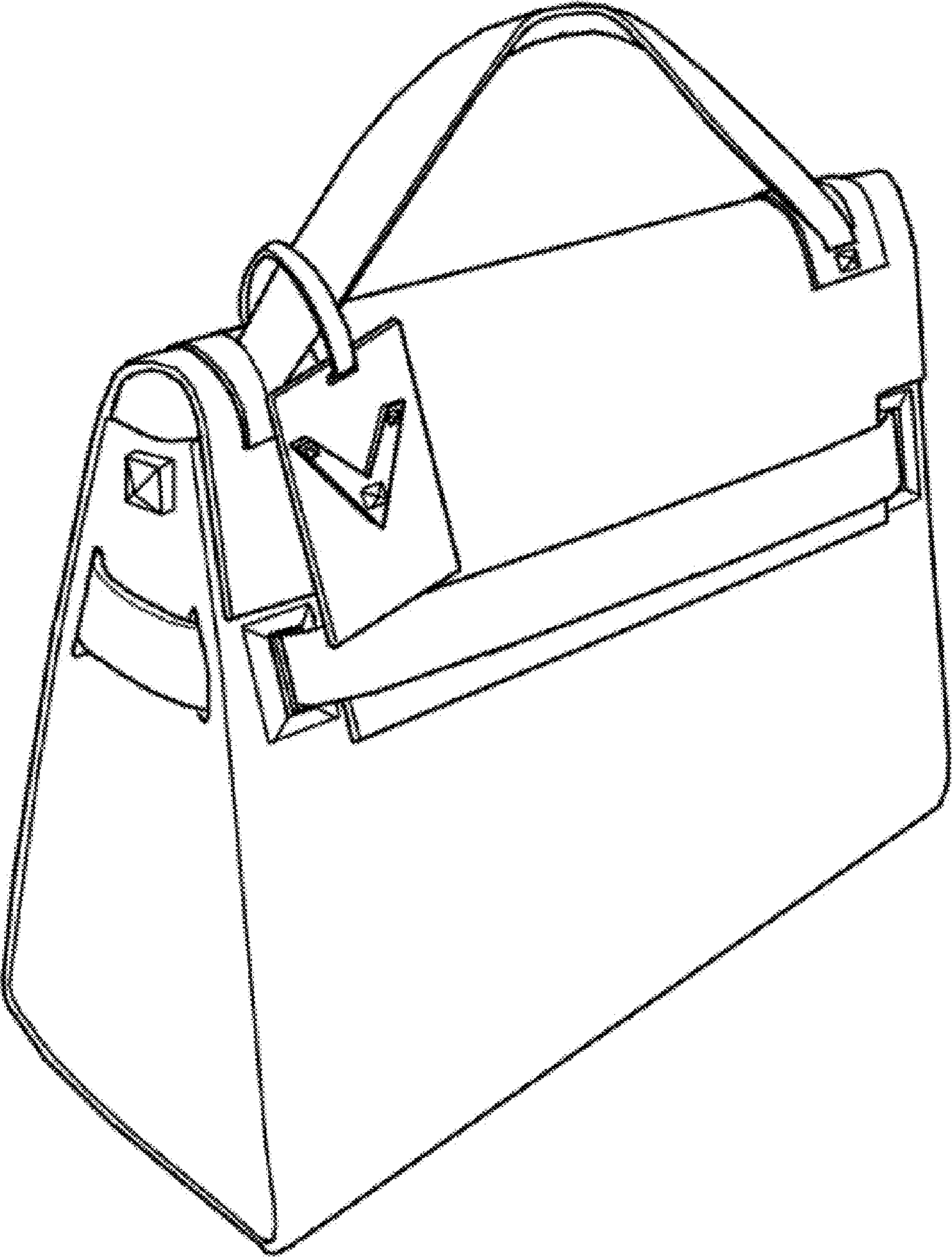


FIG. 1

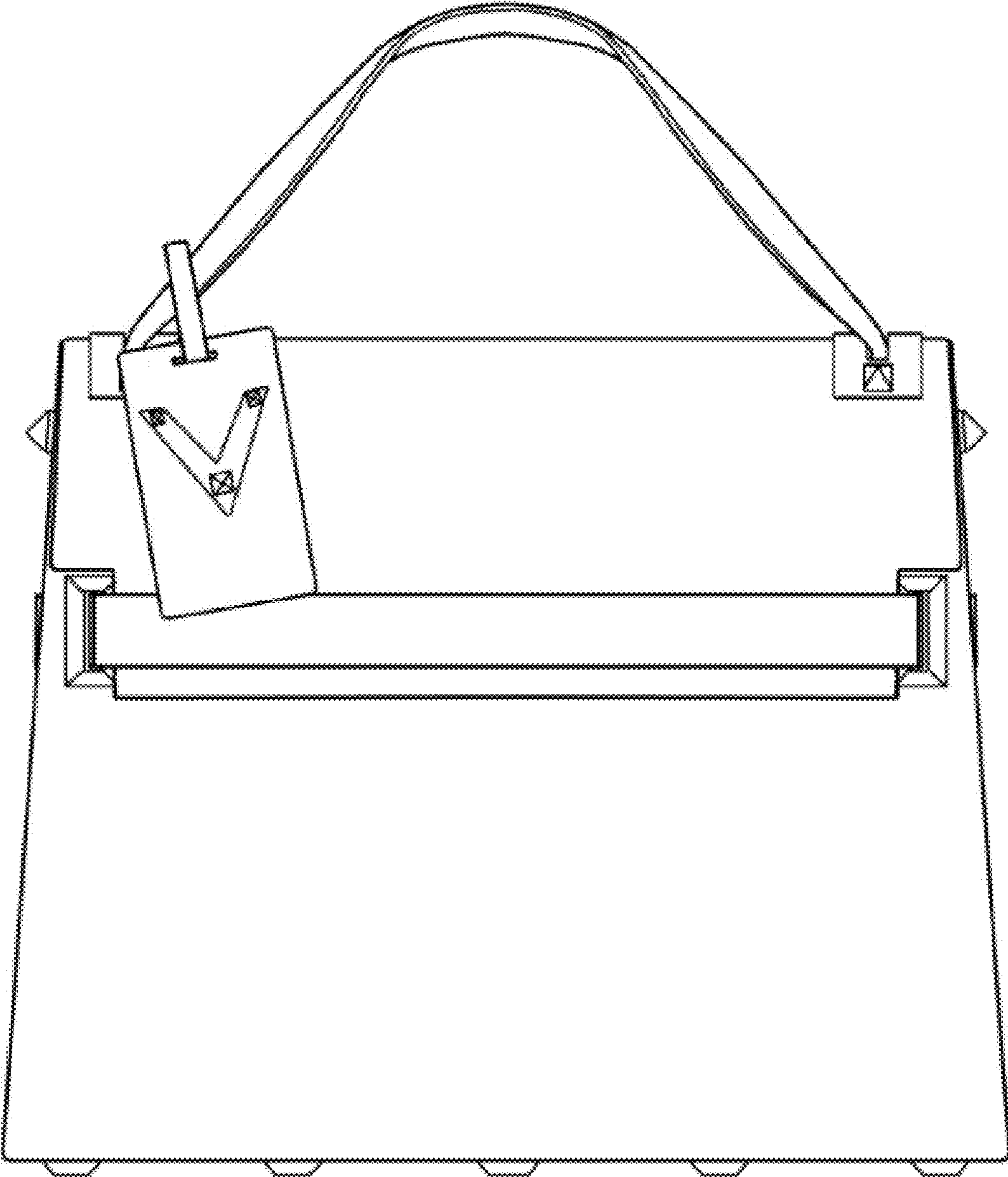


FIG. 2

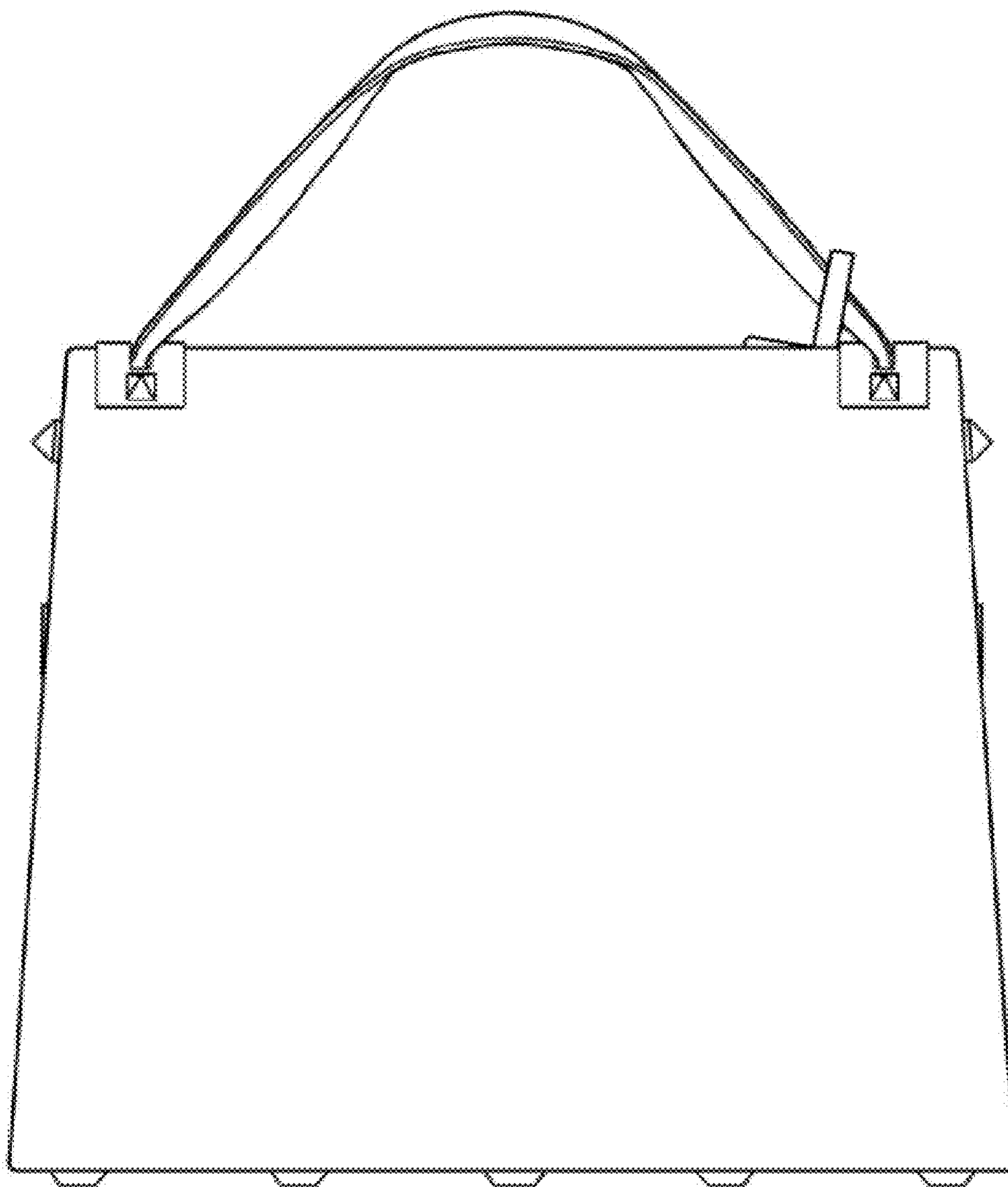


FIG. 3

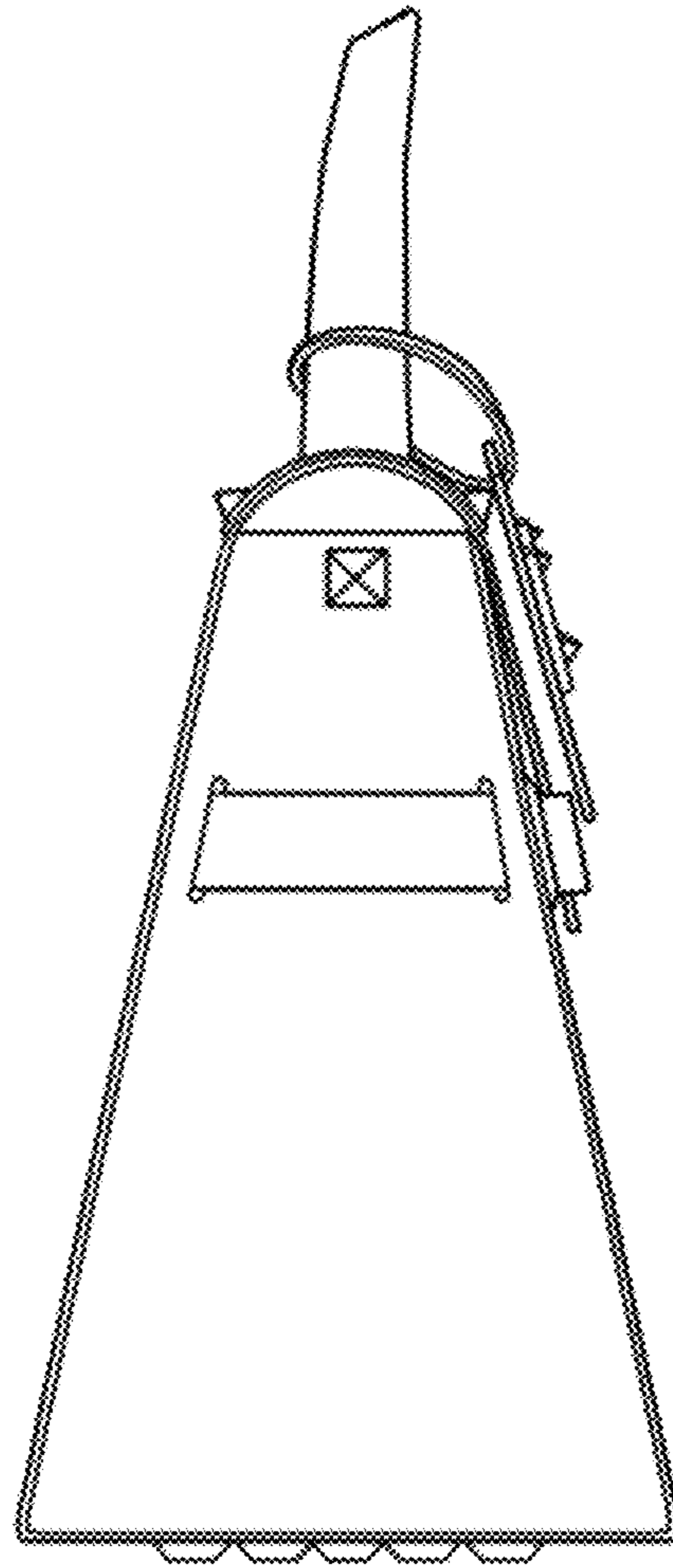


FIG. 4

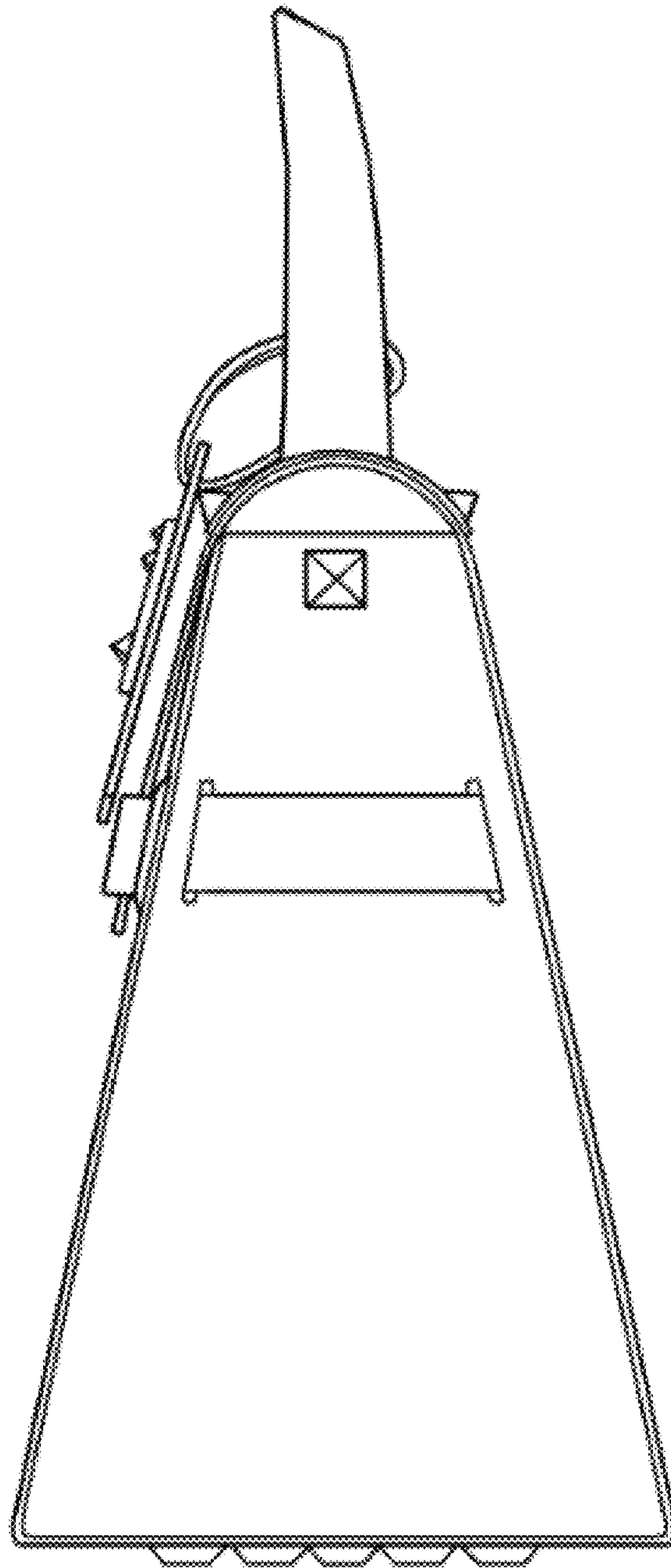


FIG. 5

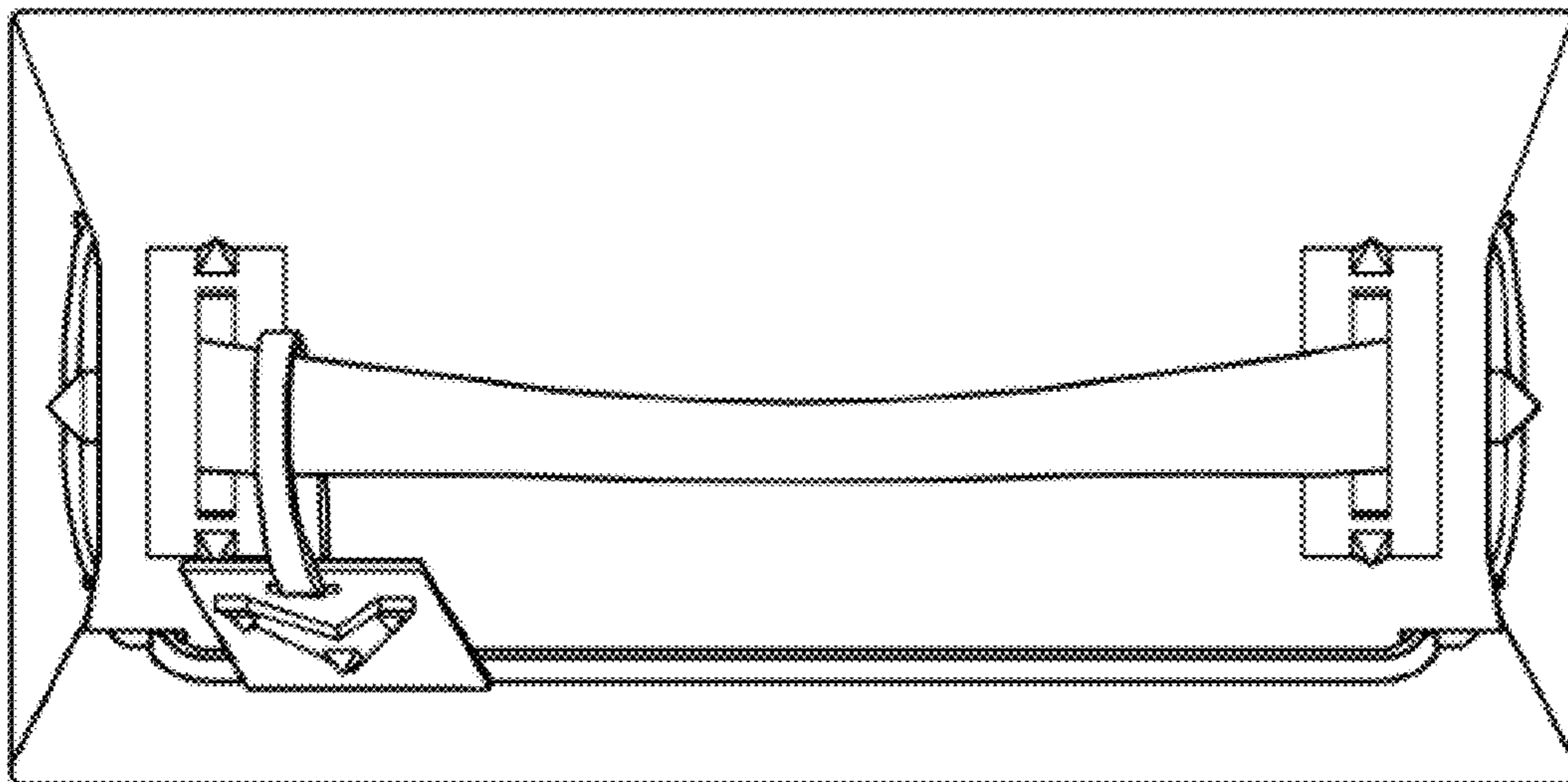


FIG. 6

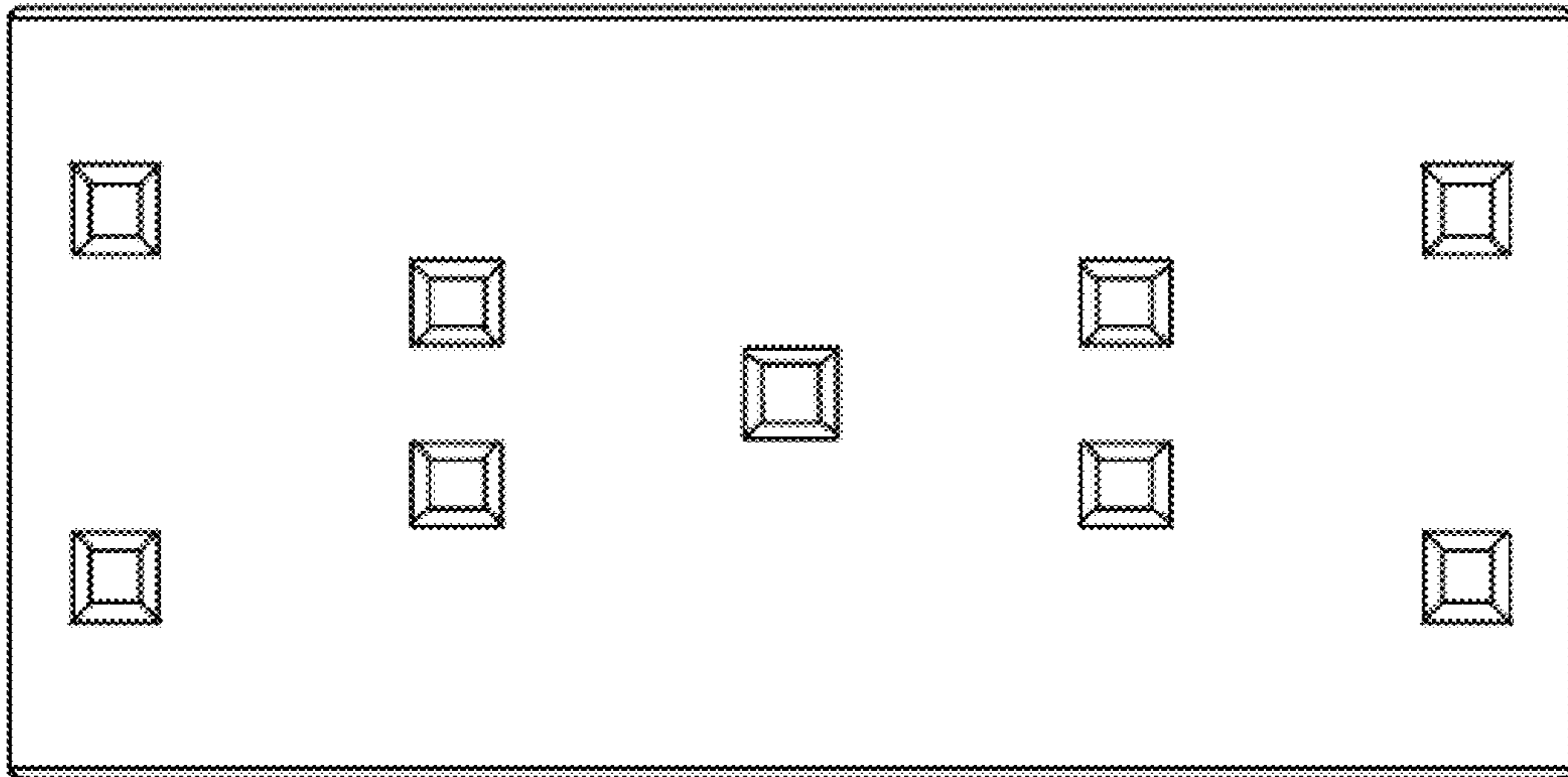


FIG. 7

UNITED STATES PATENT AND TRADEMARK OFFICE
CERTIFICATE OF CORRECTION

PATENT NO. : D776,923 S
APPLICATION NO. : 29/532694
DATED : January 24, 2017
INVENTOR(S) : Stefano Sassi

Page 1 of 1

It is certified that error appears in the above-identified patent and that said Letters Patent is hereby corrected as shown below:

On the Title Page

Item (30) Foreign Application Priority Data: change "MI2015O0003" to -- MI2015O000003 --.

Signed and Sealed this
Seventh Day of March, 2017



Michelle K. Lee
Director of the United States Patent and Trademark Office