



US00D776921S

(12) **United States Design Patent**
Bennetts

(10) **Patent No.:** **US D776,921 S**
(45) **Date of Patent:** **** Jan. 24, 2017**

(54) **BAG**
(71) Applicant: **Oi Oi Pty Ltd**, Malvern, Victoria (AU)
(72) Inventor: **Lisa Bennetts**, Malvern (AU)
(73) Assignee: **Oi Oi Pty Ltd**, Malvern (AU)
(**) Term: **14 Years**

D555,898 S *	11/2007	Morelli	D3/232
D559,541 S *	1/2008	Clark	D3/245
D572,469 S *	7/2008	Morelli	D3/232
D580,162 S *	11/2008	Crook	D3/232
D584,044 S *	1/2009	Morelli	D3/232
D585,193 S *	1/2009	Gonzalez	D3/245
D600,909 S *	9/2009	Crook	D3/232
D641,156 S *	7/2011	Maillet	D3/232
D646,058 S *	10/2011	Brusa	D3/287
2013/0140120 A1 *	6/2013	Rasmussen	A45C 7/009 190/109

(21) Appl. No.: **29/493,768**

* cited by examiner

(22) Filed: **Jun. 12, 2014**

Primary Examiner — Derrick Holland

Assistant Examiner — Jennifer O King

(30) **Foreign Application Priority Data**

Dec. 13, 2013 (AU) 16621/2013

(74) *Attorney, Agent, or Firm* — Christensen O'Connor

Johnson Kindness PLLC

(51) **LOC (10) Cl.** **03-01**

(52) **U.S. Cl.**
USPC **D3/232**

(57) **CLAIM**

The ornamental design for a “bag,” as shown and described.

(58) **Field of Classification Search**

USPC D3/232–233, 240–243, 245, 246, 318;
150/100, 103–110, 113, 114, 117–119

CPC A45C 1/024; A45C 3/06
See application file for complete search history.

DESCRIPTION

FIG. 1 is a perspective view of a bag;
FIG. 2 is a front view thereof;
FIG. 3 is a back view thereof, with the shoulder strap shown removed for ease of illustration;
FIG. 4 is an end view thereof, with the shoulder strap shown removed for ease of illustration;
FIG. 5 is a top view thereof with the shoulder strap shown removed for ease of illustration; and,
FIG. 6 is a bottom view thereof.

The broken lines shown represent unclaimed subject matter and form no part of the claimed design.

(56) **References Cited**

U.S. PATENT DOCUMENTS

3,955,609 A *	5/1976	Siegel	A45C 3/06 150/106
D280,866 S *	10/1985	Bomes	D3/287
D326,772 S *	6/1992	Kennedy	D3/233
D419,763 S *	2/2000	Wiebe	D3/232
D439,409 S *	3/2001	Williams	D3/283
D522,238 S *	6/2006	Stulman	D3/243
D526,484 S *	8/2006	Flint	D3/283

1 Claim, 6 Drawing Sheets





Figure 1



Figure 2

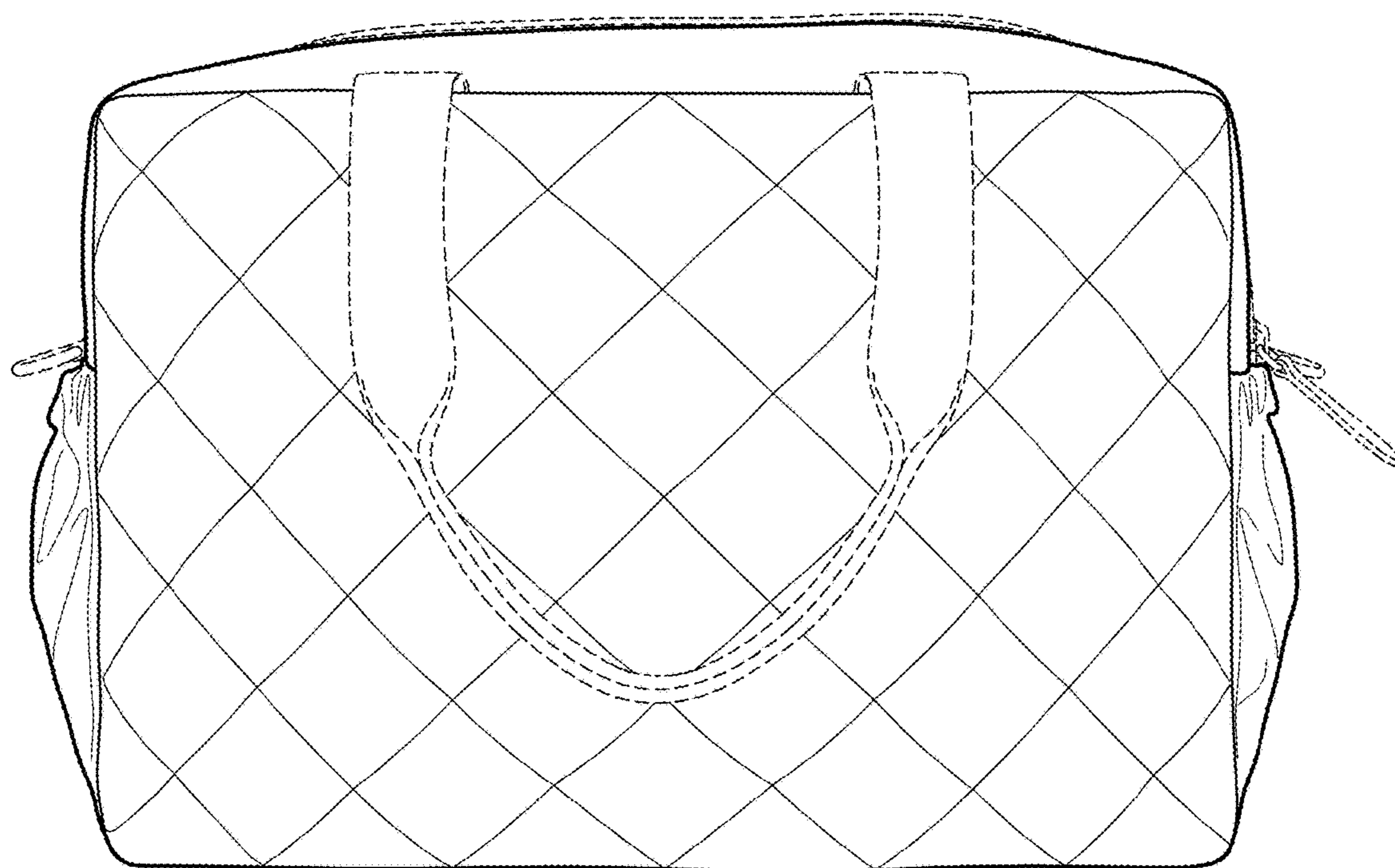


Figure 3

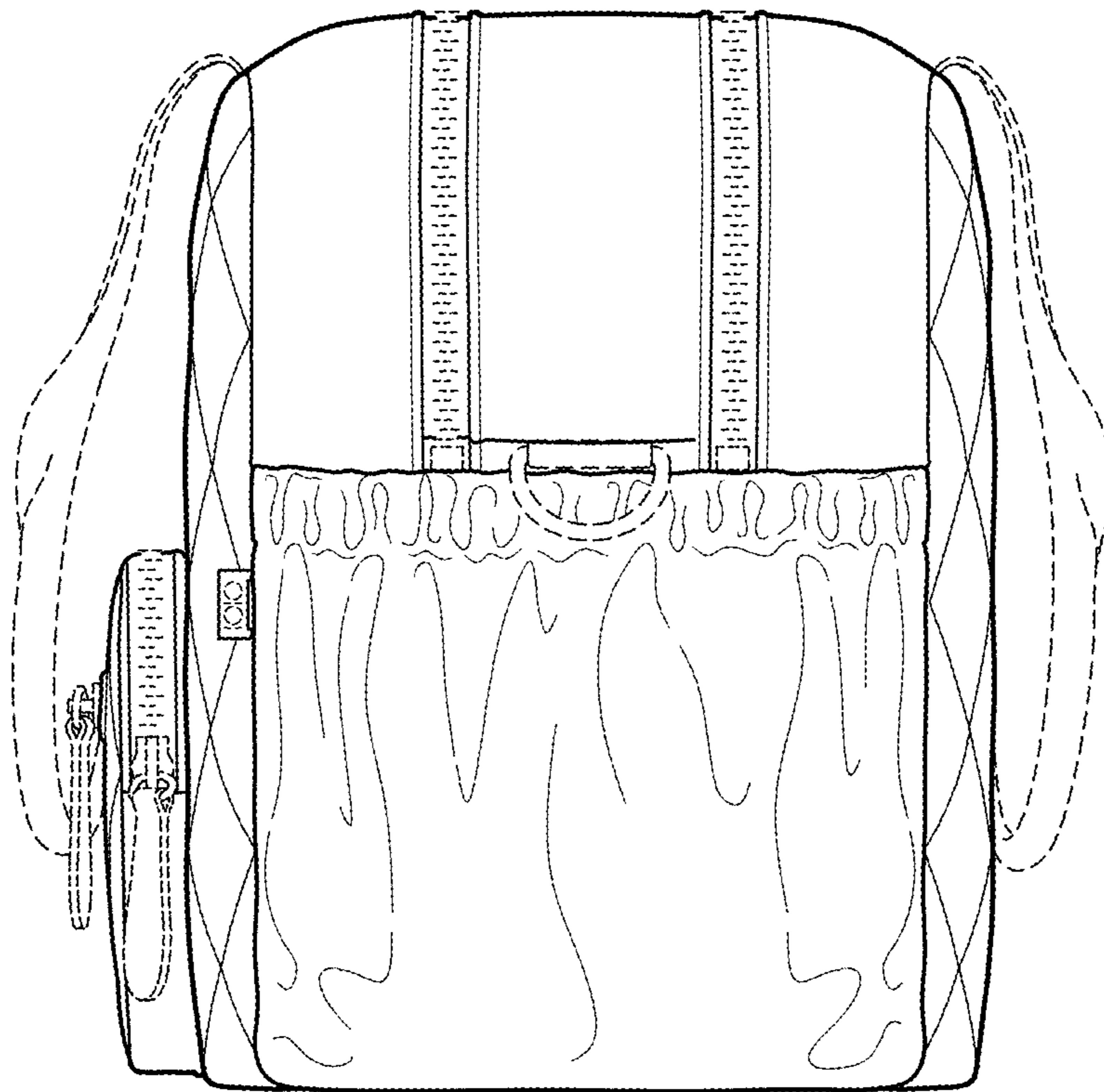


Figure 4

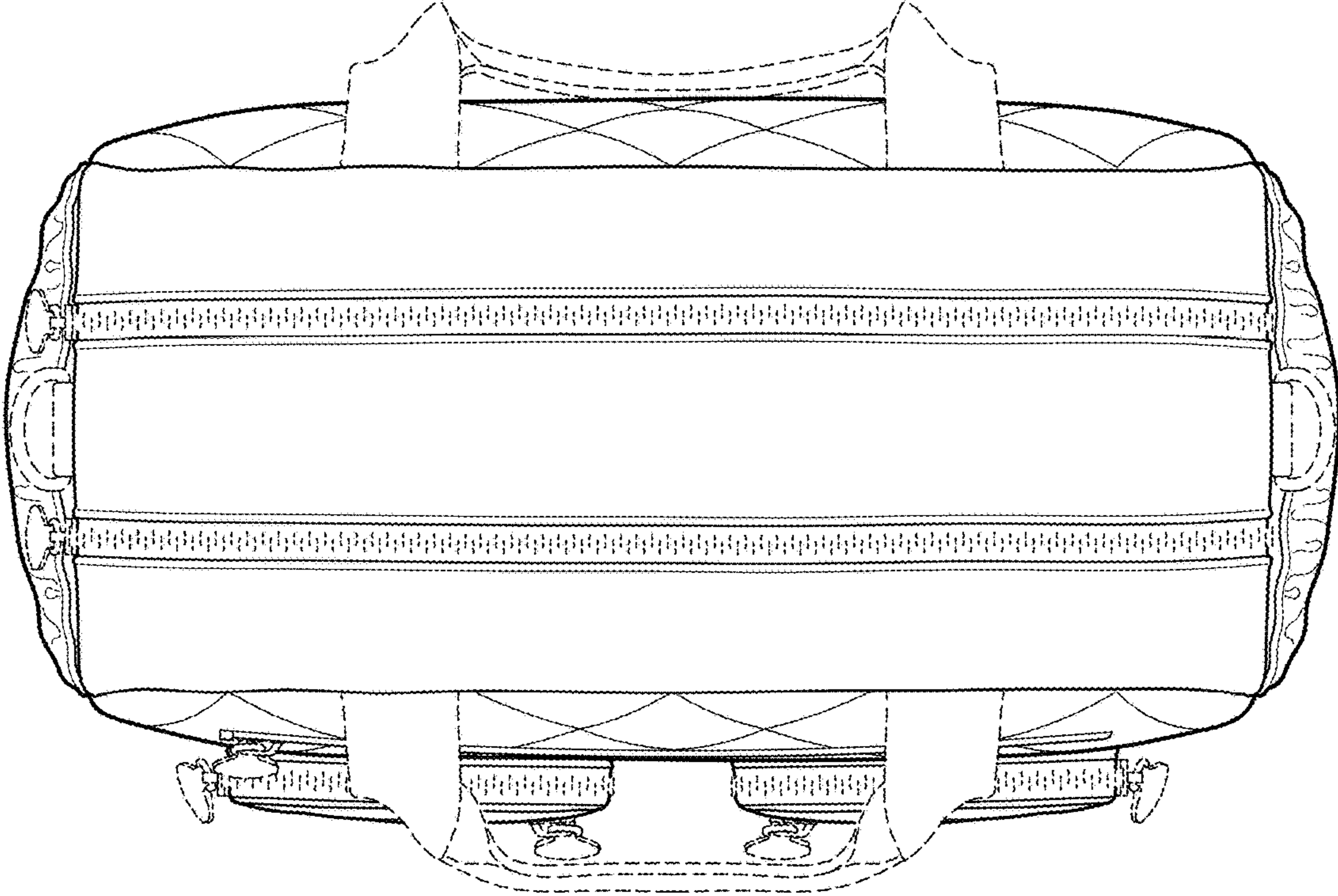


Figure 5

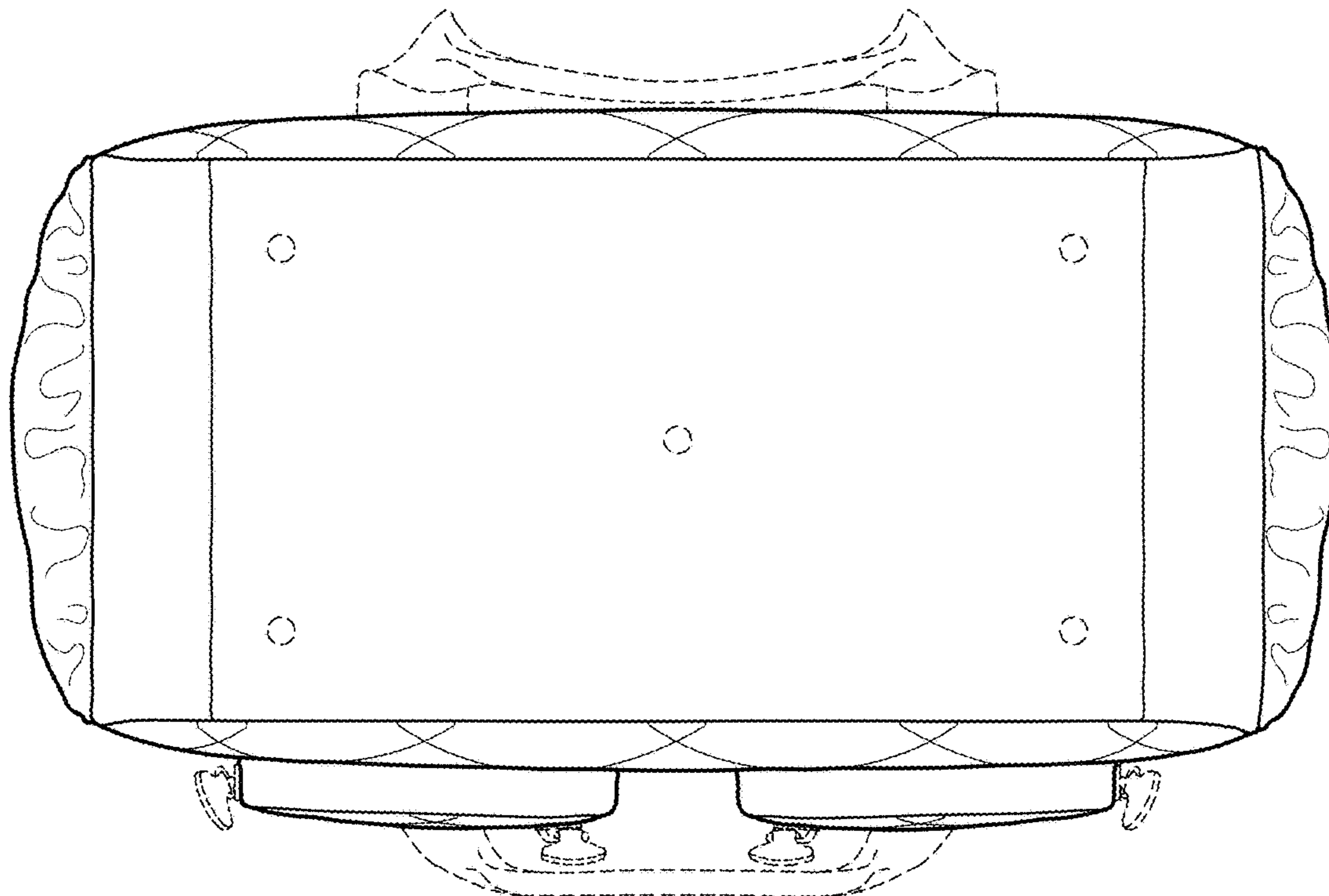


Figure 6