



US00D776919S

(12) **United States Design Patent** (10) **Patent No.:** **US D776,919 S**
Tate (45) **Date of Patent:** **** Jan. 24, 2017**

(54) **TOP POINT AND SIDE RAIL HOLSTER**

(71) Applicant: **Mathew Tate**, Rogers, AR (US)

(72) Inventor: **Mathew Tate**, Rogers, AR (US)

(**) Term: **15 Years**

(21) Appl. No.: **29/543,907**

(22) Filed: **Oct. 29, 2015**

(51) **LOC (10) Cl.** **03-01**

(52) **U.S. Cl.**
USPC **D3/222**

(58) **Field of Classification Search**
USPC D22/222–223; 224/191–193, 197–198,
224/238, 243, 911–912; 42/94
CPC A45F 5/021; F41C 33/001; F41C 33/002;
F41C 33/003; F41C 33/0236
See application file for complete search history.

(56) **References Cited**

U.S. PATENT DOCUMENTS

D501,991 S	*	2/2005	Cook	D3/222
D512,561 S	*	12/2005	Cook	D3/222
D537,246 S	*	2/2007	Carver	D3/222
D543,353 S	*	5/2007	Carver	D3/222
D603,159 S	*	11/2009	Zusman	D3/222

D723,796 S * 3/2015 Resca D3/222

* cited by examiner

Primary Examiner — Catheri Oliver-Garcia

(74) *Attorney, Agent, or Firm* — Keisling & Pieper PLC;
David B. Pieper

(57) **CLAIM**

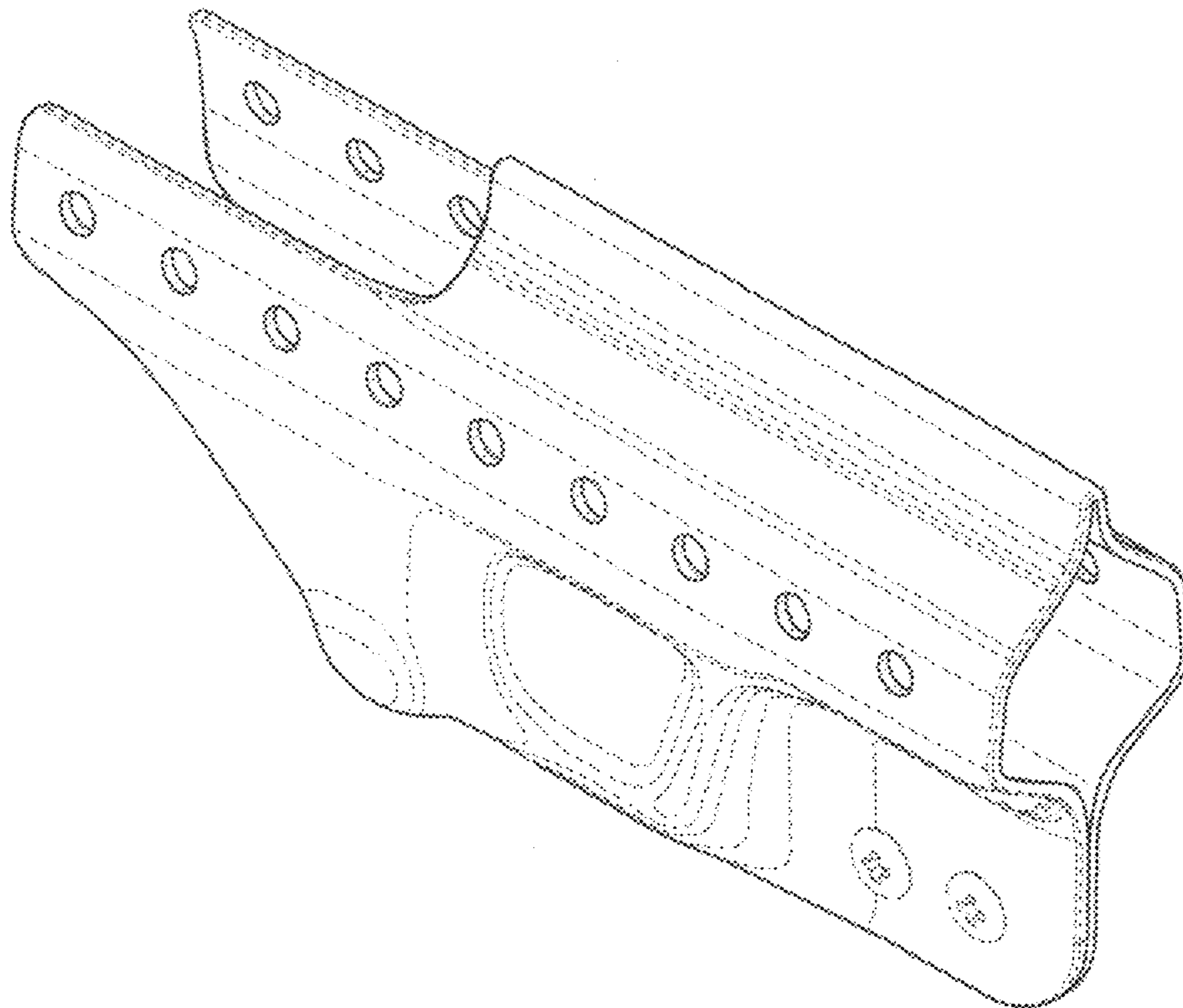
The ornamental design for a top point and side rail holster, as shown and described.

DESCRIPTION

FIG. 1 is a top perspective view of a top point and side rail holster showing my new design;
FIG. 2 is a bottom perspective view thereof;
FIG. 3 is a top view thereof;
FIG. 4 is a right side view thereof, the left side view being a mirror image thereof;
FIG. 5 is a bottom view thereof;
FIG. 6 is a rear view thereof;
FIG. 7 is a front view thereof;
FIG. 8 is a right side perspective environmental view thereof showing the holster mounted to a base; and,
FIG. 9 is a left side perspective environmental view of the mounting of FIG. 8.

The broken lines depict environment and are for illustrative purposes only and form no part of the claimed design.

1 Claim, 5 Drawing Sheets



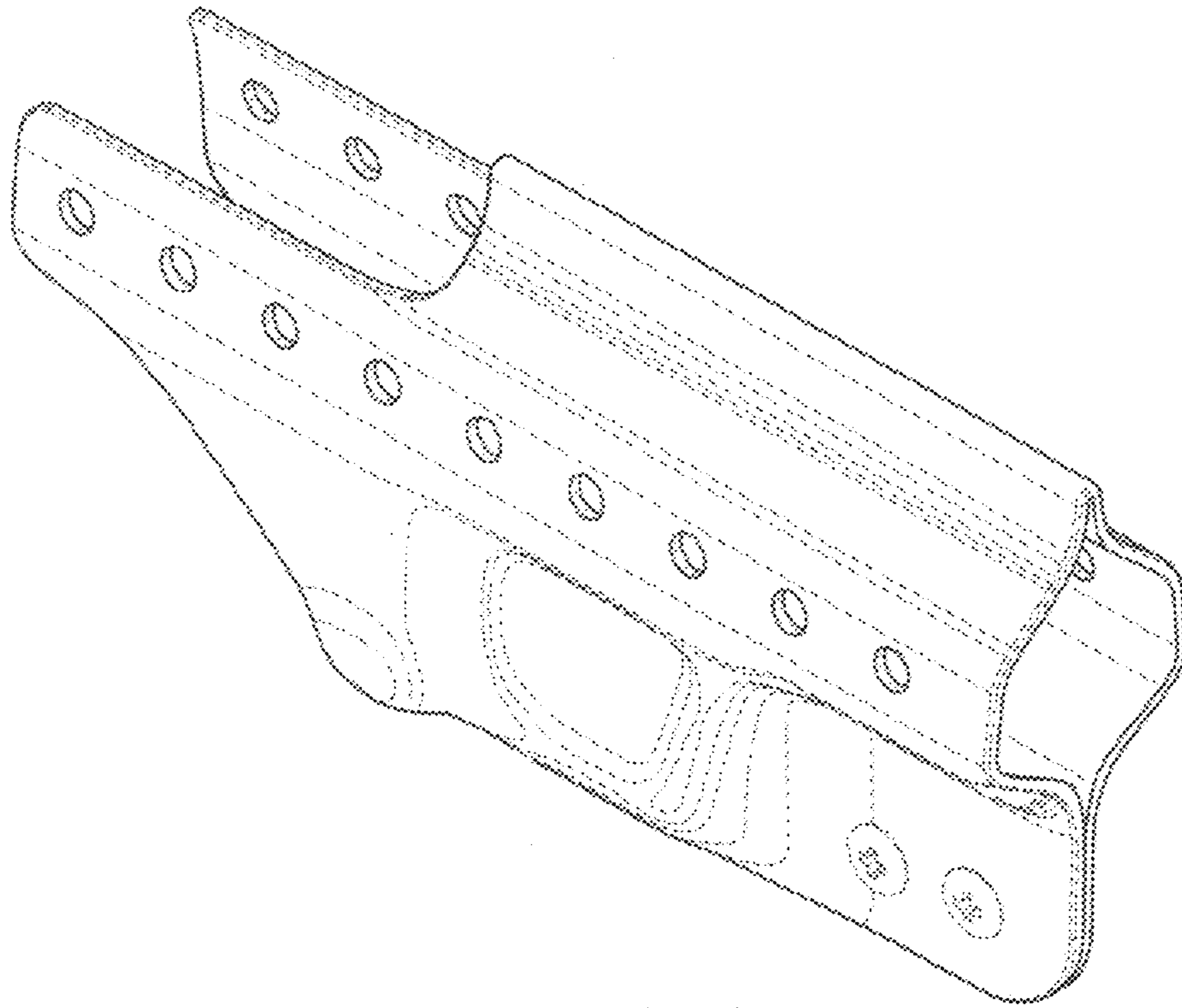


FIG. 1

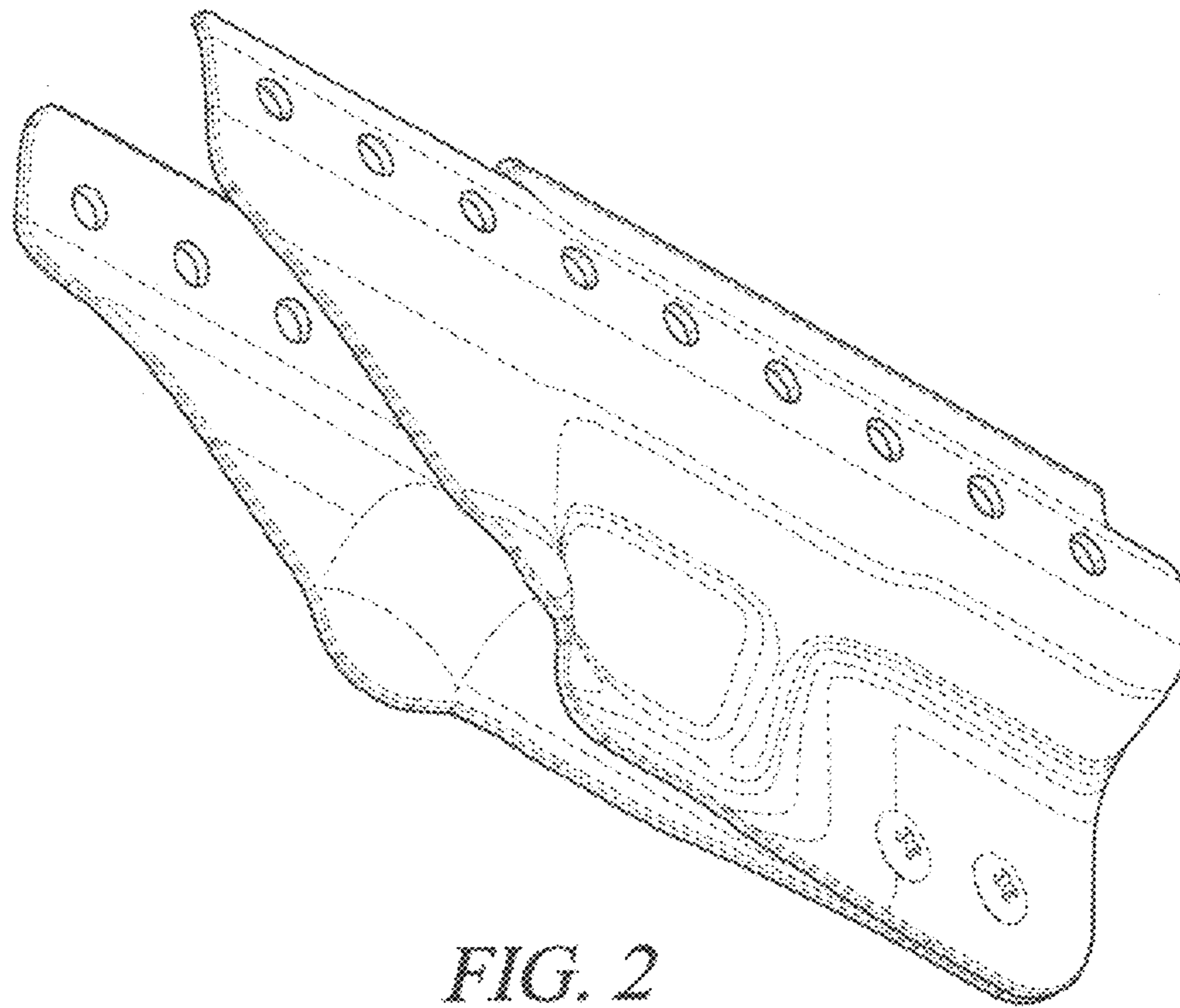


FIG. 2

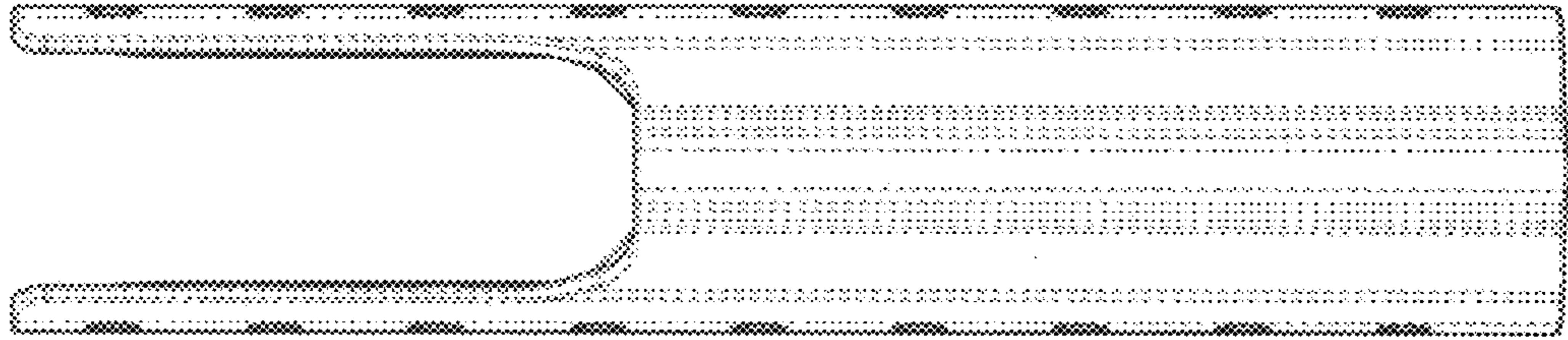


FIG. 3

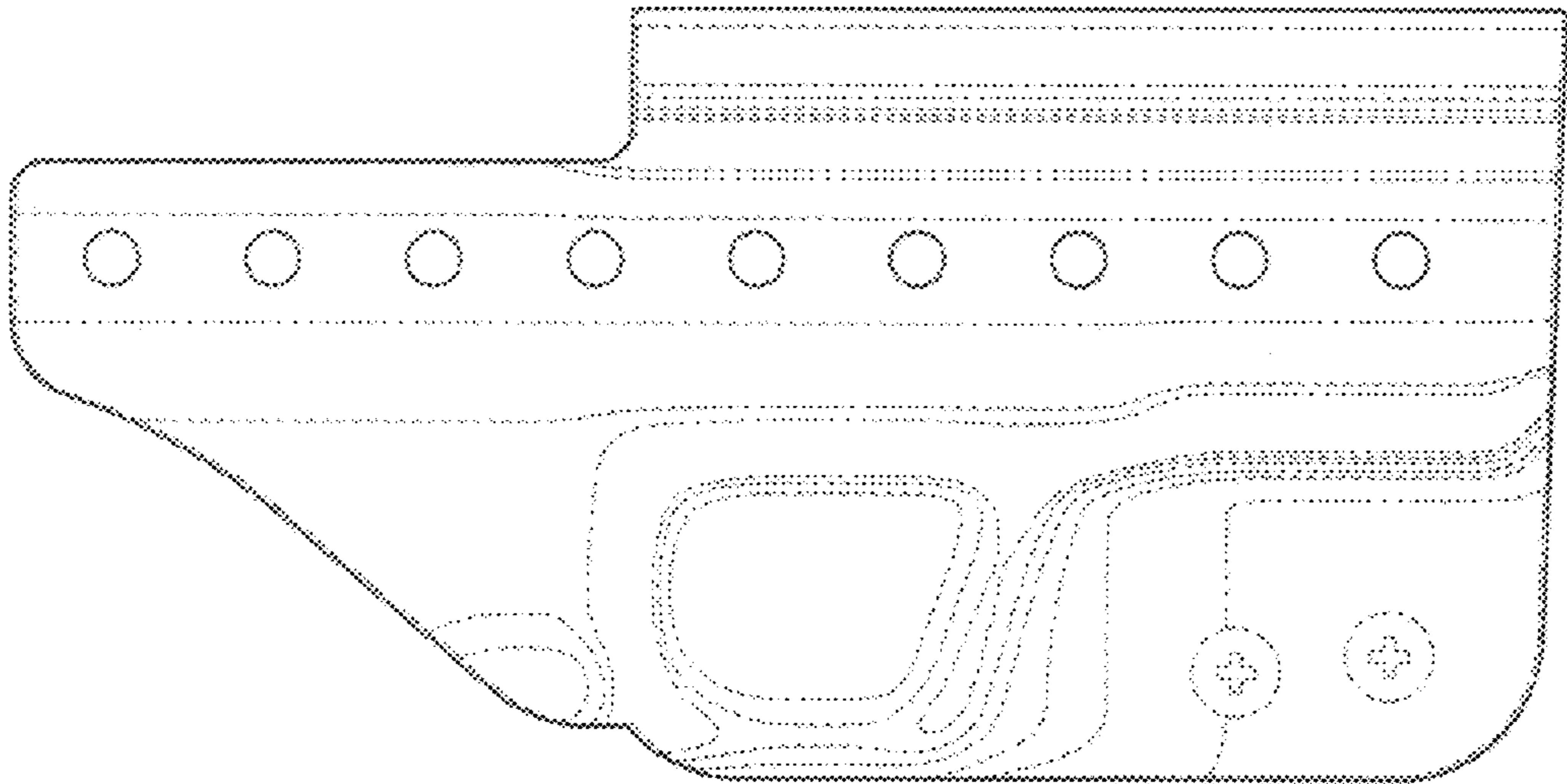


FIG. 4

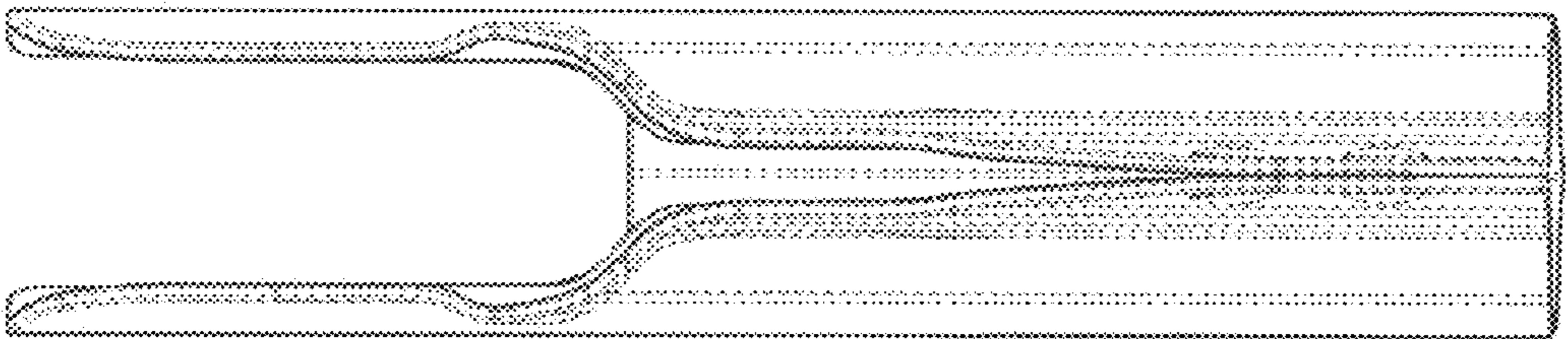


FIG. 5

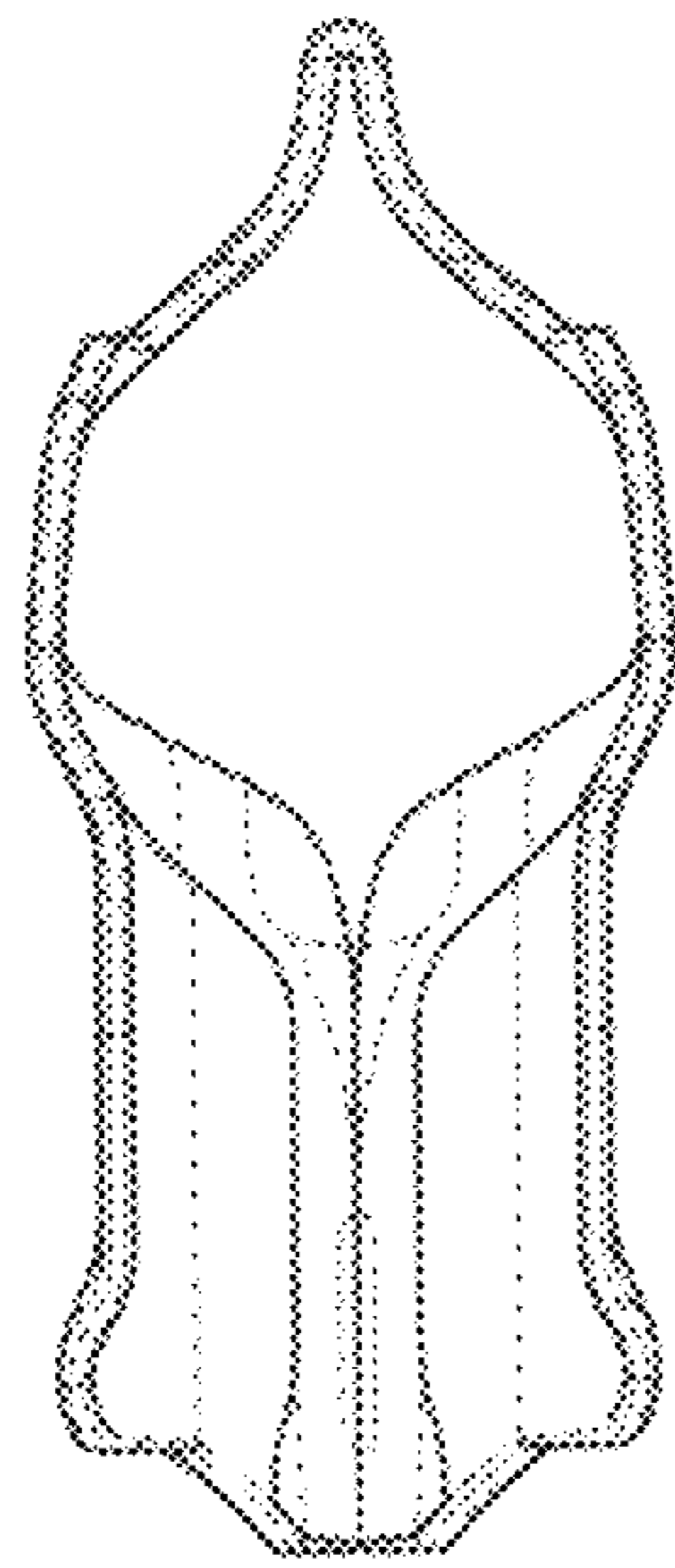


FIG. 6

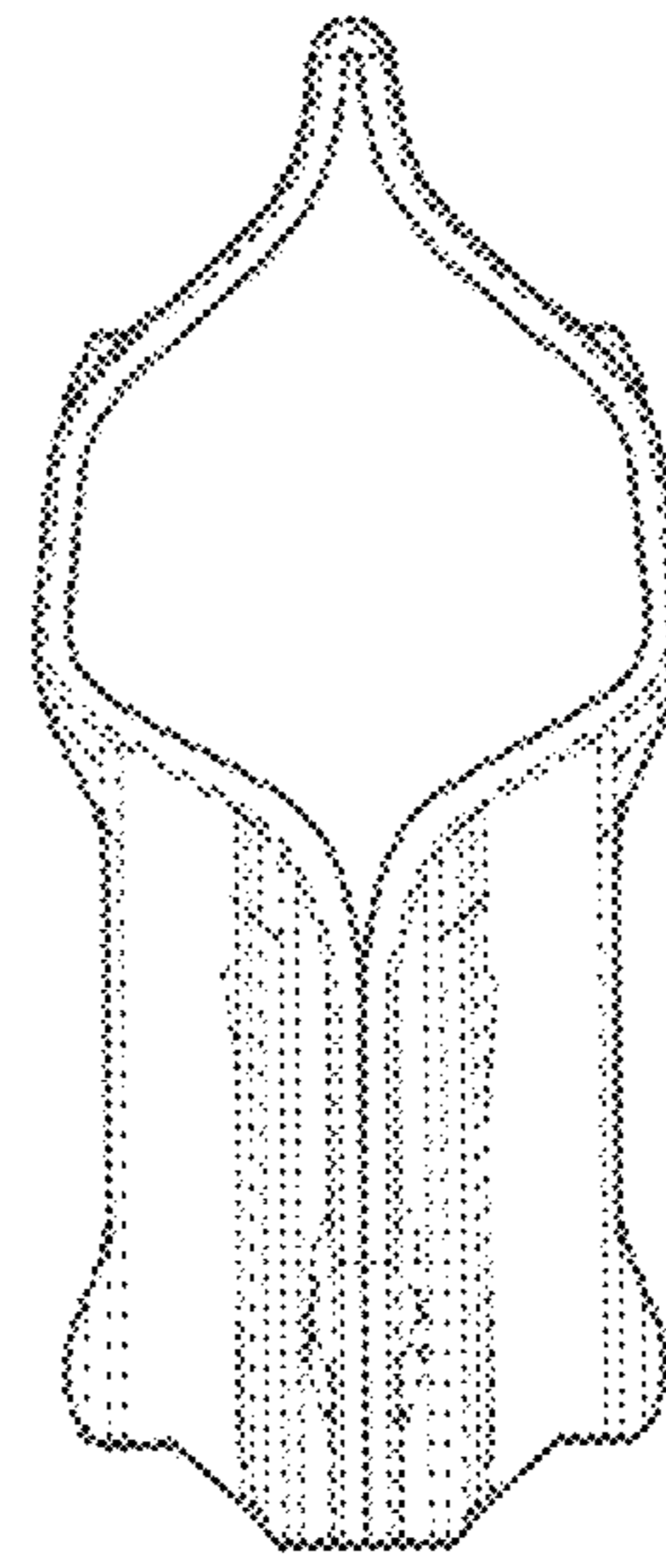


FIG. 7

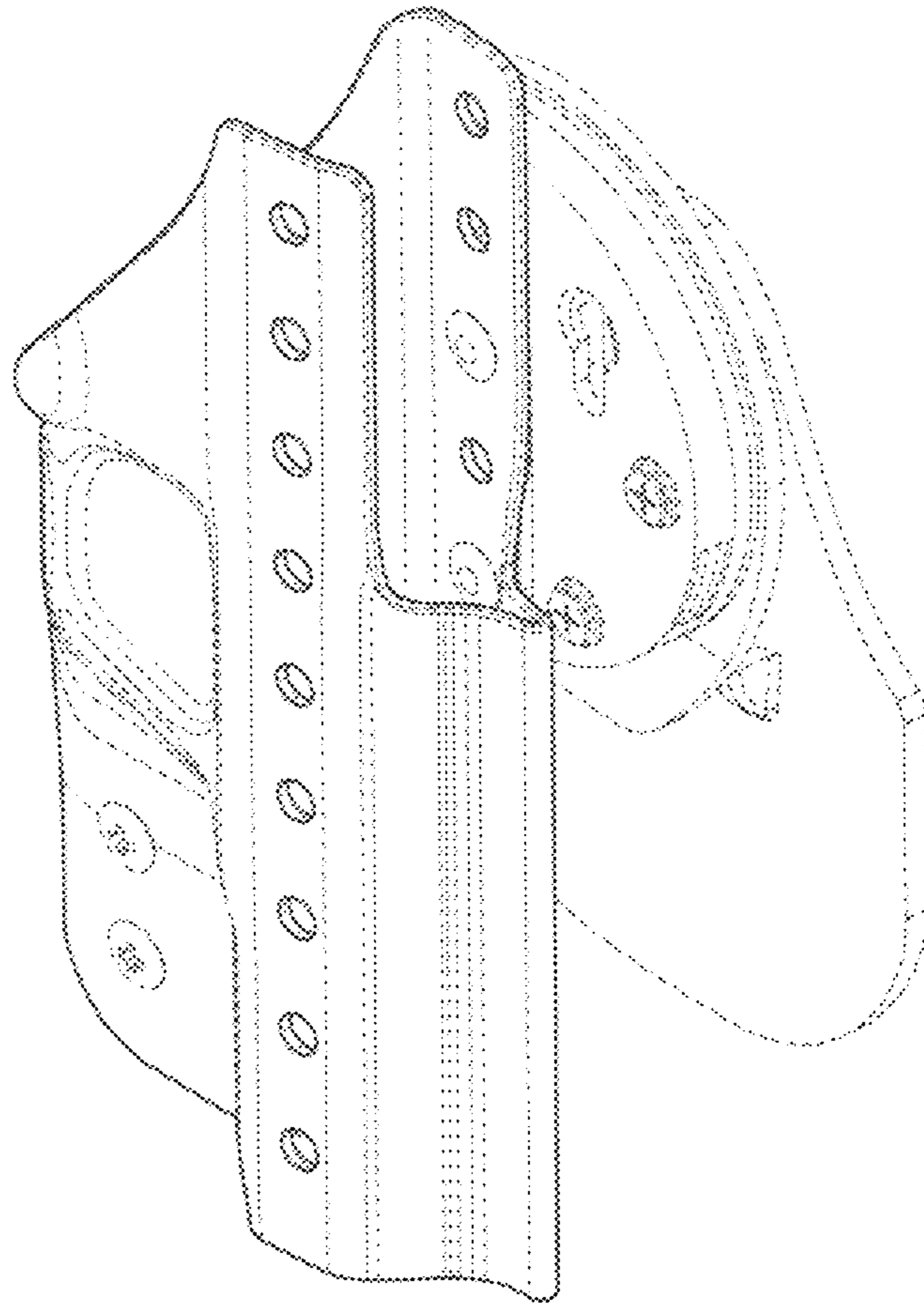


FIG. 8

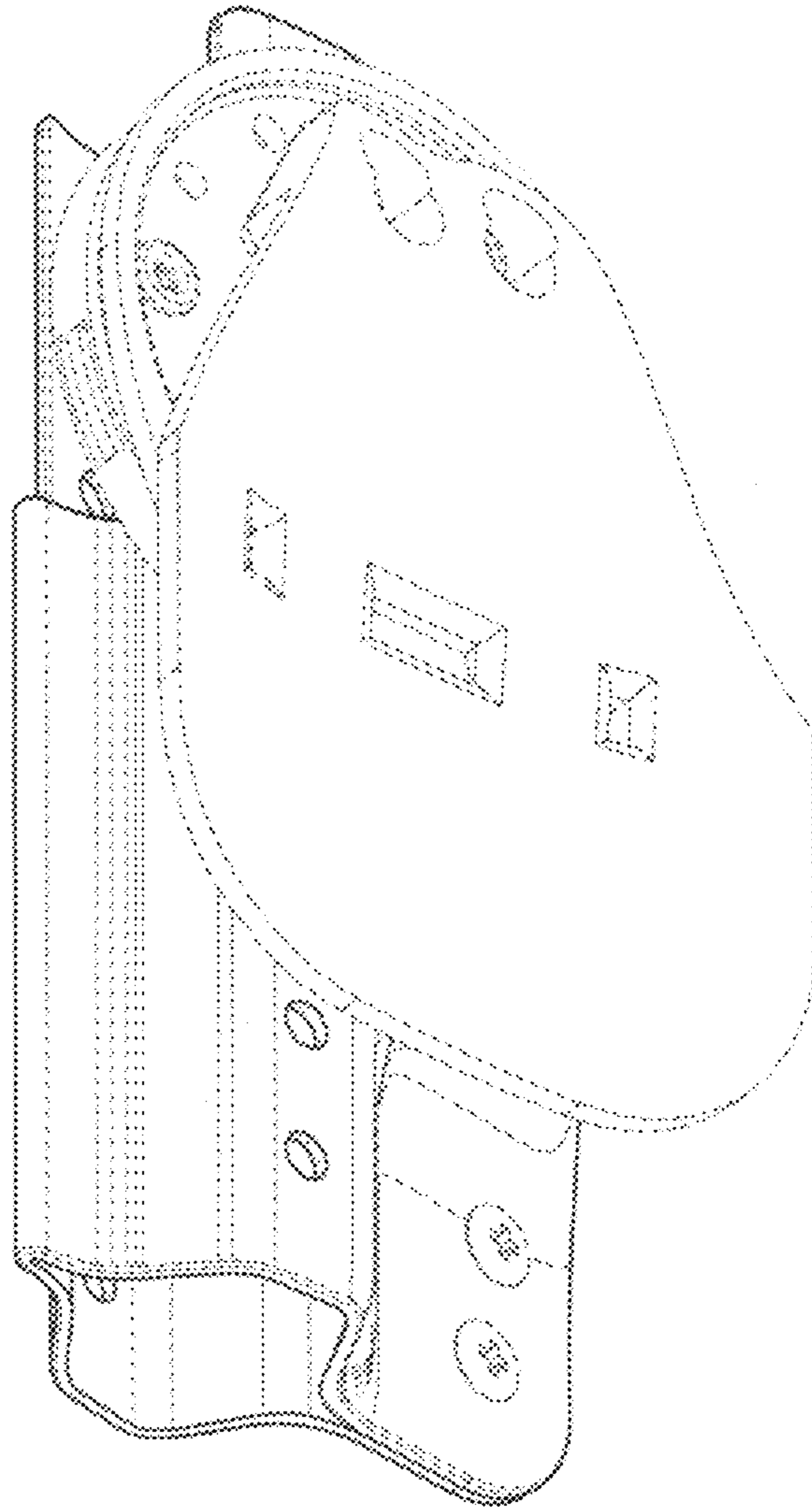


FIG. 9