



US00D776915S

(12) **United States Design Patent**
Wierenga et al.

(10) **Patent No.:** **US D776,915 S**
(45) **Date of Patent:** **** Jan. 24, 2017**

- (54) **CLIP CASE**
- (71) Applicant: **Griffin Technology, Inc.**, Nashville, TN (US)
- (72) Inventors: **Aaron Wierenga**, Nashville, TN (US); **Brittany L. Stewart**, Nashville, TN (US)
- (73) Assignee: **Griffin Technology, Inc.**, Nashville, TN (US)
- (**) Term: **15 Years**
- (21) Appl. No.: **29/530,625**
- (22) Filed: **Jun. 18, 2015**
- (51) **LOC (10) Cl.** **03-01**
- (52) **U.S. Cl.**
USPC **D3/215**
- (58) **Field of Classification Search**
USPC D3/215, 219, 221, 224, 226; 224/236, 224/240-241, 245, 269, 675-676, 918
CPC A45F 5/00; A45F 5/02; A63B 57/00
See application file for complete search history.

- 2,940,651 A * 6/1960 Wilson A63B 57/00 224/236
- D232,259 S * 7/1974 Brown D3/219
- D251,037 S * 2/1979 Cudahy, III 224/918
- D706,531 S * 6/2014 Park D3/215
- D707,041 S * 6/2014 Park D3/215

* cited by examiner

Primary Examiner — Catheri Oliver-Garcia

(74) *Attorney, Agent, or Firm* — Hornkohl Intellectual Property Law, PLLC; Jason L. Hornkohl

(57) **CLAIM**

The ornamental design for a clip case, as shown and described.

DESCRIPTION

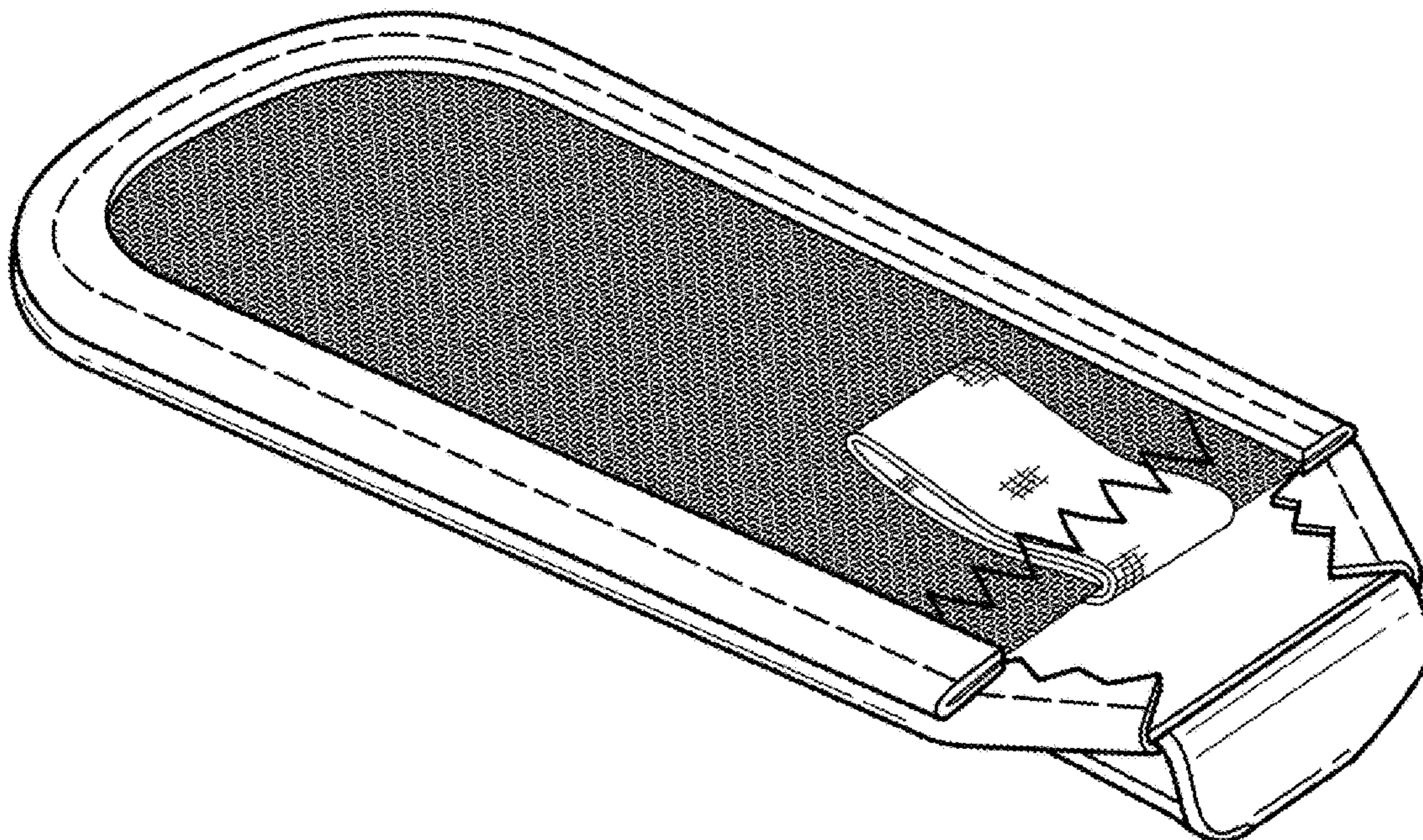
FIG. 1 is a perspective view of the new design for a clip case; FIG. 2 is a front view of the clip case; FIG. 3 is a top view of the clip case; FIG. 4 is a bottom view of the clip case; FIG. 5 is a right side view, the left side view being a mirror image thereof; FIG. 6 is a rear view of the clip case; and, FIG. 7 is an enlarged view from FIG. 2 showing the mesh. The dashed lines depict environment and are for illustrative purposes only and form no part of the claimed design.

1 Claim, 2 Drawing Sheets

(56) **References Cited**

U.S. PATENT DOCUMENTS

- D178,902 S * 10/1956 Relman D3/226
- D187,632 S * 4/1960 Pickett D3/220



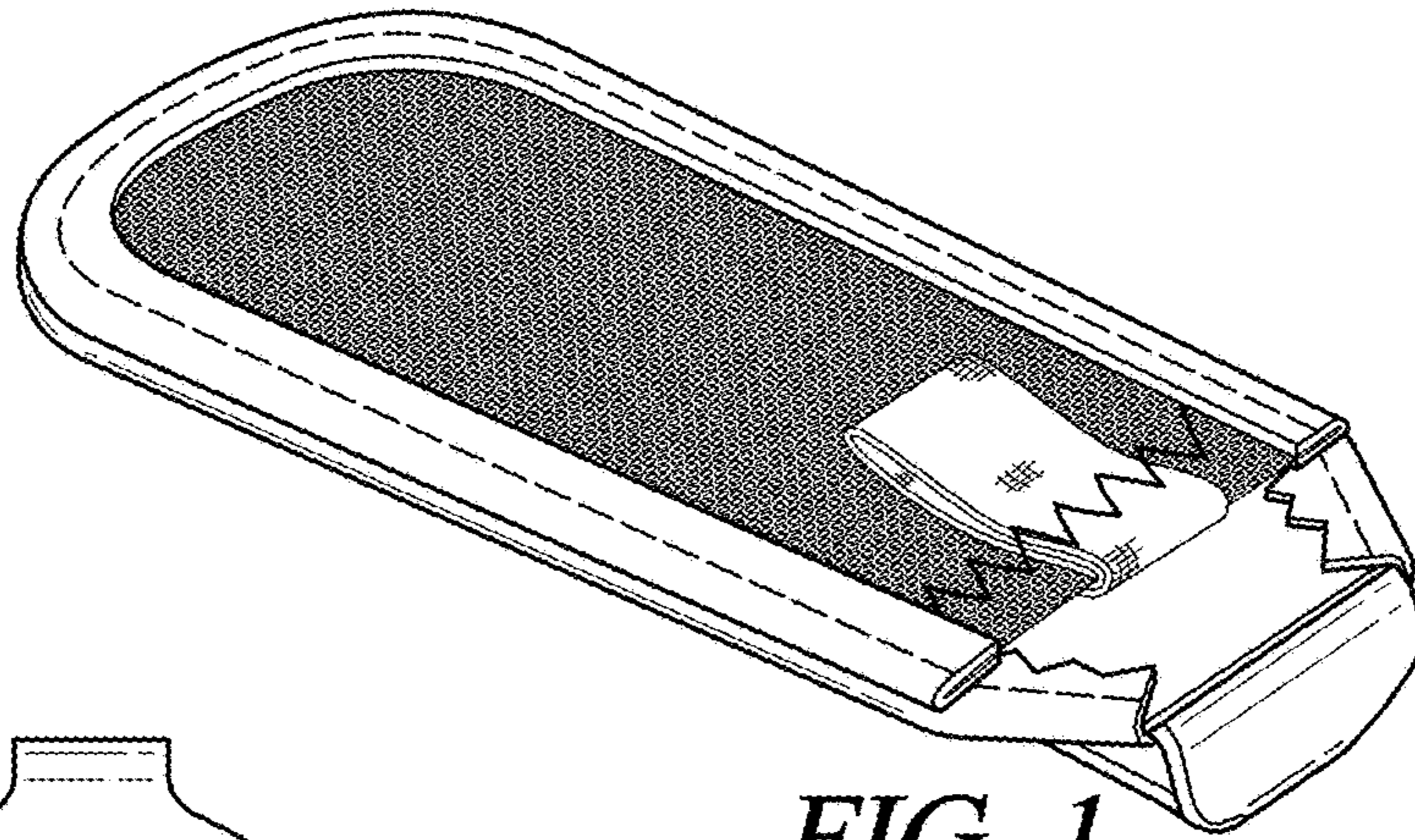


FIG. 1

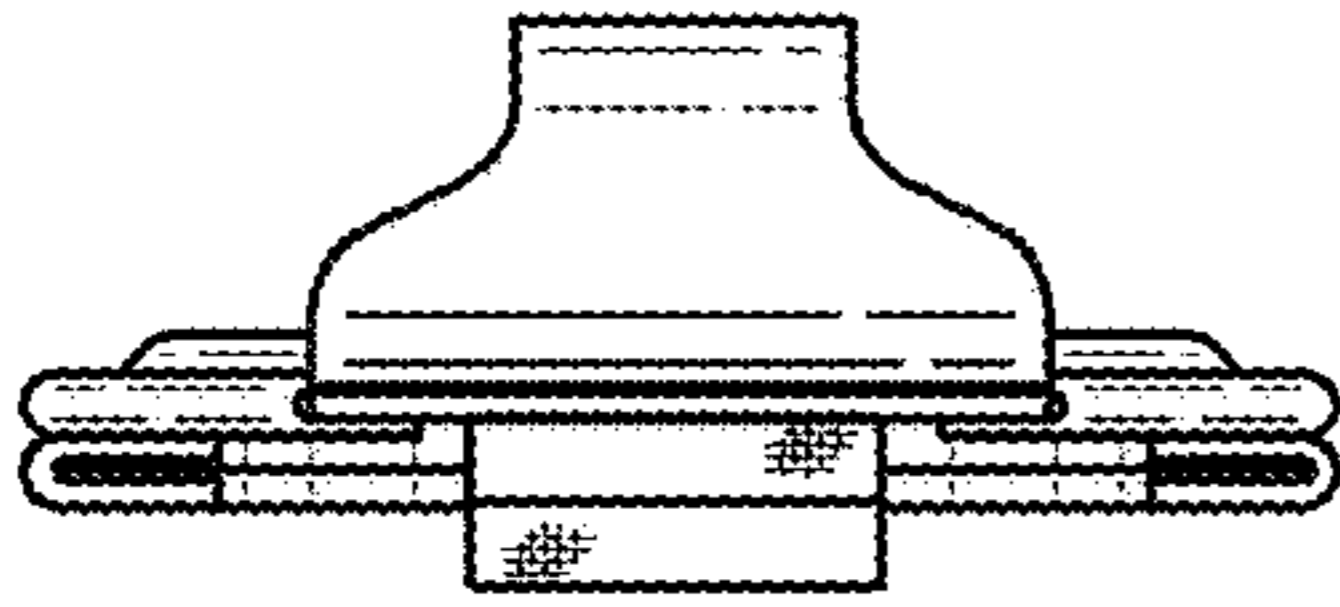
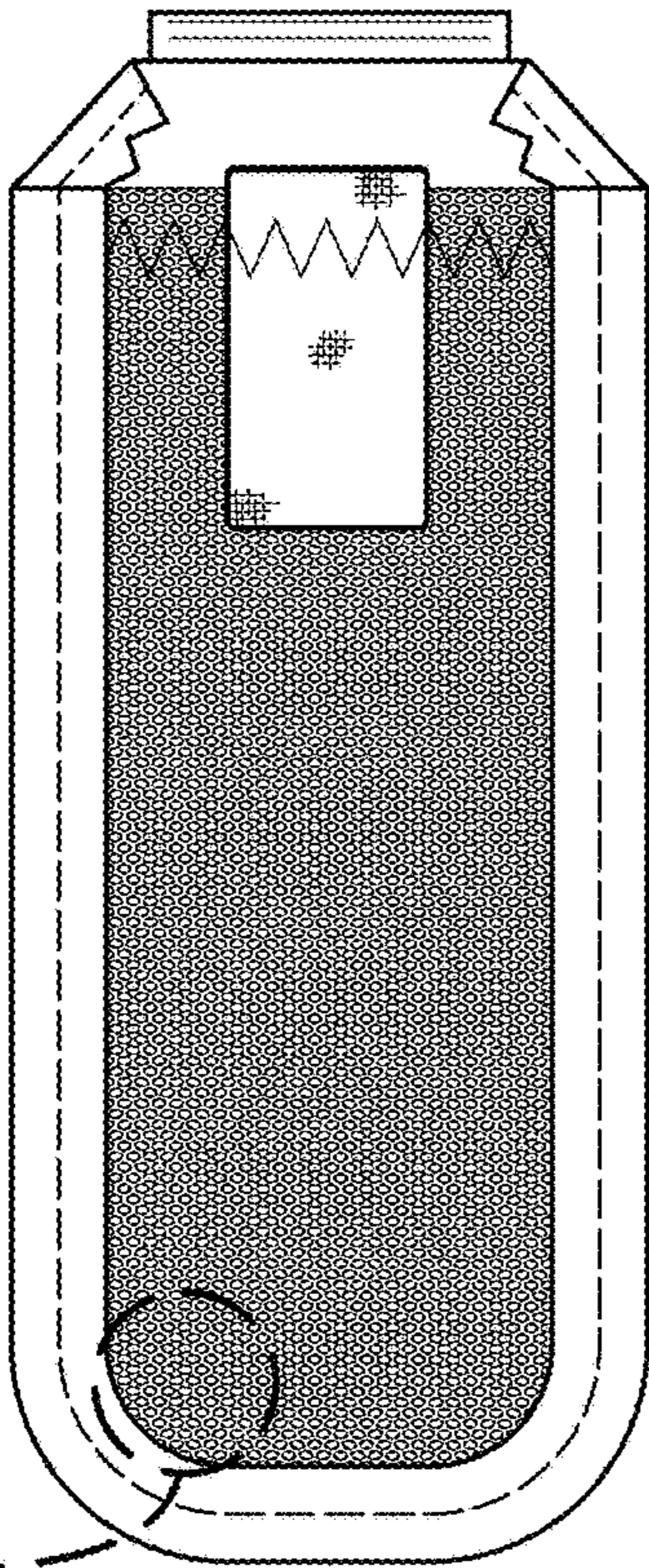


FIG. 3



7

FIG. 2

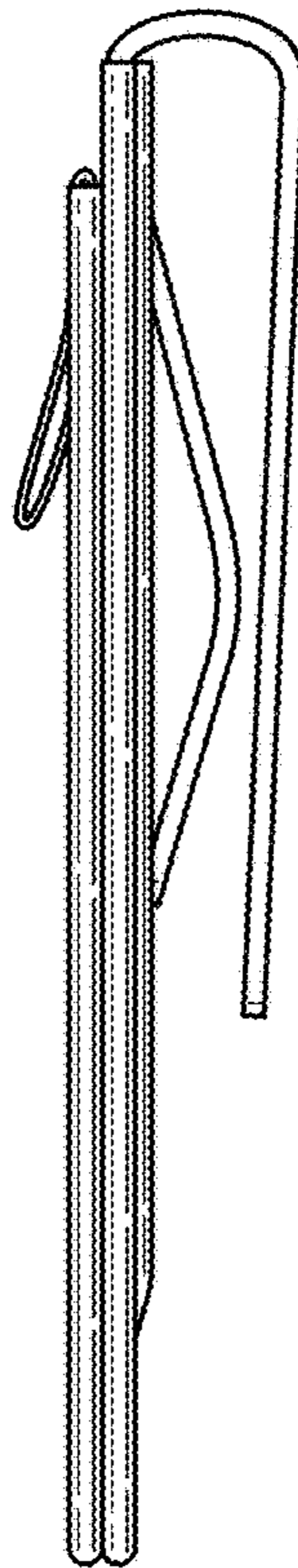


FIG. 5

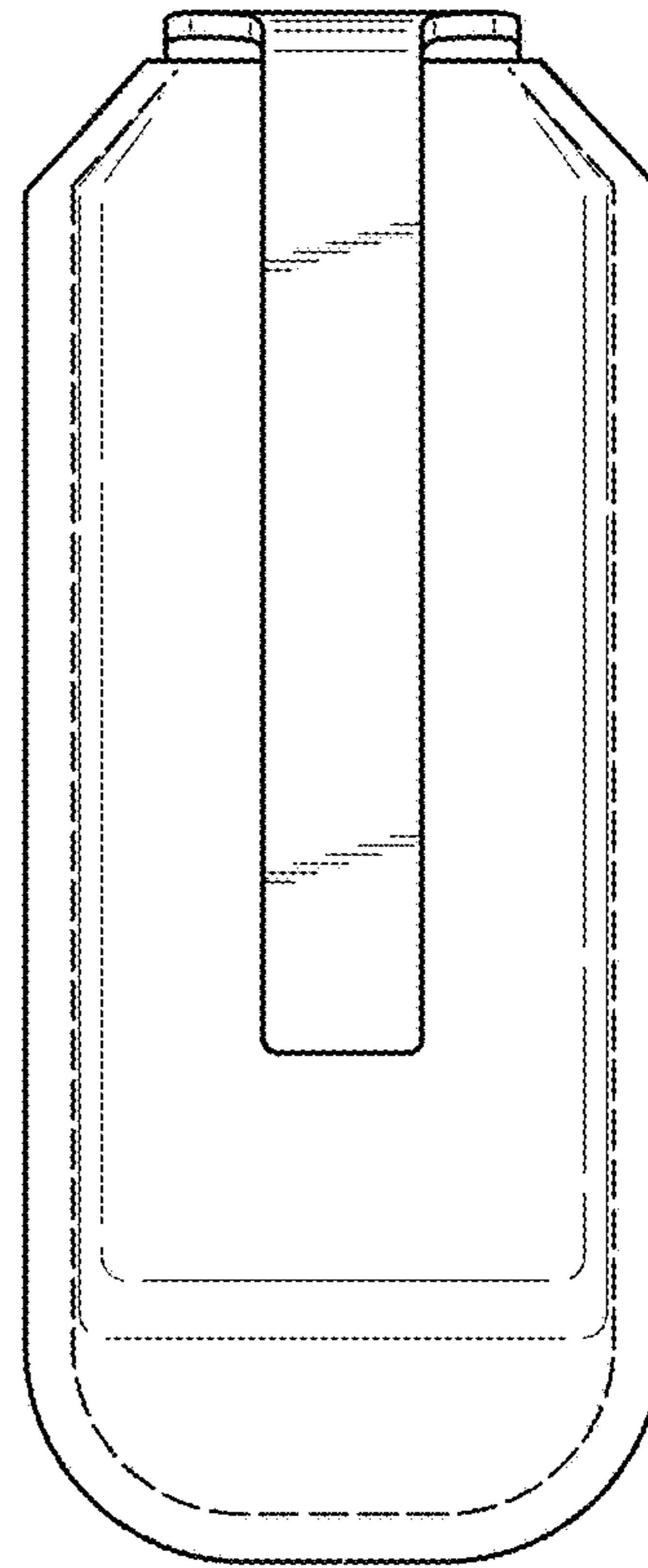


FIG. 6

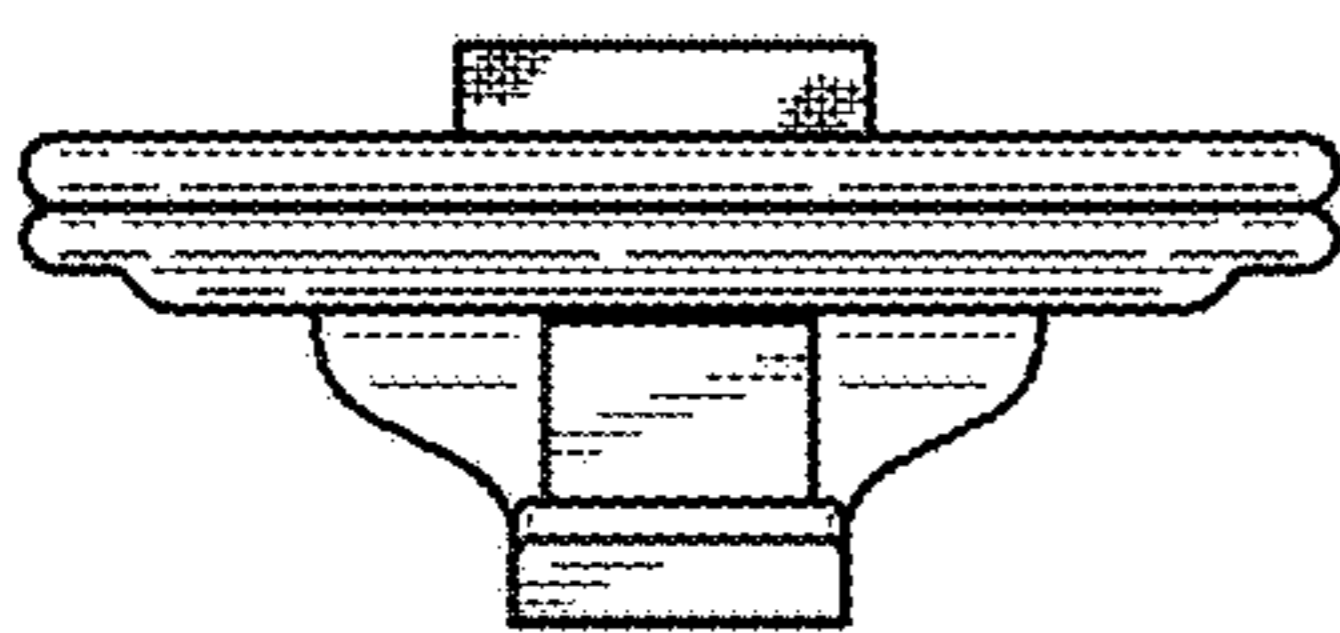


FIG. 4

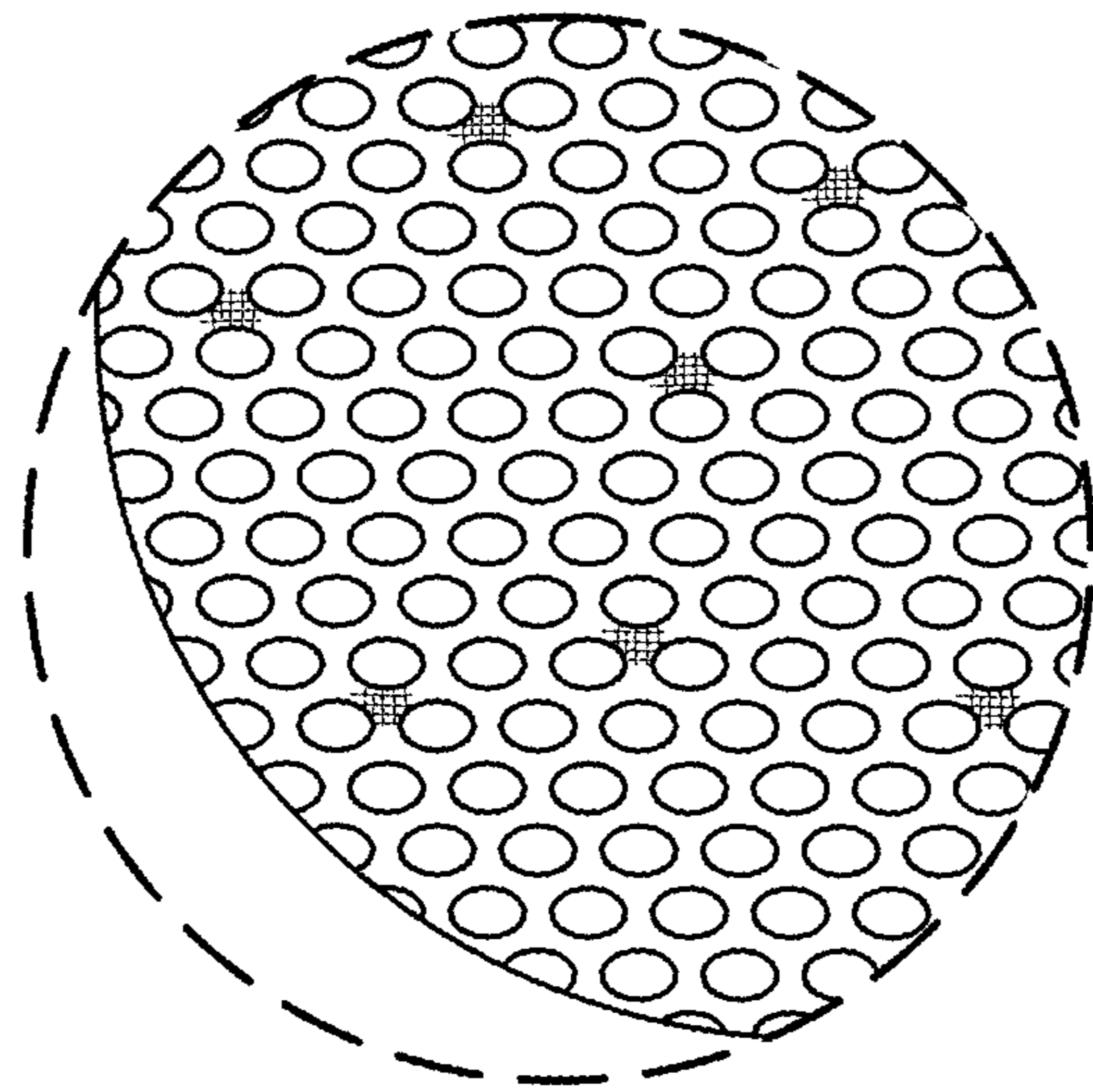


FIG. 7