



US00D776914S

(12) **United States Design Patent**
Nelson

(10) **Patent No.: US D776,914 S**
(45) **Date of Patent: ** Jan. 24, 2017**

(54) **CONTAINER**

FOREIGN PATENT DOCUMENTS

(71) Applicant: **Bruce W. Nelson**, La Jolla, CA (US)

CN 203038487 U 7/2013

(72) Inventor: **Bruce W. Nelson**, La Jolla, CA (US)

OTHER PUBLICATIONS

(**) Term: **14 Years**

Fabien Barral, Wood Letters, <http://www.graphic-exchange.com/direct/mrcup-woodhelvetica-all.html>, available online Oct. 23, 2012 (retrieved Sep. 9, 2016).*

(21) Appl. No.: **29/516,770**

Craker, "Think Outside The Box Jewelry Case", http://www.cafepress.com/+ginuwine+keepsake_boxes, accessed on Mar. 10, 2015, 6 pages.

(22) Filed: **Feb. 5, 2015**

Craker, "Think Outside The Box Keepsake Box", http://www.cafepress.com/+ginuwine+keepsake_boxes, accessed on Mar. 10, 2015, 6 pages.

(51) **LOC (10) Cl.** **03-01**

Creations & Collections, Ltd., "Think Outside The Box Sculpture", <https://www.creationsandcollections.com/Think-Outside-the-Box-Sculpture>, accessed on Mar. 10, 2015, 1 page.

(52) **U.S. Cl.**

USPC **D3/201**

(58) **Field of Classification Search**

USPC D3/273, 274, 275, 276, 281, 284, 292,
D3/294, 295, 296, 297, 299, 905, 901,
D3/903, 205, 203.1, 279, 282, 242, 301,
D3/302, 201; D9/418, 420-423;
D28/76-78, 82-83; D99/28, 34

CPC A45C 5/00; A45C 5/04; A45C 11/00;
A45C 11/16

See application file for complete search history.

(Continued)

Primary Examiner — Sandra Snapp

Assistant Examiner — Holly E Thurman

(74) *Attorney, Agent, or Firm* — Procopio Cory

Hargreaves and Savitch LLP

(56) **References Cited**

(57) **CLAIM**

U.S. PATENT DOCUMENTS

The ornamental design for a container, as shown and described.

1,789,852 A * 1/1931 Warner A45C 11/16

206/301

1,944,714 A * 1/1934 Lehmann A45C 11/16

206/566

D97,006 S * 9/1935 Flier D3/294

2,424,169 A 7/1947 Hoffman

5,581,922 A 12/1996 Heimann

6,983,841 B2 1/2006 Myszka

D516,906 S 3/2006 Ogawa

D606,859 S * 12/2009 Stewart D9/432

D706,627 S * 6/2014 Olsson D9/432

2007/0256948 A1 11/2007 Herera

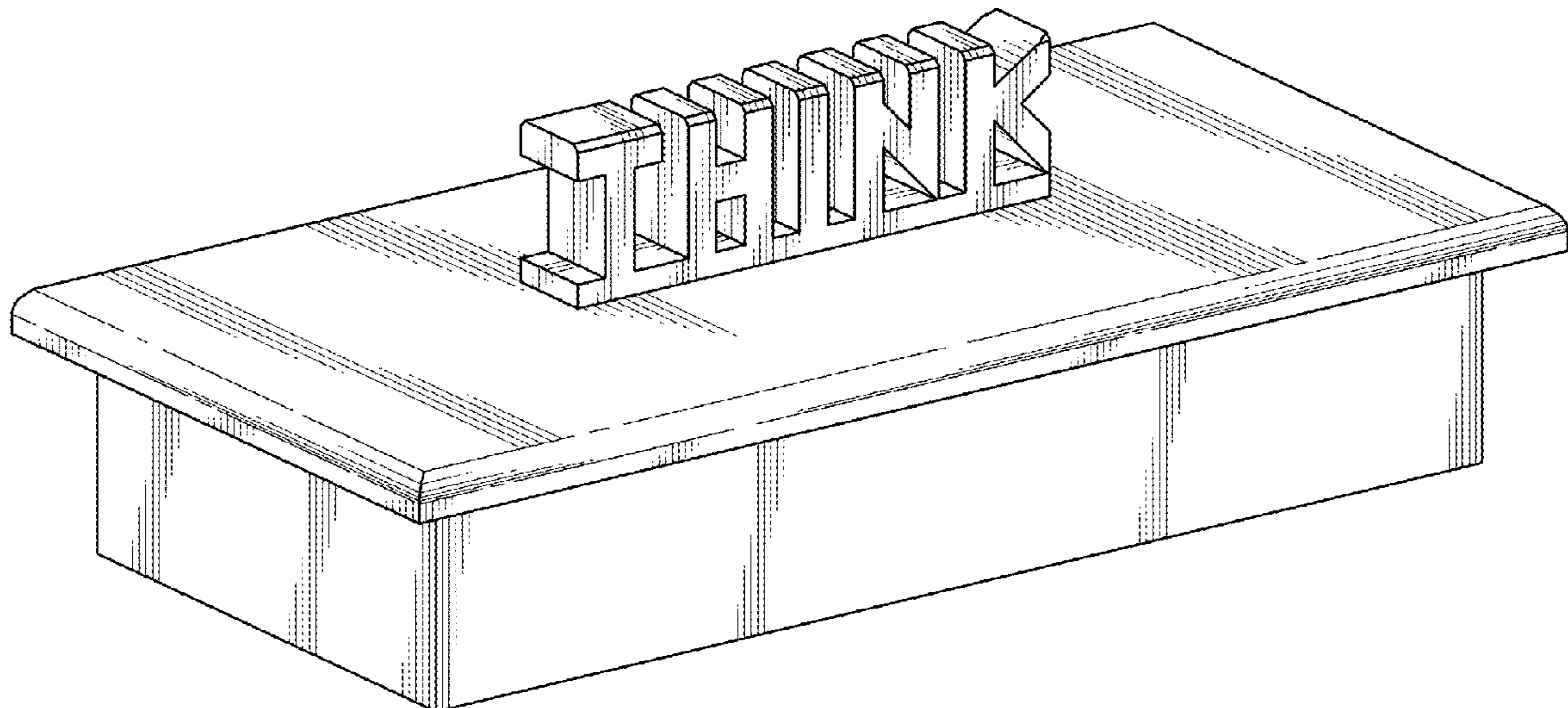
2014/0144054 A1 5/2014 Iriarte Sanllehi

2014/0305815 A1 10/2014 Kouri

DESCRIPTION

FIG. 1 is a front perspective view of the container;
FIG. 2 is a front elevational view of the container;
FIG. 3 is a rear elevational view of the container;
FIG. 4 is a top plan view of the container;
FIG. 5 is a left elevational view of the container; and,
FIG. 6 is a right elevational view of the container.

1 Claim, 3 Drawing Sheets



(56)

References Cited

OTHER PUBLICATIONS

Nicologomez, "Think Outside The Box", <http://cloudbomb7.deviantart.com/art/Think-Outside-The-Box-403570570>, accessed on Mar. 10, 2015, 2 pages.

Omniverz, "Think Outside the Box Sculpture", <http://www.shapeways.com/model/191859/think-outside-the-box-sculpture.html> (white) (black), accessed on Mar. 10, 2015, 4 pages.

Patches 68, "Think Outside The Box Home Decor/Desk/Shelf Sitter Decorative Phrase Box, Natural Box, Black Letters, 4" Cube", <https://www.etsy.com/listing/216740286/think-outside-the-box-home?ref=market>, accessed on Mar. 10, 2015, 3 pages.

Primitives by Kathy, "Think Outside The Box", <http://www.2lisasboutique.com/large-box-think-outside-the-box-7-x-2-75-x-8-50/?gclid=CPq8-LfJgsMCFQET7AodeWkAiQ>, accessed on Mar. 10, 2015, 3 pages.

Primitives by Kathy, "Think Outside The Box", <http://www.amazon.com/Primitives-By-Kathy-Keepsake-Box/dp/images/B0092FXZOW>, accessed on Mar. 10, 2015, 1 page.

Slide Team, "Think Outside The Box Business PowerPoint Templates And PowerPoint Backgrounds 0511", 3 accessed Mar. 10, 2015, 3 pages.

Uliasz, "Think outside the box", <http://www.dreamstime.com/royalty-free-stock-photo-think-outside-box-word-abstract-letterpress-wood-type-grunge-wooden-surface-image34288235>, accessed on Mar. 10, 2015, 2 pages.

* cited by examiner

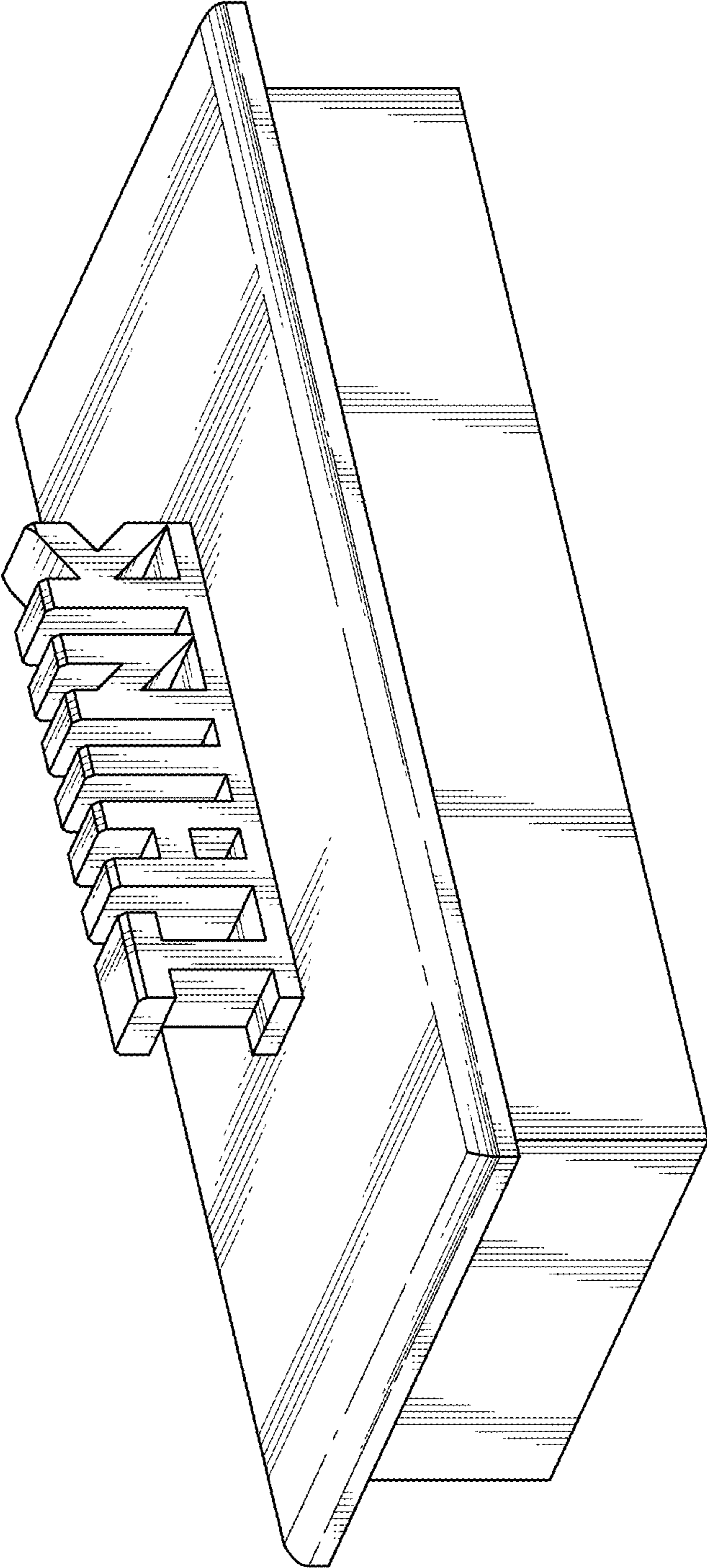


FIG. 1

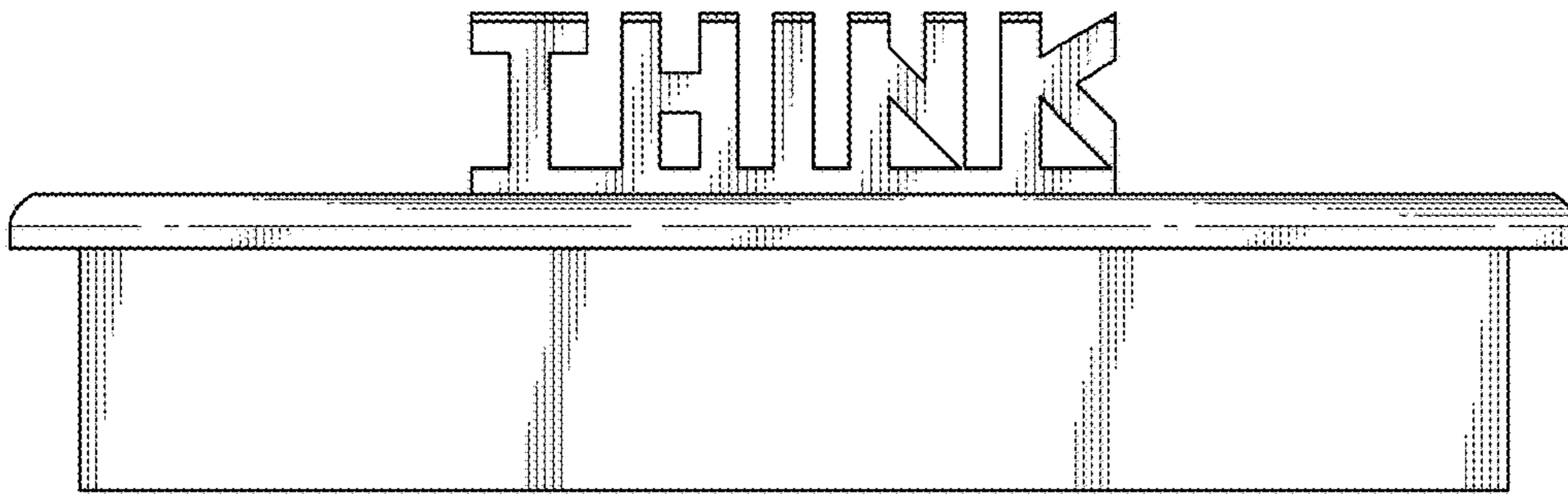


FIG. 2

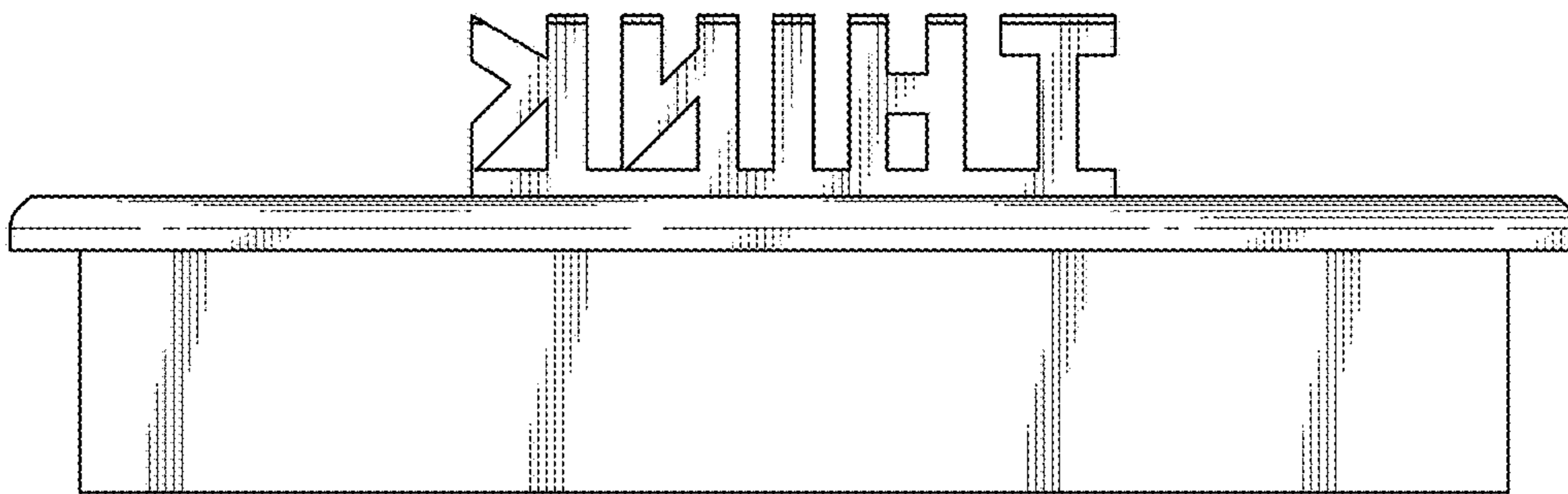


FIG. 3

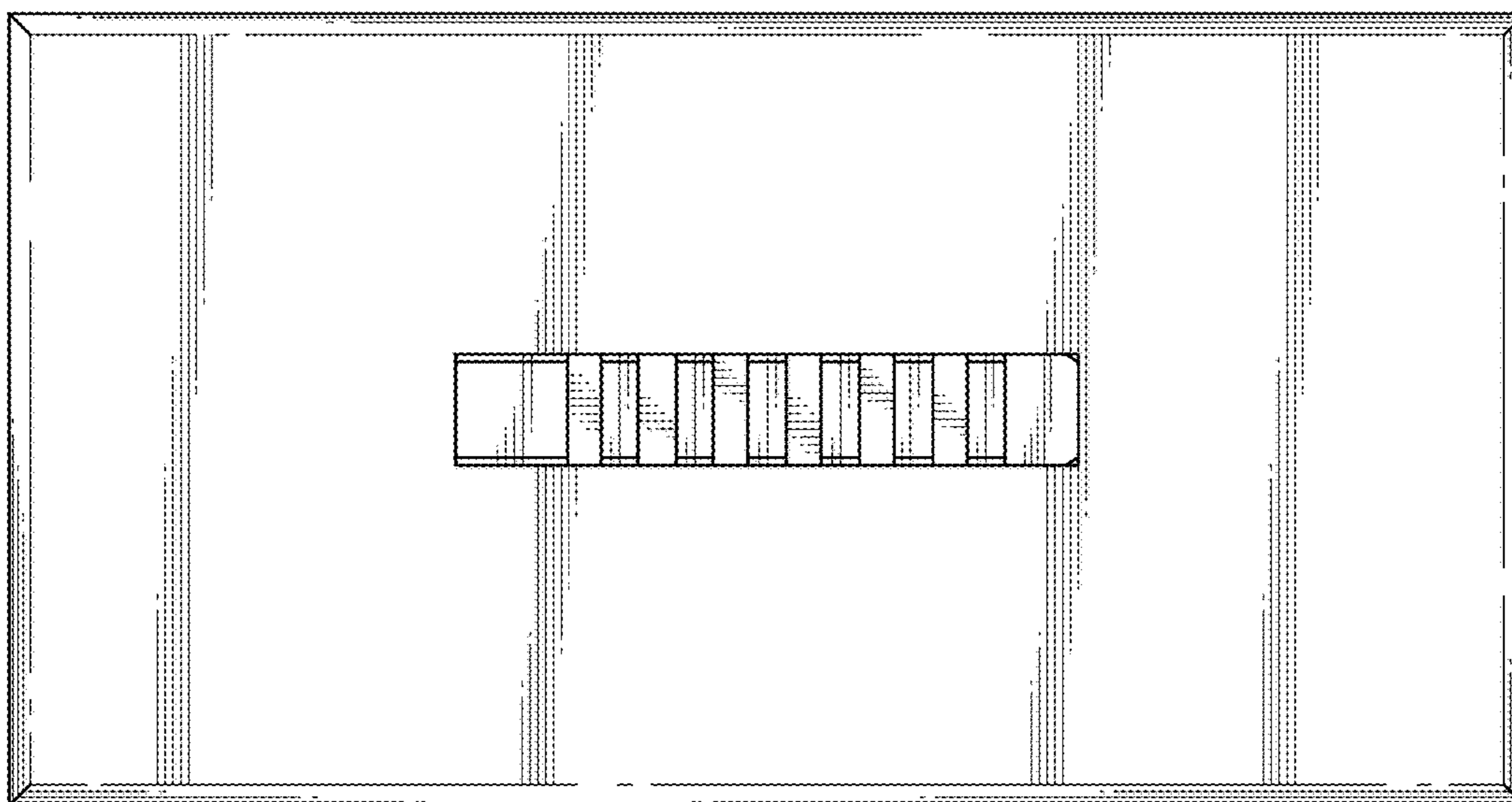


FIG. 4

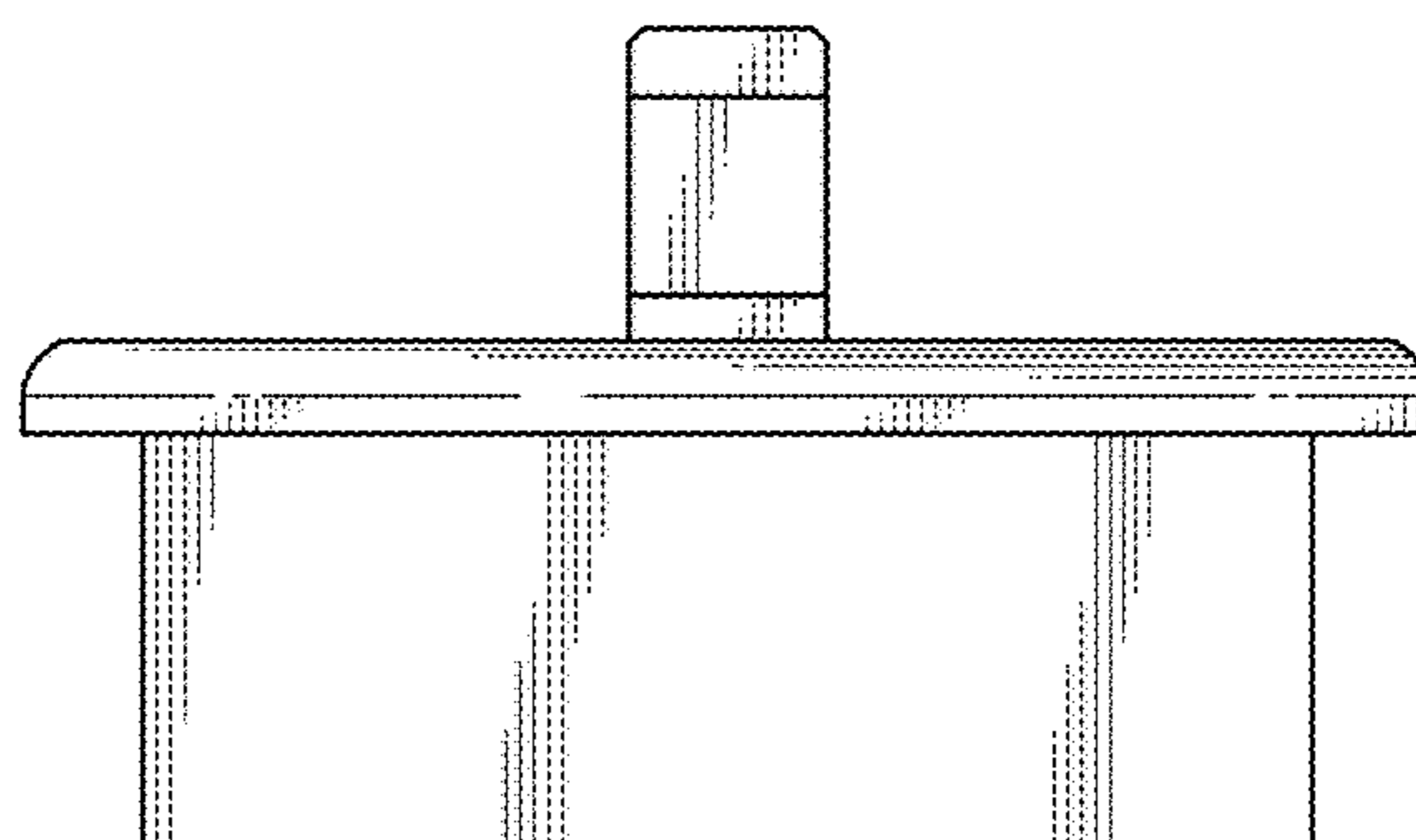


FIG. 5

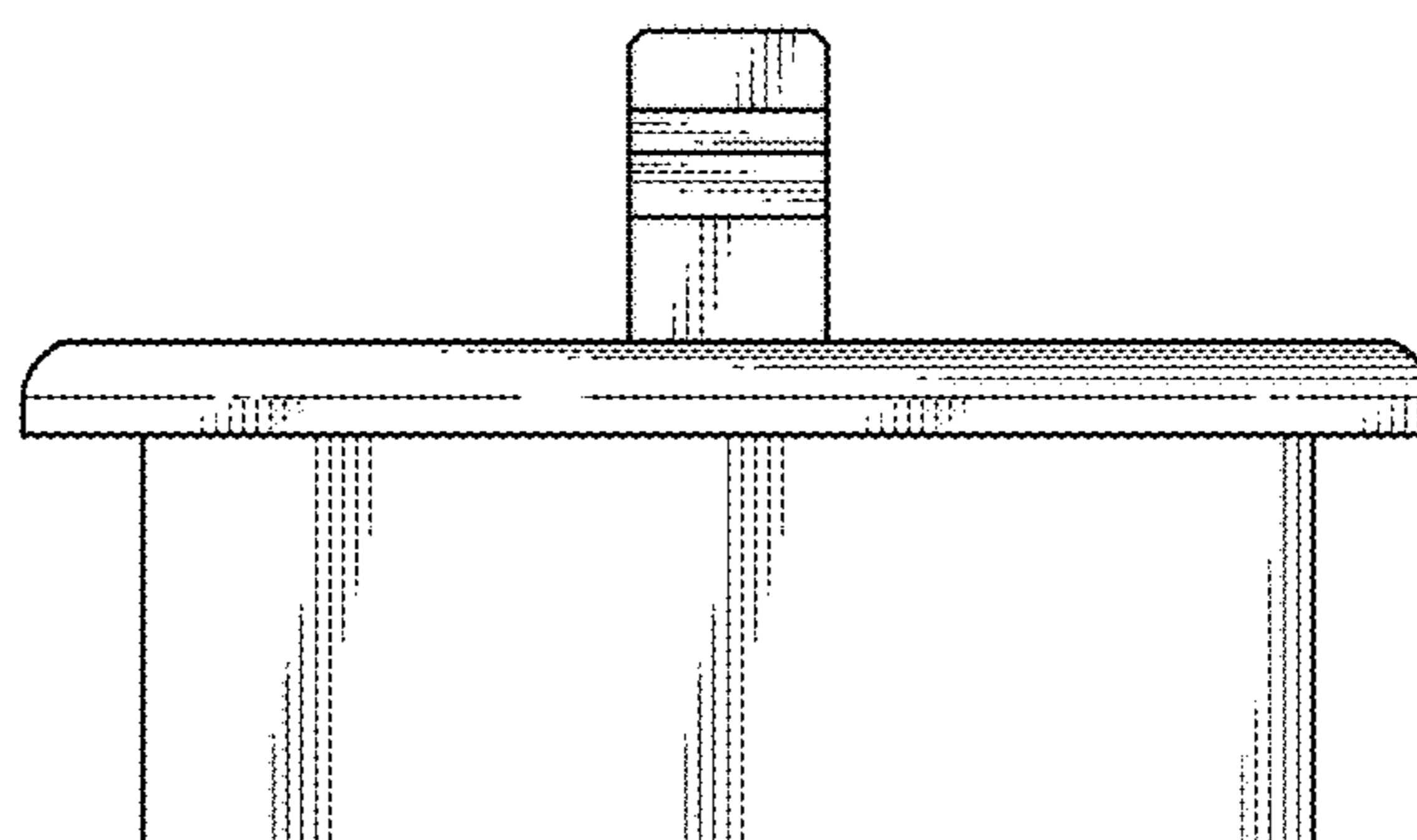


FIG. 6