



US00D776897S

(12) **United States Design Patent**  
**Fox**

(10) **Patent No.:** **US D776,897 S**  
(45) **Date of Patent:** **\*\* Jan. 17, 2017**

(54) **FLOOR JACK FRAME**

D720,514 S \* 12/2014 Fox ..... D34/31  
D720,915 S \* 1/2015 Fox ..... D34/31  
D730,612 S \* 5/2015 James ..... D34/31

(71) Applicant: **Professional Tool Products, LLC,**  
Travelers Rest, SC (US)

\* cited by examiner

(72) Inventor: **Robert Fox,** Greenville, SC (US)

*Primary Examiner* — Cynthia Ramirez

(73) Assignee: **Professional Tool Products, LLC,**  
Travelers Rest, SC (US)

(74) *Attorney, Agent, or Firm* — J. Bennett Mullinax,  
LLC

(\*\*) Term: **14 Years**

(21) Appl. No.: **29/519,207**

(57) **CLAIM**

(22) Filed: **Mar. 3, 2015**

The ornamental design for a floor jack frame, as shown and described.

(51) **LOC (10) Cl.** ..... **12-05**

(52) **U.S. Cl.**  
USPC ..... **D34/31**

**DESCRIPTION**

(58) **Field of Classification Search**

USPC . D34/28, 31; 254/83, 84, 11, 93 H, 2 B, 88,  
254/DIG. 3, 48, 94, 93 R, 8 B, 8 R, 2 R  
CPC ..... B66F 13/00; B66F 1/00; B66F 1/02;  
B66F 1/06; B66F 1/08; B66F 3/16; B66F  
3/25; B66F 3/30; B66F 3/12; B66F 3/18;  
B66F 3/24; B66F 3/247; B66F 3/28; B66F  
3/35

FIG. 1 is an upper perspective view of the floor jack frame showing my new design;  
FIG. 2 is a front view thereof;  
FIG. 3 is a rear view thereof;  
FIG. 4 is a left side view thereof;  
FIG. 5 is a right side view thereof;  
FIG. 6 is a top view thereof;  
FIG. 7 is a bottom view thereof; and,  
FIG. 8 is an upper perspective view thereof.

See application file for complete search history.

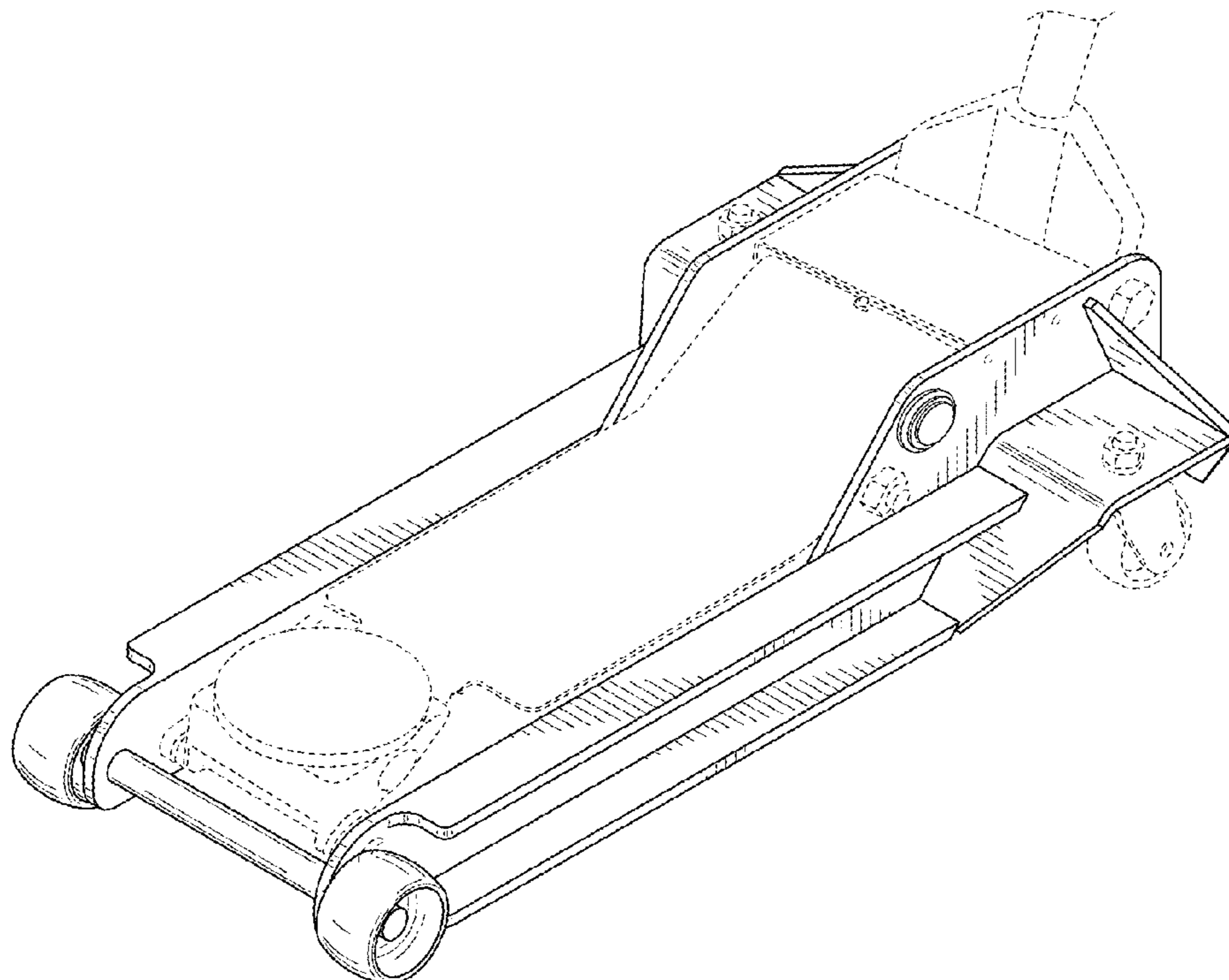
The broken lines shown in FIGS. 1 through 7 are included for the purpose of illustrating environment and forms no part of the claimed design.

(56) **References Cited**

**U.S. PATENT DOCUMENTS**

D421,516 S \* 3/2000 Hung ..... D34/31  
D688,845 S \* 8/2013 Hernandez ..... D34/31

**1 Claim, 8 Drawing Sheets**



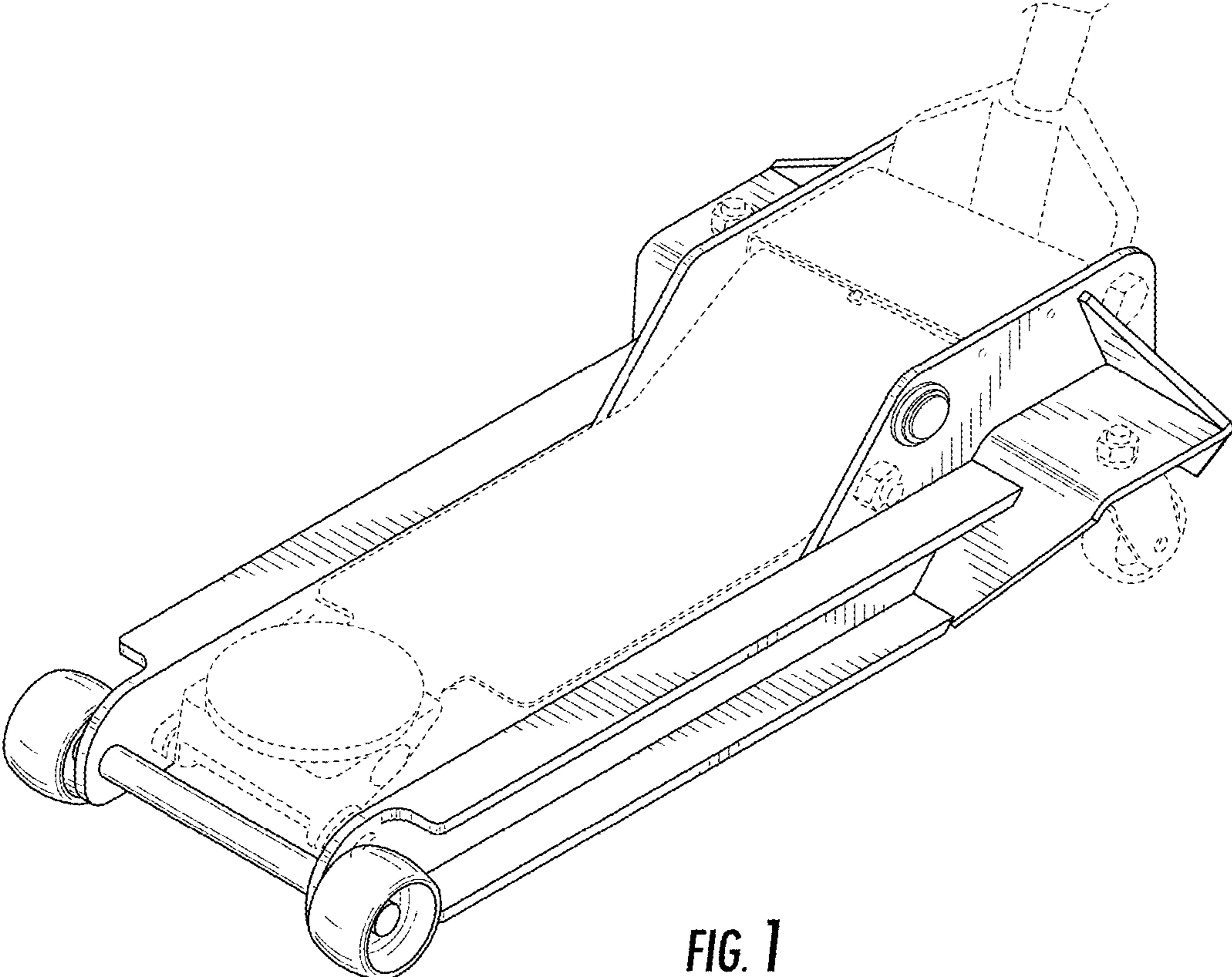
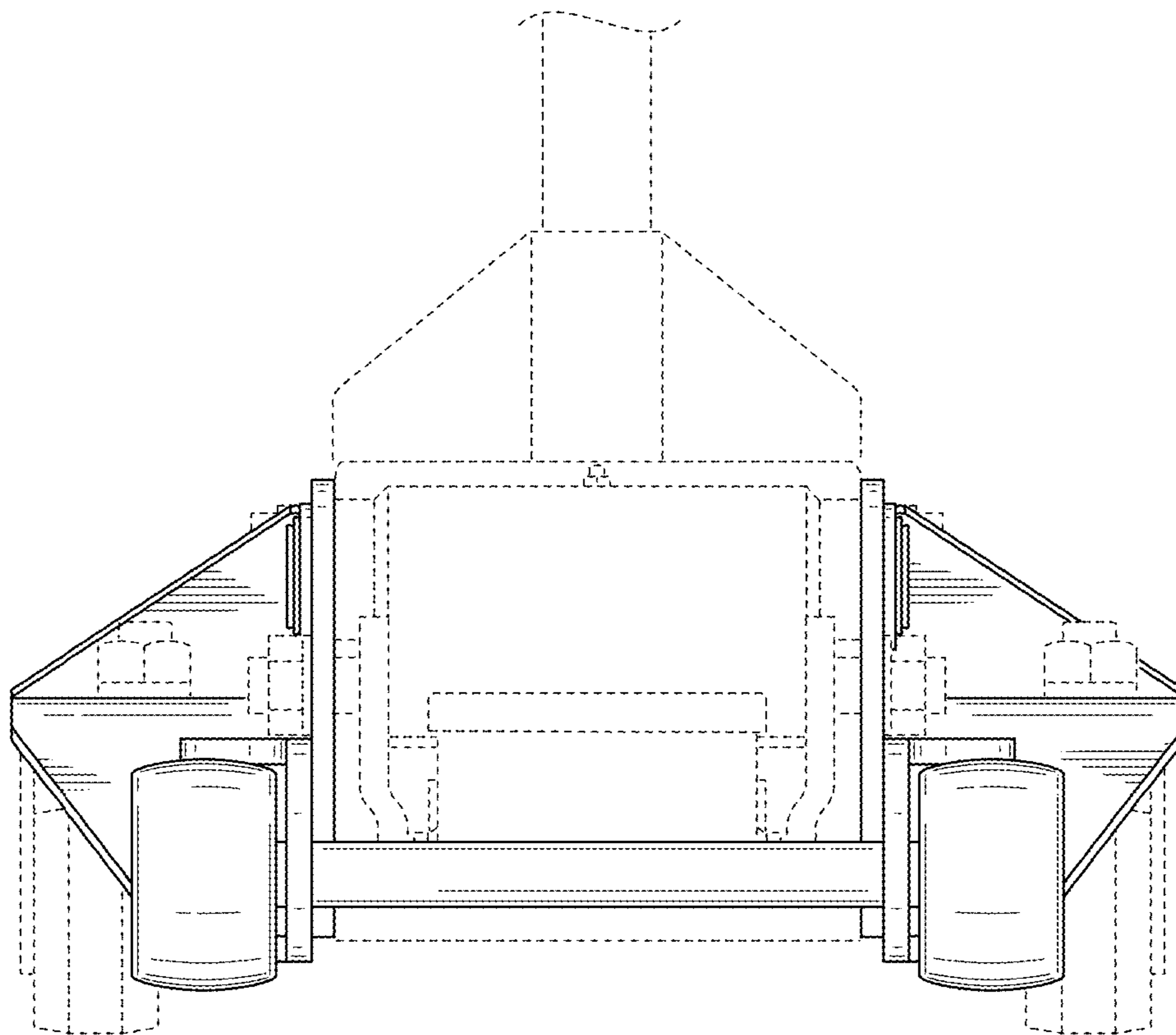
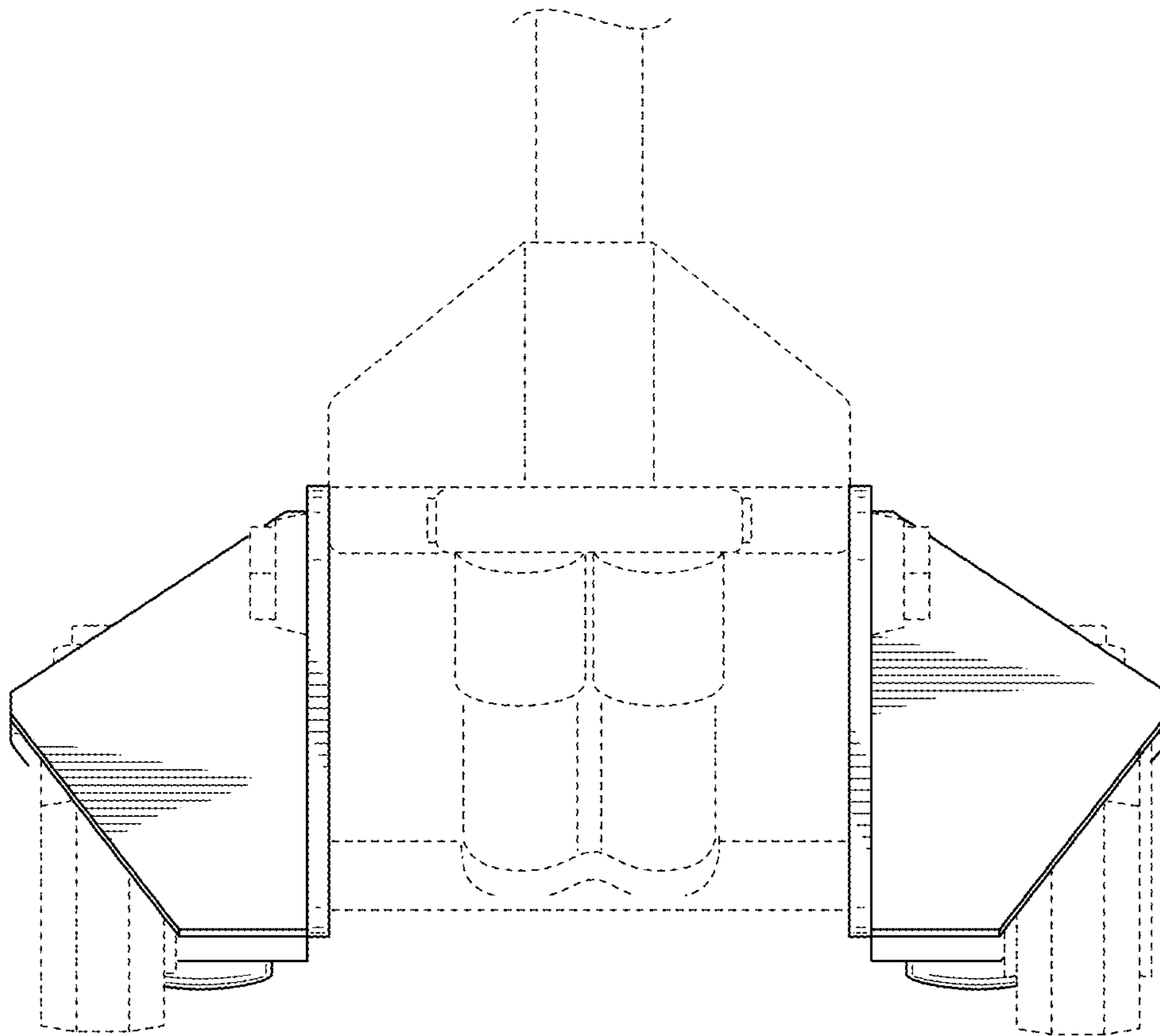


FIG. 1



**FIG. 2**



**FIG. 3**

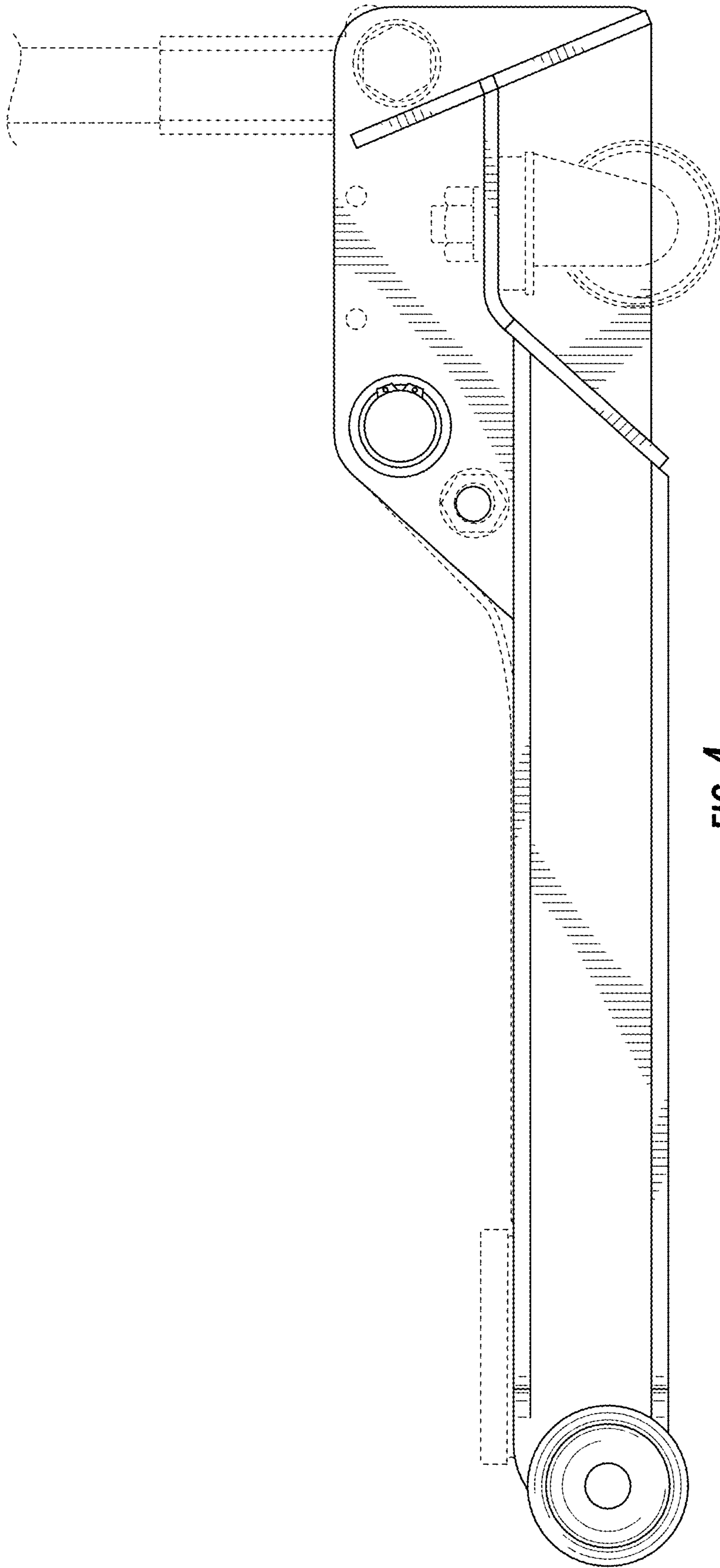


FIG. 4

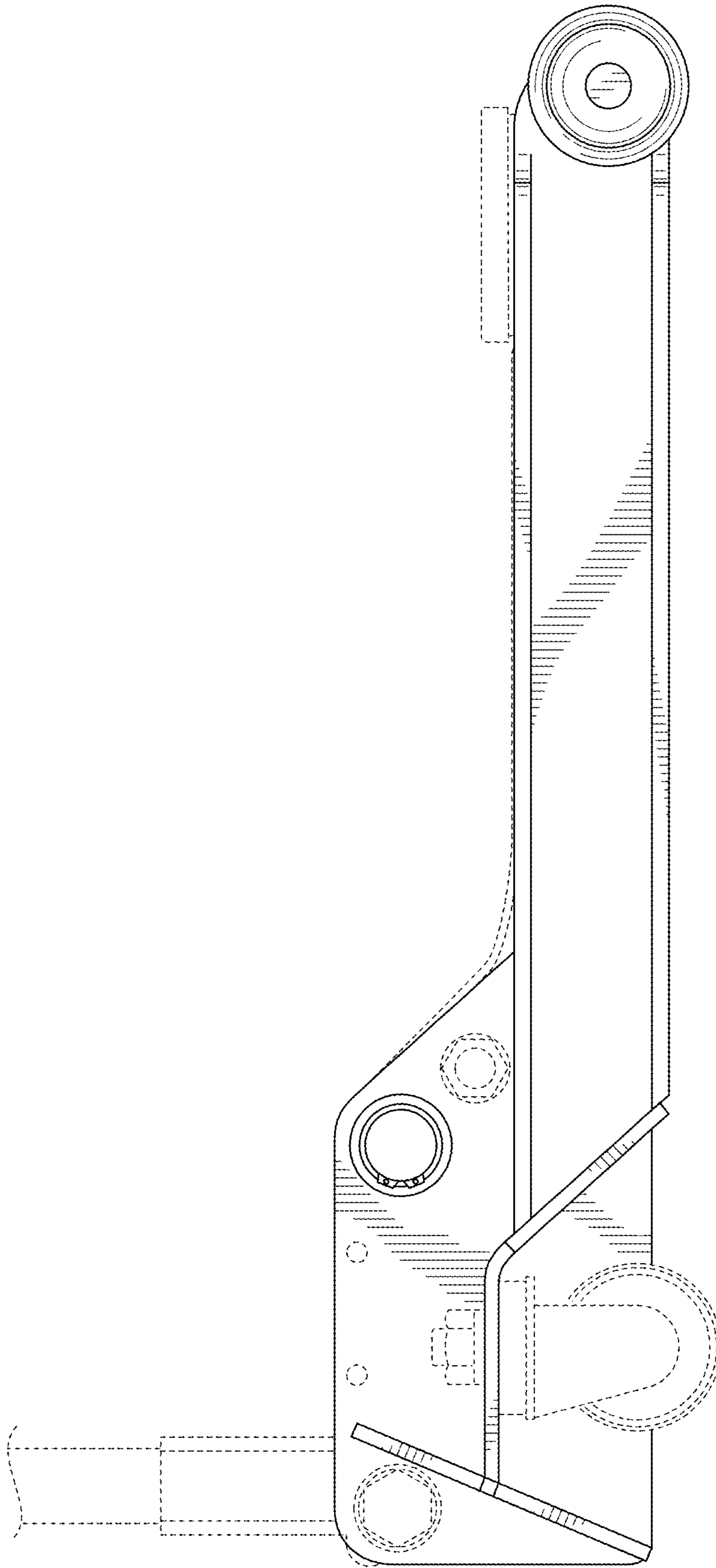


FIG. 5

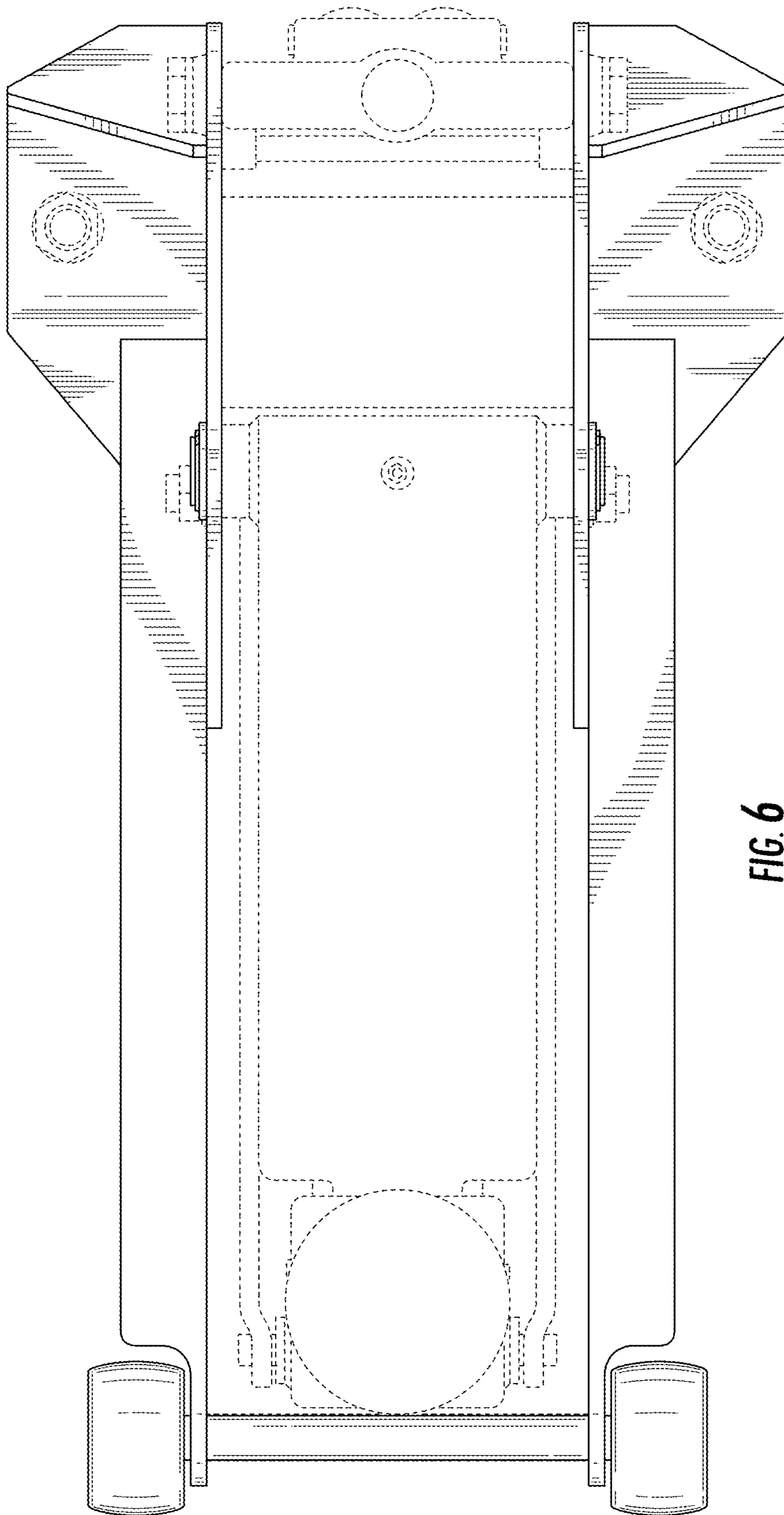


FIG. 6

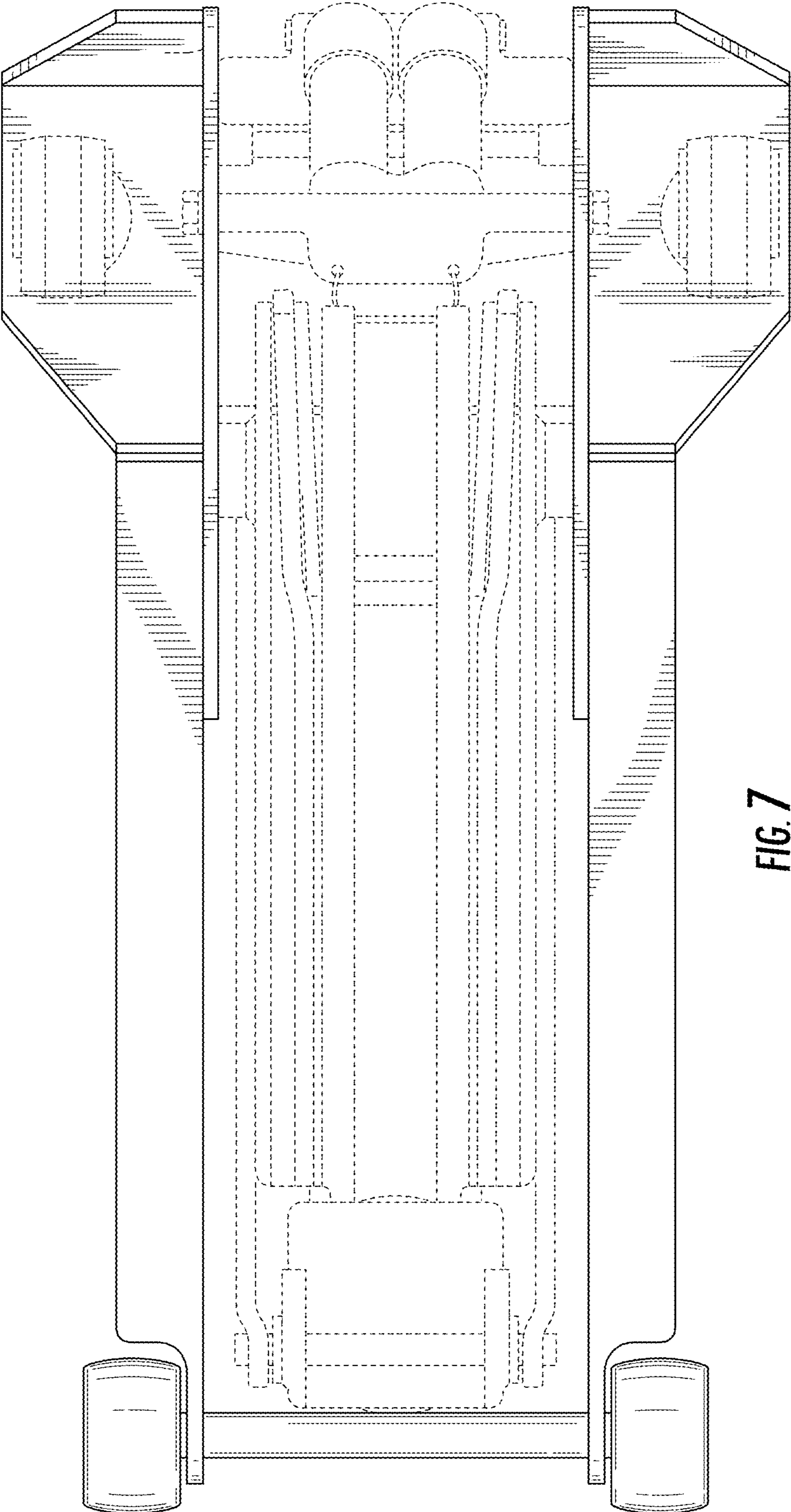


FIG. 7



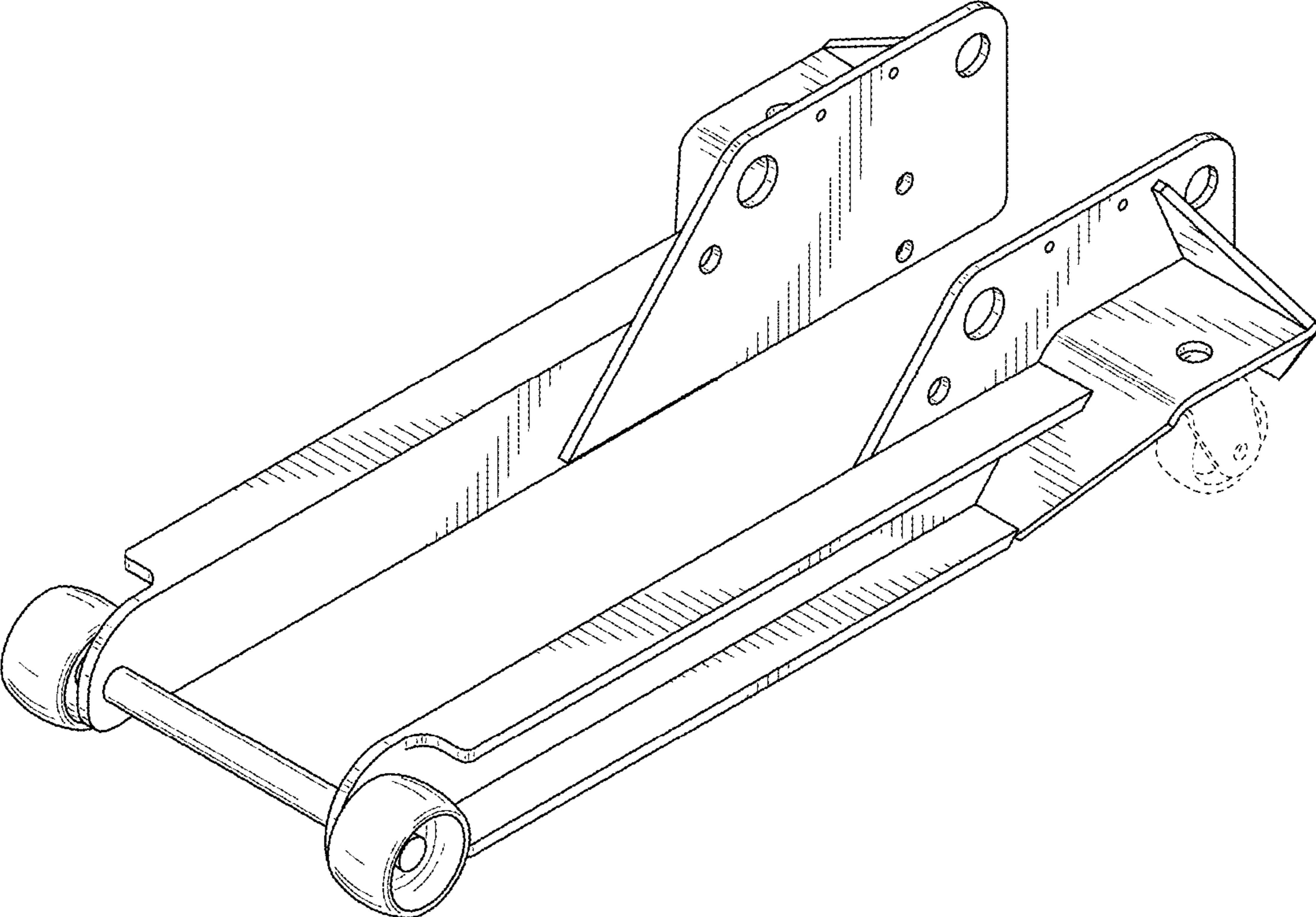


FIG. 8