



US00D776896S

(12) **United States Design Patent**
Paitchell et al.

(10) **Patent No.:** **US D776,896 S**
(45) **Date of Patent:** **** Jan. 17, 2017**

- (54) **WHEEL RIM**
- (71) Applicant: **Foremost Groups, Inc.**, East Hanover, NJ (US)
- (72) Inventors: **Michael Paitchell**, Clifton, NJ (US); **Scott Kensey**, Bow, NH (US); **Wan Shihong**, Shenzhen (CN); **Chen Kelin**, Guangzhou (CN)
- (73) Assignee: **Foremost Groups, Inc.**, East Hanover, NJ (US)
- (**) Term: **14 Years**
- (21) Appl. No.: **29/525,102**
- (22) Filed: **Apr. 27, 2015**
- (51) **LOC (10) Cl.** **12-02**
- (52) **U.S. Cl.**
USPC **D34/27; D34/10**
- (58) **Field of Classification Search**
USPC D34/10, 11, 27; 280/DIG. 6, 282, 47.31, 280/87.042; D12/211, 204, 205, 501, 209, D12/88, 135
CPC B62K 9/02; B62K 3/005; B62B 1/18; B62B 1/20; B62B 1/22; B62B 1/206
See application file for complete search history.

6,666,526	B1 *	12/2003	Cummins	B60B 37/10	301/111.04
D542,003	S *	5/2007	Morris	D34/27	
D570,070	S *	5/2008	Morris	D12/204	
D631,223	S *	1/2011	Kosheba	D34/27	
D632,044	S *	2/2011	Morris	D34/27	
D683,099	S *	5/2013	Wright	D34/10	
D702,411	S *	4/2014	Bromm	D34/10	
D763,535	S *	8/2016	Workman	D34/27	
2012/0074663	A1 *	3/2012	Parker	B60B 37/10	280/29

- (56) **References Cited**
U.S. PATENT DOCUMENTS
5,725,351 A * 3/1998 Guibert B62B 1/042
224/274
6,095,543 A * 8/2000 McMahon B62K 9/02
280/282
6,464,305 B2 * 10/2002 Markling B60B 37/10
264/271.1

OTHER PUBLICATIONS

Prior Existing wheel rim, 2 pages, dated prior to Dec. 2014.

* cited by examiner

Primary Examiner — Cynthia Ramirez

(74) *Attorney, Agent, or Firm* — Drinker Biddle & Reath LLP

(57) **CLAIM**

The ornamental design for a wheel rim, as shown and described.

DESCRIPTION

FIG. 1 is a top rear isometric view of a wheel rim according to the present invention.

FIG. 2 is a top front isometric view of the wheel rim of FIG. 1.

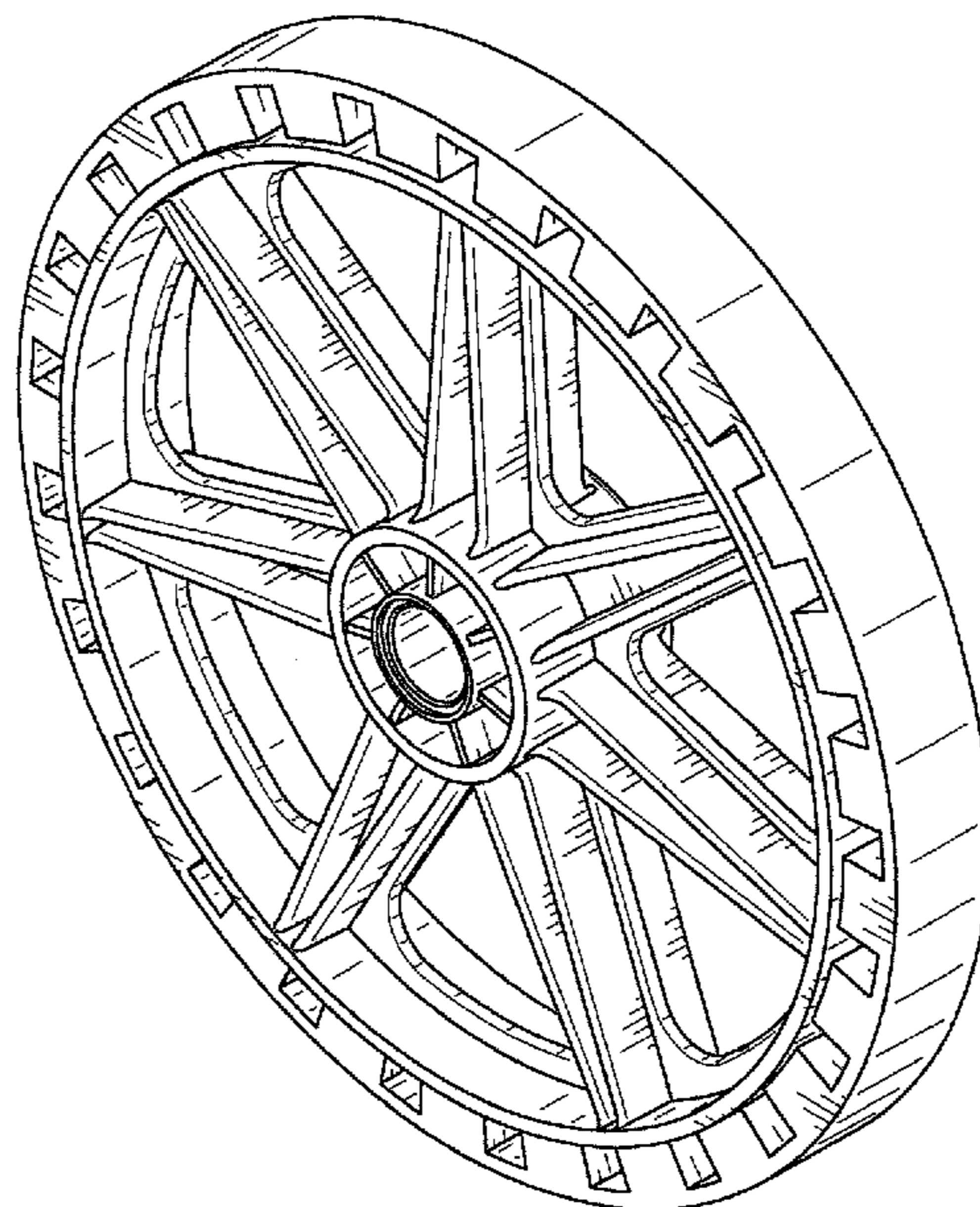
FIG. 3 is a rear view of the wheel rim of FIG. 1.

FIG. 4 is a front view of the wheel rim of FIG. 1.

FIG. 5 is a top side view of the wheel rim of FIG. 1, the bottom view being a mirror image; and,

FIG. 6 is a left side view of the wheel rim of FIG. 1, the right side view being a mirror image.

1 Claim, 5 Drawing Sheets



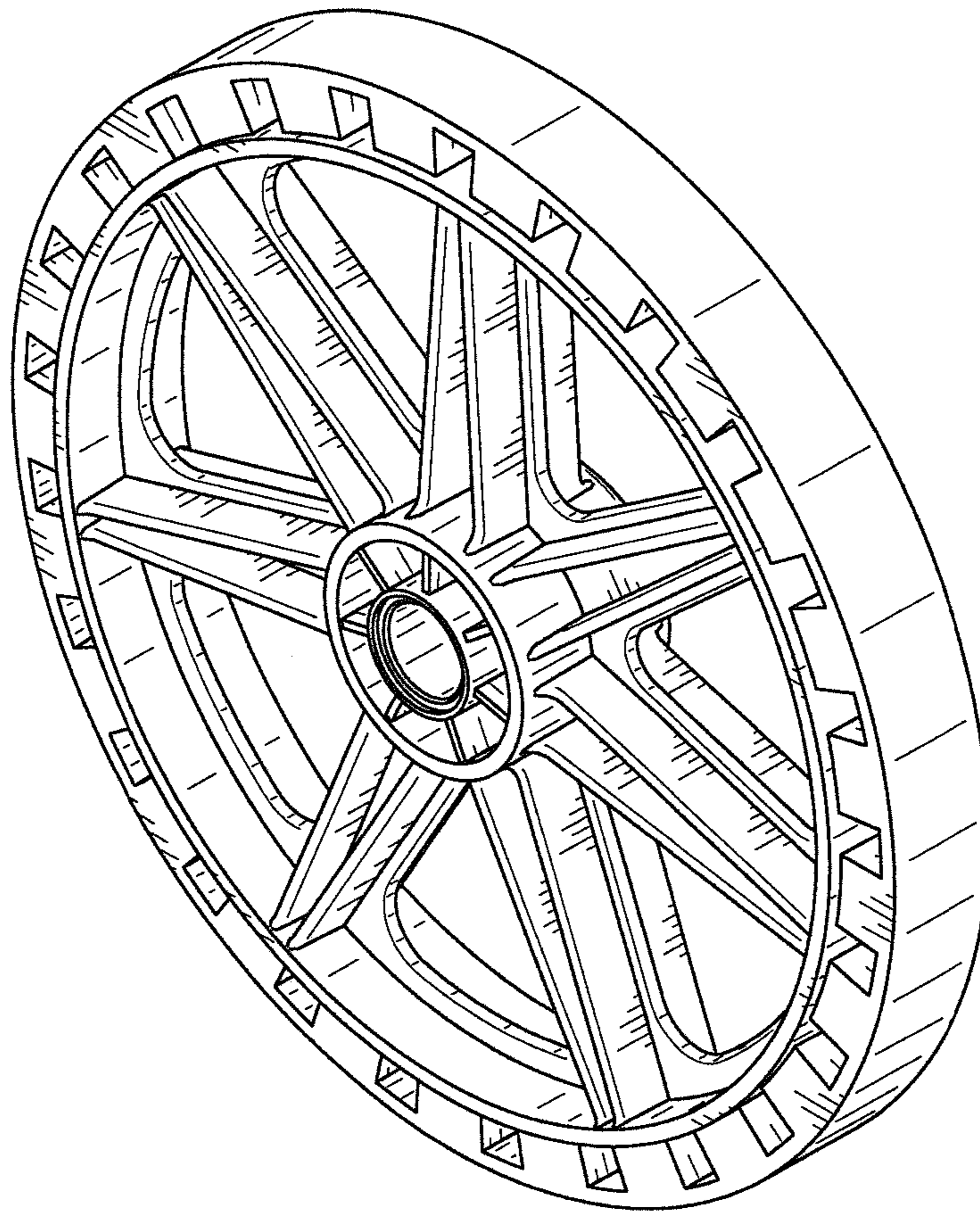


FIG. 1

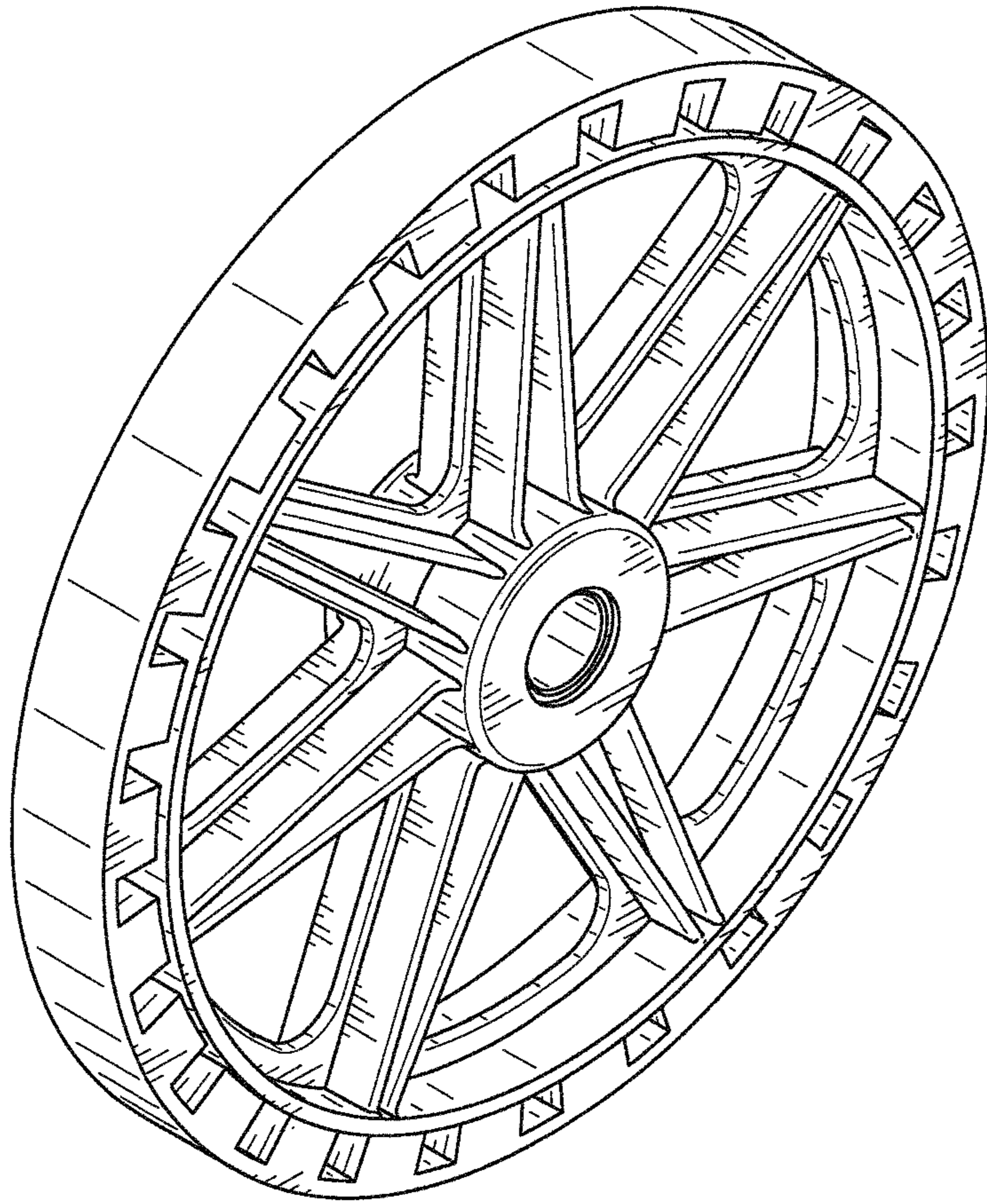


FIG. 2

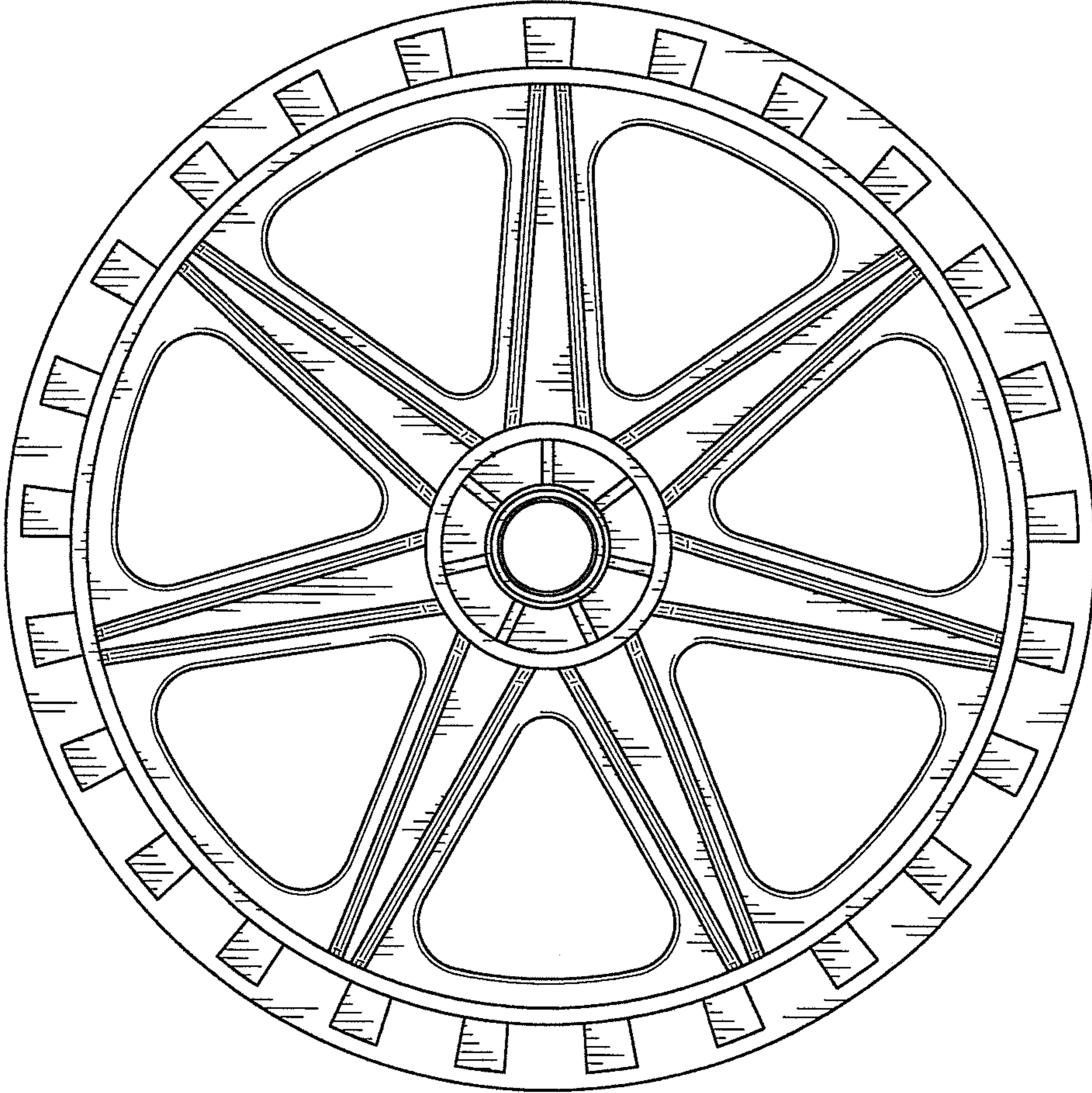


FIG. 3

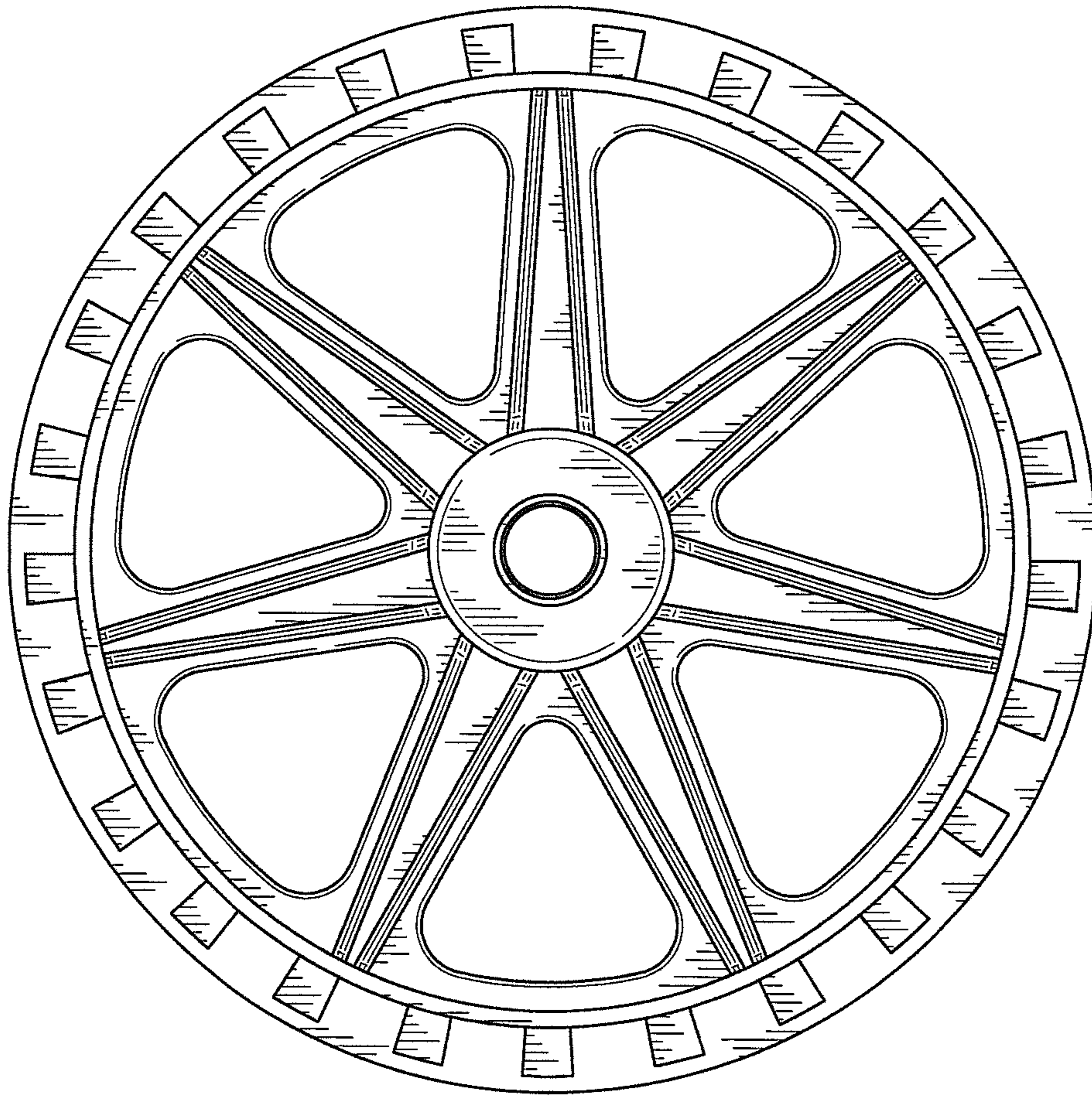


FIG. 4

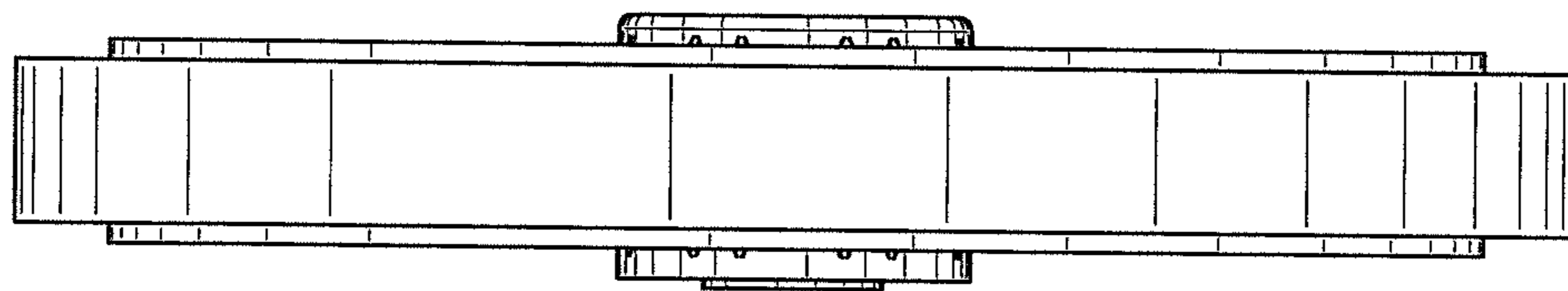


FIG. 5

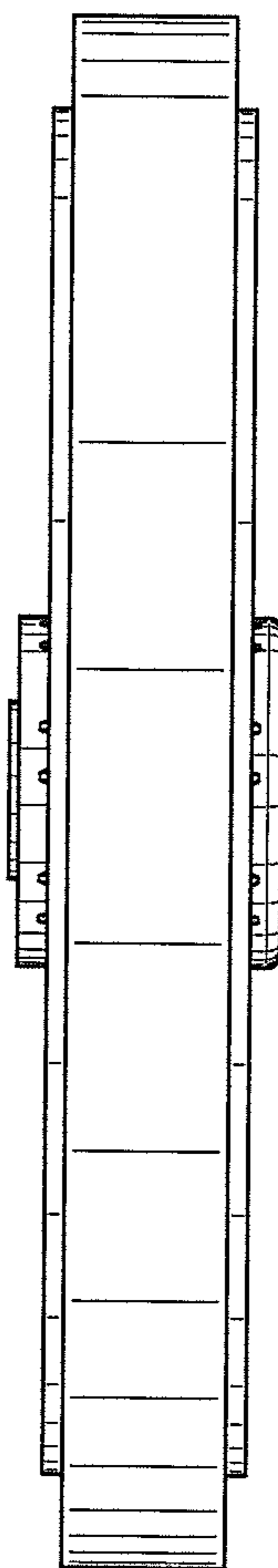


FIG. 6