



US00D776894S

(12) **United States Design Patent** (10) **Patent No.:** **US D776,894 S**
Lee (45) **Date of Patent:** **** Jan. 17, 2017**

(54) **PUSHCART**
(71) Applicant: **Yuan-Cheng Lee**, Taichung (TW)
(72) Inventor: **Yuan-Cheng Lee**, Taichung (TW)
(**) Term: **15 Years**
(21) Appl. No.: **29/547,224**
(22) Filed: **Dec. 2, 2015**
(51) **LOC (10) Cl.** **12-02**
(52) **U.S. Cl.**
USPC **D34/24**
(58) **Field of Classification Search**
USPC D34/12-27; 280/47.2, 47.21, 47.27, 654
CPC B62B 5/00; B62B 1/02; B62B 1/10;
B62B 1/12; B62B 1/18; B62B 1/14; B62B
1/002
See application file for complete search history.

D632,448 S * 2/2011 Simko D34/12
D638,190 S * 5/2011 Spann D34/14
D654,241 S * 2/2012 Vilkomirski D34/26
D664,733 S * 7/2012 Yang D34/24
D683,923 S * 6/2013 Henley D34/26
8,465,029 B2 * 6/2013 Yang B62B 1/12
280/47.27
D749,812 S * 2/2016 Gibson D34/26
9,327,745 B2 * 5/2016 Tsai B62B 1/042
D758,687 S * 6/2016 Shitrit D34/12
2005/0127625 A1 * 6/2005 Zimmer B62B 1/125
280/47.27

* cited by examiner

Primary Examiner — Cynthia Ramirez
(74) *Attorney, Agent, or Firm* — Alan D. Kamrath;
Kamrath IP Lawfirm, P.A.

(57) **CLAIM**

The ornamental design for a pushcart, as shown and described.

(56) **References Cited**

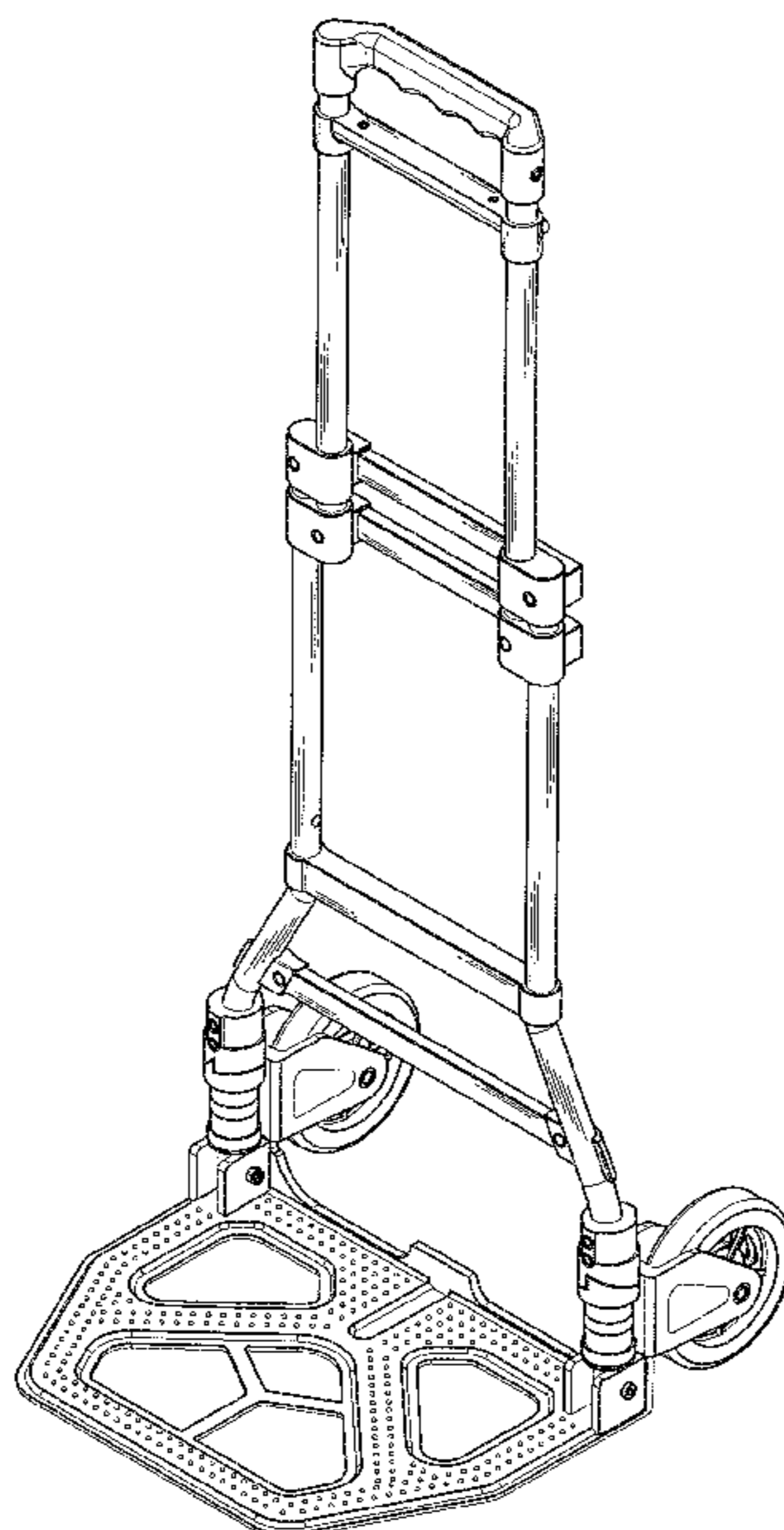
U.S. PATENT DOCUMENTS

D298,076 S * 10/1988 Holtz D34/26
D328,661 S * 8/1992 vom Braucke D34/24
D335,738 S * 5/1993 Tsai D34/12
D453,602 S * 2/2002 Chang D34/24
D466,267 S * 11/2002 Lee D34/24
D480,527 S * 10/2003 Kollen D34/21
D485,038 S * 1/2004 Zimmer D34/24
7,044,484 B2 * 5/2006 Wang B62B 1/125
280/40
7,097,183 B1 * 8/2006 Su B62B 1/12
280/40
7,441,785 B1 * 10/2008 Tsai B62B 1/12
280/47.29

DESCRIPTION

FIG. 1 is a perspective view of a pushcart showing my design;
FIG. 2 is a front elevational view thereof;
FIG. 3 is a rear elevational view thereof;
FIG. 4 is a left side elevational view thereof;
FIG. 5 is a right side elevational view thereof;
FIG. 6 is a top plan view thereof; and,
FIG. 7 is a bottom plan view thereof.

1 Claim, 7 Drawing Sheets



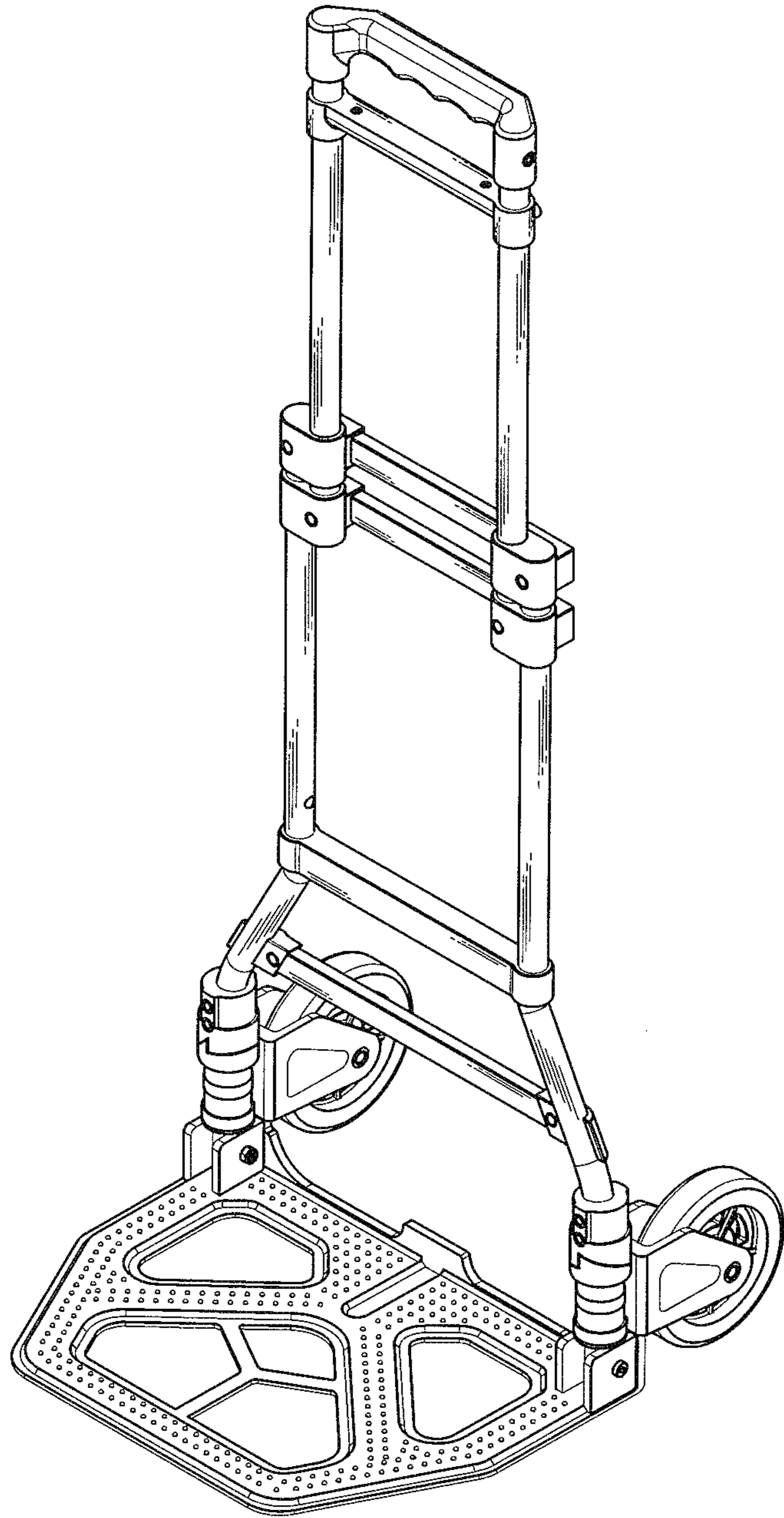


FIG. 1

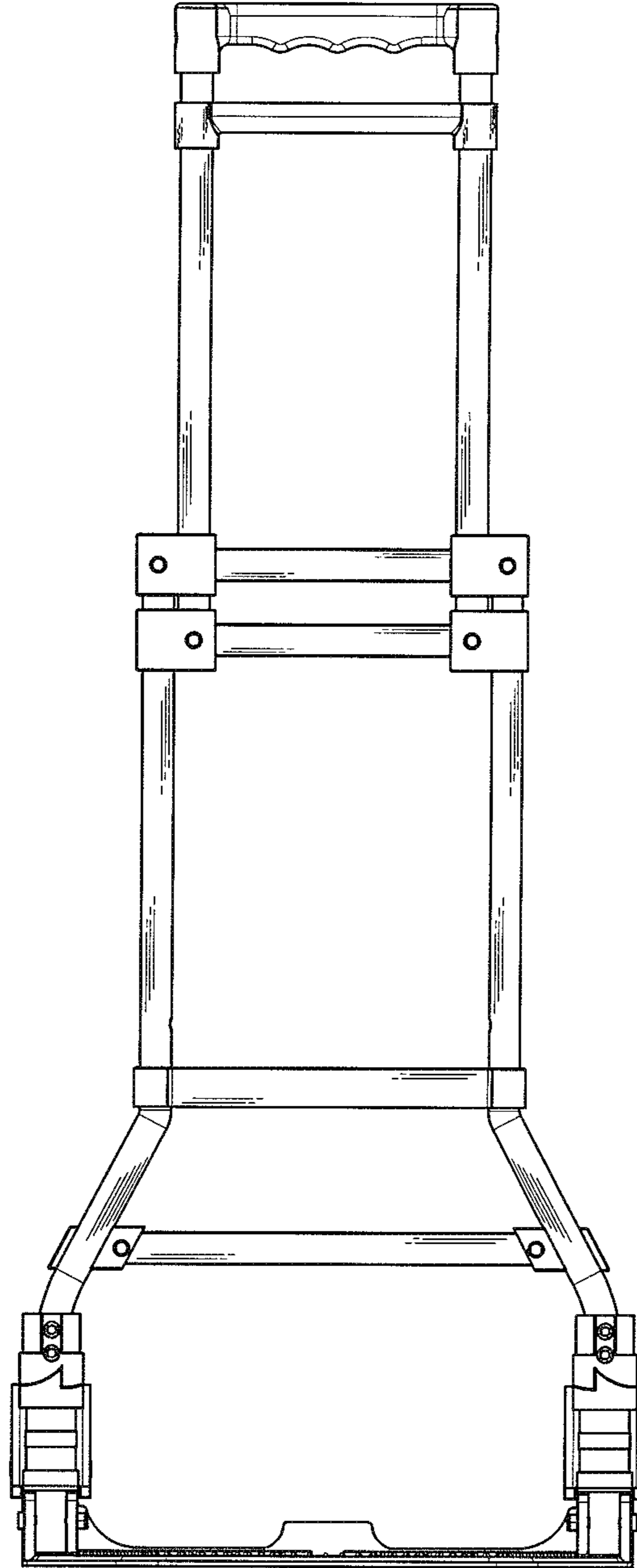


FIG. 2

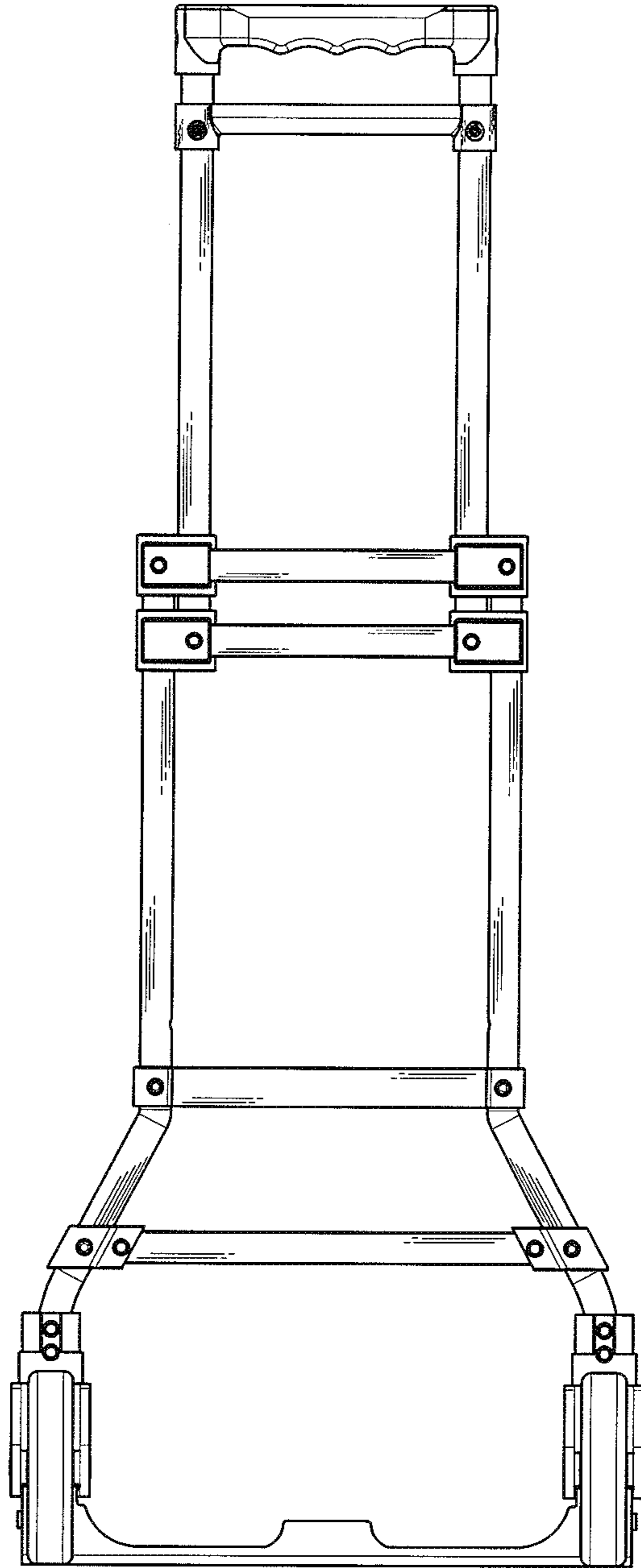


FIG. 3

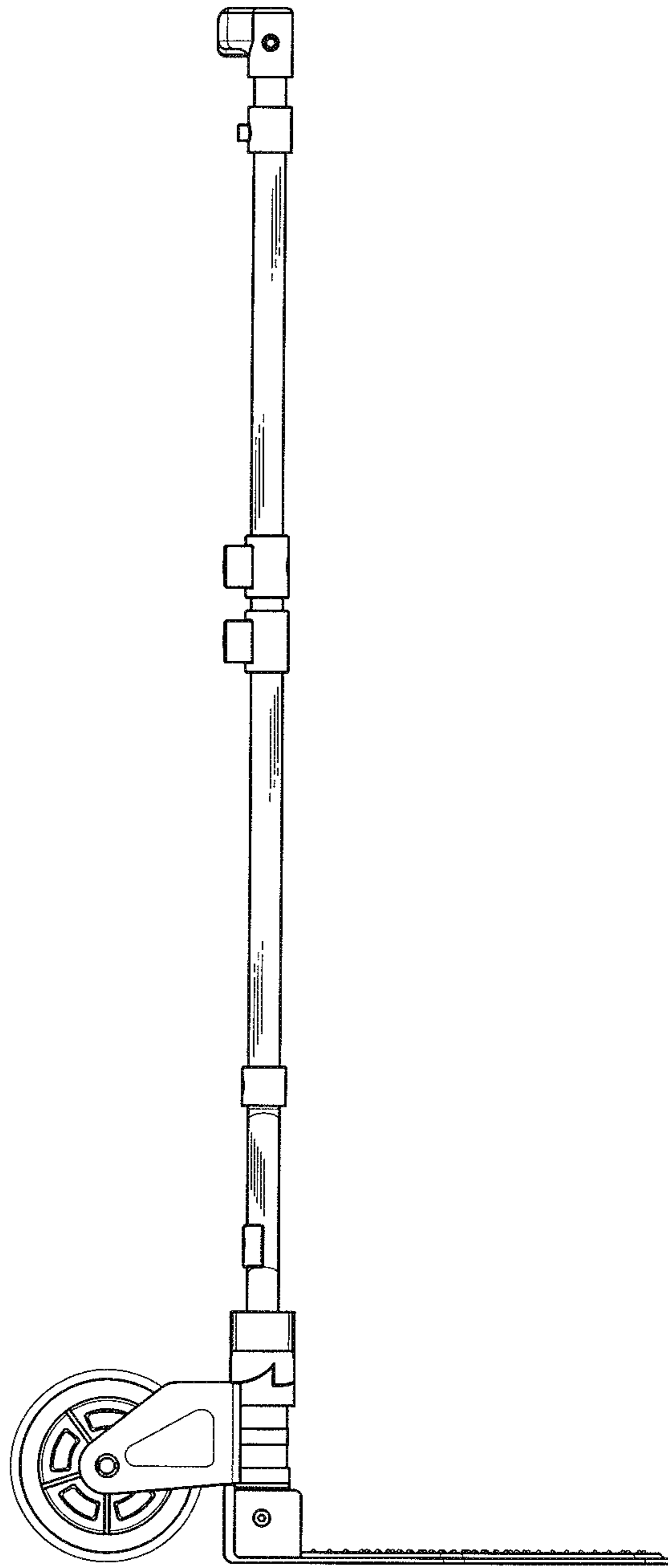


FIG. 4

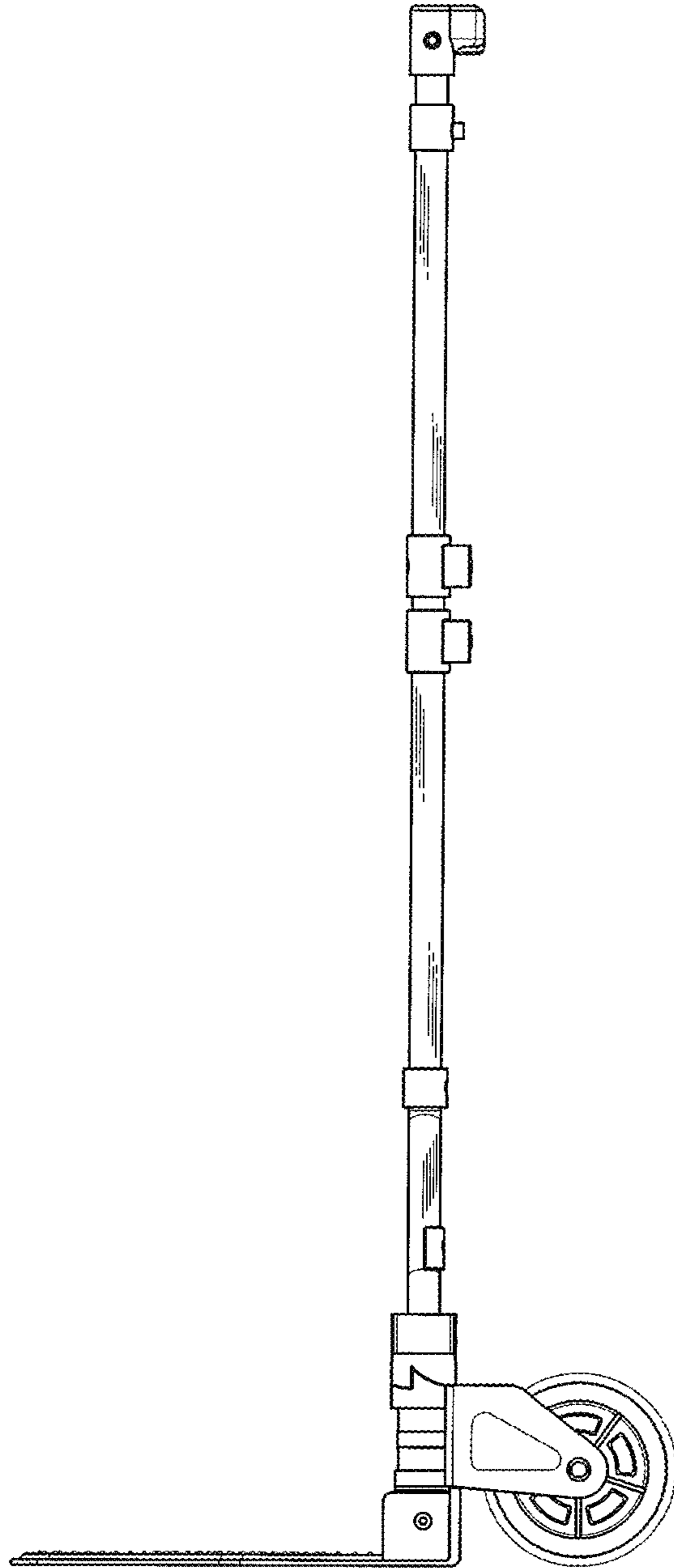


FIG. 5

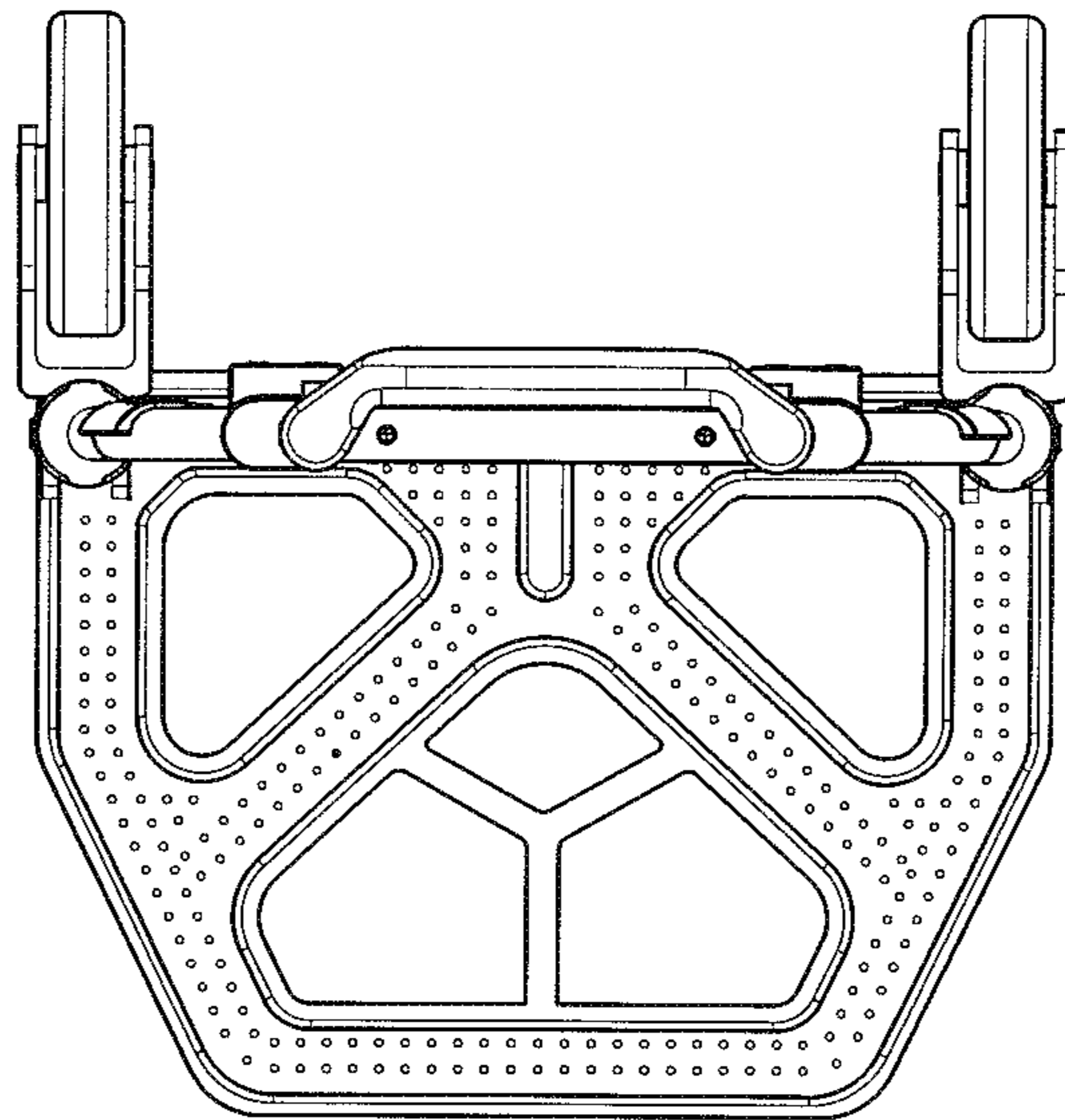


FIG. 6

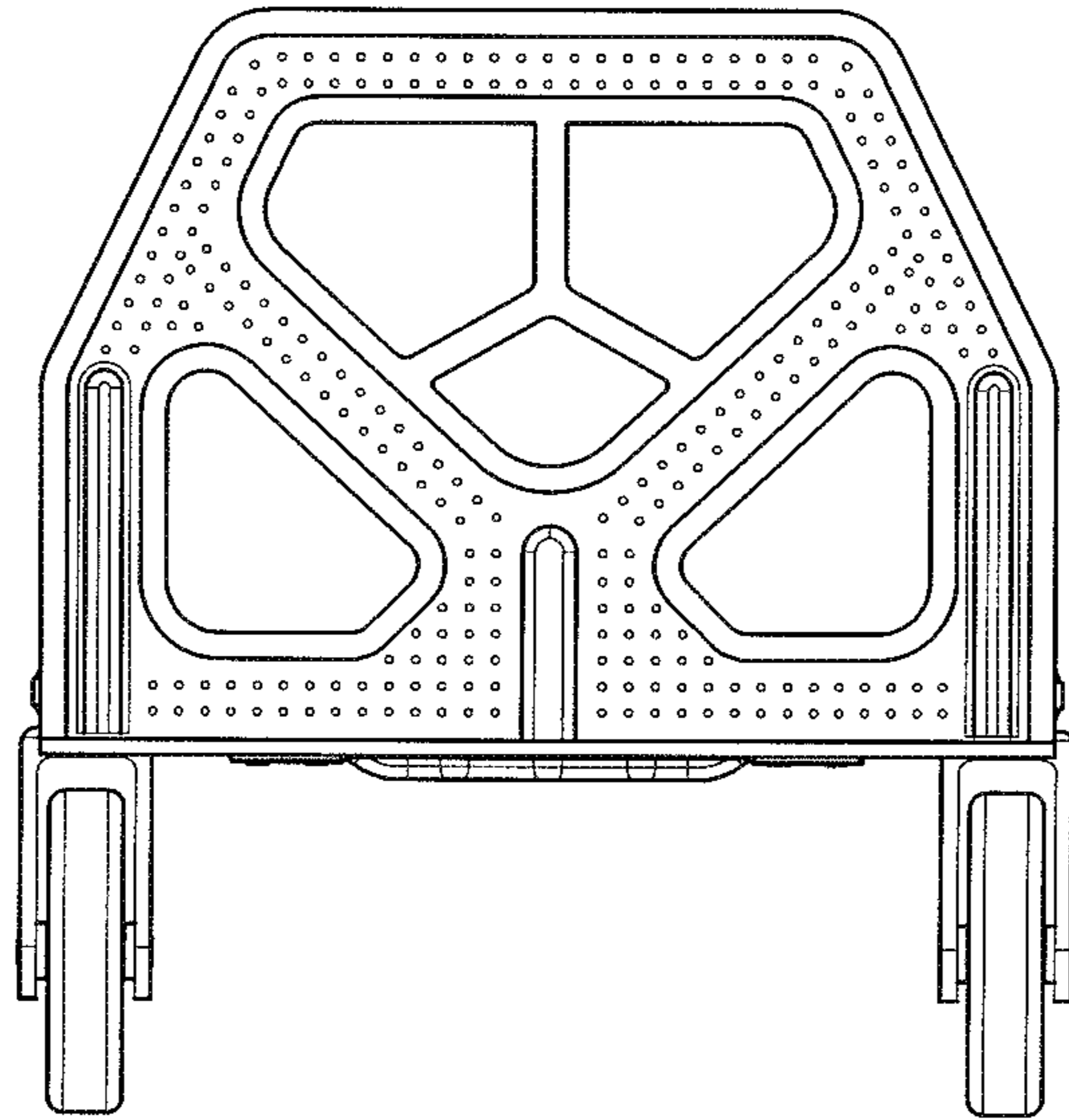


FIG. 7