



US00D776893S

(12) **United States Design Patent**
Stauss

(10) **Patent No.:** **US D776,893 S**
(45) **Date of Patent:** **** Jan. 17, 2017**

(54) **DUSTBIN**

(71) Applicant: **Naber Holding GmbH & Co. KG**,
Nordhorn (DE)

(72) Inventor: **Kilian Stauss**, München (DE)

(73) Assignee: **Naber Holding GMBH & Co. KG**
(DE)

(**) Term: **15 Years**

(21) Appl. No.: **29/533,236**

(22) Filed: **Jul. 15, 2015**

(51) **LOC (10) Cl.** **09-09**

(52) **U.S. Cl.**
USPC **D34/5**

(58) **Field of Classification Search**
USPC D34/1-11; 220/908, 908.1, 262-264,
220/23.88
CPC B65F 1/163; B65F 1/08; B65F 1/1607;
B65F 1/1615; B65F 1/06; B65F
1/062; B65F 1/064
See application file for complete search history.

5,836,470 A * 11/1998 Neelly B65F 1/06
220/4.22

6,193,091 B1 * 2/2001 Olivetti B65F 1/006
220/23.86

6,662,748 B1 * 12/2003 Hanks A01K 1/0107
119/165

6,953,199 B2 * 10/2005 Malloy, III B65F 1/1468
220/629

7,114,629 B2 * 10/2006 Panek, Jr. B65F 1/1468
220/23.87

D564,723 S * 3/2008 Yang D34/9

D668,415 S * 10/2012 Decker D34/9

D677,850 S * 3/2013 Lapalme D34/9

8,662,345 B1 * 3/2014 Wang B65F 1/16
220/23.86

* cited by examiner

Primary Examiner — Cynthia Ramirez
(74) *Attorney, Agent, or Firm* — Polsinelli PC

(57) **CLAIM**

The ornamental design for a dustbin, as shown and described.

DESCRIPTION

FIG. 1 is a perspective view of a dustbin showing my new design;

FIG. 2 is a front view thereof;

FIG. 3 is a rear view thereof;

FIG. 4 is a right side view thereof, the left side being a mirror image thereof; and,

FIG. 5 is a top view thereof.

1 Claim, 5 Drawing Sheets

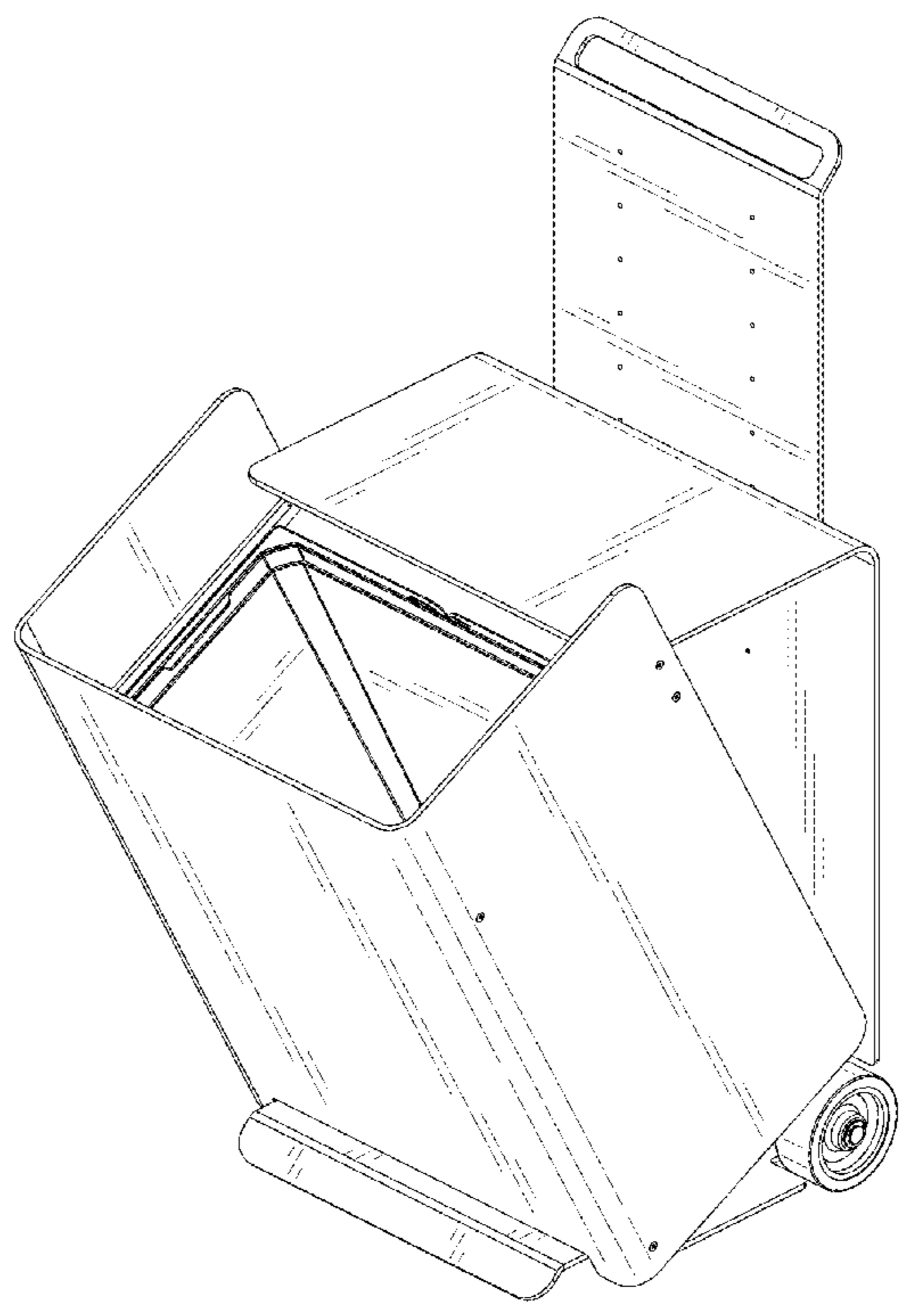
(56) **References Cited**

U.S. PATENT DOCUMENTS

4,406,395 A * 9/1983 Scoggins F23J 1/04
220/2

4,996,467 A * 2/1991 Day B65F 1/1638
318/283

5,511,682 A * 4/1996 Pace B65F 1/06
220/230



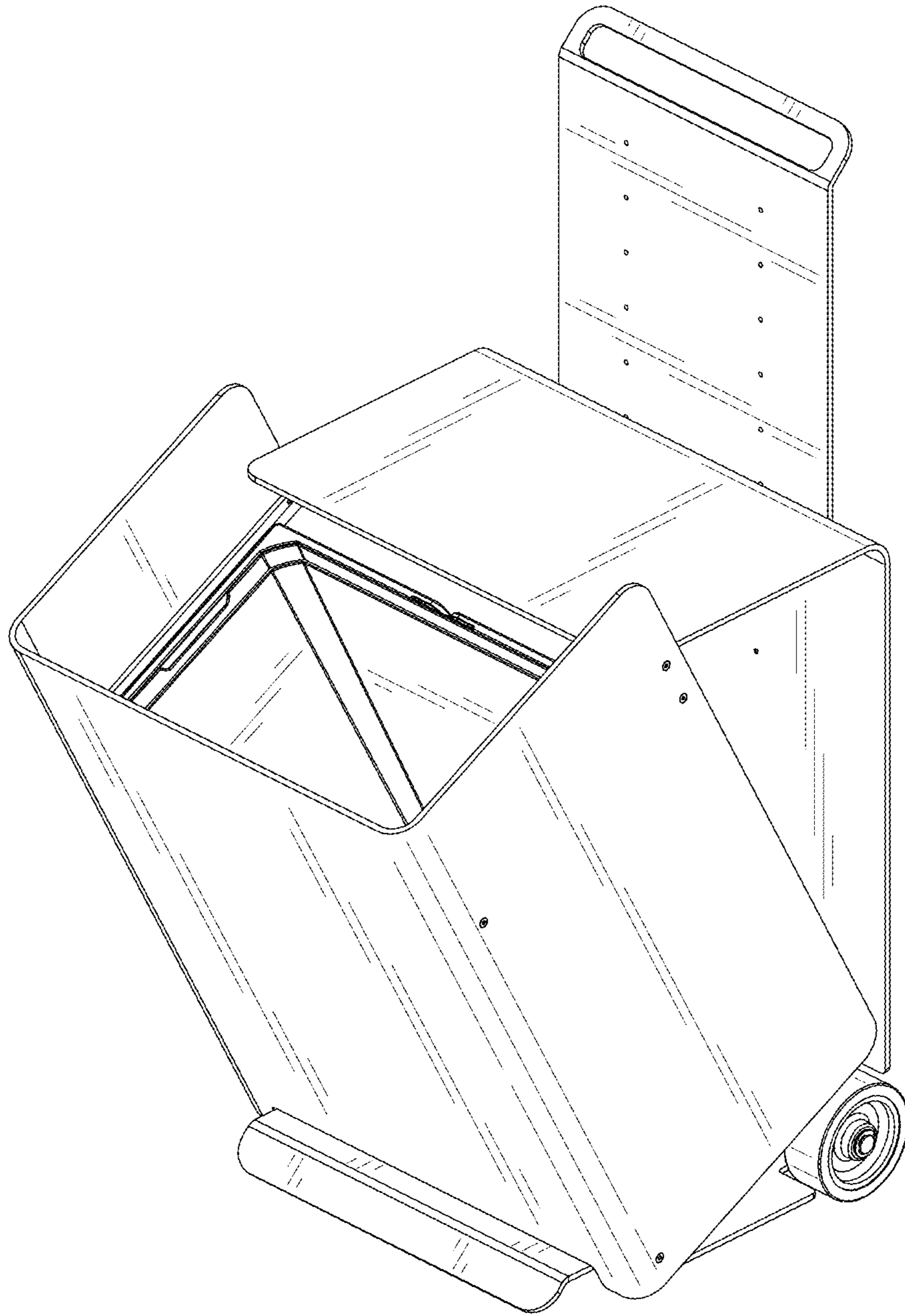


FIG. 1

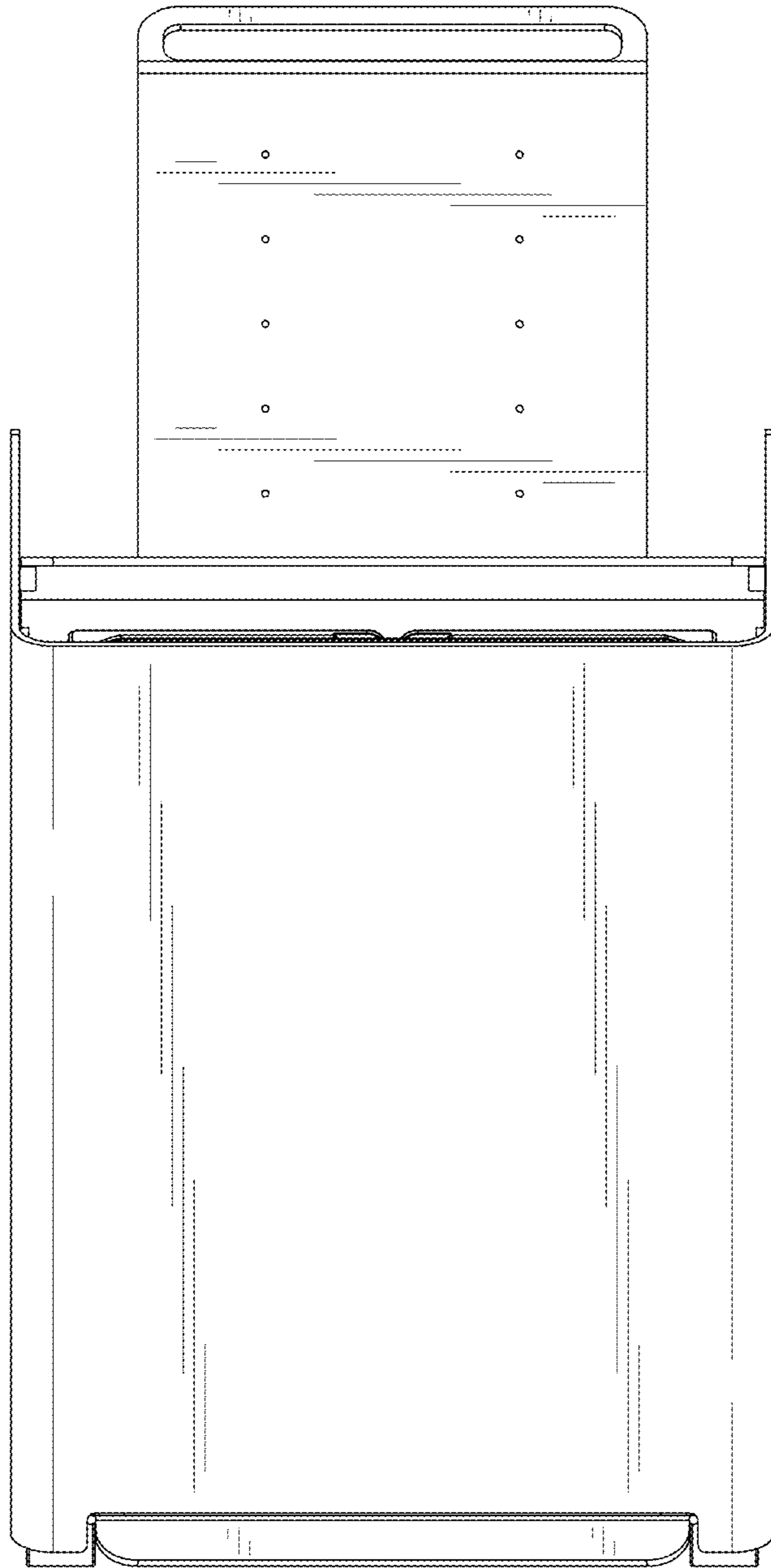


FIG. 2

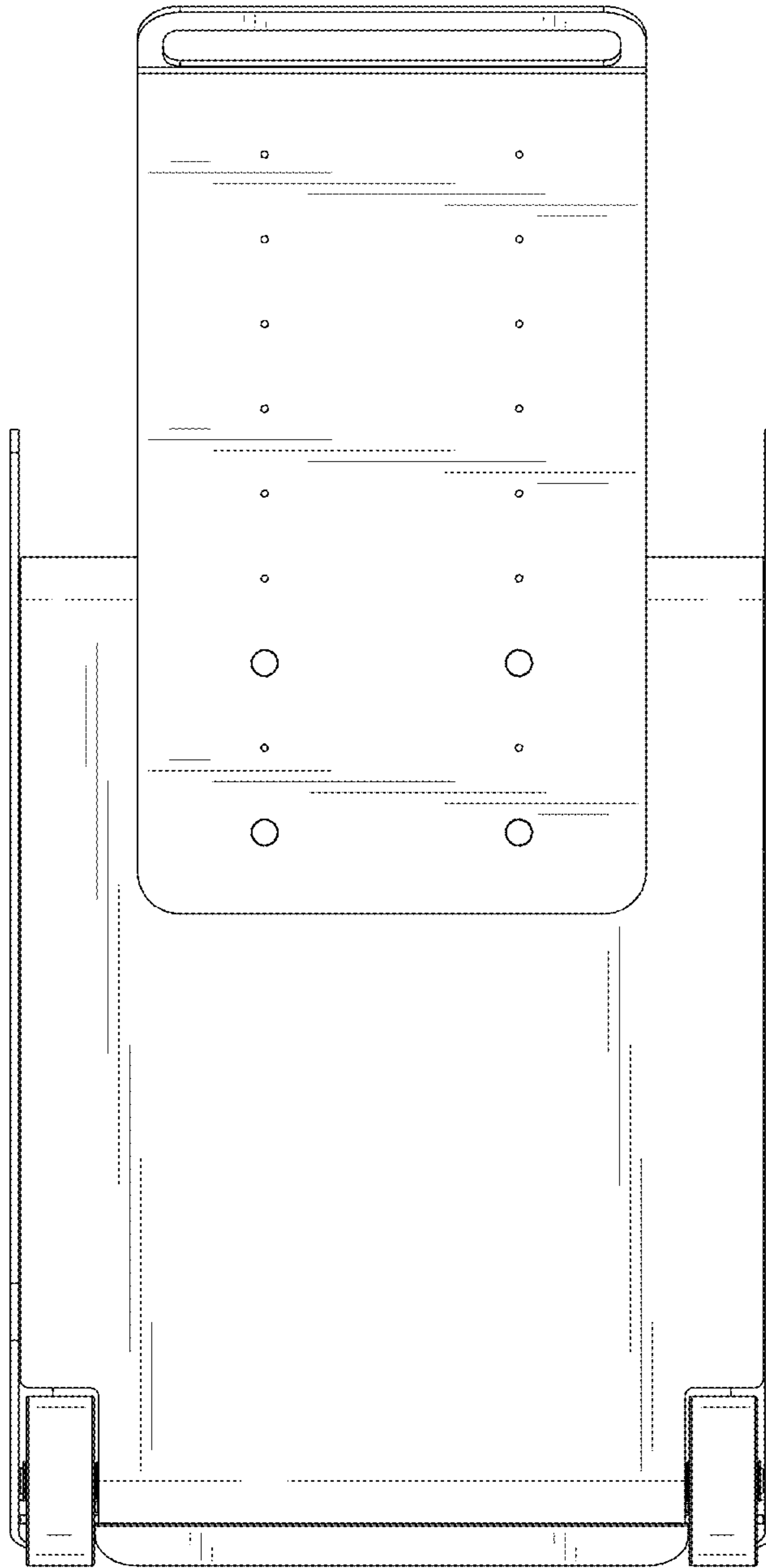


FIG. 3

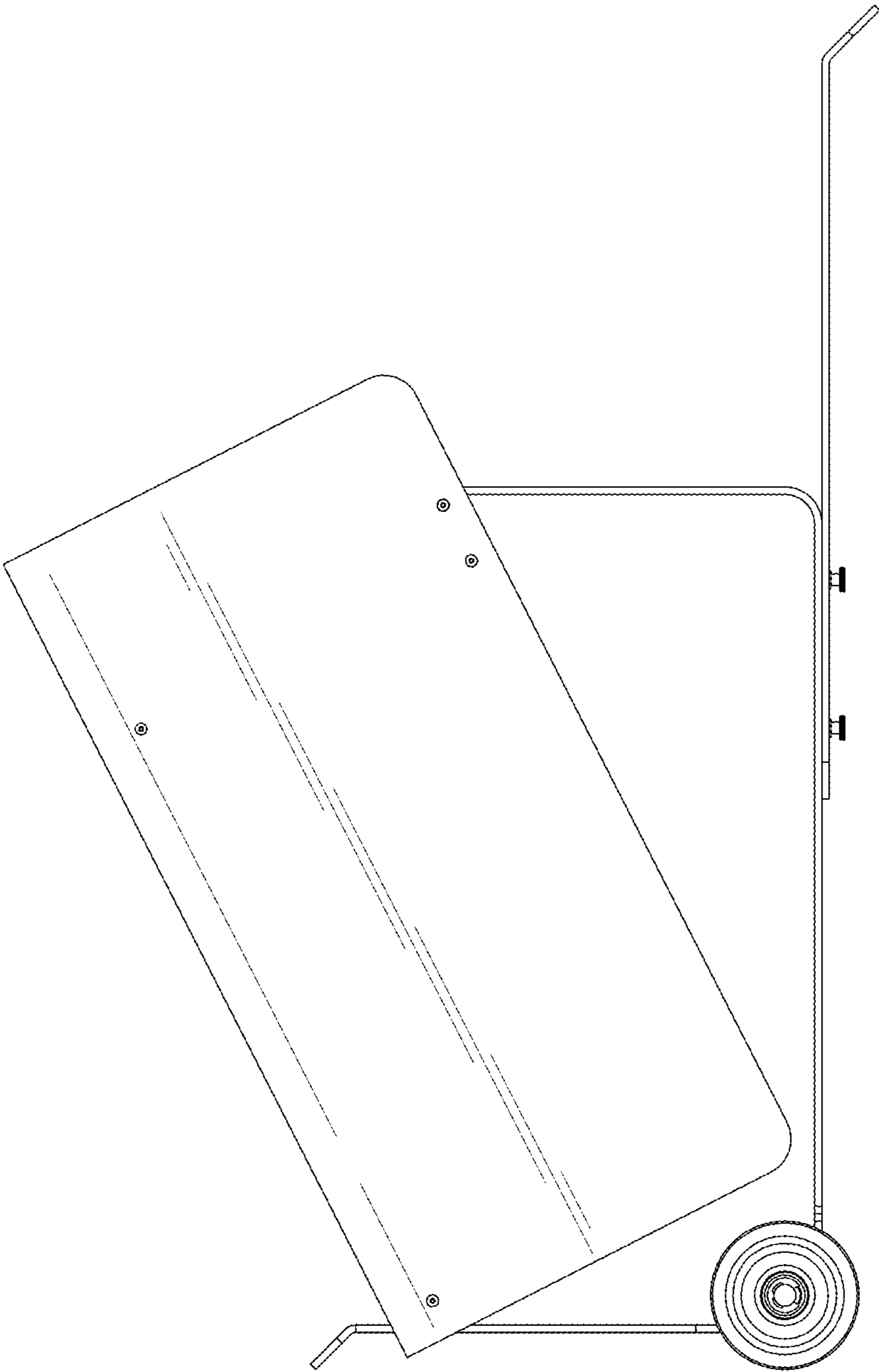


FIG. 4

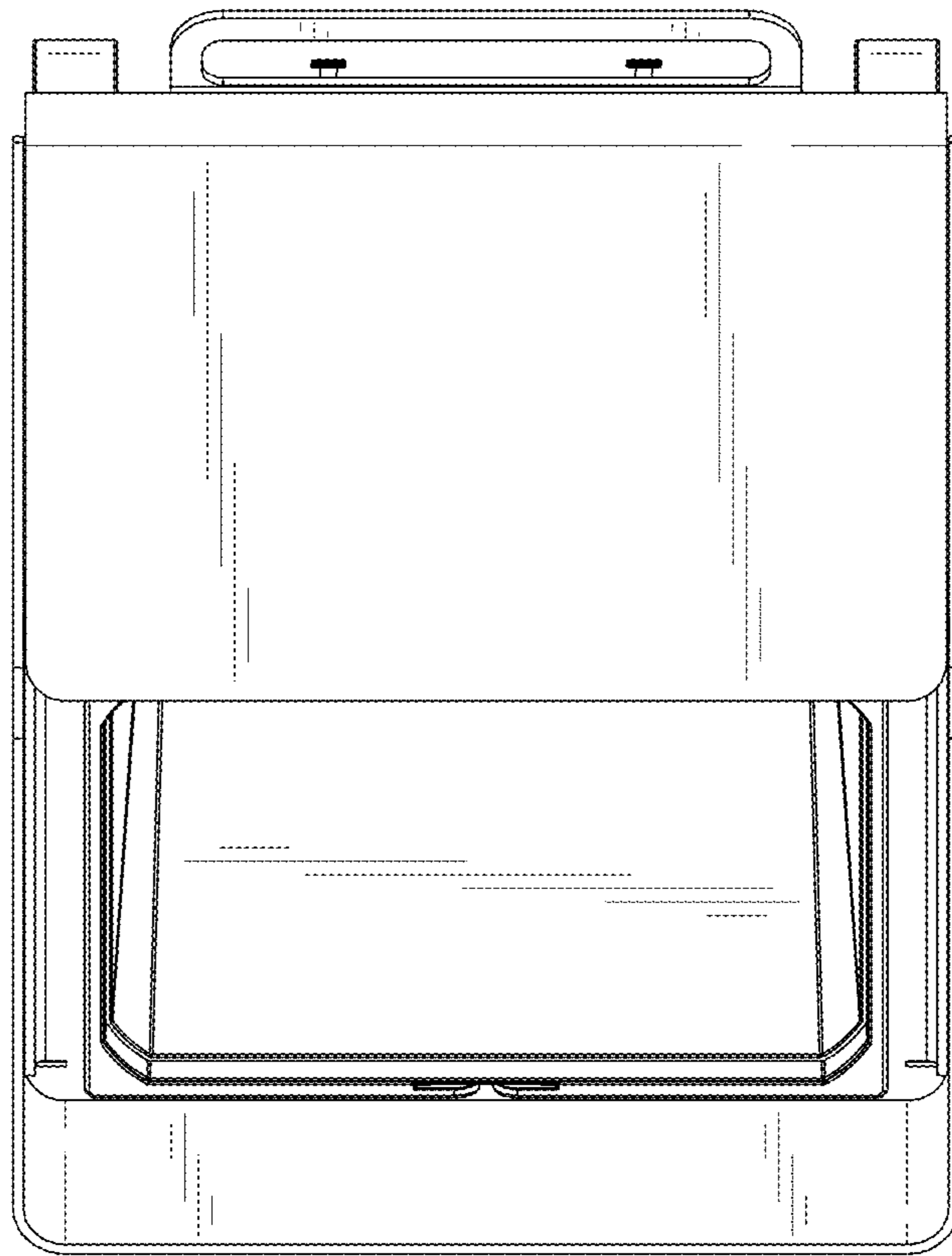


FIG. 5