



US00D776892S

(12) **United States Design Patent**  
**Stauss**

(10) **Patent No.:** **US D776,892 S**  
(45) **Date of Patent:** **\*\* Jan. 17, 2017**

- (54) **DUSTBIN**
- (71) Applicant: **Naber Holding GmbH & Co. KG**,  
Nordhorn (DE)
- (72) Inventor: **Kilian Stauss**, München (DE)
- (73) Assignee: **Naber Holdings GMBH & Co. KG**  
(DE)
- (\*\*) Term: **15 Years**
- (21) Appl. No.: **29/533,235**
- (22) Filed: **Jul. 15, 2015**
- (51) **LOC (10) Cl.** ..... **09-09**
- (52) **U.S. Cl.**  
USPC ..... **D34/5**
- (58) **Field of Classification Search**  
USPC ..... D34/1-11; 220/908, 908.1, 262-264,  
220/23.88  
CPC ..... B65F 1/163; B65F 1/08; B65F 1/1607;  
B65F 1/1615; B65F 1/06; B65F  
1/062; B65F 1/064  
See application file for complete search history.

- 5,836,470 A \* 11/1998 Neelly ..... B65F 1/06  
220/4.22
- 6,193,091 B1 \* 2/2001 Olivetti ..... B65F 1/006  
220/23.86
- 6,662,748 B1 \* 12/2003 Hanks ..... A01K 1/0107  
119/165
- 6,953,199 B2 \* 10/2005 Malloy, III ..... B65F 1/1468  
220/629
- 7,114,629 B2 \* 10/2006 Panek, Jr. .... B65F 1/1468  
220/23.87
- D564,723 S \* 3/2008 Yang ..... D34/9
- D668,415 S \* 10/2012 Decker ..... D34/9
- D677,850 S \* 3/2013 Lapalme ..... D34/9
- 8,662,345 B1 \* 3/2014 Wang ..... B65F 1/16  
220/23.86

\* cited by examiner

*Primary Examiner* — Cynthia Ramirez  
(74) *Attorney, Agent, or Firm* — Polsinelli PC

(57) **CLAIM**

The ornamental design for a dustbin, as shown and described.

**DESCRIPTION**

This application claims priority to European Patent Application No. 002614545 filed Jan. 15, 2015, which is incorporated by reference.

FIG. 1 is a perspective view of the dustbin showing my new design;

FIG. 2 is a right side view thereof;

FIG. 3 is a left side view thereof;

FIG. 4 is a top view thereof; and,

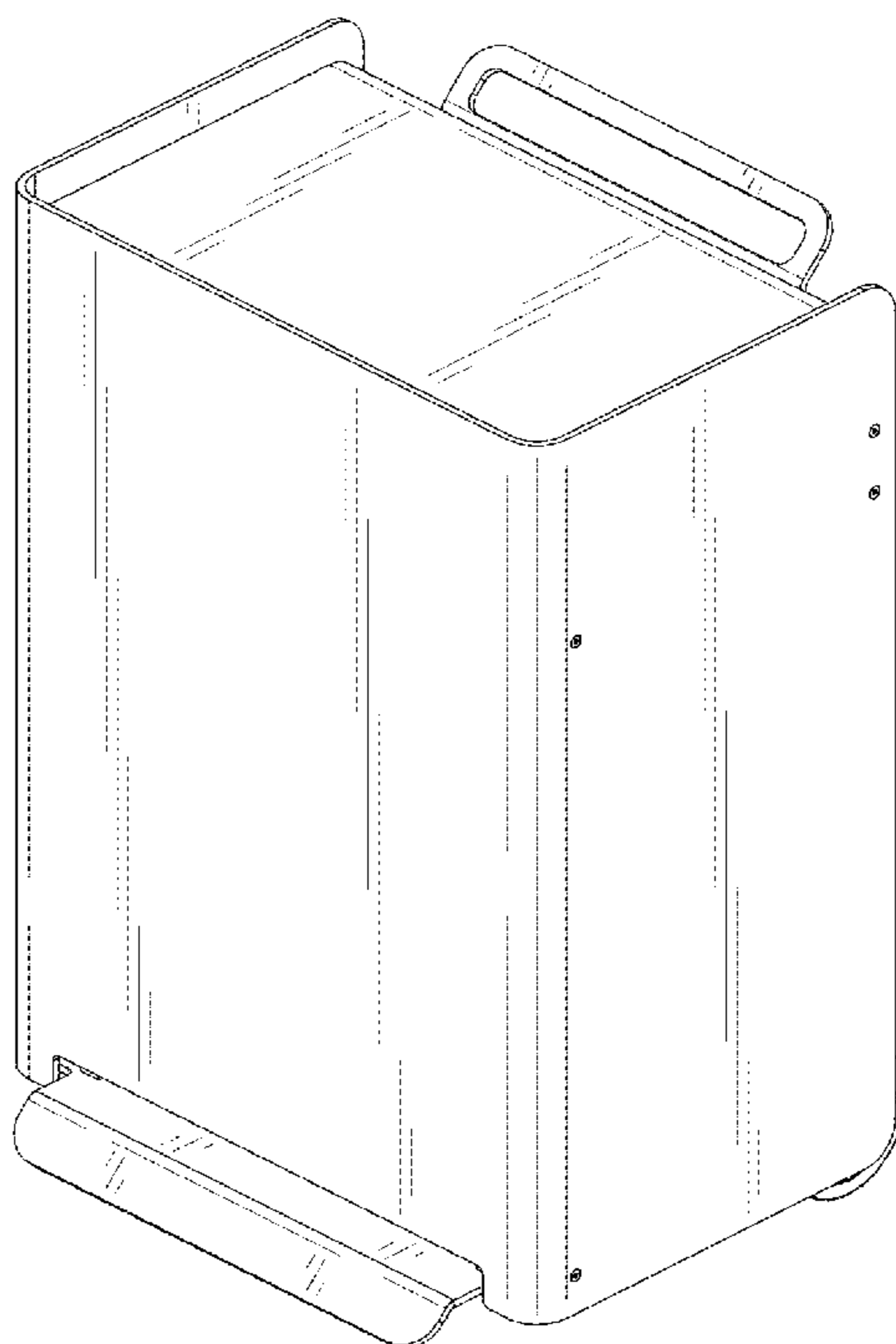
FIG. 5 is a rear view thereof.

**1 Claim, 5 Drawing Sheets**

(56) **References Cited**

**U.S. PATENT DOCUMENTS**

- 4,406,395 A \* 9/1983 Scoggins ..... F23J 1/04  
220/2
- 4,996,467 A \* 2/1991 Day ..... B65F 1/1638  
318/283
- 5,511,682 A \* 4/1996 Pace ..... B65F 1/06  
220/230



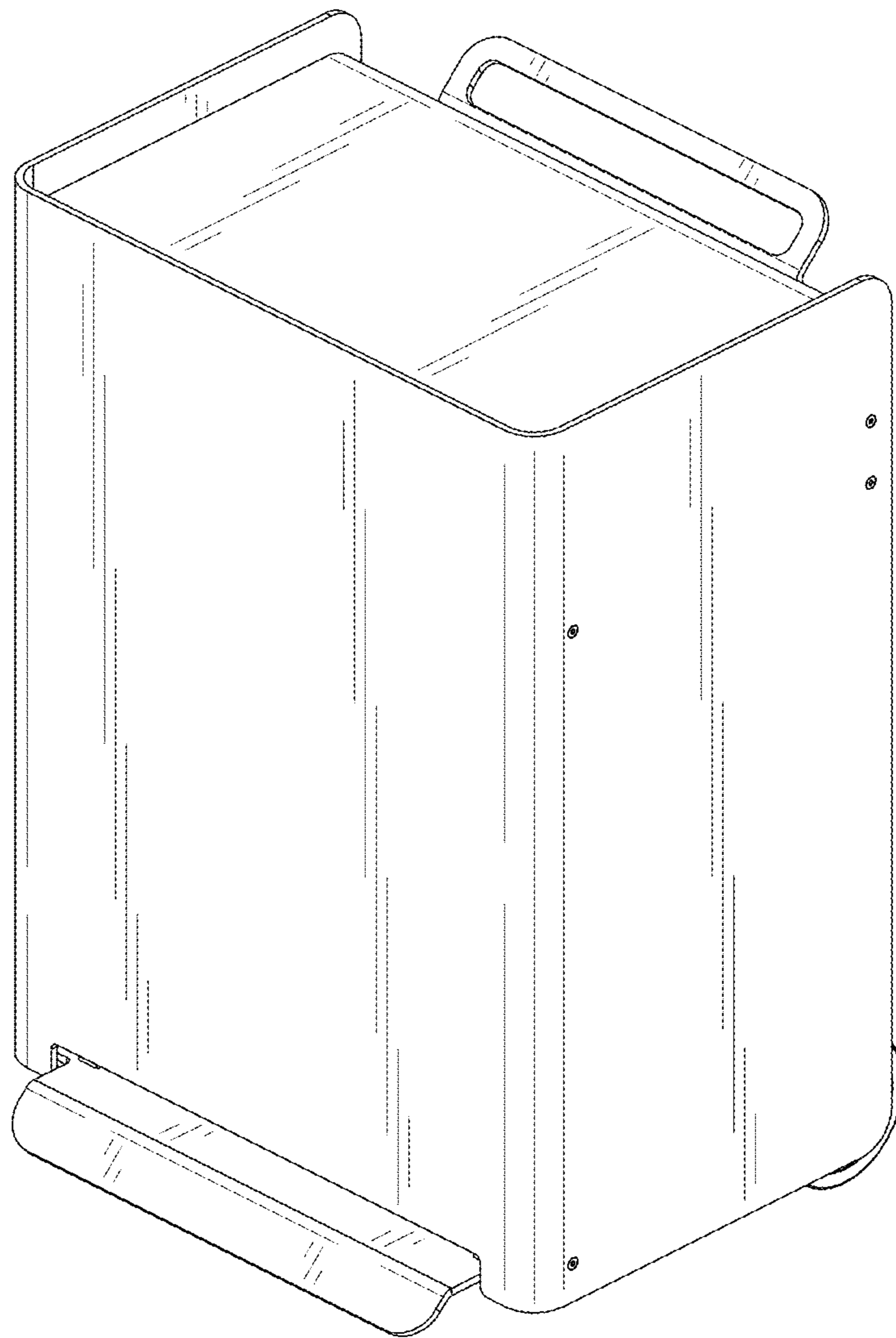


FIG. 1

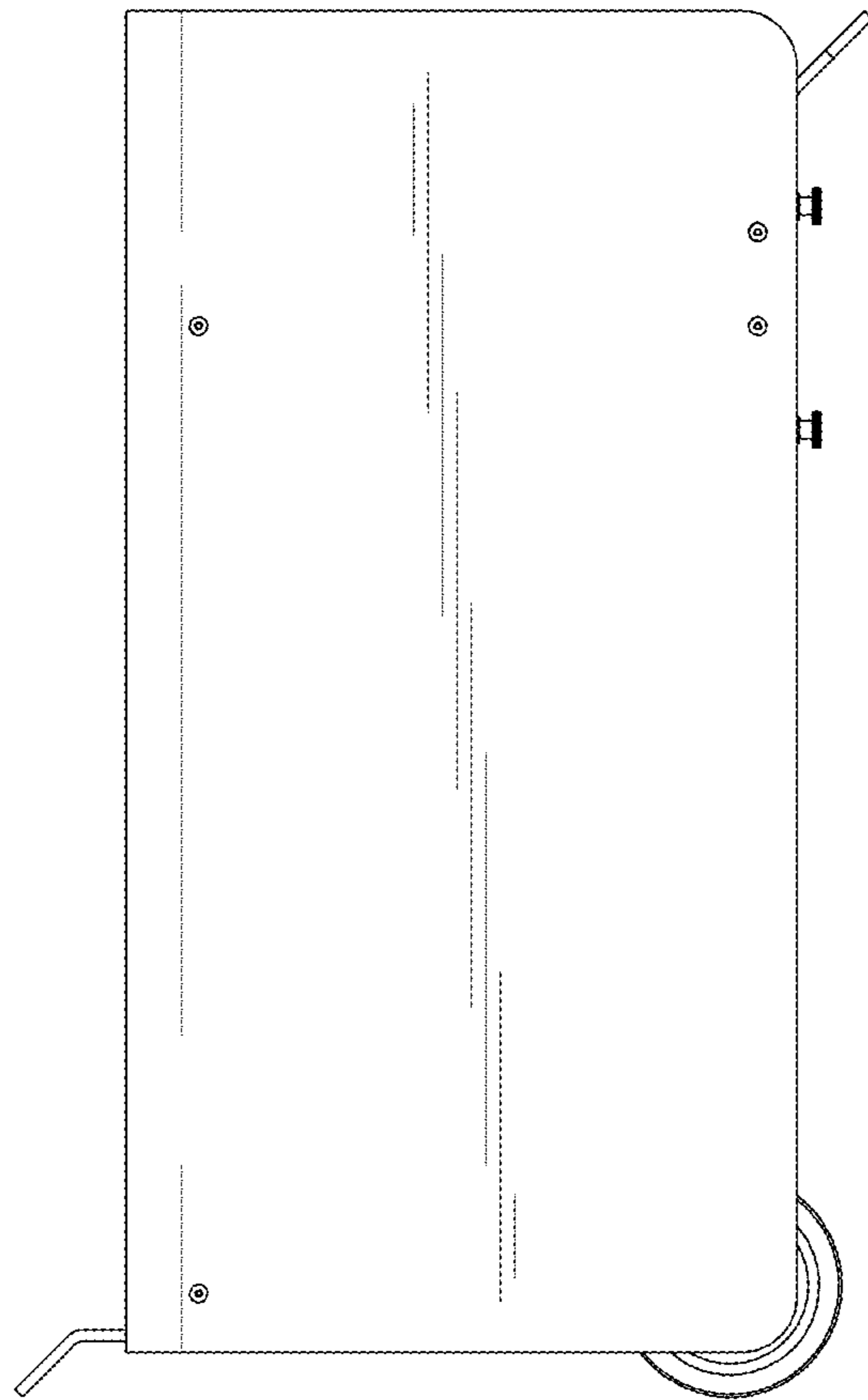


FIG. 2

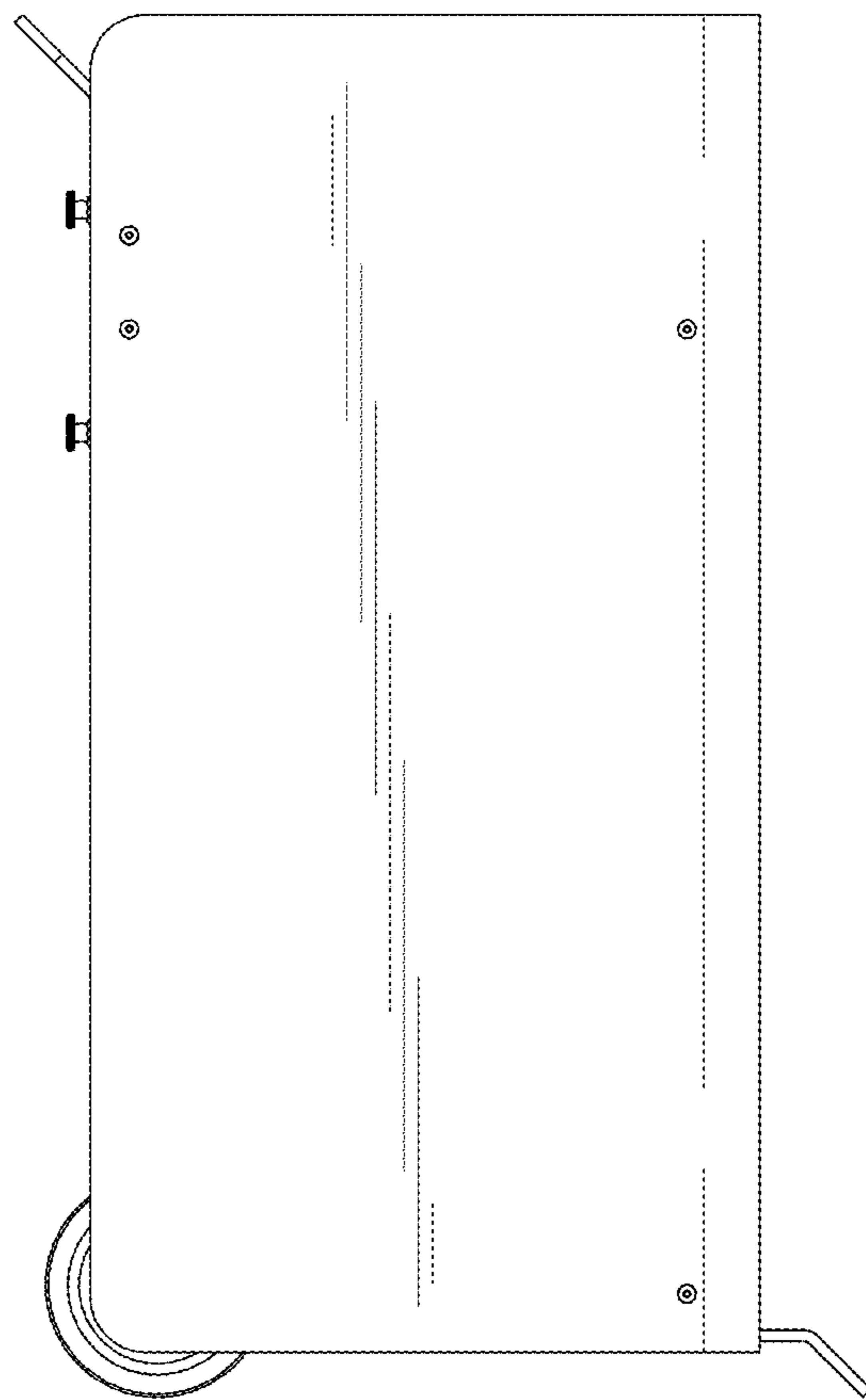


FIG. 3

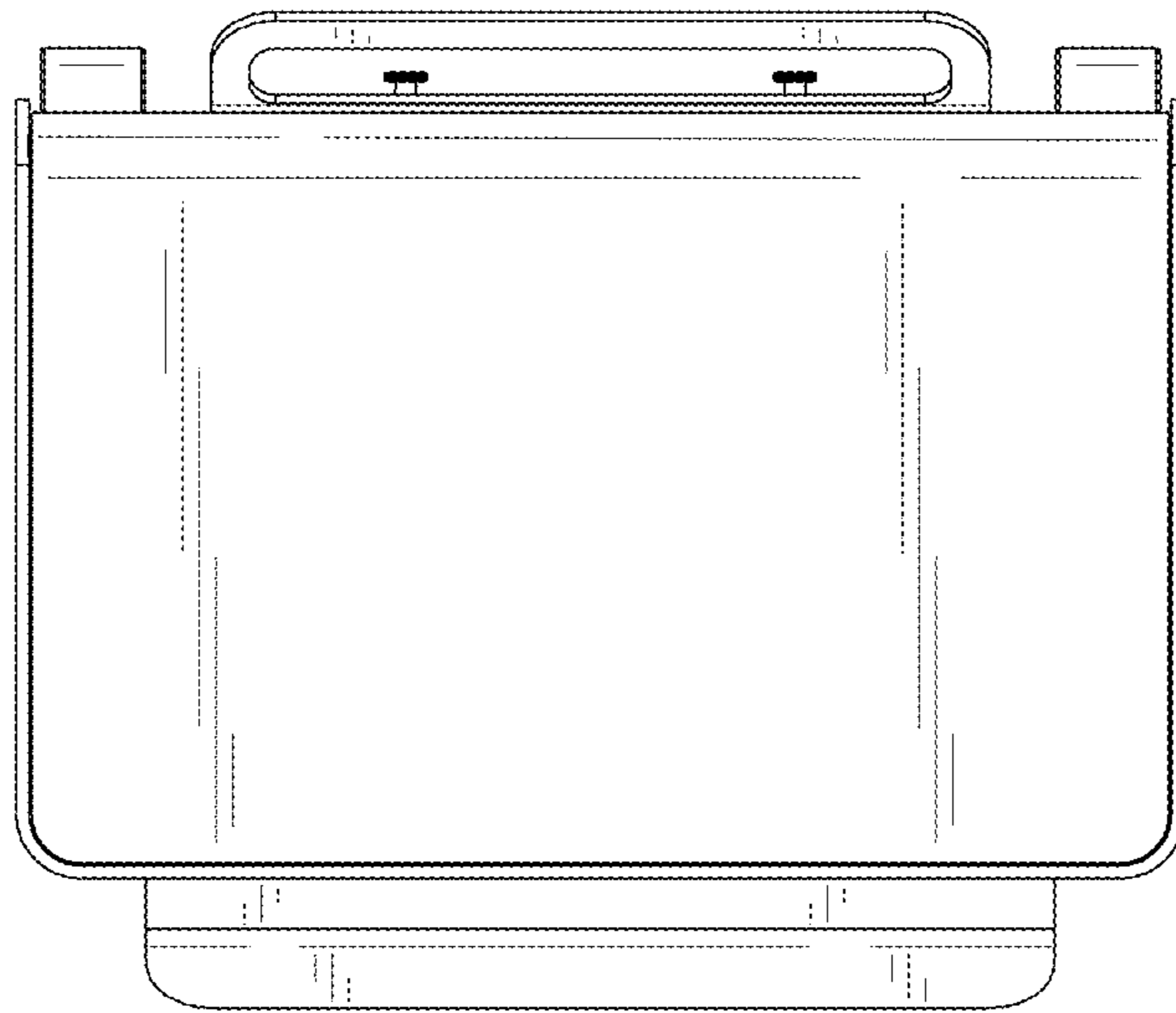


FIG. 4

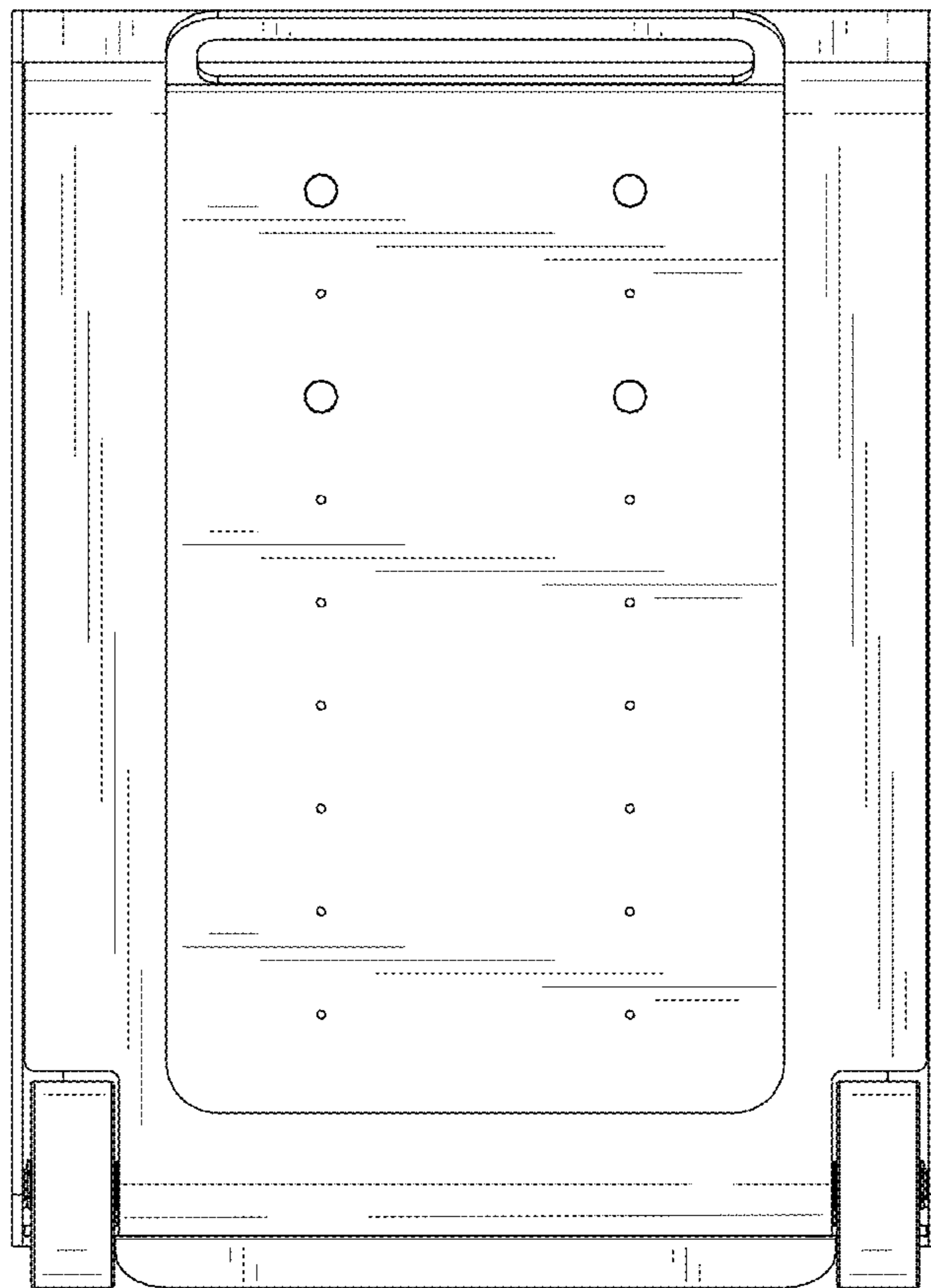


FIG. 5