



US00D776890S

(12) **United States Design Patent**
Reaux

(10) **Patent No.:** **US D776,890 S**

(45) **Date of Patent:** **** Jan. 17, 2017**

- (54) **HAND HELD SPONGE HANDLE**
- (71) Applicant: **Brian K. Reaux**, Red Oak, TX (US)
- (72) Inventor: **Brian K. Reaux**, Red Oak, TX (US)
- (73) Assignee: **Brian K. Reaux**, Red Oak, TX (US)
- (**) Term: **14 Years**
- (21) Appl. No.: **29/474,892**
- (22) Filed: **Mar. 9, 2015**
- (51) **LOC (10) Cl.** **04-01**
- (52) **U.S. Cl.**
USPC **D32/40**
- (58) **Field of Classification Search**
USPC D32/40-45, 50-52; D28/63; D9/719,
D9/723-725; D4/116, 119, 124
CPC A46D 3/00; A61F 2/44; A61F 15/00;
A47K 7/02; A47K 7/028; A46B
11/00; A61B 90/80; B01J 23/74; A47L
13/257; A47L 13/12
See application file for complete search history.

(56) **References Cited**

U.S. PATENT DOCUMENTS

- 294,295 A * 2/1884 Whiting A47L 13/257
15/244.1
- D33,153 S * 9/1900 Cornell D21/385
- D46,895 S * 2/1915 Campbell 30/169
- 1,532,904 A * 4/1925 Kingman A47L 13/022
15/228
- D99,485 S * 4/1936 Weber 15/143.1
- 2,674,758 A * 4/1954 Fay A46B 15/00
15/143.1
- 2,744,281 A * 5/1956 Zinggeler A47K 7/028
15/143.1

- 2,987,906 A * 6/1961 Bourland D06F 43/002
118/264
- 3,234,683 A * 2/1966 Christiansen A63H 17/262
446/103
- 3,579,859 A * 5/1971 Malenge A63F 9/06
40/437

(Continued)

FOREIGN PATENT DOCUMENTS

- CN 303002863 * 11/2014
- CN 303104306 * 2/2015

(Continued)

OTHER PUBLICATIONS

Amazon.com: Scrub Daddy Scratch Free Cleaning Tool, review date Dec. 22, 2012, <http://www.amazon.com/Scrub-Daddy-Scratch-Free-Cleaning/dp/B00A0VTTQU#customerReviews>, site visited May 17, 2016.*

(Continued)

Primary Examiner — John Windmuller
Assistant Examiner — John R Yeh

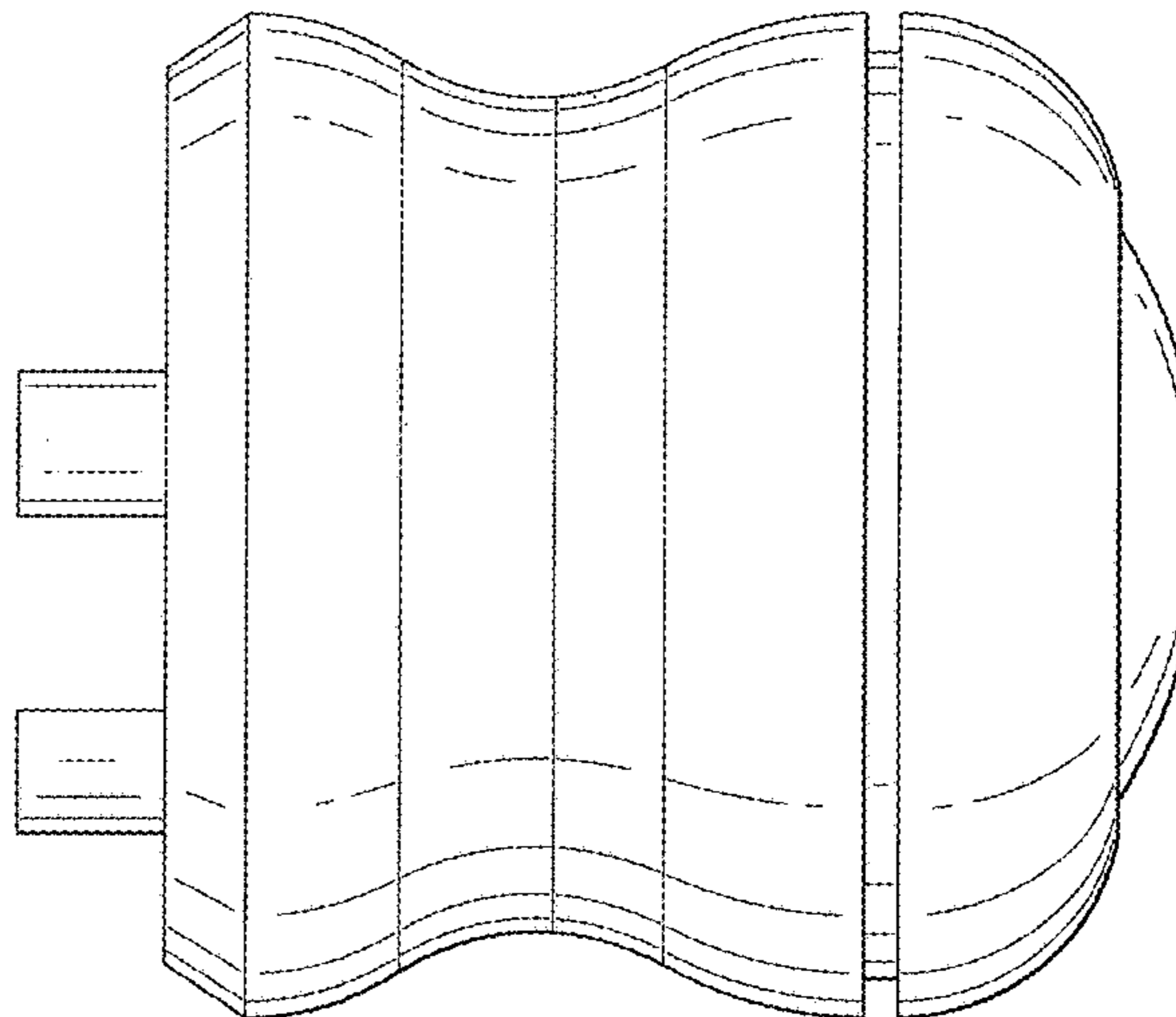
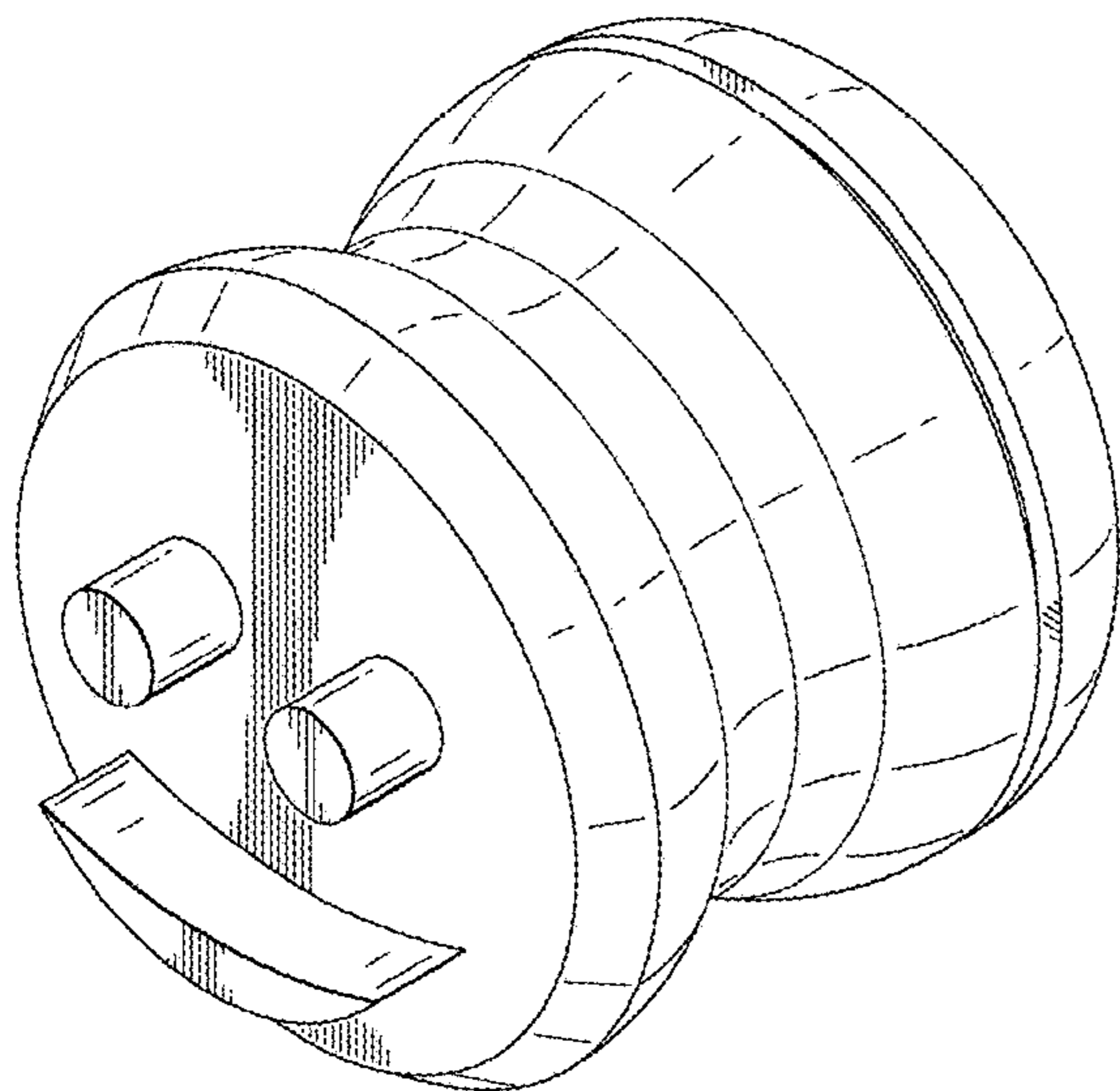
(57) **CLAIM**

The ornamental design for a hand held sponge handle, as shown and described.

DESCRIPTION

FIG. 1 is a front perspective view of my new design for a hand held sponge handle;
FIG. 2 is a front view thereof;
FIG. 3 is a rear view thereof;
FIG. 4 is a right side view thereof;
FIG. 5 is a left side view thereof;
FIG. 6 is a top view thereof;
FIG. 7 is a bottom view thereof; and,
FIG. 8 is a perspective view of my new design in use.
The broken lines in the figures show environment and form no part of the claimed design.

1 Claim, 8 Drawing Sheets



(56)

References Cited

U.S. PATENT DOCUMENTS

4,185,125 A * 1/1980 Sakakibara A23L 1/1613
426/439
D260,408 S * 8/1981 Ruffing D21/731
D277,686 S * 2/1985 Chatani D21/501
4,556,201 A * 12/1985 Turner E04F 11/1863
248/251
D291,258 S * 8/1987 Greer, Sr. D32/40
D294,202 S * 2/1988 Adair D32/45
D295,911 S * 5/1988 Zogg D32/40
D332,734 S * 1/1993 Fushiya D32/19
D332,841 S * 1/1993 Levison D28/63
D351,285 S * 10/1994 Joyner D28/63
D351,696 S * 10/1994 Adolf D28/63
D356,408 S * 3/1995 Adolf D28/63
D372,129 S * 7/1996 Chesnut D4/102
5,873,494 A * 2/1999 Dallas, Jr. B65D 81/3283
222/129
D411,368 S * 6/1999 Liu D32/42
D437,095 S * 1/2001 Osiecki D32/40
6,233,771 B1 * 5/2001 Hortel A46B 5/02
15/143.1
D446,898 S * 8/2001 Brewer D32/45
6,438,787 B1 * 8/2002 Young A47K 7/028
15/143.1
6,546,588 B1 * 4/2003 Black A47K 7/028
15/144.1
6,925,675 B1 * 8/2005 Trunecek A47L 1/16
15/236.01
D512,567 S * 12/2005 Eckhardt D32/52
D515,821 S * 2/2006 Gartner D32/52
D522,202 S * 5/2006 Huang D32/52
D554,315 S * 10/2007 Schouten D32/52
D571,515 S 6/2008 Krause et al.
D606,269 S 12/2009 Treeby et al.
D627,531 S * 11/2010 Benson D32/35
D653,828 S * 2/2012 Seehoff D32/52
D688,753 S * 8/2013 Holm D21/484
D690,892 S 10/2013 Krause
D701,923 S * 4/2014 Jensen D21/500
8,925,140 B1 * 1/2015 Troiani A47K 7/028
15/210.1
D752,873 S * 4/2016 Deluca D4/116
2001/0003694 A1 * 6/2001 Gudger A63H 33/04
446/85
2001/0046571 A1 * 11/2001 Eisner A46B 5/00
428/15
2004/0154256 A1 * 8/2004 Kim E04B 2/08
52/592.6
2014/0075699 A1 3/2014 Krause

FOREIGN PATENT DOCUMENTS

JP D1500587 * 9/2014
JP D1506008 * 9/2014

OTHER PUBLICATIONS

Montessori Materials Geometry Shape Sorter Cylinder Educational Toy Block Wood, website copyright 2016, https://goodwoodentoy.en.alibaba.com/...374032-801263888/8_Pieces_Montessori_Materials_Geometry_Shape_Sorter_Cylinder_Educational_Toy_Block_Wood_Teaching_Aids.html, [site visited May 26, 2016 9:05:00 PM].*

Unit-blocks CP813 2 Large Cylinders Standard Unit Wooden Blocks Set, <http://cpunitblocks.com/blocks.php/unit-blocks/same-shape-unit-blocks/cp813-2-large-cylinders-standa/lid=16054914>, [site visited May 26, 2016 9:00:05 PM].*

Etsy.com: 1950's Playskool Cobbler Bench Vintage Toy Wooden, https://www.etsy.com/listing/264602313/playskool-cobbler-bench-vintage-toy?ga_order=most_relevant&ga_search_type=vintage&ga_view_type=gallery&ga_search_query=playskool, [site visited May 27, 2016 5:57:23 PM].*

Amazon.com: Dawn 437918 Poly Dishwand with Scrubber, review date Dec. 3, 2014, http://www.amazon.com/Dawn-437918-Poly-Dishwand-Scrubber/dp/B00BE02NUA/ref=sr_1_9?ie=UTF8&qid=1464392413&sr=8-9&keywords=sponge+handle#customerReviews, [site visited May 27, 2016 7:45:16 PM].*

Amazon.com: The Daddy Caddy with Suction Base for Kitchen Sink, reviews 2016, https://www.amazon.com/Daddy-Caddy-Suction-Kitchen-White/dp/B01D5CCPJ8/ref=cm_cr_ar_p_d_product_top?ie=UTF8, [site visited Jul. 29, 2016 7:29:03 PM].*

Amazon.com: Scrub EZ Handle Fits Scrub Daddy Sponge, review 2016, https://www.amazon.com/Scrub-EZ-Handle-Sponge-Handles/dp/B01HM7TDE2/ref=sr_1_1_s_it?s=hpc&ie=UTF8&qid=1469834759&sr=1-1&keywords=scrub+ez+handle, [site visited Jul. 29, 2016 7:27:15 PM].*

Amazon.com: Casabella Smart Scrub Soap Dispensing Palm Sponge Brush, review date Apr. 14, 2013, [site visited Jul. 29, 2016], https://www.amazon.com/Casabella-Smart-Scrub-Dispensing-Sponge/dp/B0087D1JB6/ref=sr_1_212?ie=UTF8&qid=1469834302&sr=8-212&keywords=sponge+handle.*

'Shark Tank's' Scrub Daddy Sues, TMZ.com, <http://www.tz.com/2016/07/28/shark-tank-scrub-daddy-lawsuit/>, site visited Jul. 29, 2016.*

DIY Toy: Tin Can Stilts—Babble Dabble Do, article date Jan. 31, 2013, <http://babbledabledo.com/tin-can-stilts/>, [site visited Aug. 3, 2016 8:41:44 PM].*

* cited by examiner

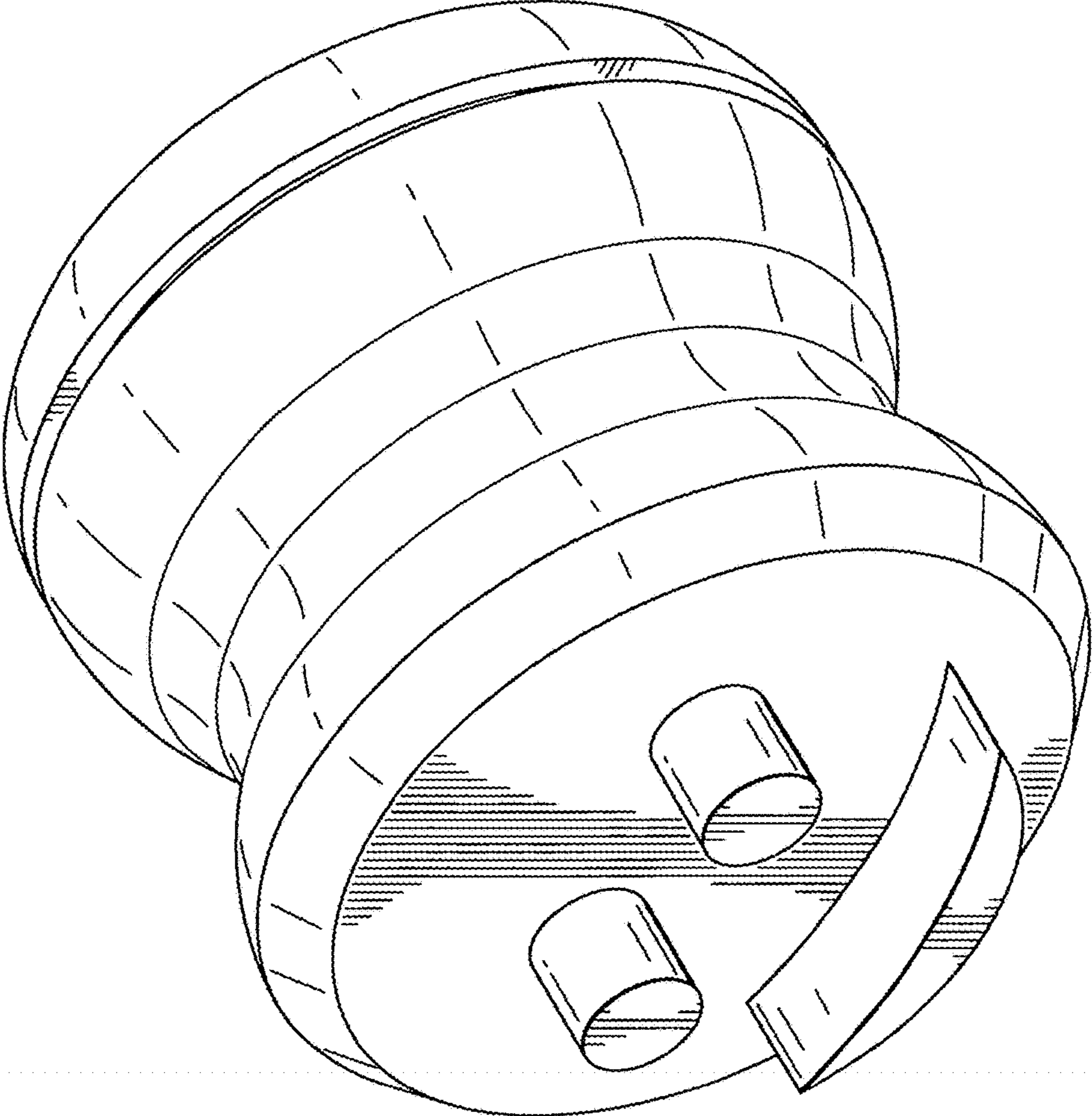


FIG. 1

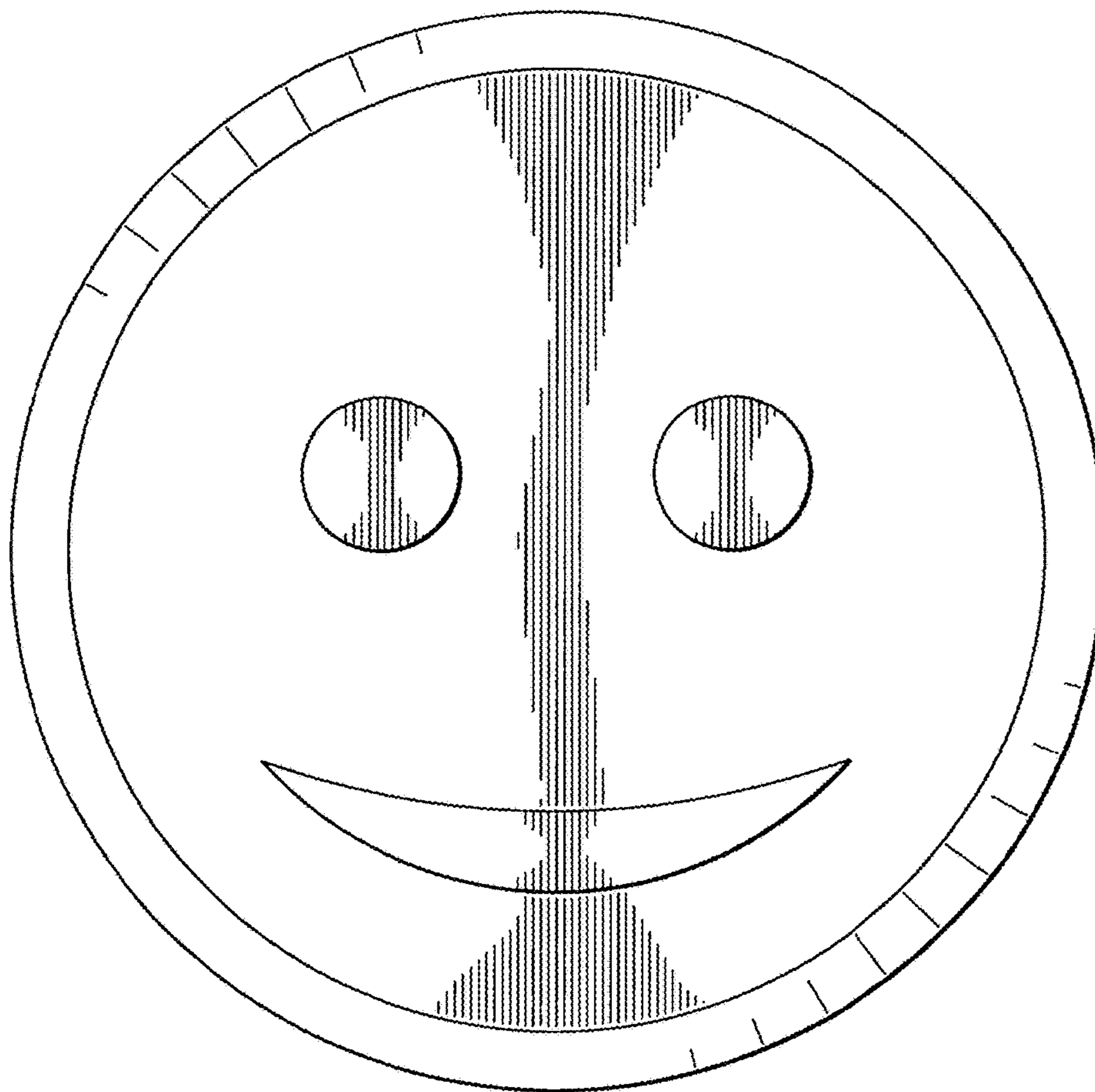


FIG. 2

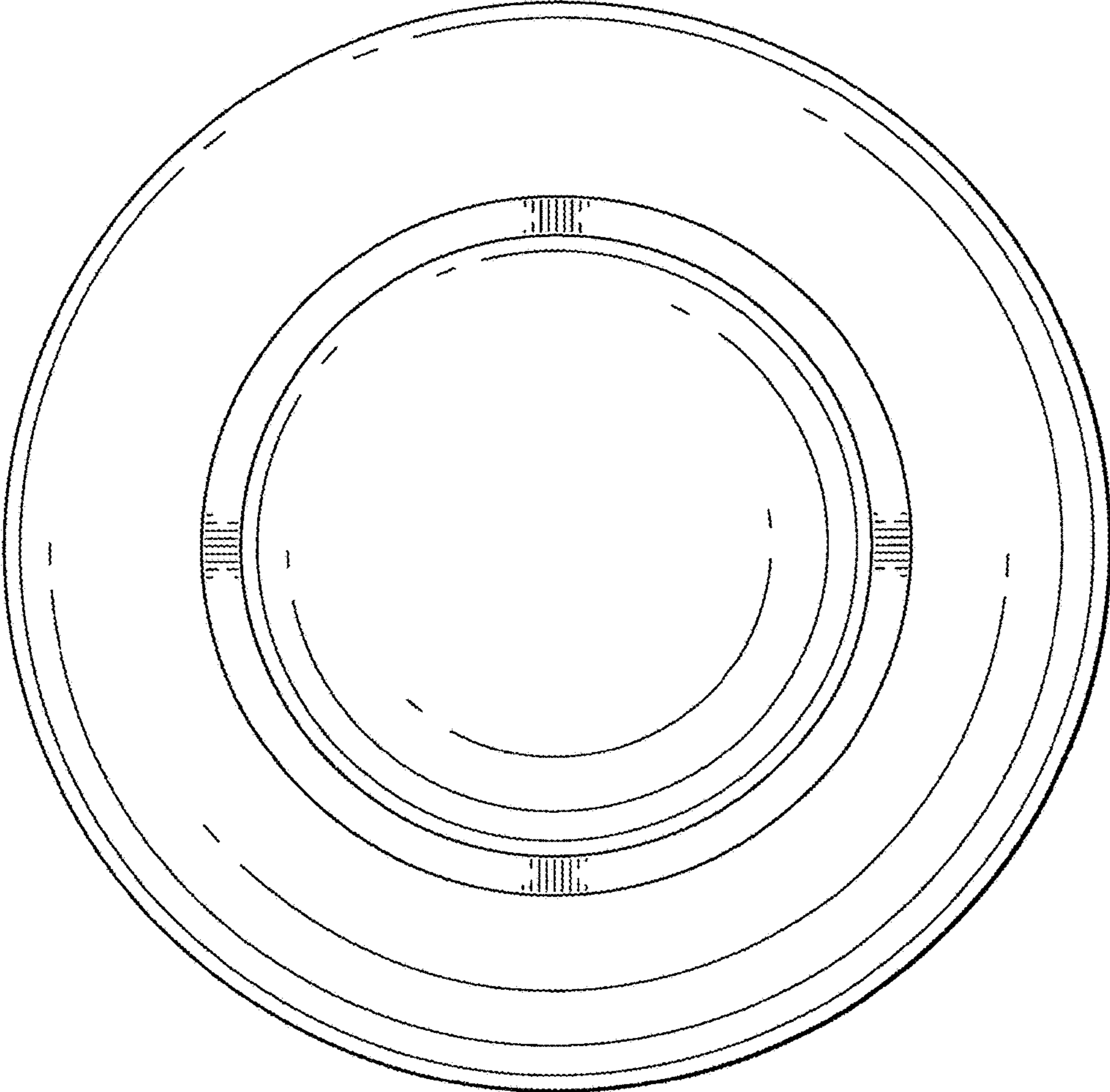


FIG. 3

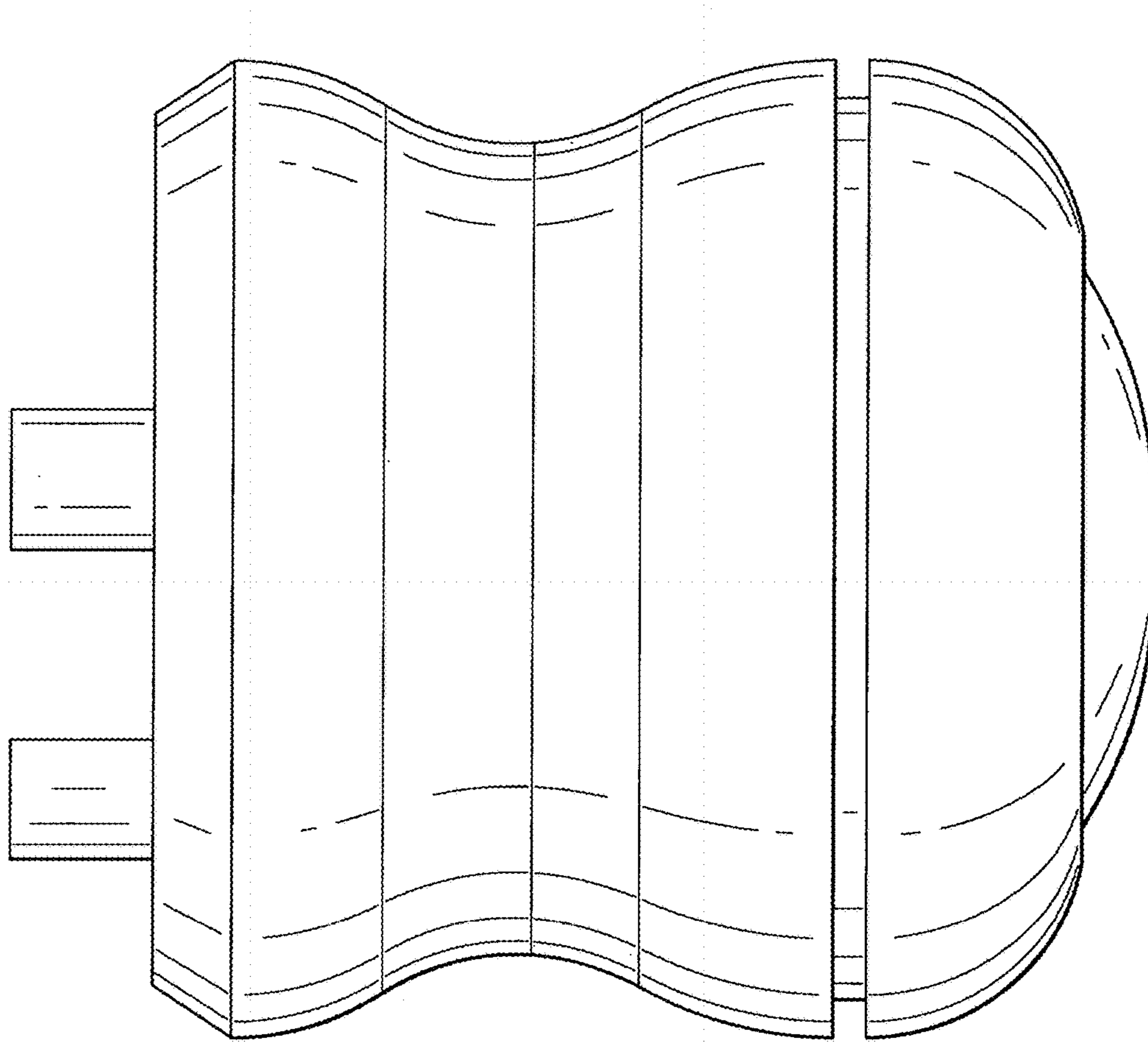


FIG. 4

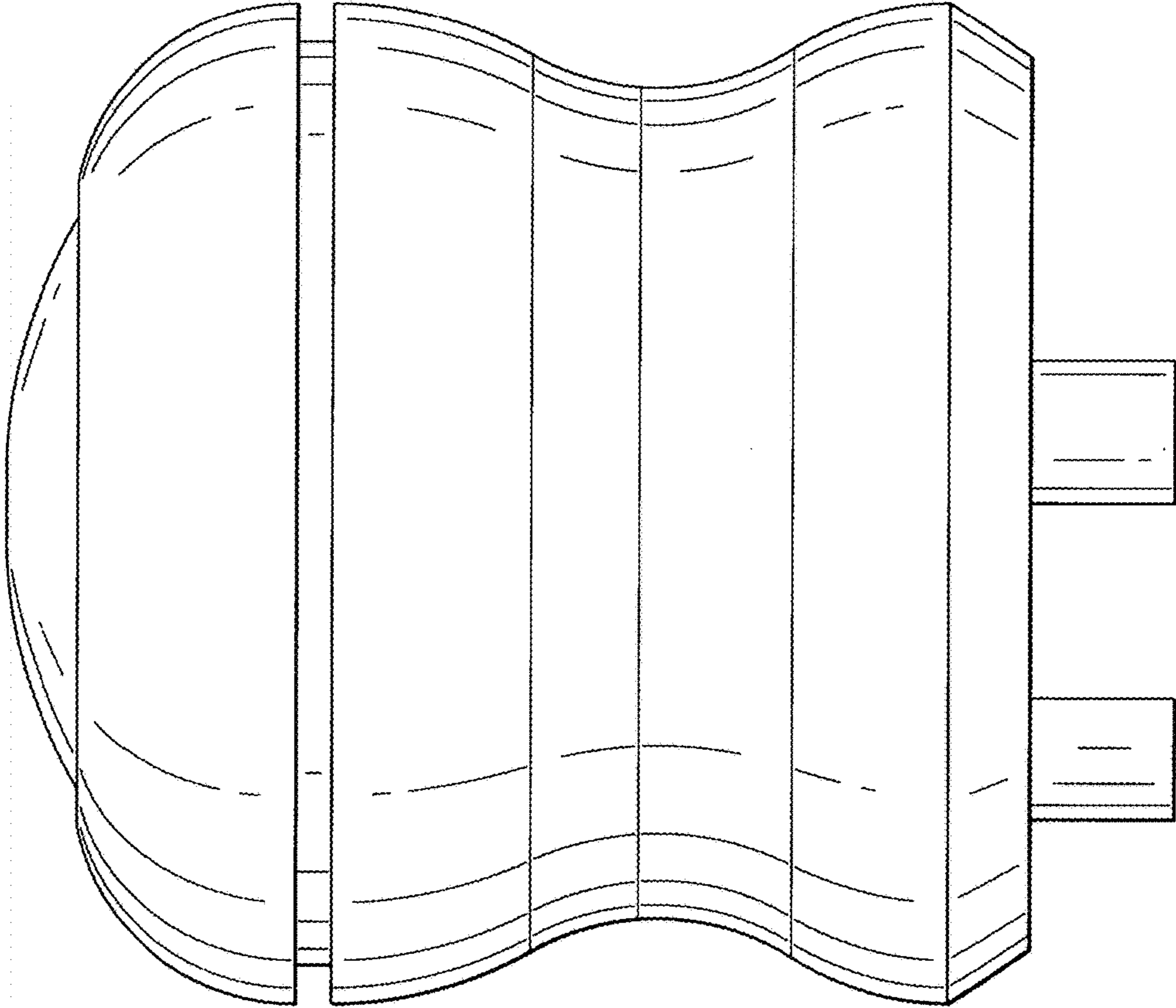


FIG. 5

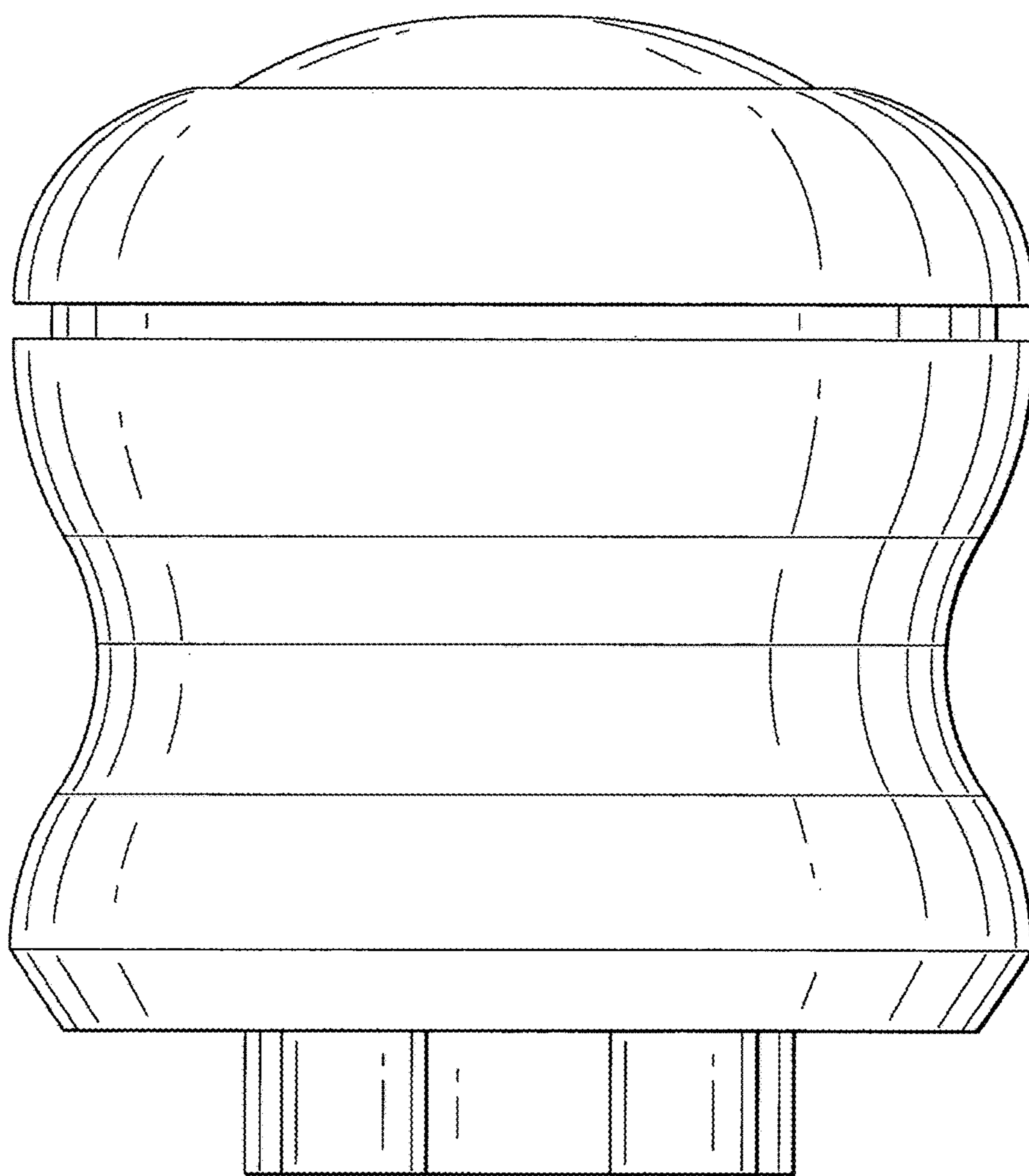


FIG. 6

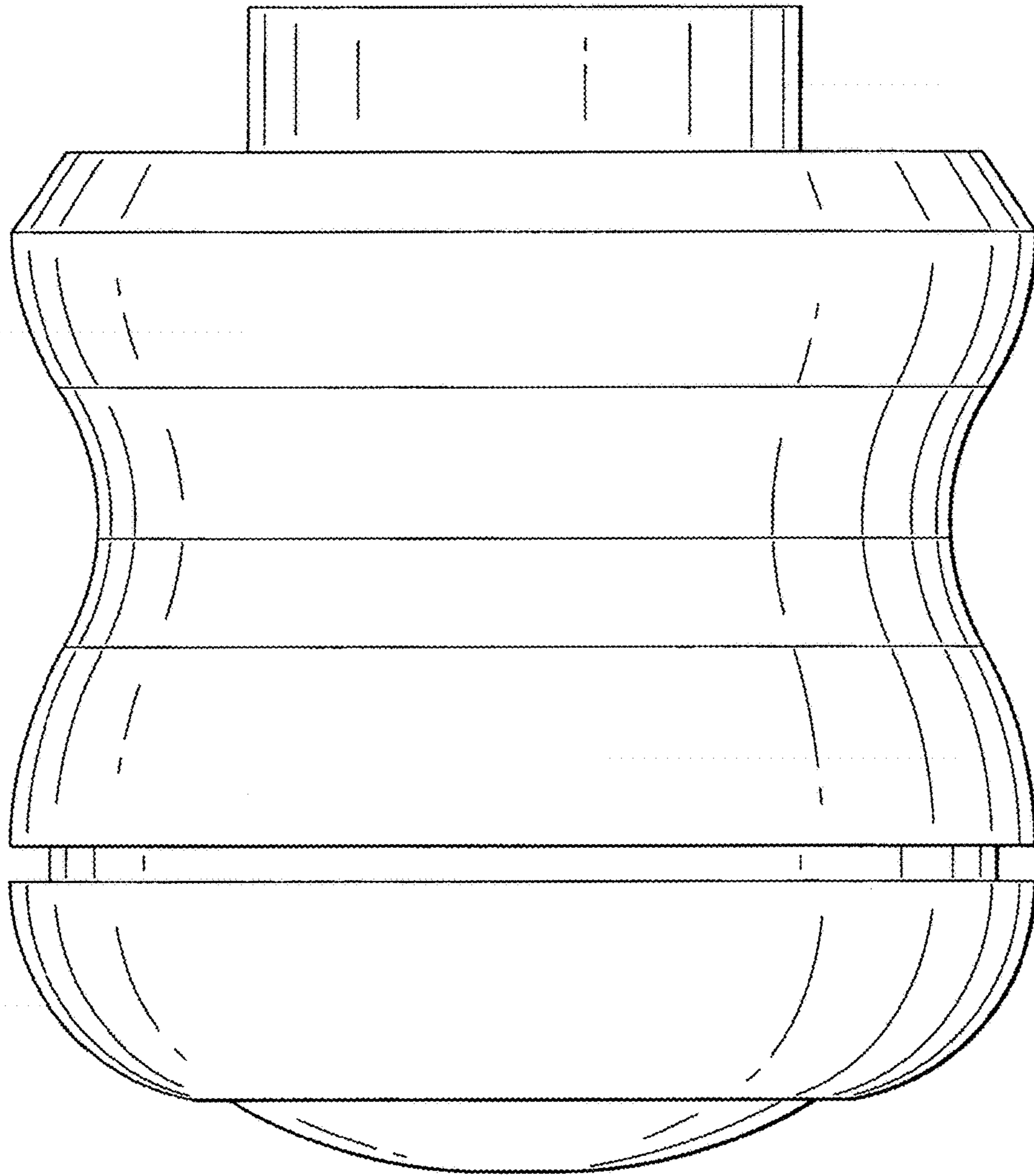


FIG. 7

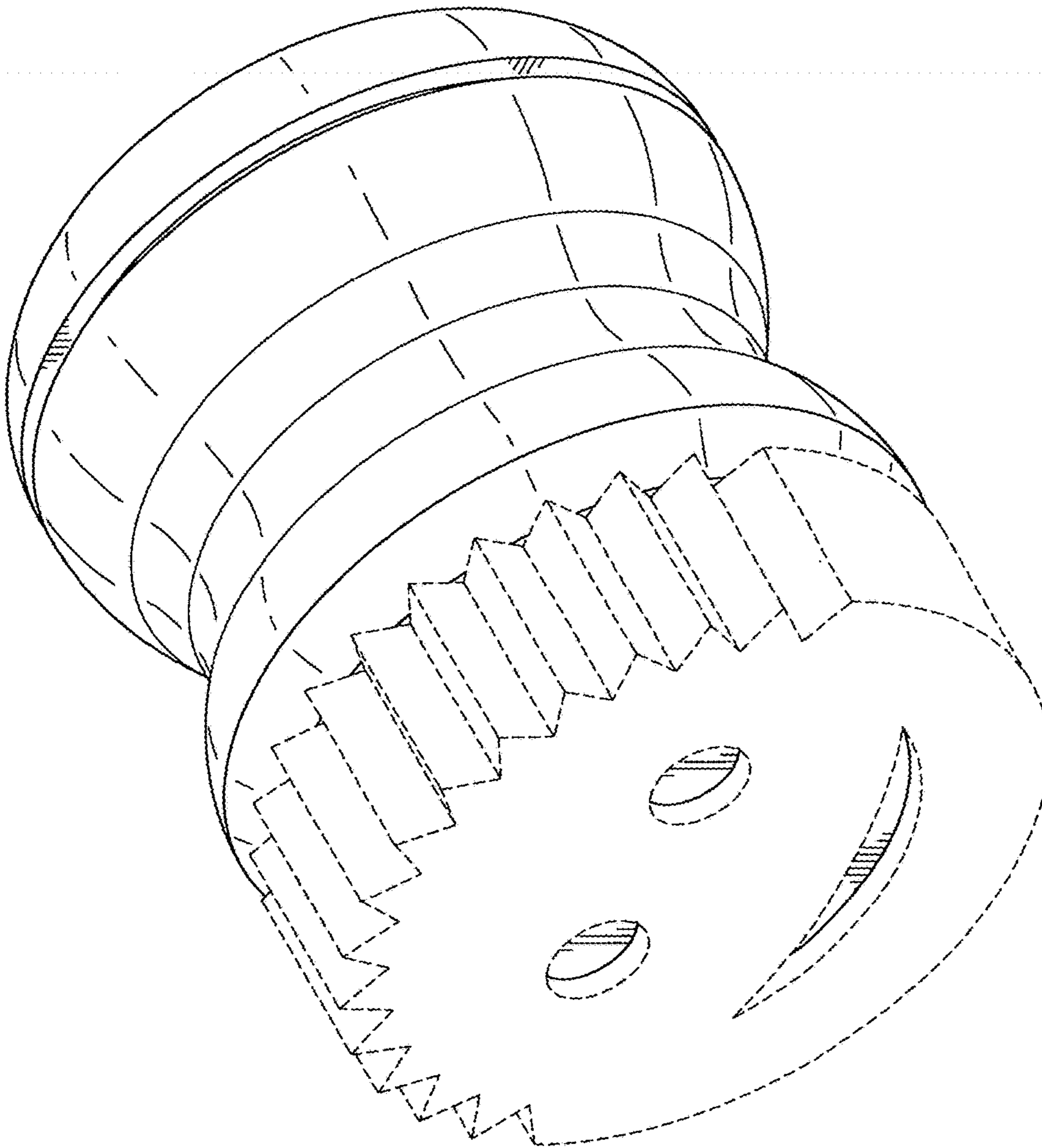


FIG. 8