



US00D776889S

(12) **United States Design Patent**
Yoneda et al.

(10) **Patent No.:** **US D776,889 S**
(45) **Date of Patent:** **** Jan. 17, 2017**

(54) **BRUSH FOR VACUUM CLEANER**
(71) Applicant: **Samsung Electronics Co., Ltd.**,
Suwon-si, Gyeonggi-do (KR)
(72) Inventors: **Atsuhiko Yoneda**, Warabi (JP);
Hirohisa Miyazaki, Tokyo (JP); **Norio**
Okada, Yokohama (JP); **Mitsuhiro**
Shigeri, Yokohama (JP); **Masato**
Suzuki, Saitama (JP)

2011/0138570 A1* 6/2011 Hsu A47L 7/02
15/383
2011/0150438 A1* 6/2011 Cho A47L 9/02
392/396
2013/0174374 A1* 7/2013 Guder A47L 9/02
15/415.1
2014/0033468 A1* 2/2014 Guder A47L 9/0673
15/415.1
2014/0033473 A1* 2/2014 McVey A47L 9/02
15/415.1

(Continued)

(73) Assignee: **SAMSUNG ELECTRONICS CO., LTD.**,
Suwon-si, Gyeonggi-Do (KR)

FOREIGN PATENT DOCUMENTS

(**) Term: **15 Years**

CN 3591062 2/2006
CN 300943008 6/2009

(21) Appl. No.: **29/528,087**

OTHER PUBLICATIONS

(22) Filed: **May 26, 2015**

<http://www.dyson.com.sg/vacuums/cordless-vacuums/dc62.aspx>,
date on copy: Feb. 18, 2016.

(30) **Foreign Application Priority Data**

Dec. 3, 2014 (KR) 30-2014-0058678

Primary Examiner — Ruth McInroy

(51) **LOC (10) Cl.** **15-05**

(74) *Attorney, Agent, or Firm* — Ladas & Parry LLP

(52) **U.S. Cl.**
USPC **D32/32**

(58) **Field of Classification Search**
USPC D32/25, 31–33
CPC A47L 9/02; A47L 9/06; A47L 5/28;
A47L 5/24; A47L 11/4044; E04H 4/1654;
E04H 4/34
See application file for complete search history.

(57) **CLAIM**

We claim the ornamental design for the brush for vacuum cleaner, as shown and described.

(56) **References Cited**

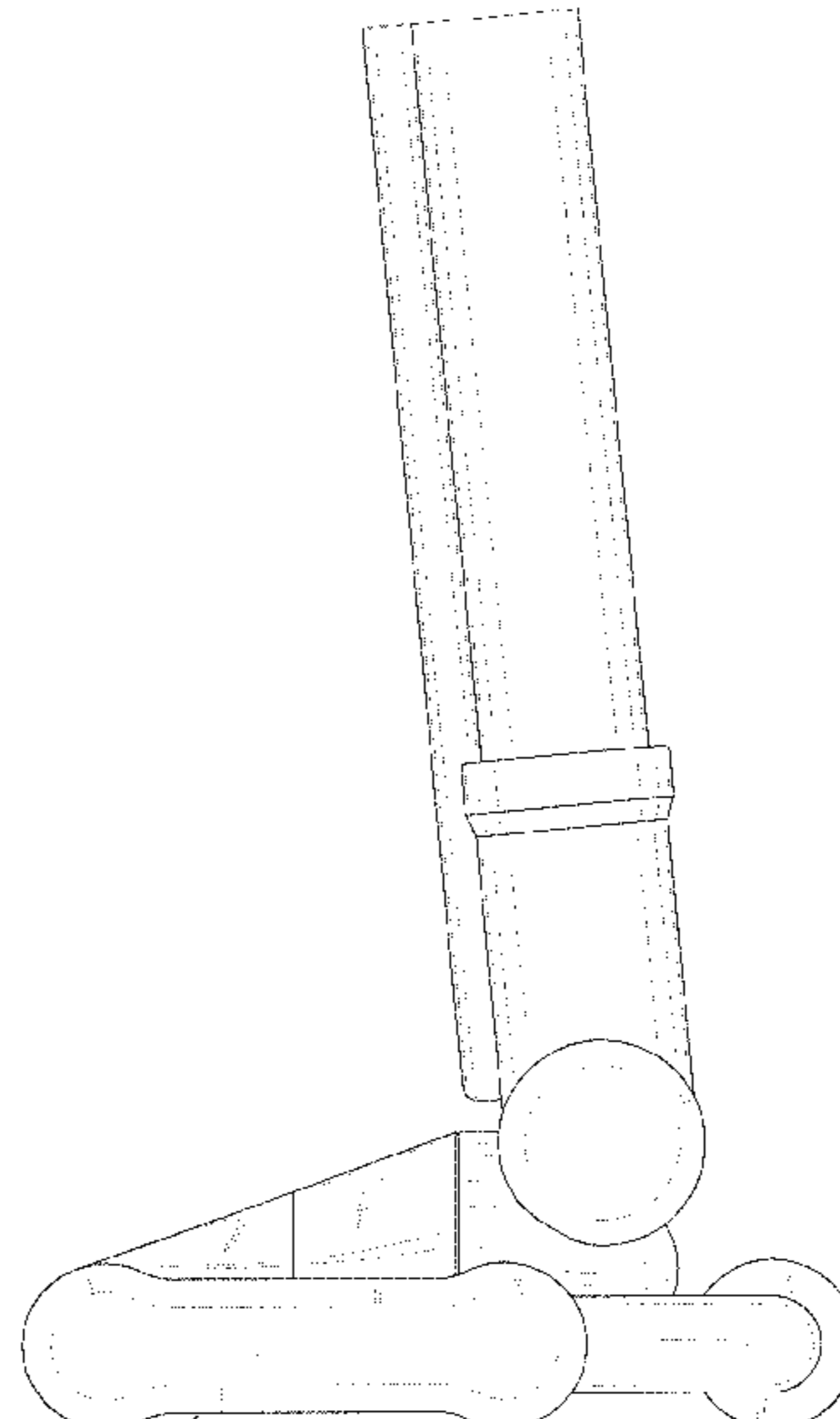
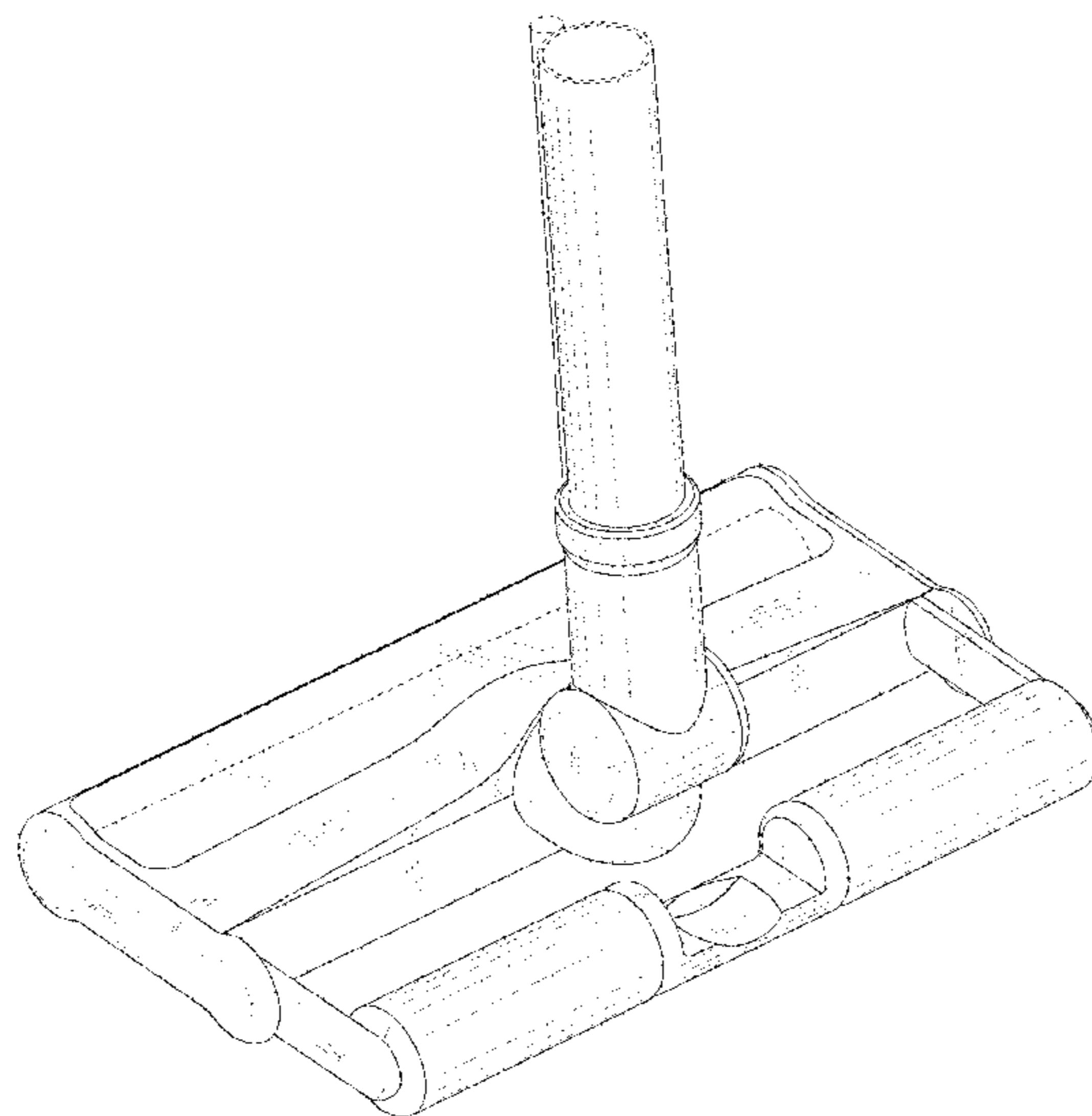
U.S. PATENT DOCUMENTS

D564,720 S * 3/2008 Dyson D32/32
D629,982 S * 12/2010 Rossano D32/33
D691,340 S * 10/2013 Bruneel D32/32
D698,510 S * 1/2014 Chu D32/32
D712,103 S * 8/2014 Guder D32/32

DESCRIPTION

FIG. 1 is the front perspective view of the brush for vacuum cleaner showing our new design;
FIG. 2 is the front view thereof;
FIG. 3 is the rear view thereof;
FIG. 4 is the left-side view thereof;
FIG. 5 is the right-side view thereof;
FIG. 6 is the top plan view thereof; and,
FIG. 7 is the bottom plan view thereof.
The broken lines in the drawing show unclaimed environment only and form no part of the claimed design.

1 Claim, 7 Drawing Sheets



(56)

References Cited

U.S. PATENT DOCUMENTS

2014/0196250 A1* 7/2014 Morgan A47L 5/30
15/391
2015/0265115 A1* 9/2015 Gray A47L 9/02
15/415.1

* cited by examiner

FIG. 1

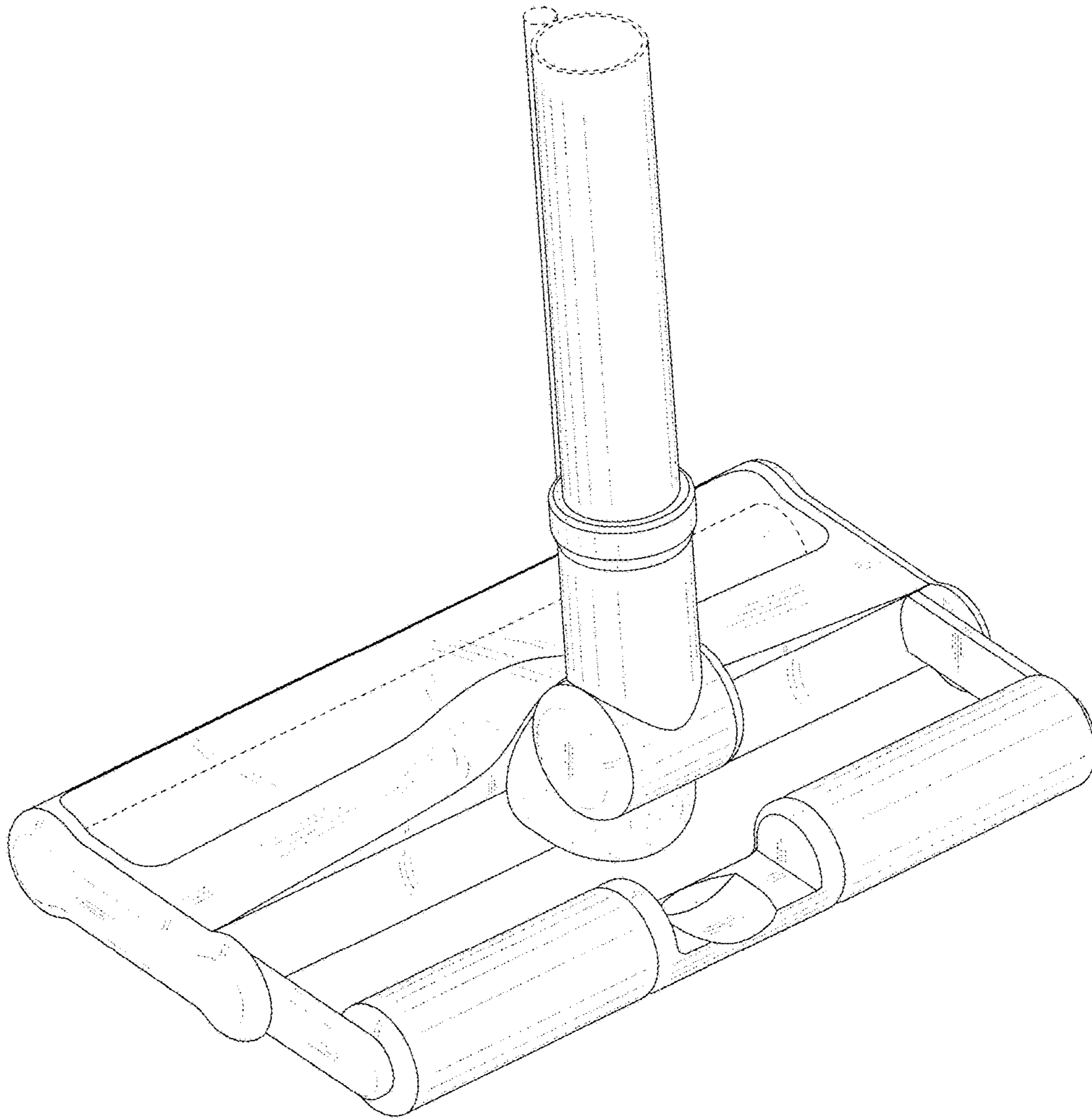


FIG. 2

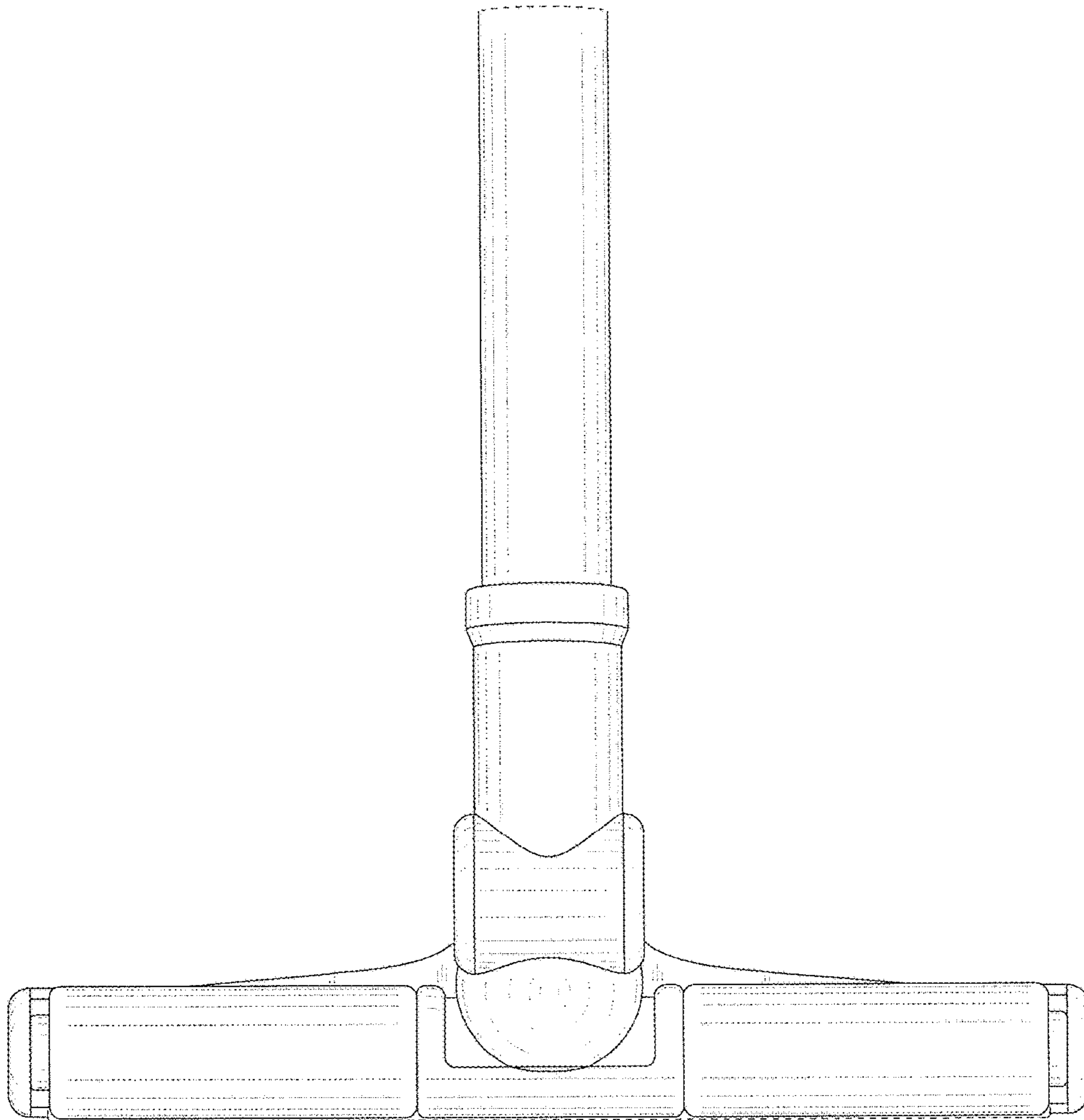


FIG. 3

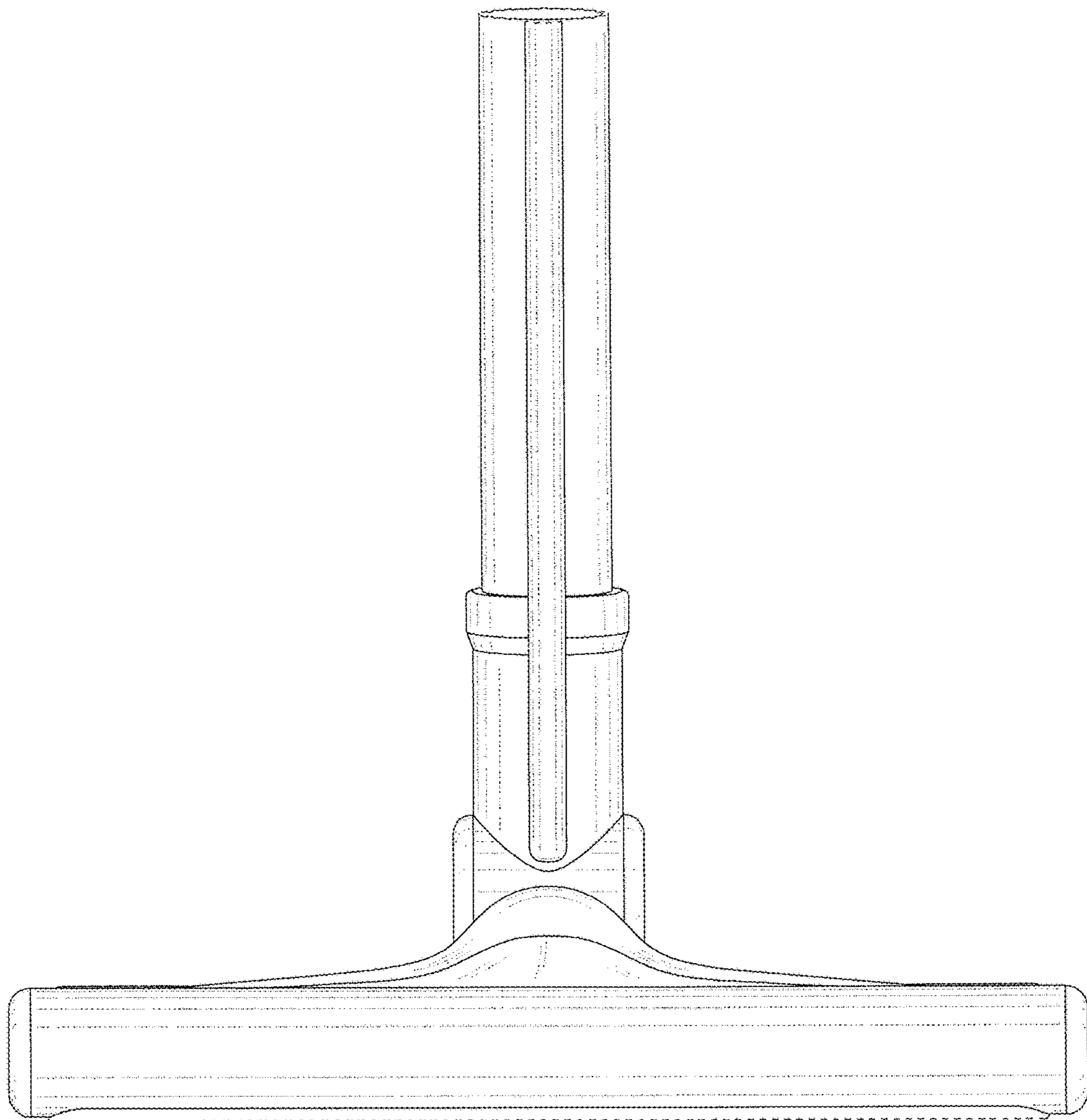


FIG. 4

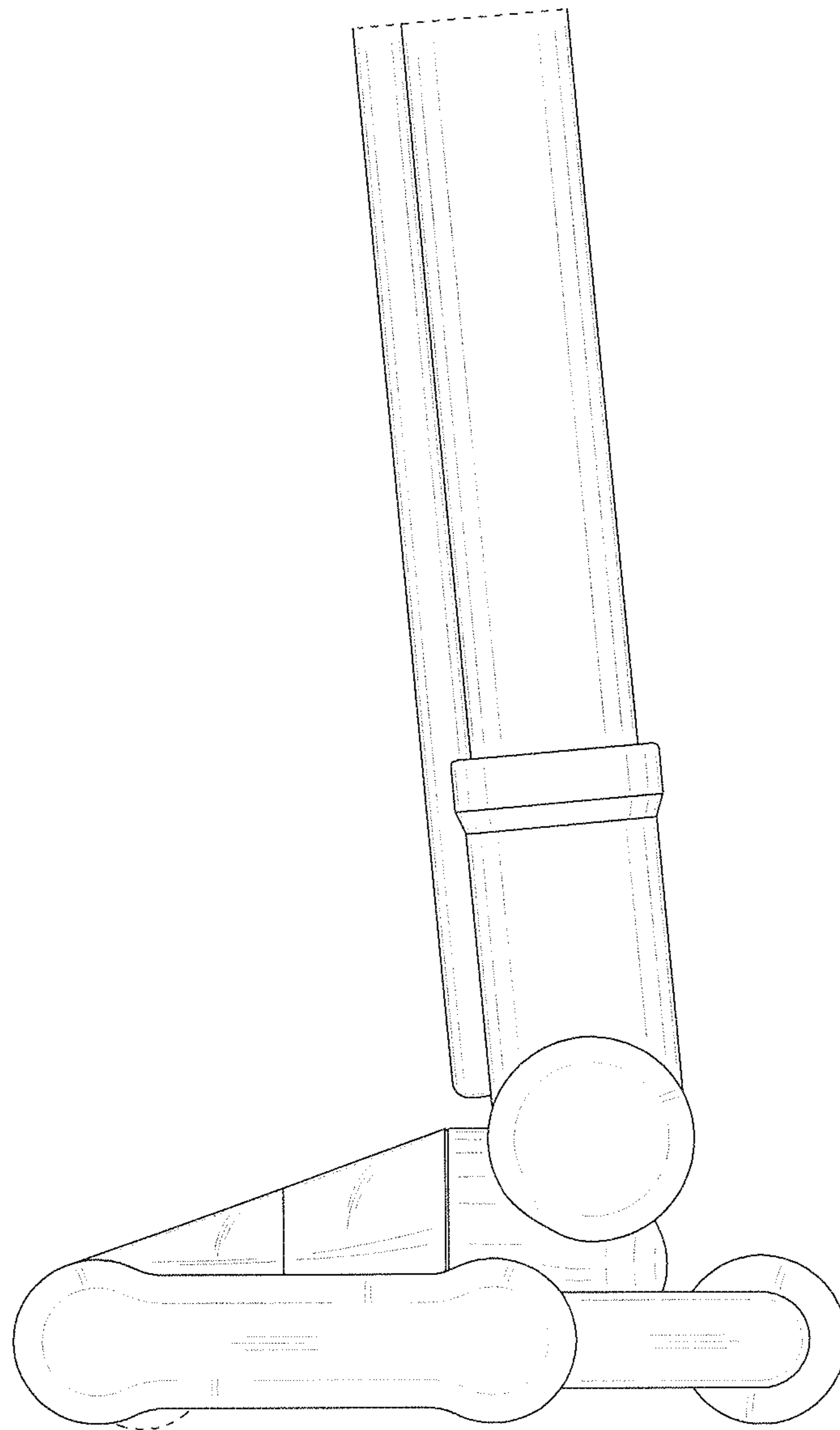


FIG. 5

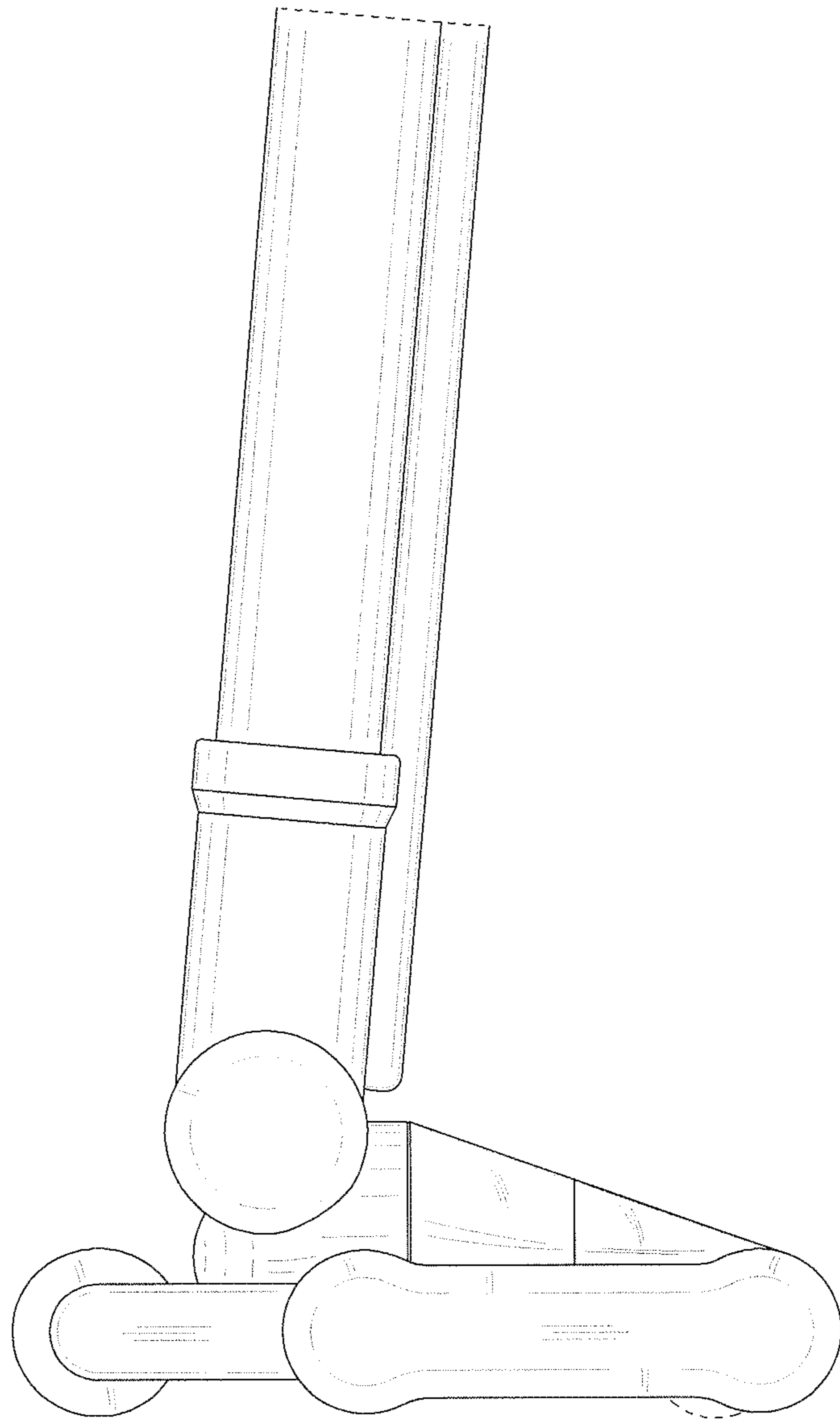


FIG. 6

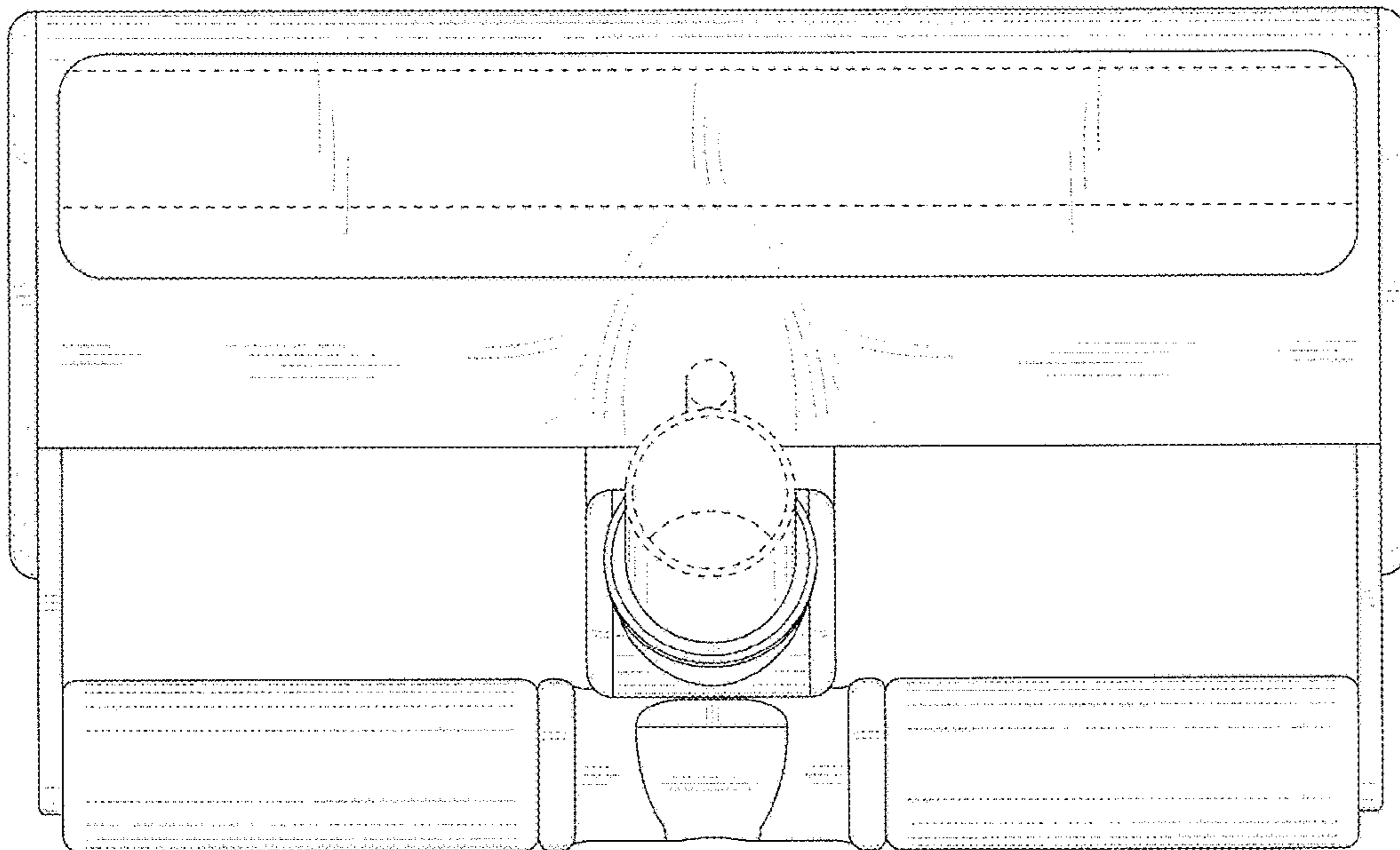


FIG. 7

