



US00D776886S

(12) **United States Design Patent**
Choi et al.

(10) **Patent No.:** **US D776,886 S**

(45) **Date of Patent:** **** *Jan. 17, 2017**

(54) **DRYER**

(71) Applicant: **Samsung Electronics Co., Ltd.**,
Suwon-si, Gyeonggi-do (KR)

(72) Inventors: **Hyoung-Sub Choi**, Goyang-si (KR);
Deok-Sang Yun, Ansan-si (KR)

(73) Assignee: **SAMSUNG ELECTRONICS CO., LTD.** (KR)

(*) Notice: This patent is subject to a terminal disclaimer.

(**) Term: **15 Years**

(21) Appl. No.: **29/530,933**

(22) Filed: **Jun. 22, 2015**

(30) **Foreign Application Priority Data**

Dec. 22, 2014 (KR) 30-2014-0062382

(51) **LOC (10) Cl.** **15-05**

(52) **U.S. Cl.**
USPC **D32/8**

(58) **Field of Classification Search**
USPC D32/6, 8, 1, 25, 5; D7/340, 405
CPC D06F 58/00; D06F 58/02; D06F 58/04;
D06F 58/20
See application file for complete search history.

(56) **References Cited**

U.S. PATENT DOCUMENTS

- 2,416,405 A * 2/1947 Purpura D06F 58/02
34/134
- D170,350 S * 9/1953 Bourner D32/8
- 4,631,934 A * 12/1986 Imanishi D06F 23/04
68/154
- D289,212 S * 4/1987 Nakamura D32/6
- D300,279 S * 3/1989 Umehara D32/6

- D313,679 S * 1/1991 Sakamoto D32/6
- 5,783,918 A * 7/1998 Choi G05B 19/042
312/319.5
- D422,387 S * 4/2000 Mutoh D32/25
- D465,307 S * 11/2002 Du D32/6
- D470,632 S * 2/2003 Oda D32/6
- D479,373 S * 9/2003 Silva D32/25
- D481,499 S * 10/2003 Moreira da Silva D32/25

(Continued)

FOREIGN PATENT DOCUMENTS

- CN 300928609 5/2009
- CN 301394096 S 11/2010

(Continued)

OTHER PUBLICATIONS

Korean Office Action with English Translation for Application No. 30-2014-0062382 dated May 21, 2015.

Primary Examiner — T. Chase Nelson
Assistant Examiner — Michelle E Wilson
(74) *Attorney, Agent, or Firm* — Cantor Colburn LLP

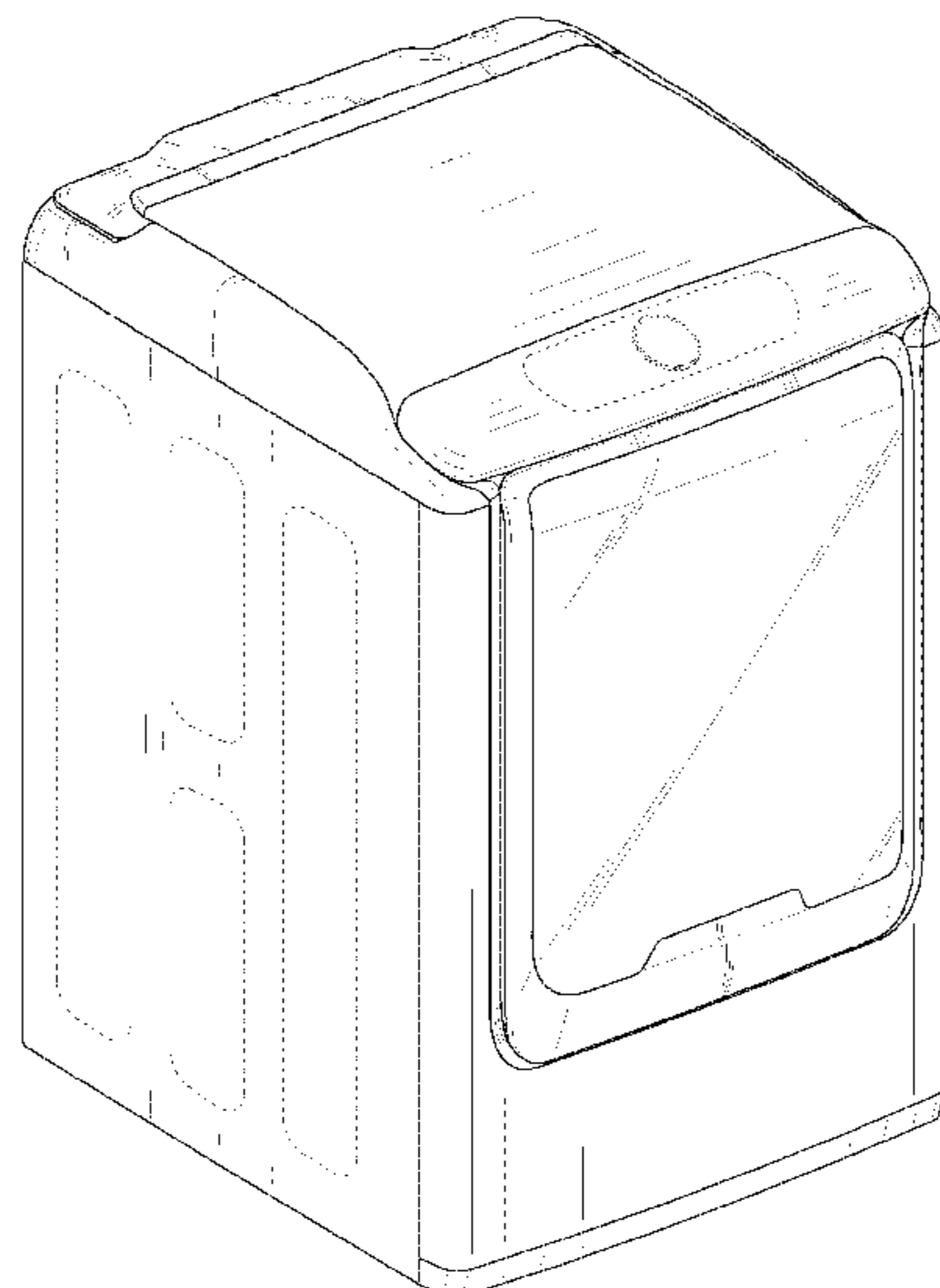
(57) **CLAIM**

The ornamental design for a dryer, as shown and described.

DESCRIPTION

FIG. 1 is a perspective view of a dryer, showing our new design;
FIG. 2 is a front view thereof;
FIG. 3 is a rear view thereof;
FIG. 4 is a side view thereof;
FIG. 5 is another side view thereof;
FIG. 6 is a top view thereof; and,
FIG. 7 is a bottom view thereof.
The broken lines in the figures are for environmental purposes only and form no part of the claimed design.

1 Claim, 7 Drawing Sheets



(56)

References Cited

U.S. PATENT DOCUMENTS

D492,073	S	*	6/2004	Sneddon	D32/6
D516,258	S	*	2/2006	Matsusaki	D32/1
D519,692	S	*	4/2006	Jun	D32/6
D521,197	S	*	5/2006	Kim	D32/8
D537,991	S	*	3/2007	Jun	D32/6
D547,915	S	*	7/2007	Jun	D32/6
D557,466	S	*	12/2007	Suh	D32/6
D583,114	S	*	12/2008	Jeon	D32/8
D642,753	S	*	8/2011	Ha	D32/6
D658,340	S	*	4/2012	Jeon	D32/6
D663,907	S	*	7/2012	Jeon	D32/6
D663,908	S	*	7/2012	Jeon	D32/6
D664,313	S	*	7/2012	Chung	D32/6
D703,887	S	*	4/2014	Lee	D32/8
D729,467	S	*	5/2015	Jee	D32/6
D730,597	S	*	5/2015	Jeon	D32/8
D738,582	S	*	9/2015	Chung	D32/6

FOREIGN PATENT DOCUMENTS

CN	301617600	S	7/2011
CN	301617602	S	7/2011
JP	1223419	S	11/2004

* cited by examiner

FIG. 1

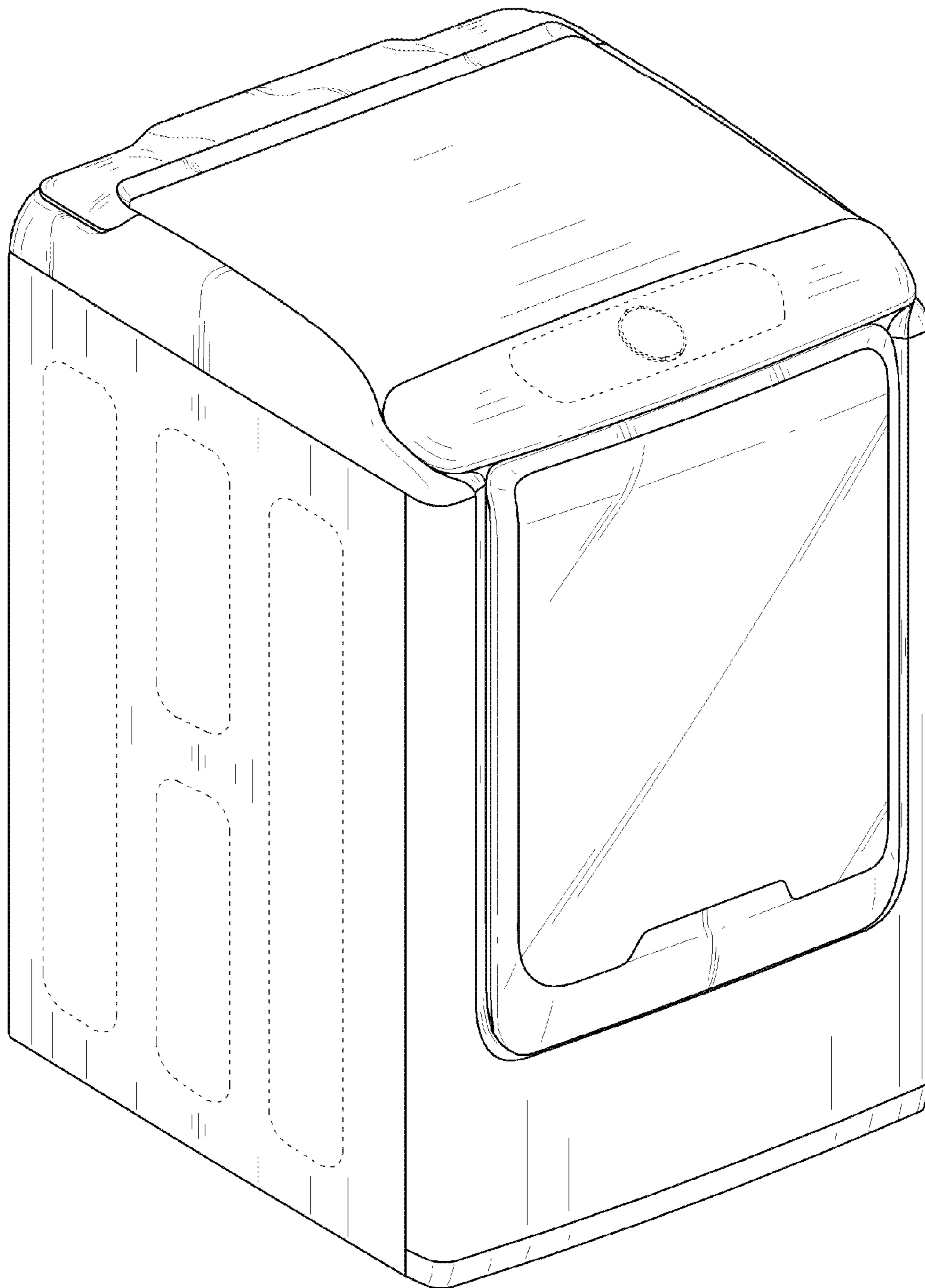


FIG. 2

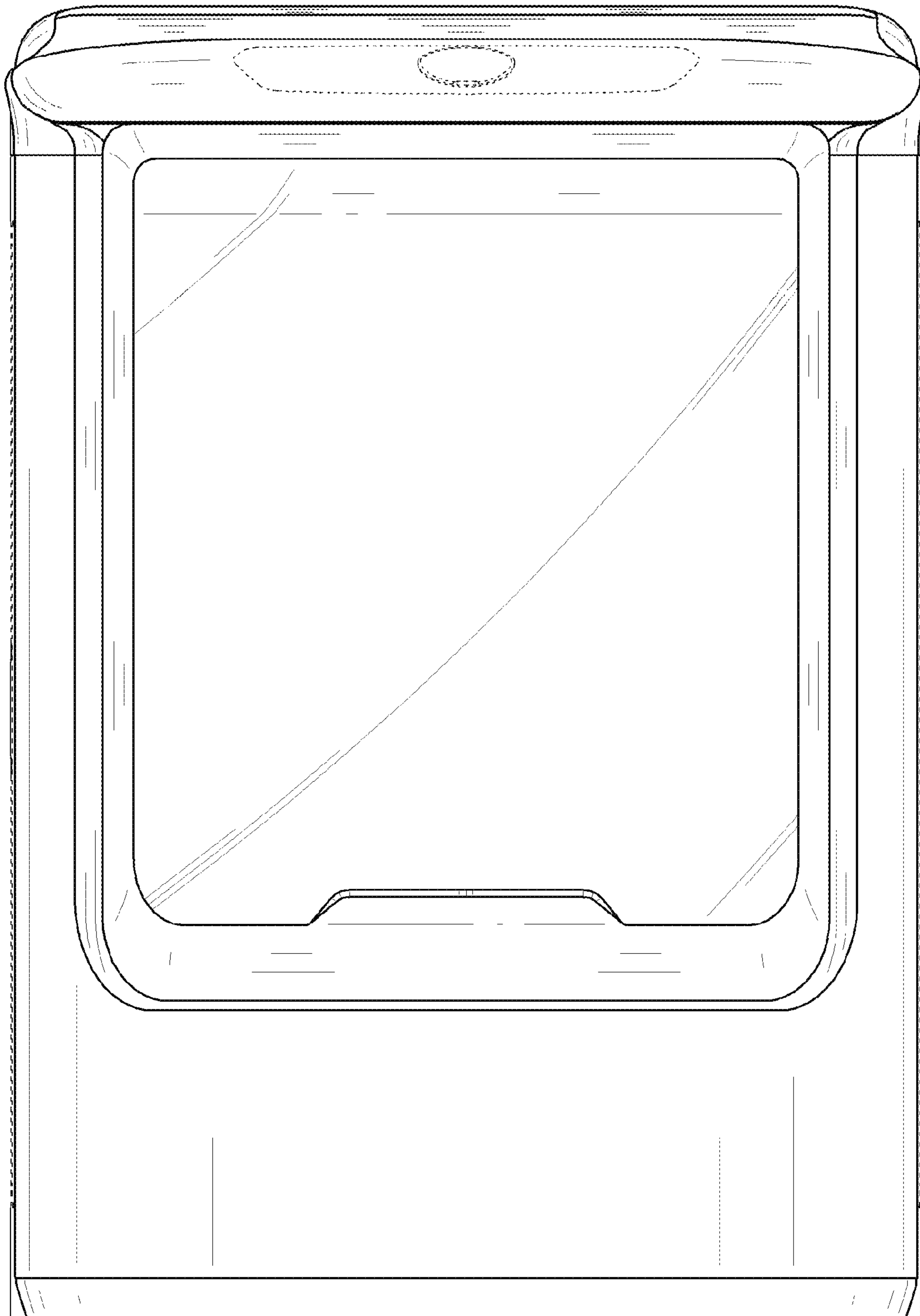


FIG. 3

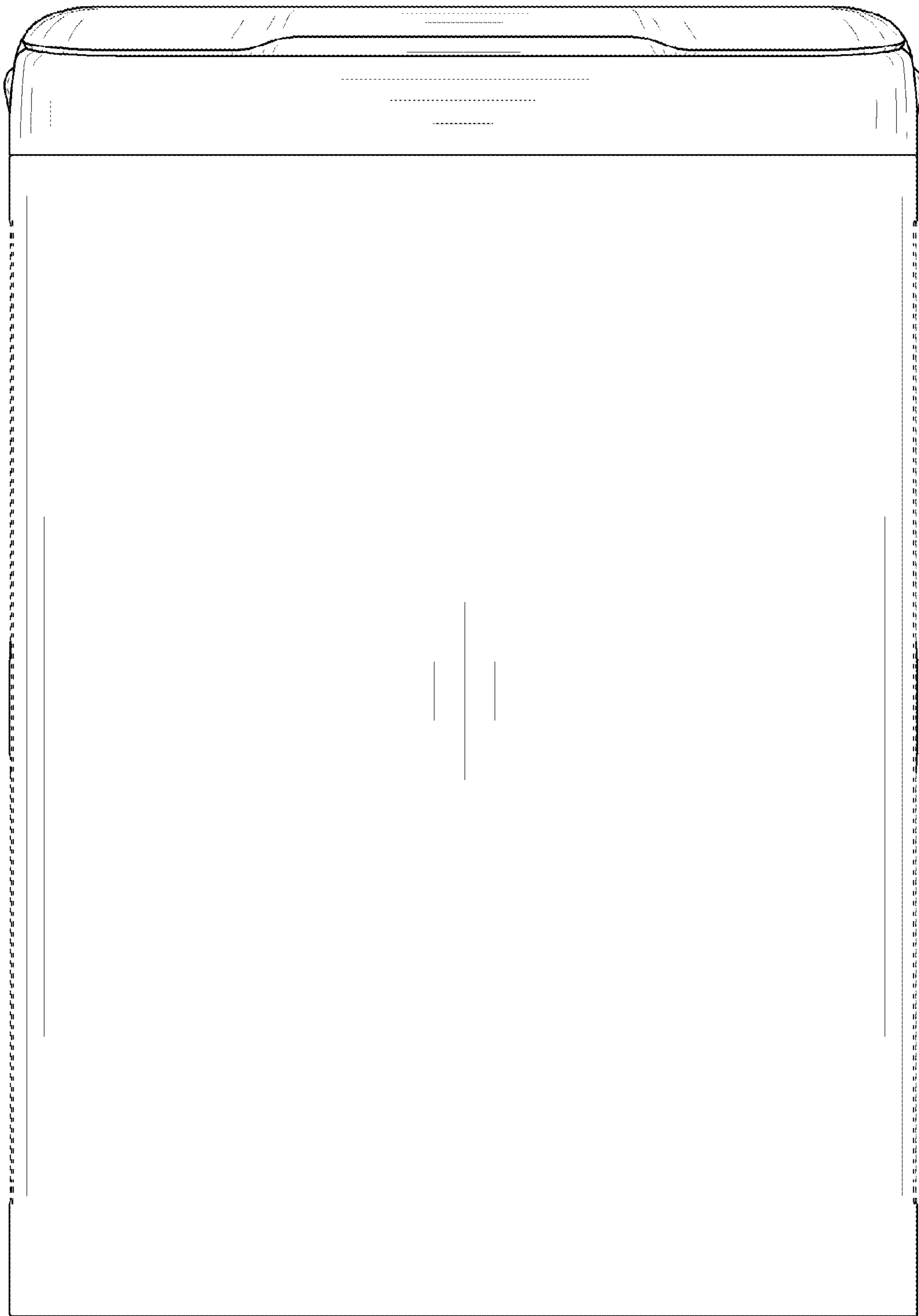


FIG. 4

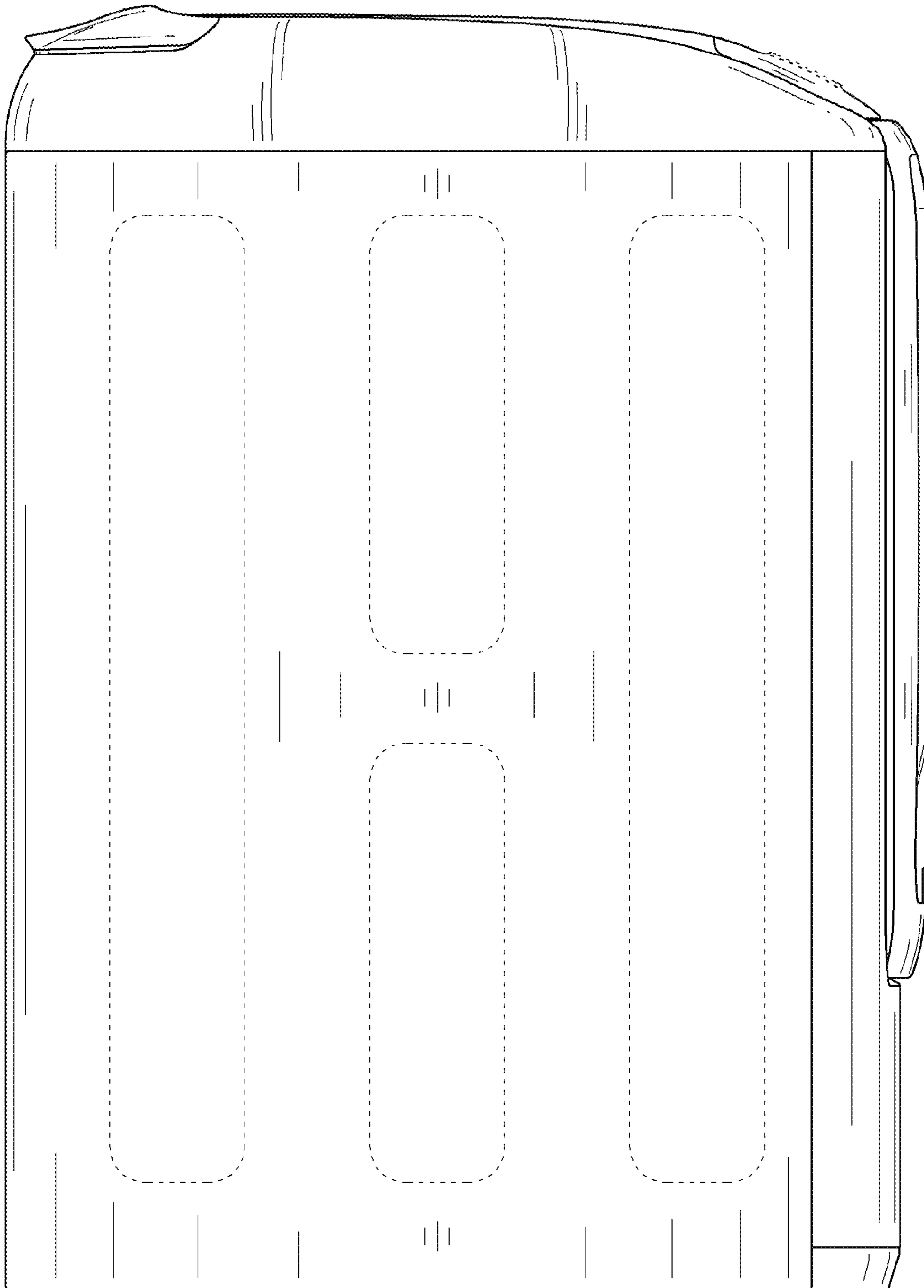


FIG. 5

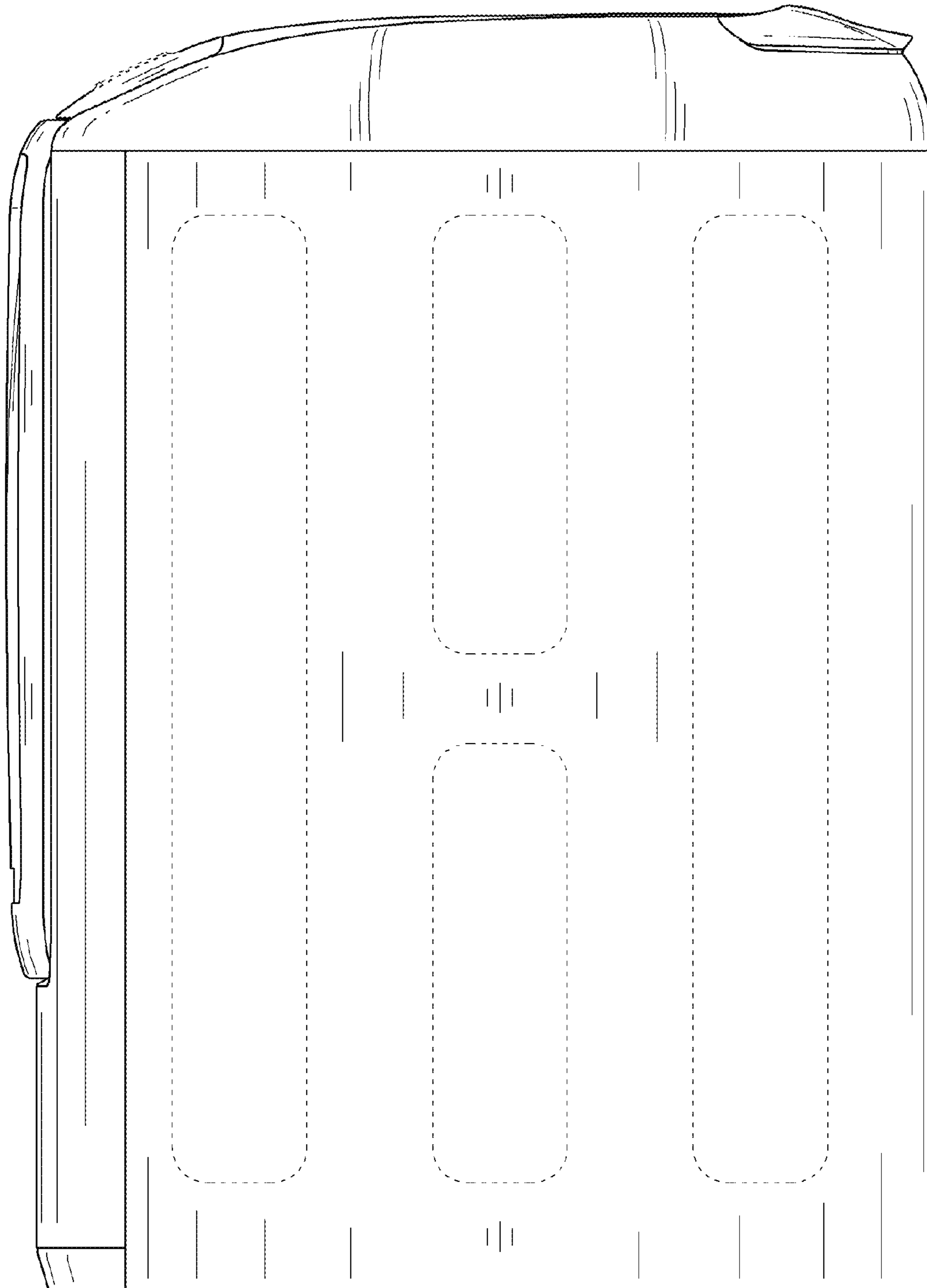


FIG. 6

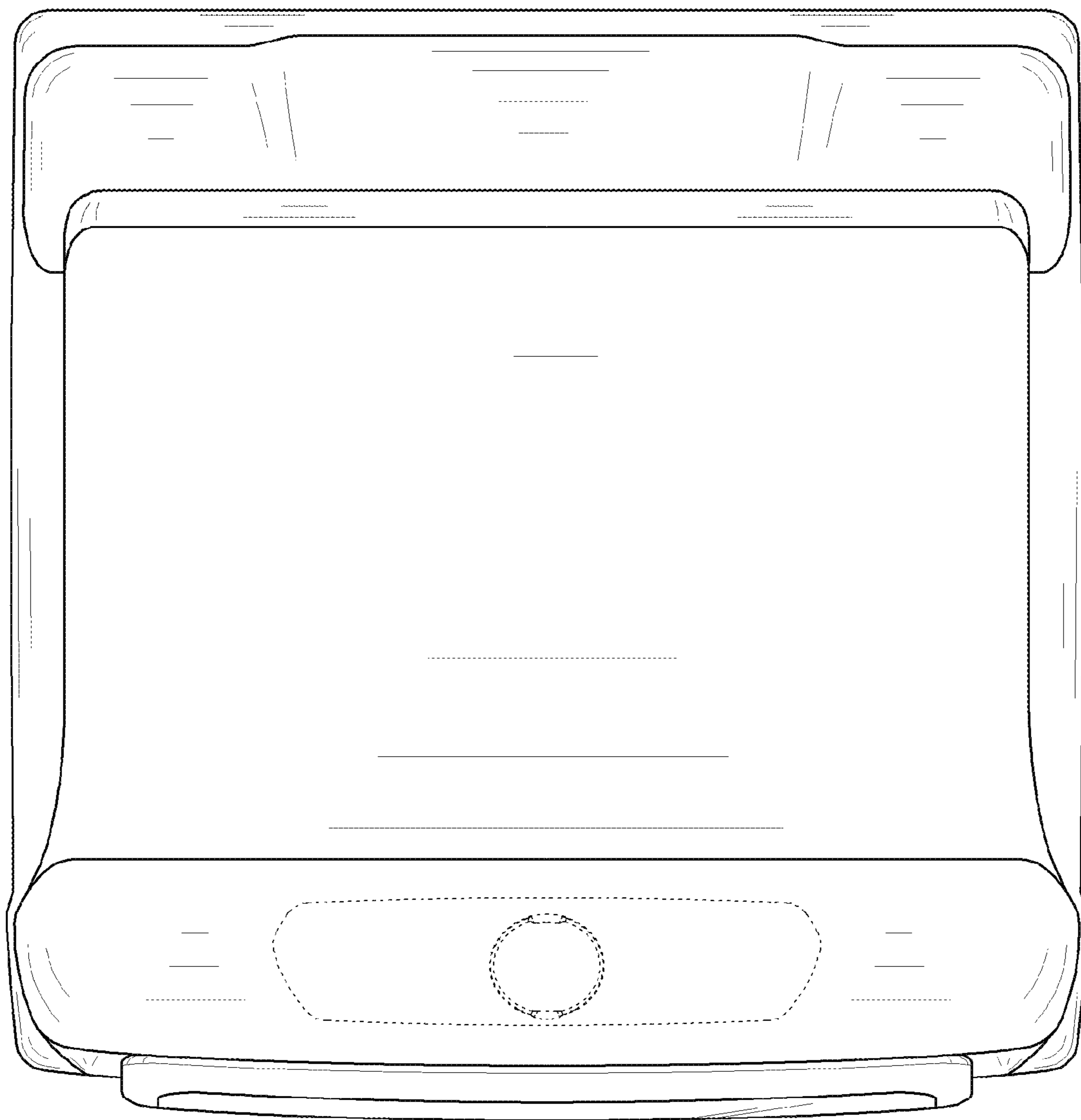


FIG. 7

