

US00D776885S

(12) **United States Design Patent** (10) **Patent No.:** **US D776,885 S**
Schaberreiter et al. (45) **Date of Patent:** **** Jan. 17, 2017**

(54) **SHOE DRYER**
 (71) Applicant: **SturiaTronic Projektmanagement GmbH, Hartberg (AT)**
 (72) Inventors: **Martin Schaberreiter, Waldbach (AT); Stefan Lenz, Schwarzach (AT); Gerhard Kremer, Furstenfeld (AT)**
 (73) Assignee: **STURIATRONIC PROJEKTMANAGEMENT GMBH, Hartberg (AT)**

D310,742 S * 9/1990 Johnson D32/58
 D327,963 S * 7/1992 Westlake D32/8
 D347,094 S * 5/1994 Christensen, Jr. D32/58
 D349,788 S * 8/1994 Laferriere D32/1
 D372,346 S * 7/1996 Marks D32/8
 5,632,099 A * 5/1997 Seifert A47L 23/205
 34/106
 D581,109 S * 11/2008 Totz D32/8
 D604,916 S * 11/2009 Mansour D32/8
 D641,528 S * 7/2011 Wai D32/58
 8,186,075 B2 * 5/2012 Beckett A47L 23/205
 34/106

(**) Term: **14 Years**
 (21) Appl. No.: **29/486,913**
 (22) Filed: **Apr. 3, 2014**

* cited by examiner
Primary Examiner — T. Chase Nelson
Assistant Examiner — Michelle E Wilson
 (74) *Attorney, Agent, or Firm* — Young & Thompson

(30) **Foreign Application Priority Data**
 Oct. 3, 2013 (EM) 002320010-0001
 Oct. 3, 2013 (EM) 002320010-0002
 Oct. 3, 2013 (EM) 002320010-0003
 Oct. 3, 2013 (EM) 002320010-0004

(57) **CLAIM**
 The ornamental design for a shoe dryer, as shown and described.

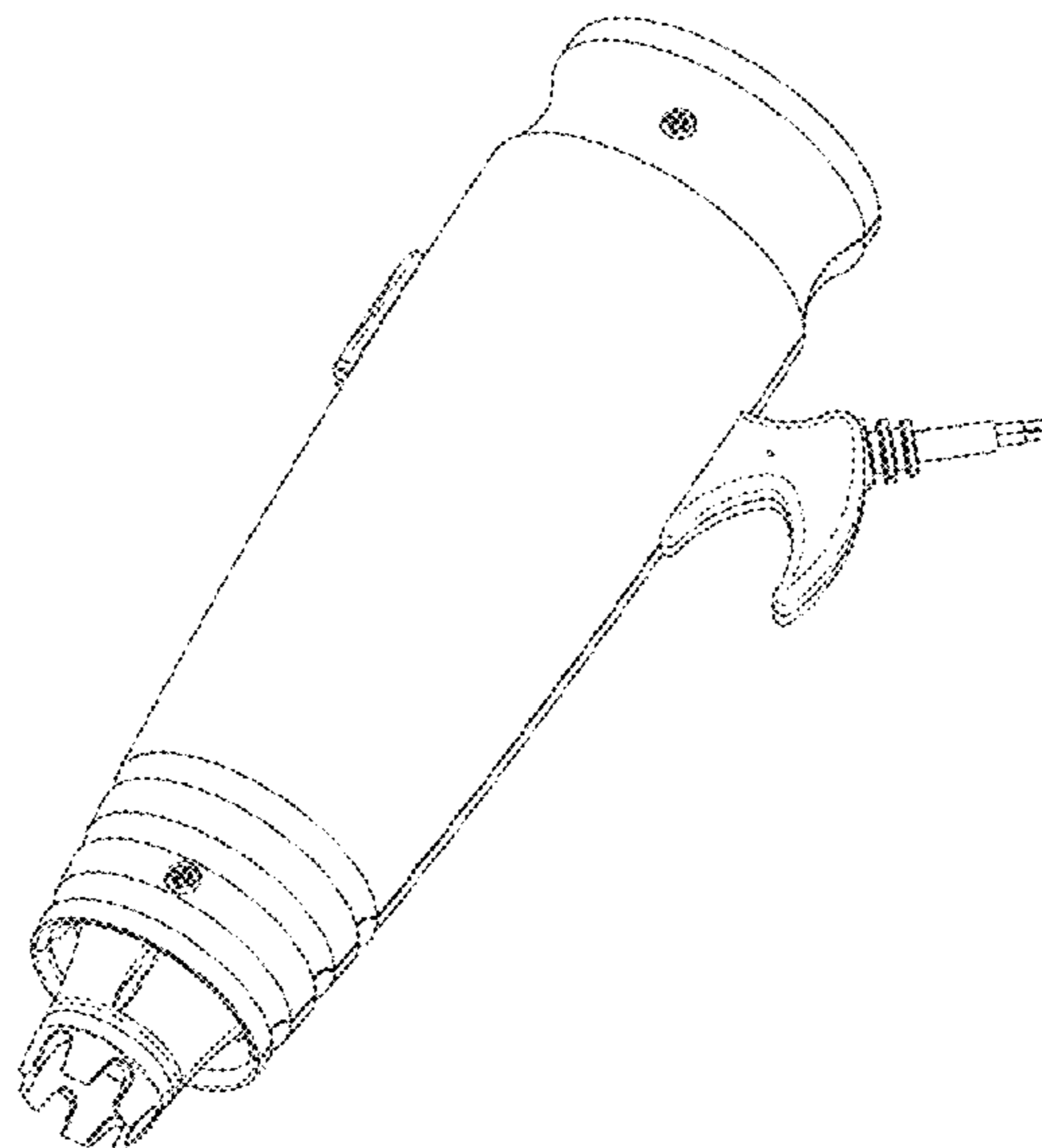
(51) **LOC (10) Cl.** **15-05**
 (52) **U.S. Cl.**
 USPC **D32/8**
 (58) **Field of Classification Search**
 USPC D32/1, 8, 25, 14.1, 55-57, 58-59
 CPC A47K 10/06; A47L 23/20; A47L 23/205
 See application file for complete search history.

DESCRIPTION

FIG. 1 is a front elevation view of the shoe dryer showing the new design;
 FIG. 2 is a right side elevation view thereof;
 FIG. 3 is a left side elevation view thereof;
 FIG. 4 is a rear elevation view thereof;
 FIG. 5 is a bottom plan view thereof;
 FIG. 6 is a top plan view thereof; and,
 FIG. 7 is a front, bottom, and left side perspective view thereof.
 The portions of the design shown in broken lines show unclaimed subject matter.

(56) **References Cited**
 U.S. PATENT DOCUMENTS
 3,513,564 A * 5/1970 Gramprrie A47K 10/06
 34/104
 4,136,464 A * 1/1979 Hay A47L 23/20
 239/274

1 Claim, 7 Drawing Sheets



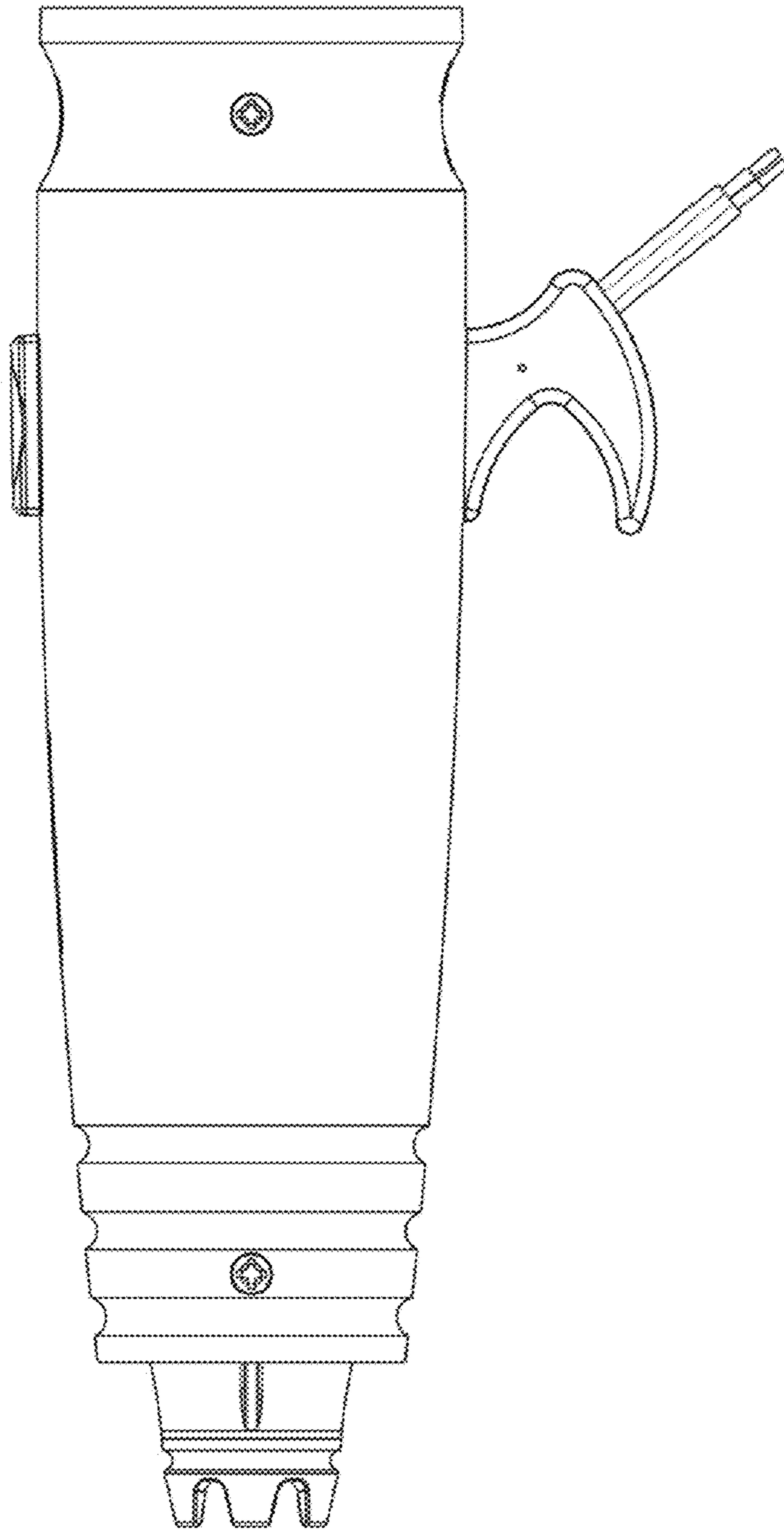


FIG.1

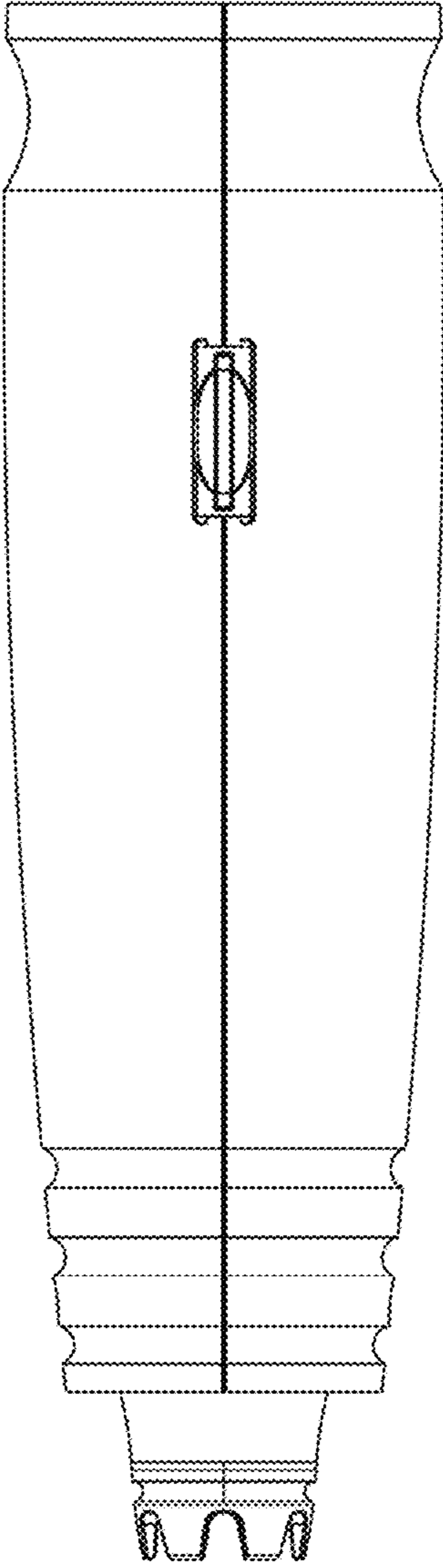


FIG.2

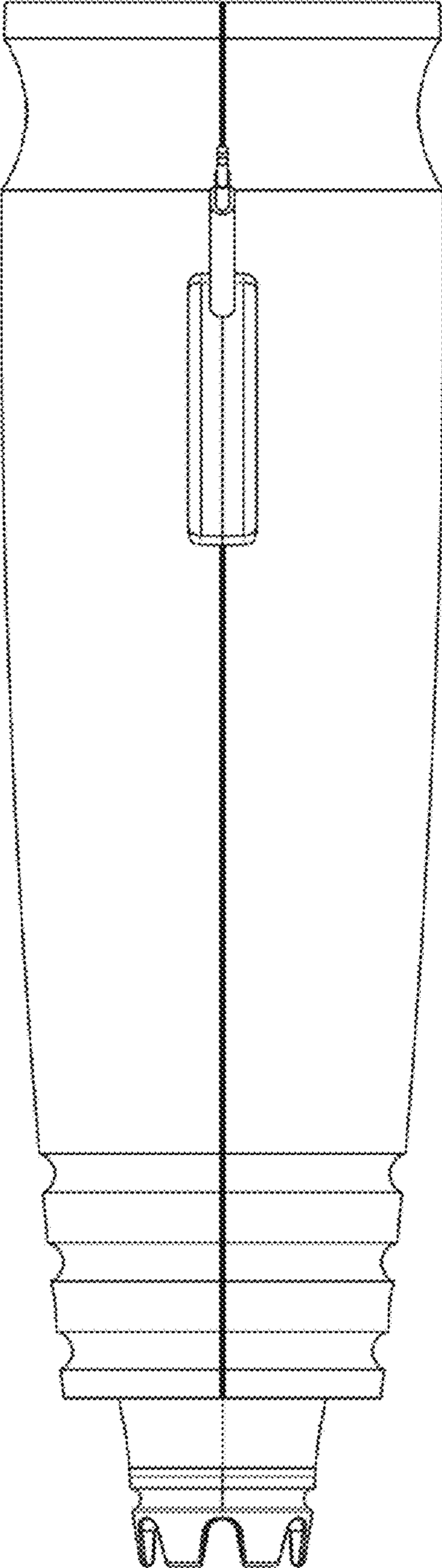


FIG.3

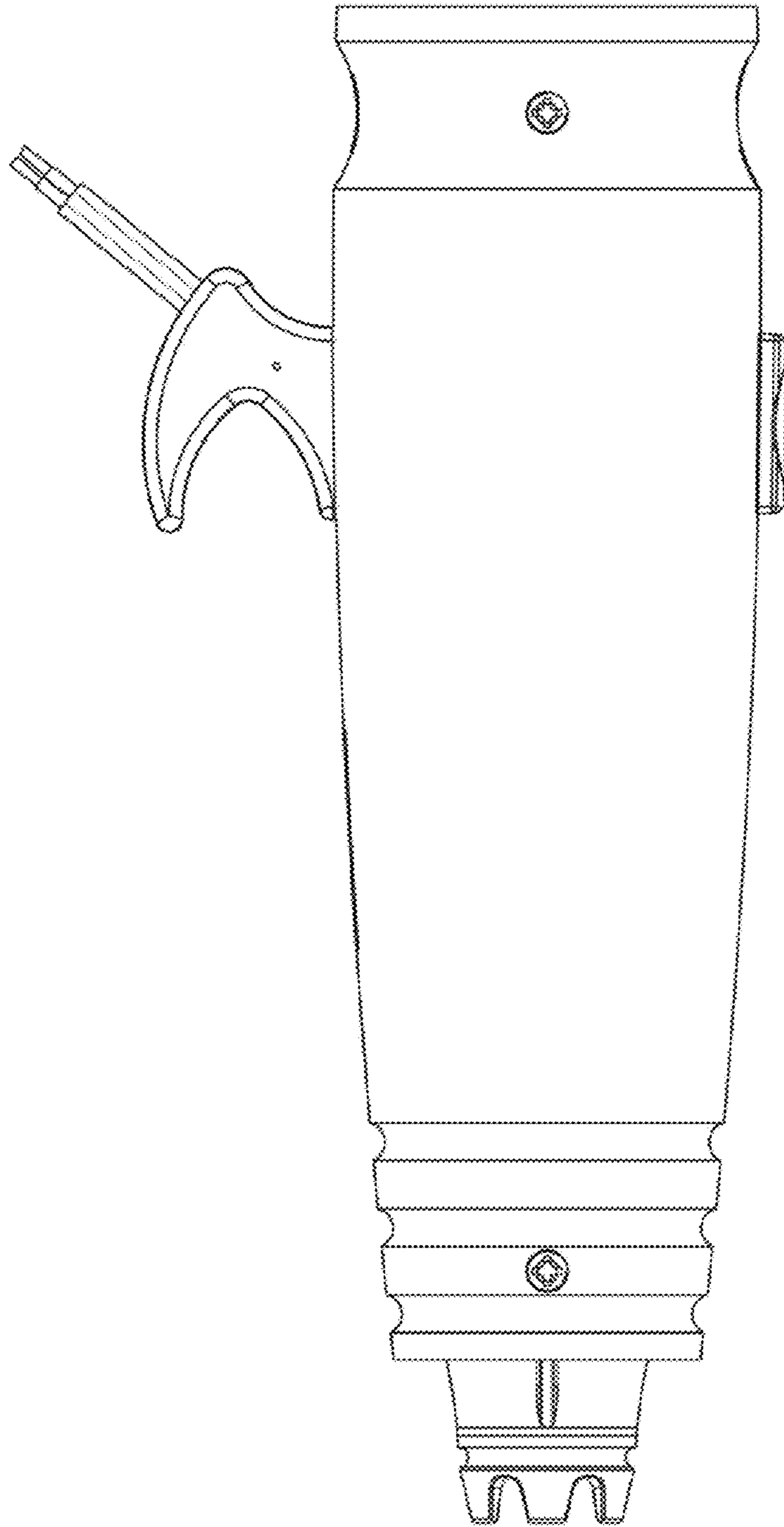


FIG.4

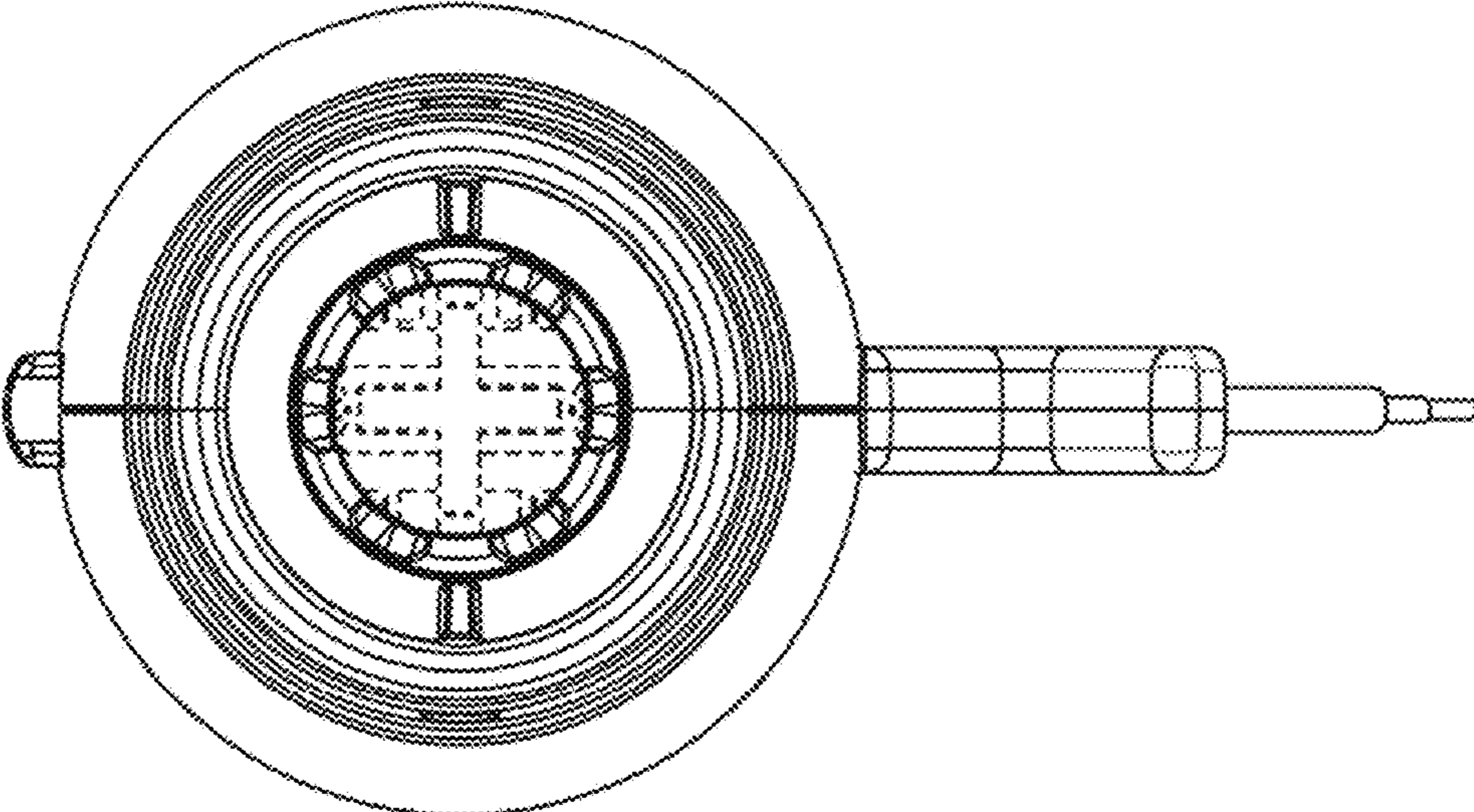


FIG.5

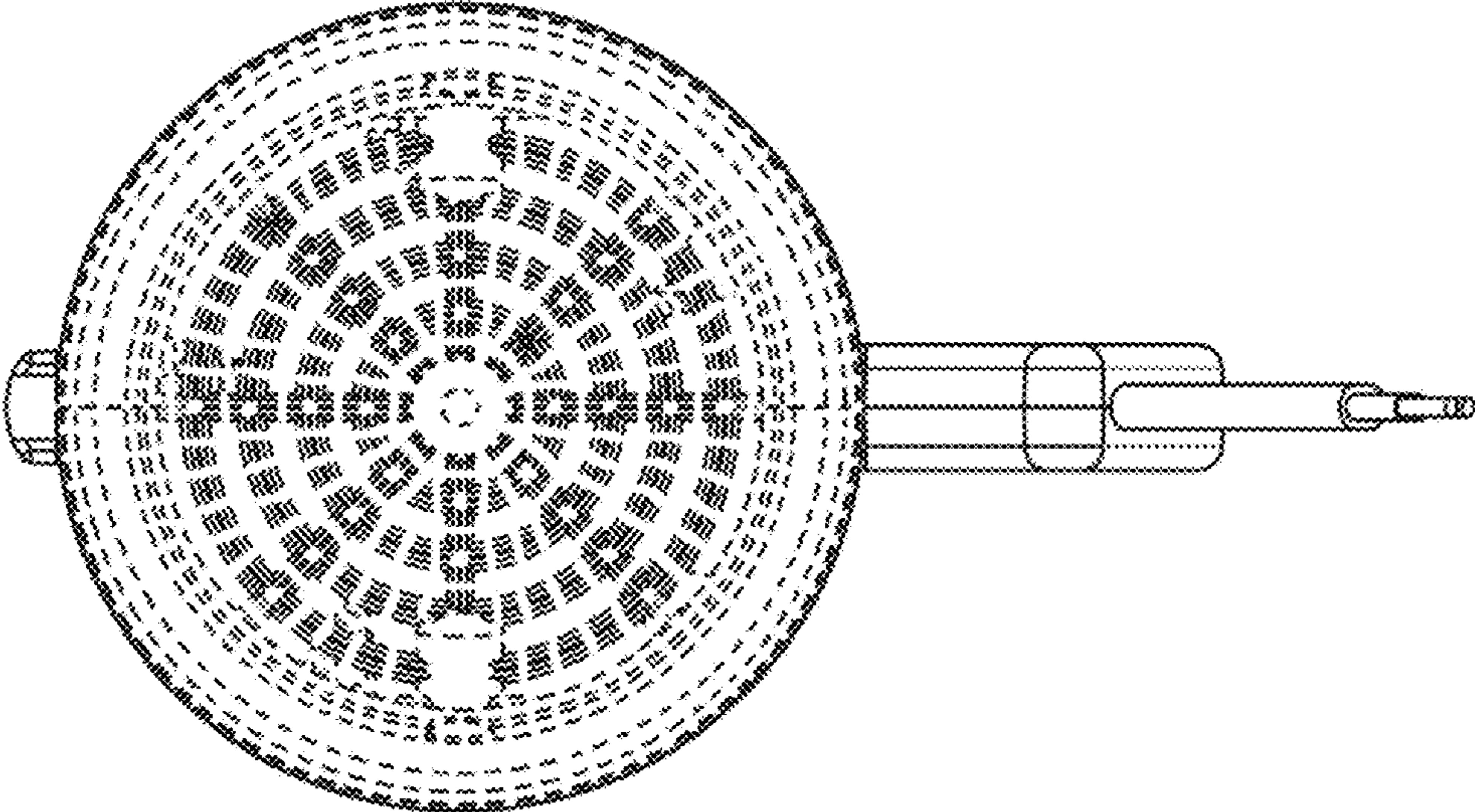


FIG.6

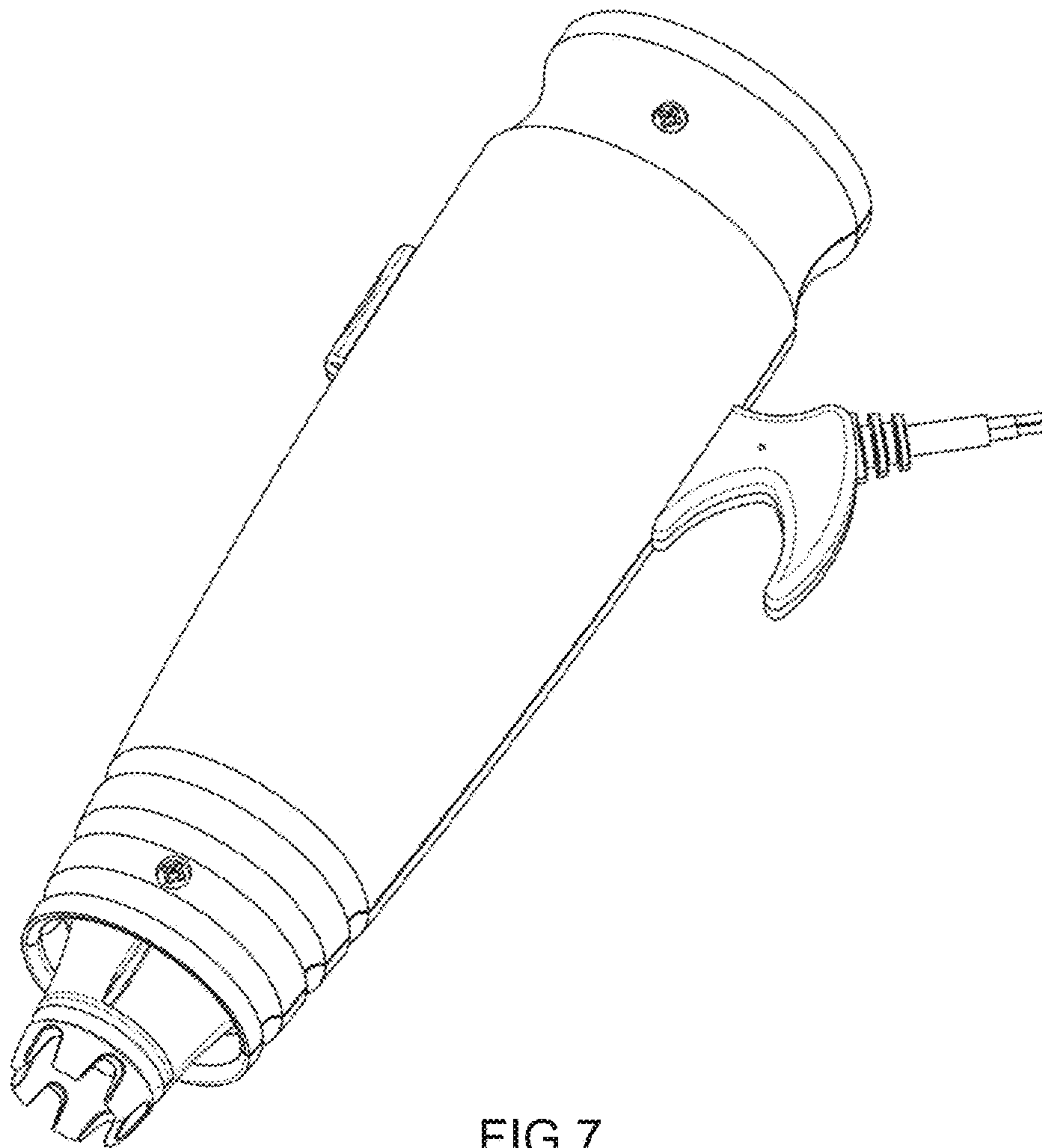


FIG. 7