



US00D776884S

(12) **United States Design Patent**
Kellogg

(10) **Patent No.:** **US D776,884 S**

(45) **Date of Patent:** **** Jan. 17, 2017**

- (54) **FELINE PLAY STRUCTURE**
- (71) Applicant: **SportPet Designs, Inc.**, Waukesha, WI (US)
- (72) Inventor: **Adam M. Kellogg**, Oconomowoc, WI (US)
- (73) Assignee: **SportPet Designs, Inc.**, Waukesha, WI (US)
- (**) Term: **14 Years**
- (21) Appl. No.: **29/525,889**
- (22) Filed: **May 4, 2015**
- (51) **LOC (10) Cl.** **30-99**
- (52) **U.S. Cl.**
USPC **D30/160**
- (58) **Field of Classification Search**
USPC D30/158, 160; D21/826; D11/118;
D6/349-350
CPC A01K 15/024; A01K 15/025; A01K 15/26;
A01K 15/27; A61J 17/00; B65D 17/163;
B65D 17/165
See application file for complete search history.

(56) **References Cited**

U.S. PATENT DOCUMENTS

D175,255 S	8/1955	Austgen	
D206,579 S	1/1967	Sherwood	
D228,537 S	10/1973	Jennings	
D235,270 S	6/1975	Borak	
D245,190 S	7/1977	Higo	
4,177,761 A	12/1979	Bellocchi, Jr.	
4,177,763 A	12/1979	Cook	
D257,293 S *	10/1980	Michalski D30/158
4,253,423 A	3/1981	Kaplan	
D261,186 S	10/1981	Michalski	
4,517,922 A	5/1985	Lind	
4,576,116 A	3/1986	Binkert	

4,611,556 A	9/1986	Frank
D295,088 S	4/1988	O'Rourke
D298,577 S	11/1988	Faxon
4,790,265 A	12/1988	Manson
D315,186 S	3/1991	Peterson
5,050,536 A	9/1991	Baker
5,148,768 A	9/1992	Hinton
D331,649 S	12/1992	Saja
D334,637 S	4/1993	Mitchell
D334,815 S	4/1993	Bunger
D336,557 S	6/1993	Wade
D347,092 S	5/1994	Ravel
D348,124 S	6/1994	O'Rourke et al.
D349,783 S	8/1994	Berger
D355,057 S	1/1995	Northrop et al.
D406,678 S	3/1999	Rittenhouse
D444,600 S	7/2001	Spritzer

(Continued)

Primary Examiner — Cathy Ann MacCormac
(74) *Attorney, Agent, or Firm* — Ryan Kromholz & Manion, S.C.

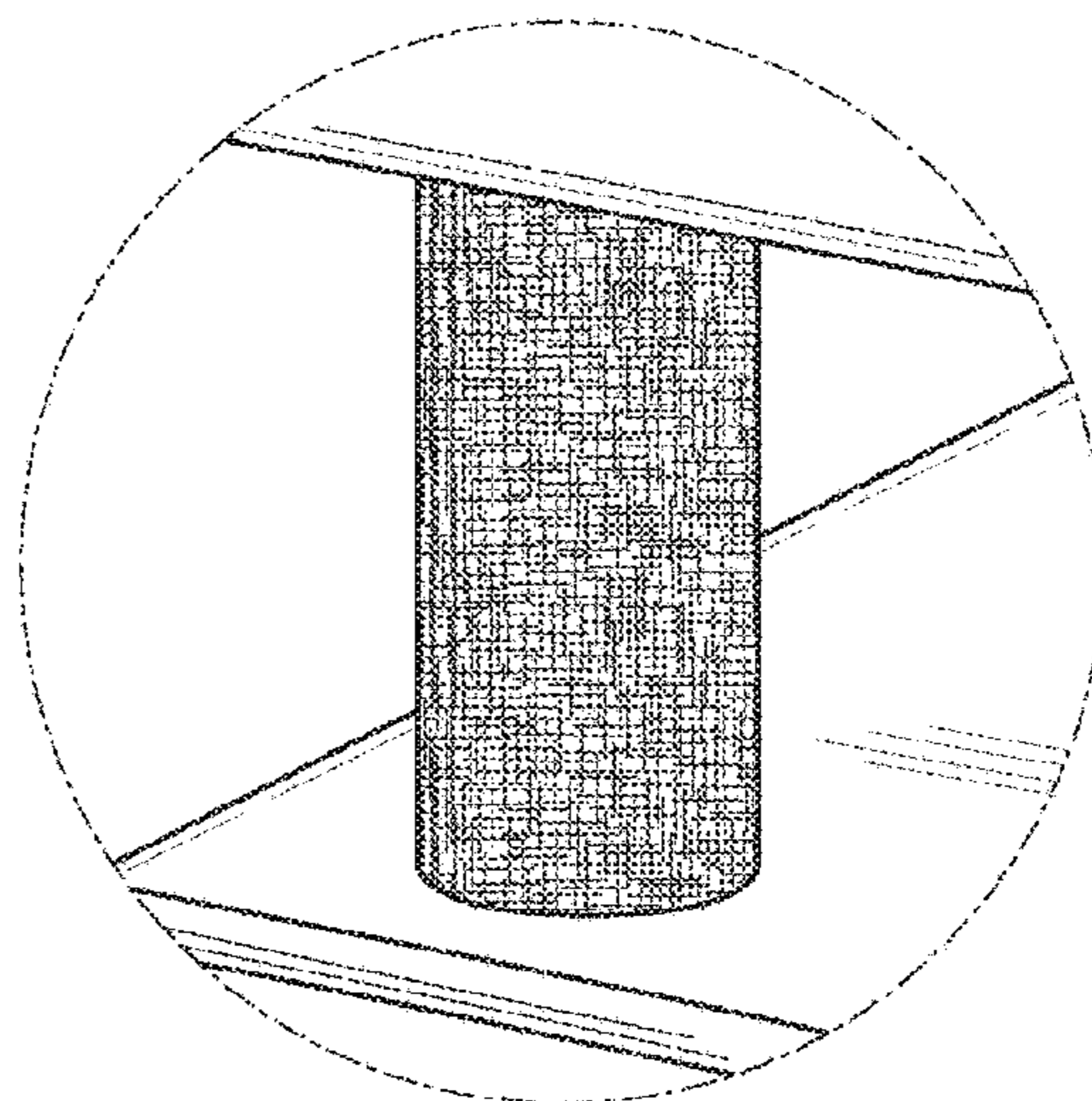
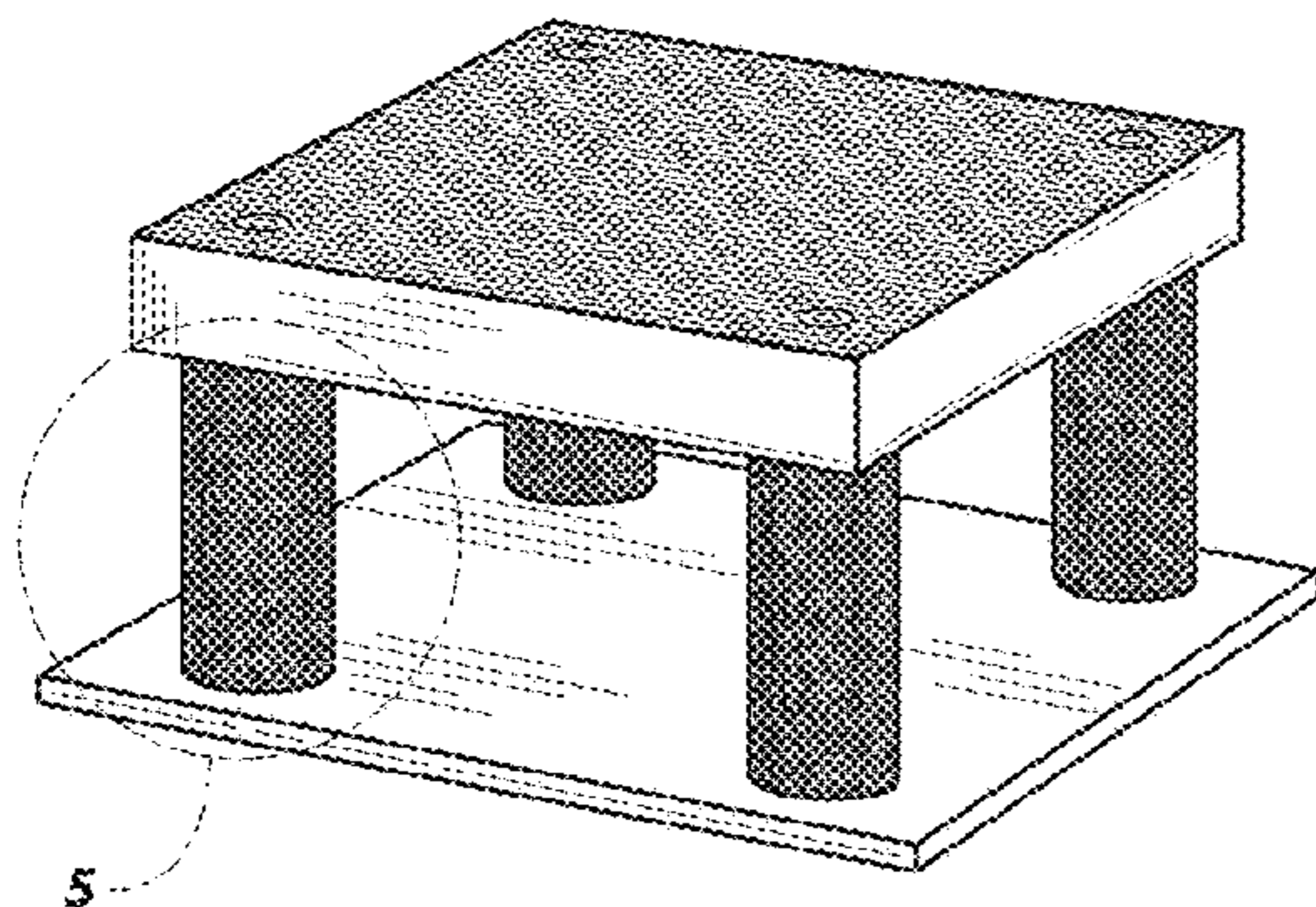
(57) **CLAIM**

The ornamental design for a feline play structure, as shown and described.

DESCRIPTION

FIG. 1 is a perspective view of the invention;
 FIG. 2 is a front elevation view, the rear elevation view, left side elevation view and right side elevation view being identical thereto;
 FIG. 3 is a top plan view;
 FIG. 4 is a bottom plan view; and,
 FIG. 5 is an enlarged partial detail perspective view of encircled portion 8 as shown on FIG. 1 to show the pattern on the legs.
 The dot-dash broken line on FIGS. 1 and 5 encircling a portion of the claimed design form no part of the claimed design.

1 Claim, 2 Drawing Sheets



(56)

References Cited

U.S. PATENT DOCUMENTS

D460,222 S	7/2002	DeRaspe-Bolles et al.
D469,583 S	1/2003	Bentzinger
D501,064 S	1/2005	Williams
D513,546 S	1/2006	Comerford
D529,666 S	10/2006	Simpson et al.
D545,007 S	6/2007	Northrop
D583,517 S	12/2008	Tycer
D606,714 S	12/2009	Kellogg et al.
D607,158 S	12/2009	Kellogg et al.
D607,159 S	12/2009	Kellogg et al.
D612,111 S	3/2010	Kellogg et al.
D614,364 S	4/2010	Kellogg et al.
D614,820 S	4/2010	Kellogg et al.
D615,255 S	5/2010	Kellogg et al.
D616,160 S	5/2010	Kellogg et al.

* cited by examiner

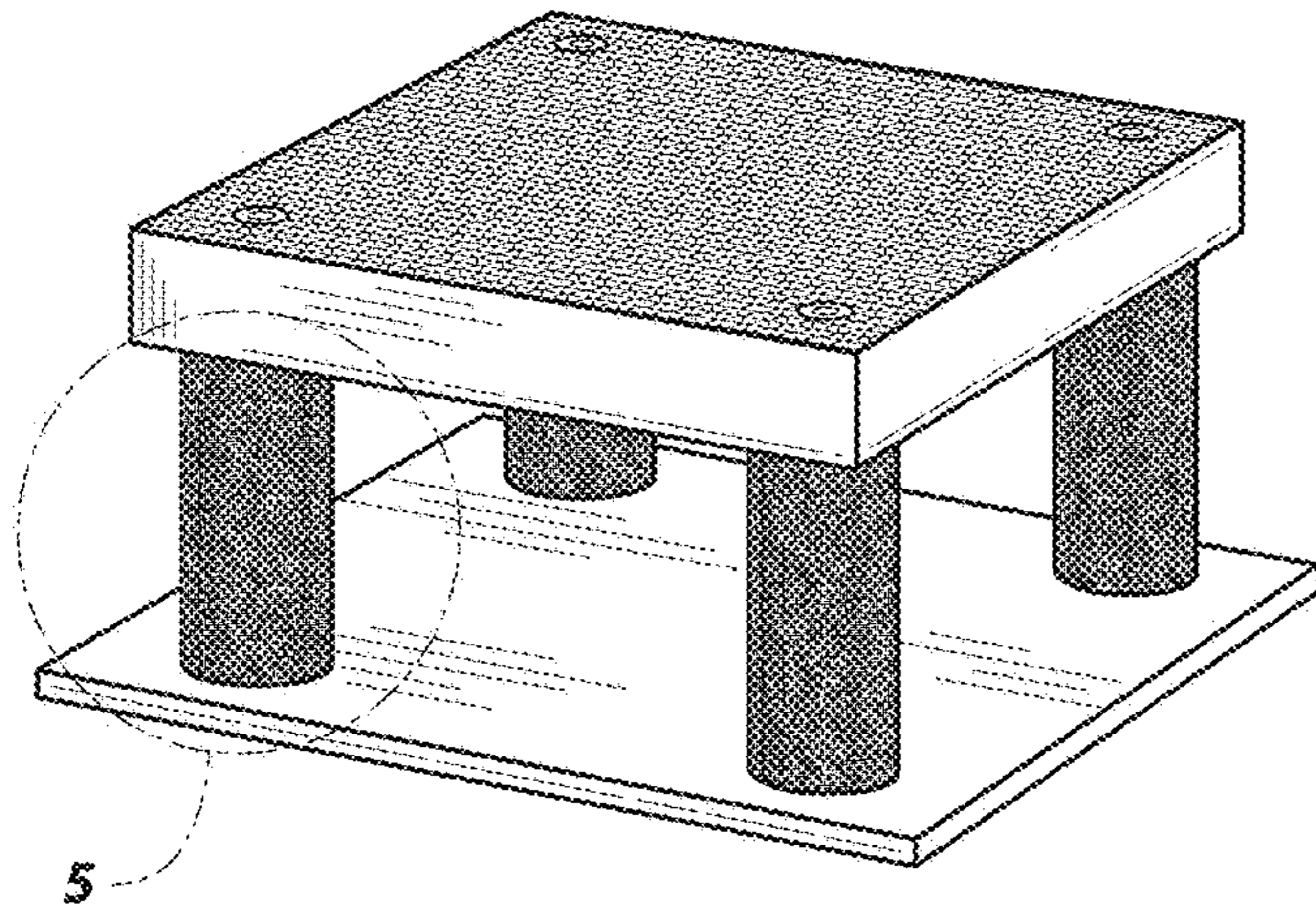


Fig. 1

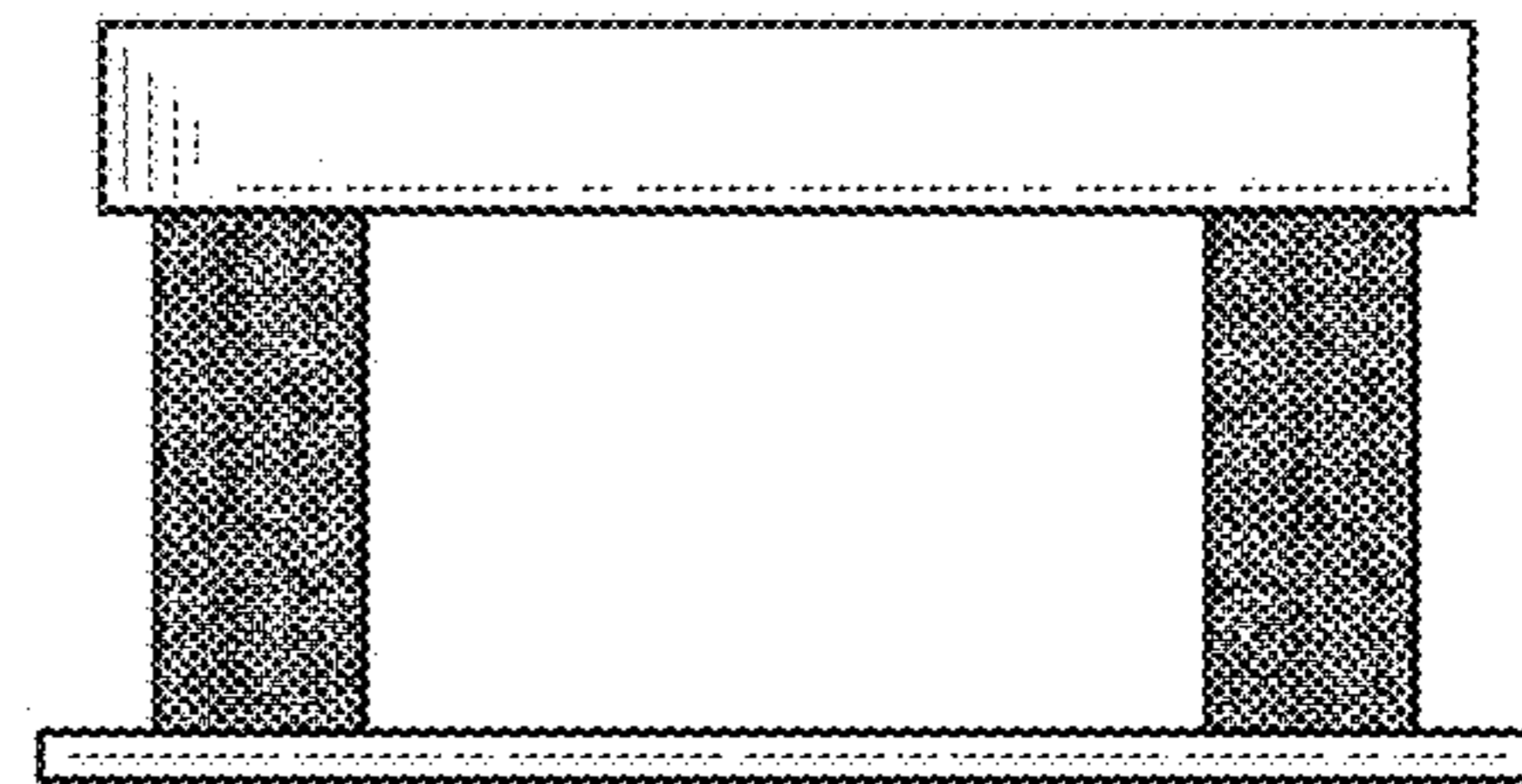


Fig. 2

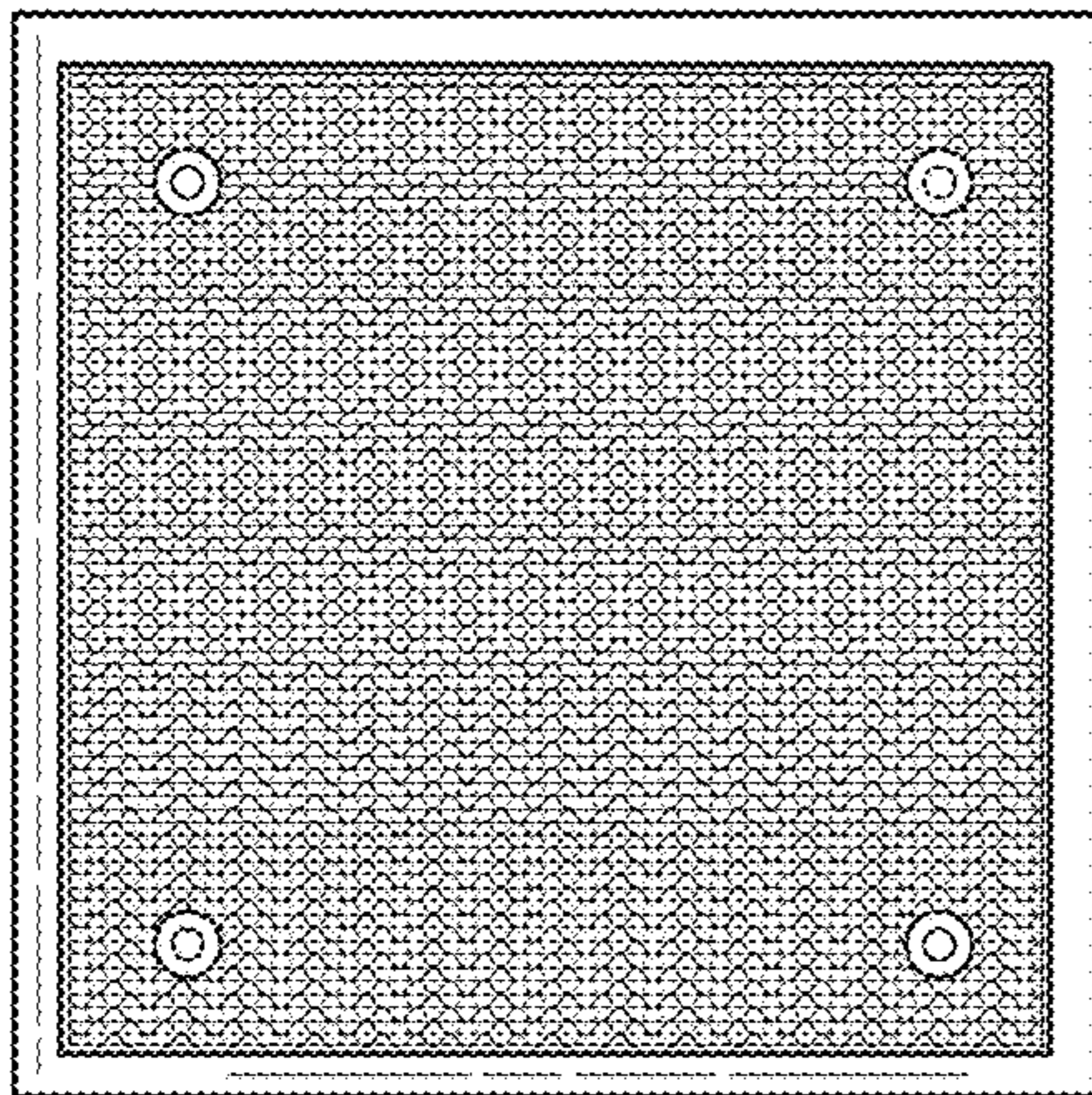


Fig. 3

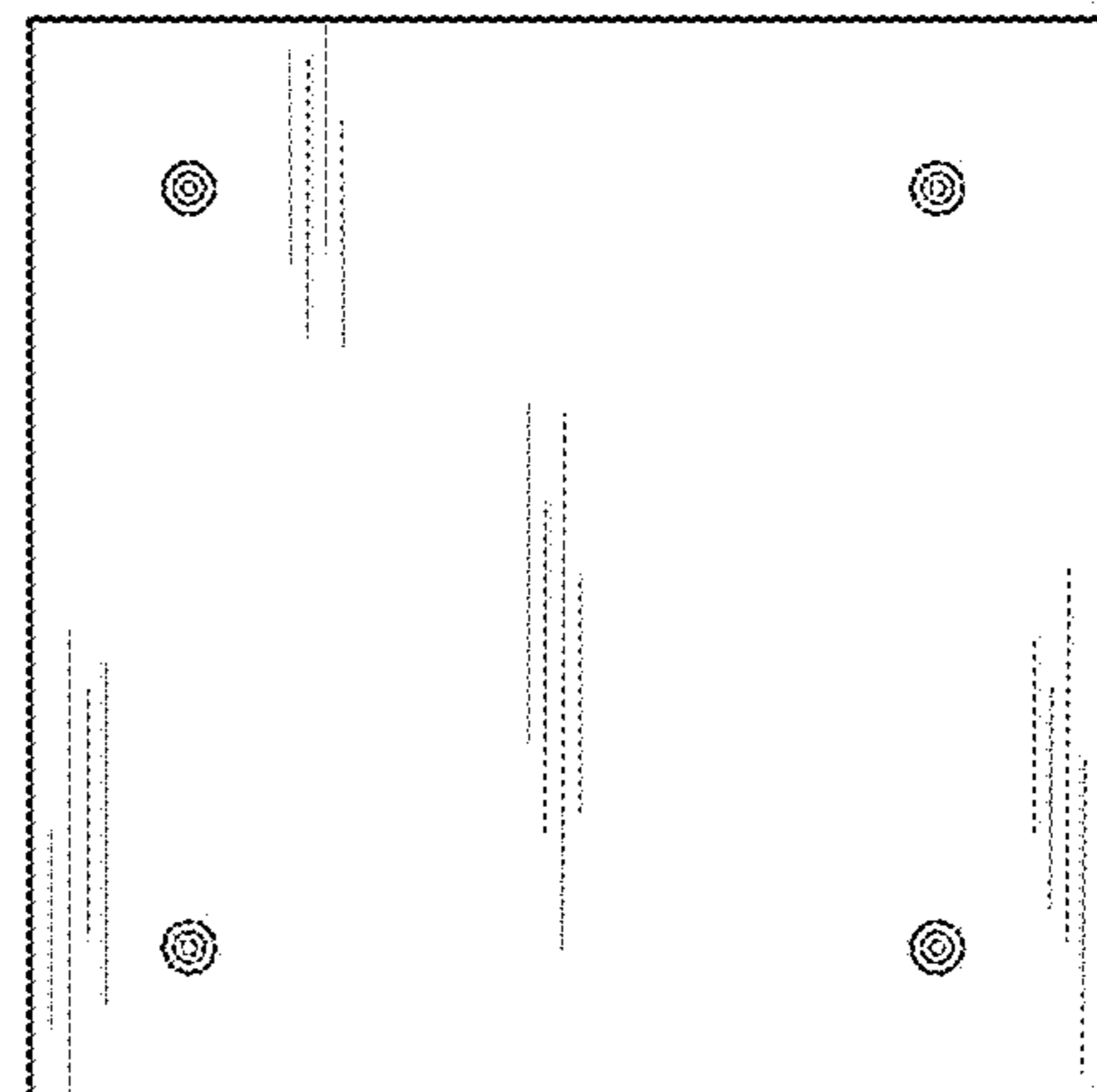


Fig. 4

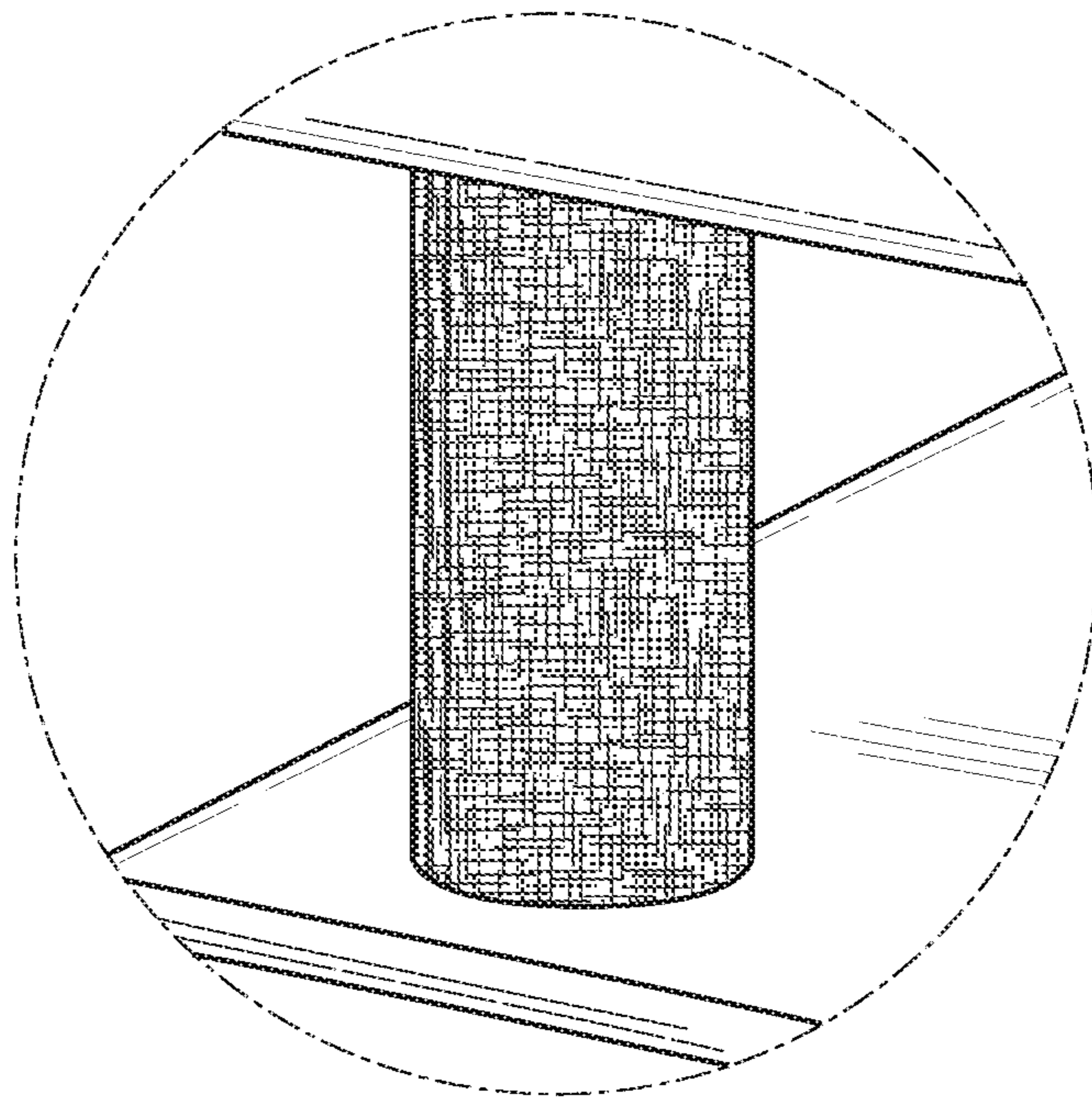


Fig. 5