



US00D776883S

(12) **United States Design Patent**  
**DiOrio**

(10) **Patent No.:** **US D776,883 S**  
(45) **Date of Patent:** **\*\* Jan. 17, 2017**

(54) **HUMMINGBIRD FEEDER**

(71) Applicant: **Aspects, Inc.**, Warren, RI (US)

(72) Inventor: **Kenneth M. DiOrio**, Warren, RI (US)

(73) Assignee: **ASPECTS, INC.**, Warren, RI (US)

(\*\*) Term: **15 Years**

(21) Appl. No.: **29/556,622**

(22) Filed: **Mar. 2, 2016**

(51) **LOC (10) Cl.** ..... **30-03**

(52) **U.S. Cl.**  
USPC ..... **D30/124; D30/128; D30/127**

(58) **Field of Classification Search**  
USPC ..... D30/121, 124, 127, 128, 133, 114, 115, D30/116, 117, 118, 119, 125, 126; 119/51.03, 57.8, 51.01, 52.2, 710, 711, 119/52.3, 464, 707, 709, 57.9, 124, 51.04; 43/2, 131, 107, 121, 122, 124, 132.1, 43/133; 47/86, 65, 65.5, 67, 47/39, 41.12, 47/79; 426/1, 439, 556; D11/121, D11/120, 79, 117; 428/10, 18, 27; D7/352, 356; 156/256, 263; 66/170; 99/372, 377, 403; 425/318, 395, 404; 248/175, 27.8; 211/85.31, 88.03, 23; 362/122, 227, 249.15, 249.16, 249.18, 362/806; D22/122

CPC ..... A01K 39/00–39/0125; A01K 39/02; A01K 39/0206; A01K 39/04

See application file for complete search history.

D536,490 S 2/2007 Colvin et al.  
D536,838 S 2/2007 Colvin et al.  
D536,839 S 2/2007 Colvin et al.  
D541,993 S 5/2007 Colvin et al.  
7,231,890 B2 \* 6/2007 Colvin ..... A01K 39/014  
119/72

D588,756 S 3/2009 Colvin et al.  
D589,213 S 3/2009 Colvin et al.  
D696,820 S \* 12/2013 DiOrio ..... D30/124  
9,351,479 B2 \* 5/2016 Chen  
2006/0065202 A1 \* 3/2006 Fort, II ..... A01K 39/04  
119/72

2008/0251025 A1 \* 10/2008 Guay ..... A01K 39/024  
119/78

2011/0073043 A1 \* 3/2011 Dault ..... A01K 39/0113  
119/57.9

2012/0060762 A1 \* 3/2012 Cowger ..... A01K 39/0206  
119/74

2013/0284103 A1 \* 10/2013 Colvin ..... A01K 39/024  
119/78

2014/0109835 A1 \* 4/2014 Colvin ..... A01K 39/0206  
119/74

2015/0020742 A1 \* 1/2015 Faunce ..... A01K 39/024  
119/78

\* cited by examiner

*Primary Examiner* — Susan Moon Lee  
(74) *Attorney, Agent, or Firm* — Barlow, Josephs & Holmes, Ltd.

(57) **CLAIM**

The ornamental design for a hummingbird feeder, as shown and described.

**DESCRIPTION**

FIG. 1 is a perspective view of a hummingbird feeder showing my design;  
FIG. 2 is a front view thereof;  
FIG. 3 is a right side view thereof;  
FIG. 4 is a rear view thereof;  
FIG. 5 is a top view thereof;  
FIG. 6 is a left side view thereof;  
FIG. 7 is a bottom view thereof; and,  
FIG. 8 is a lower perspective view thereof.

(Continued)

(56) **References Cited**

U.S. PATENT DOCUMENTS

1,372,371 A \* 3/1921 Ross ..... A01K 39/04  
119/51.5

D252,288 S \* 7/1979 Kilham ..... D30/125

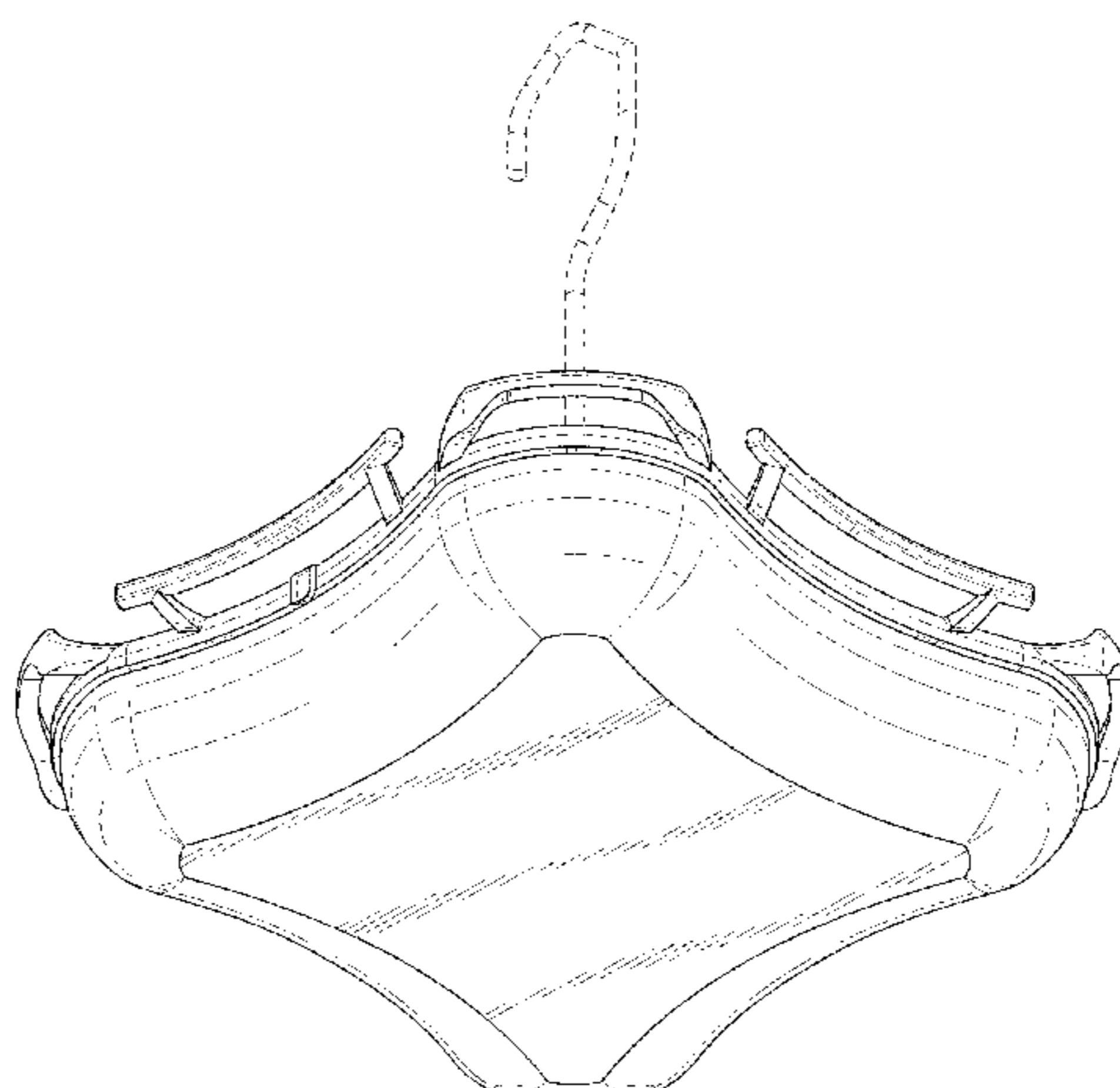
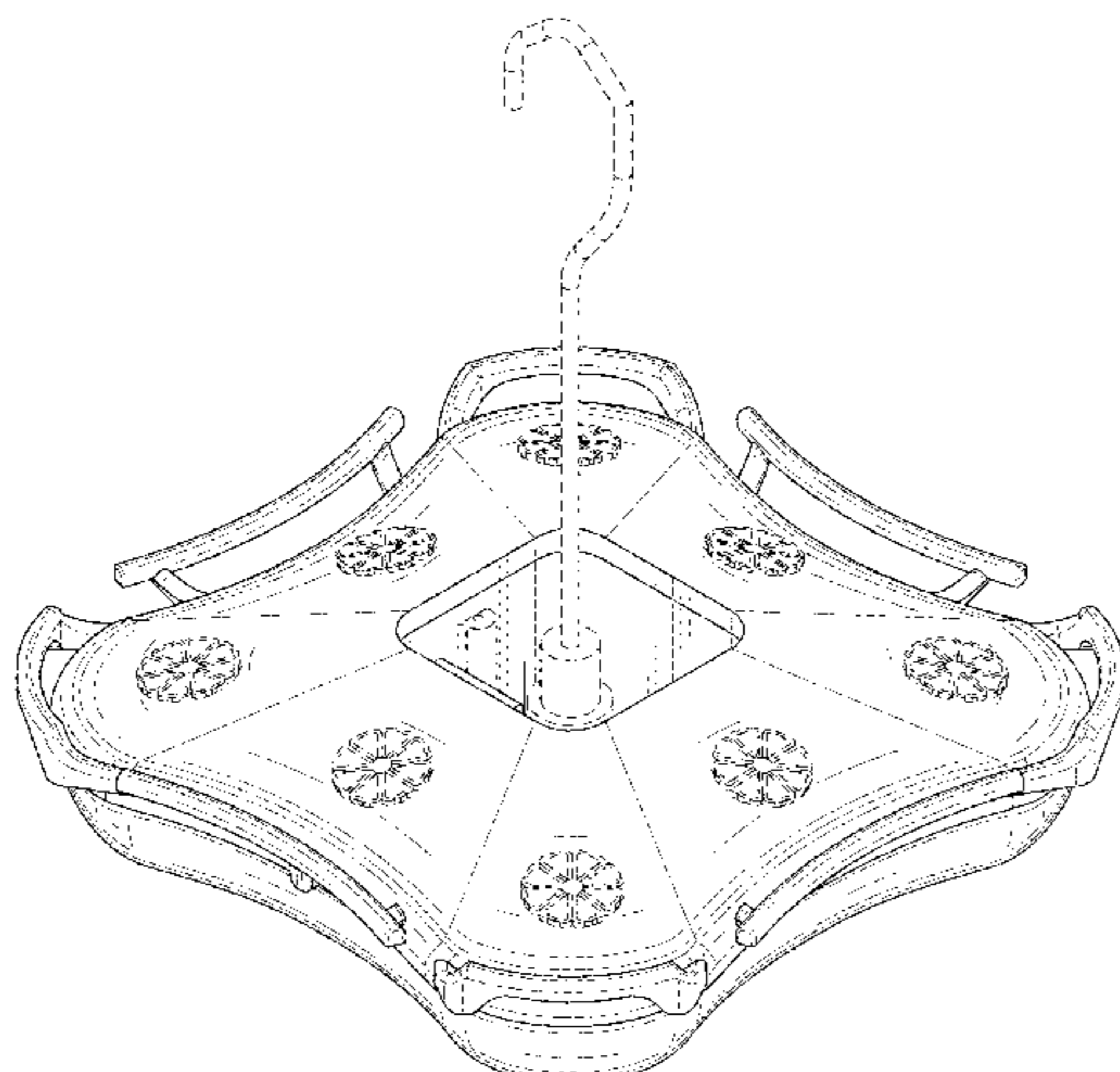
D330,097 S \* 10/1992 Bescherer ..... D30/124

5,269,258 A 12/1993 Brown

D382,376 S \* 8/1997 Bescherer ..... D30/124

D505,521 S \* 5/2005 Schrodt ..... 119/51.01

D514,749 S \* 2/2006 Fort, II ..... D30/124



The elements depicted in broken line in the various figures are included for environmental purposes only, and form no part of the claimed design.

**1 Claim, 8 Drawing Sheets**

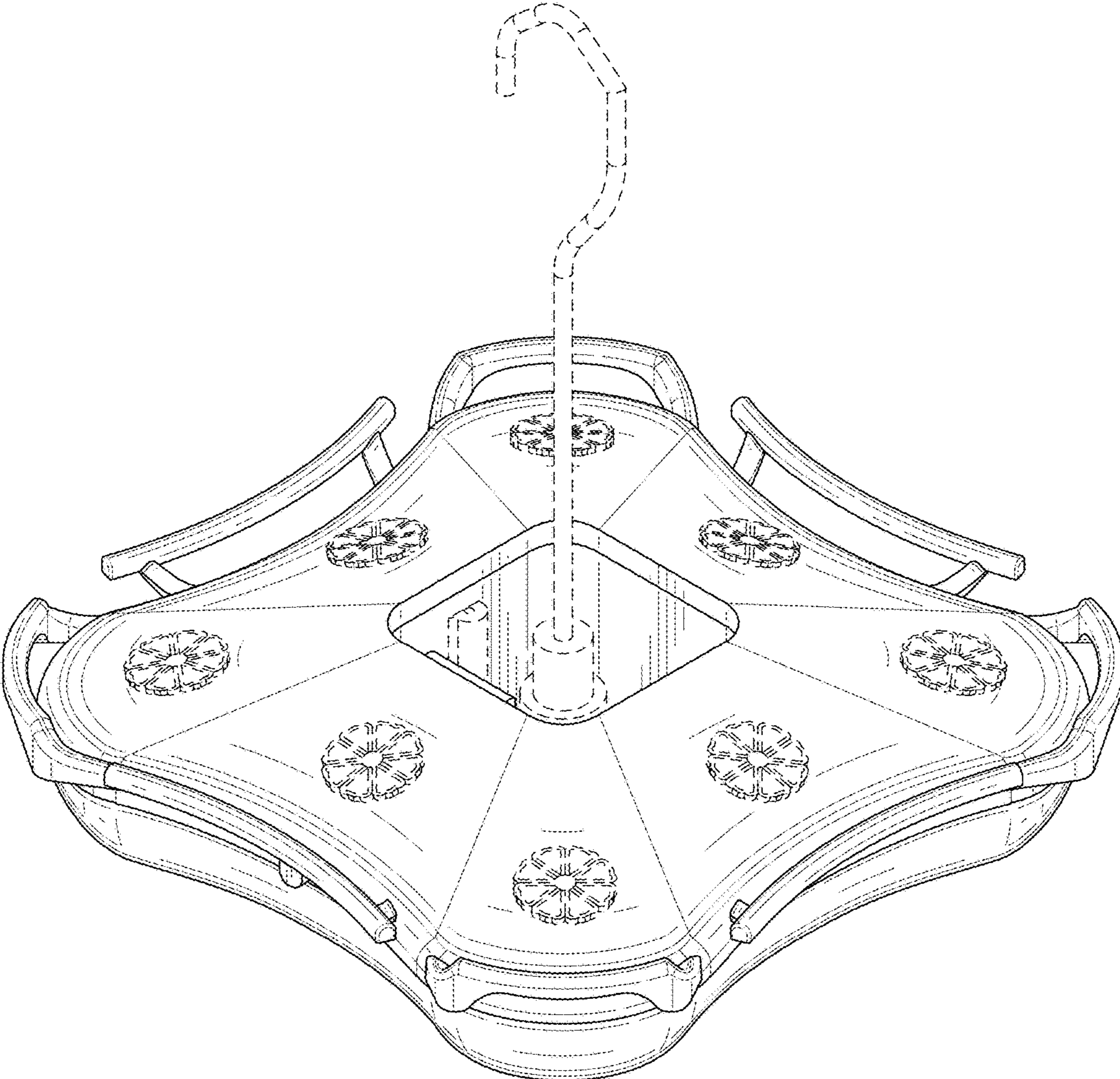


FIG. 1

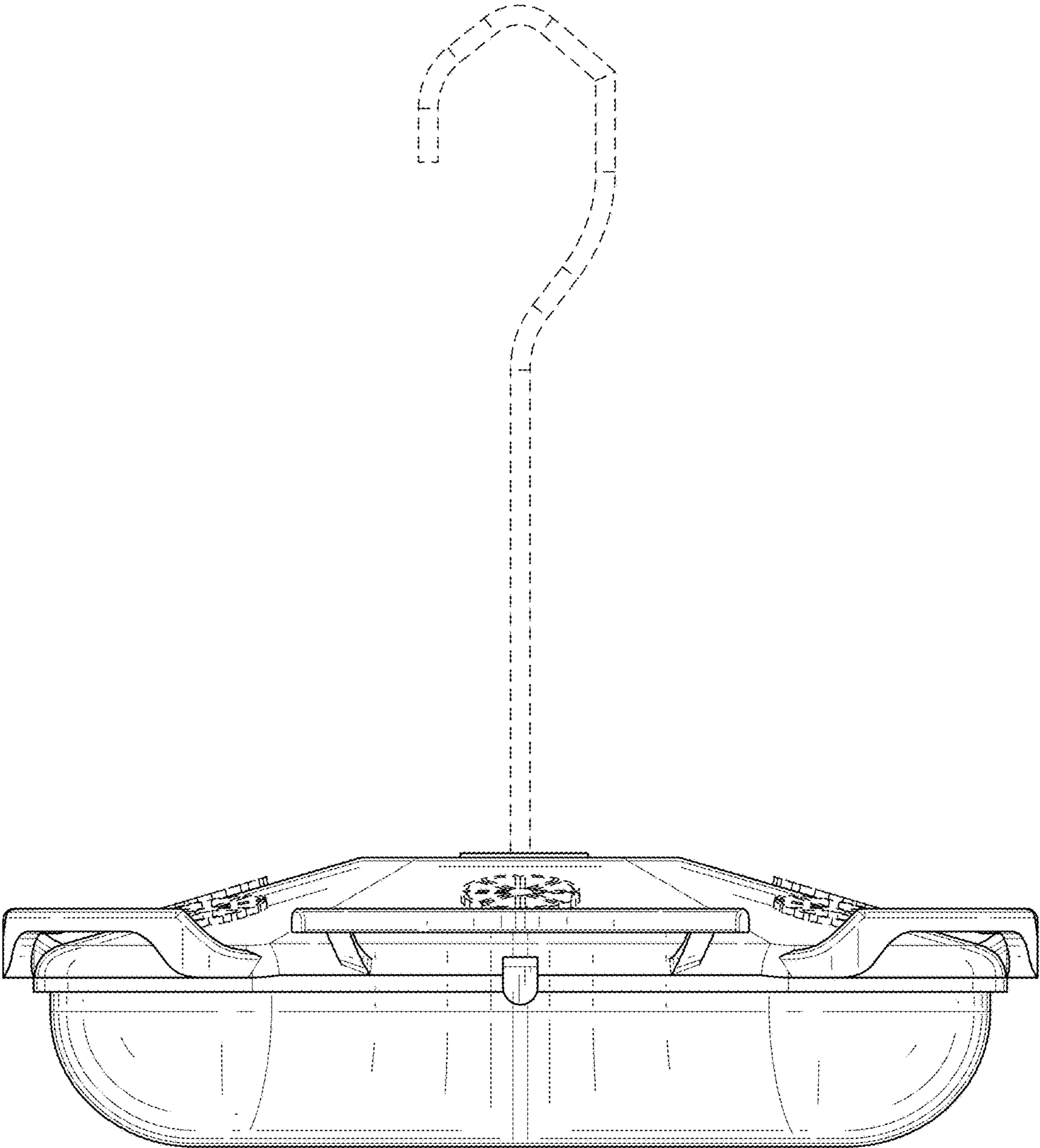


FIG. 2

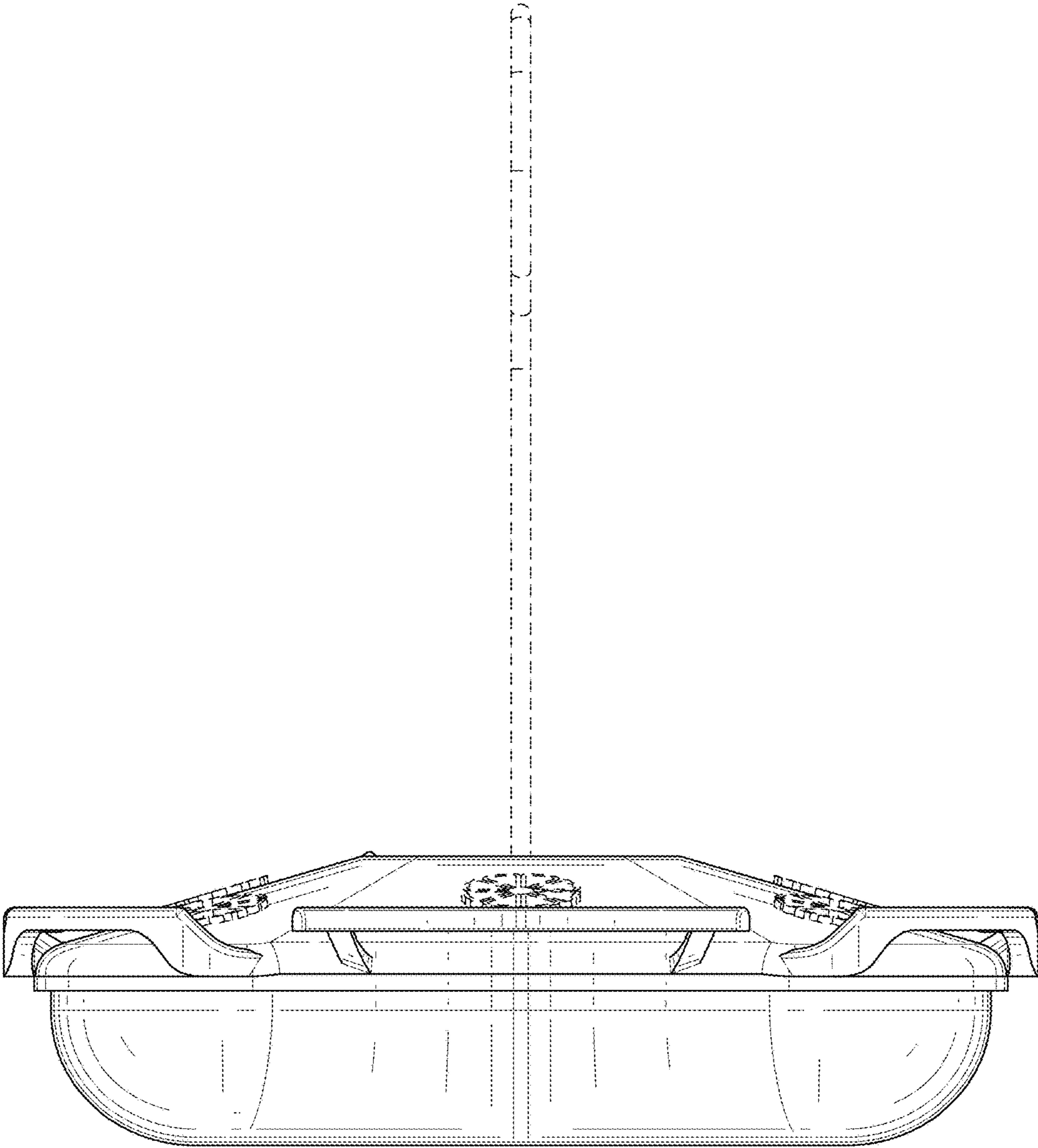


FIG. 3

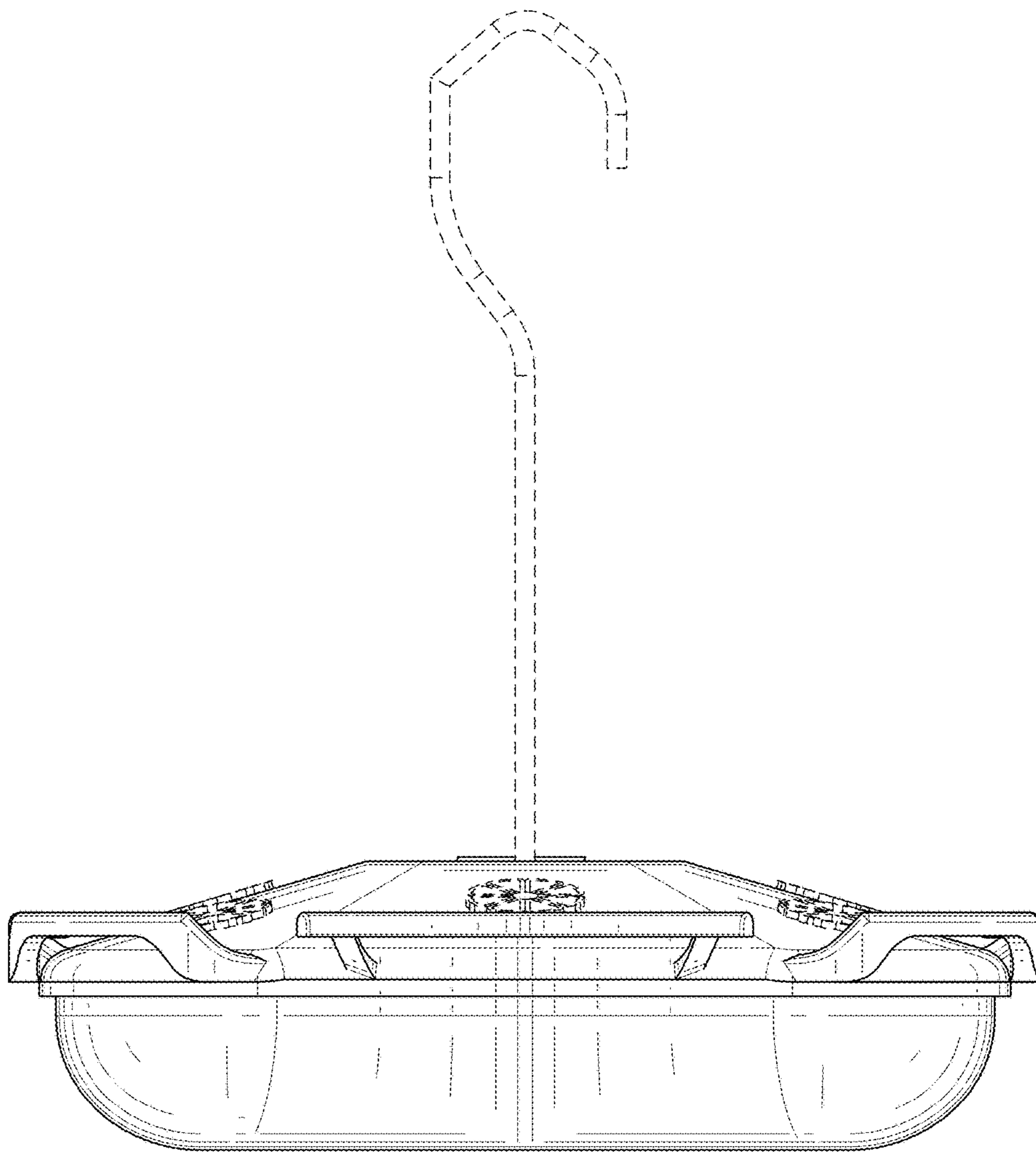


FIG. 4

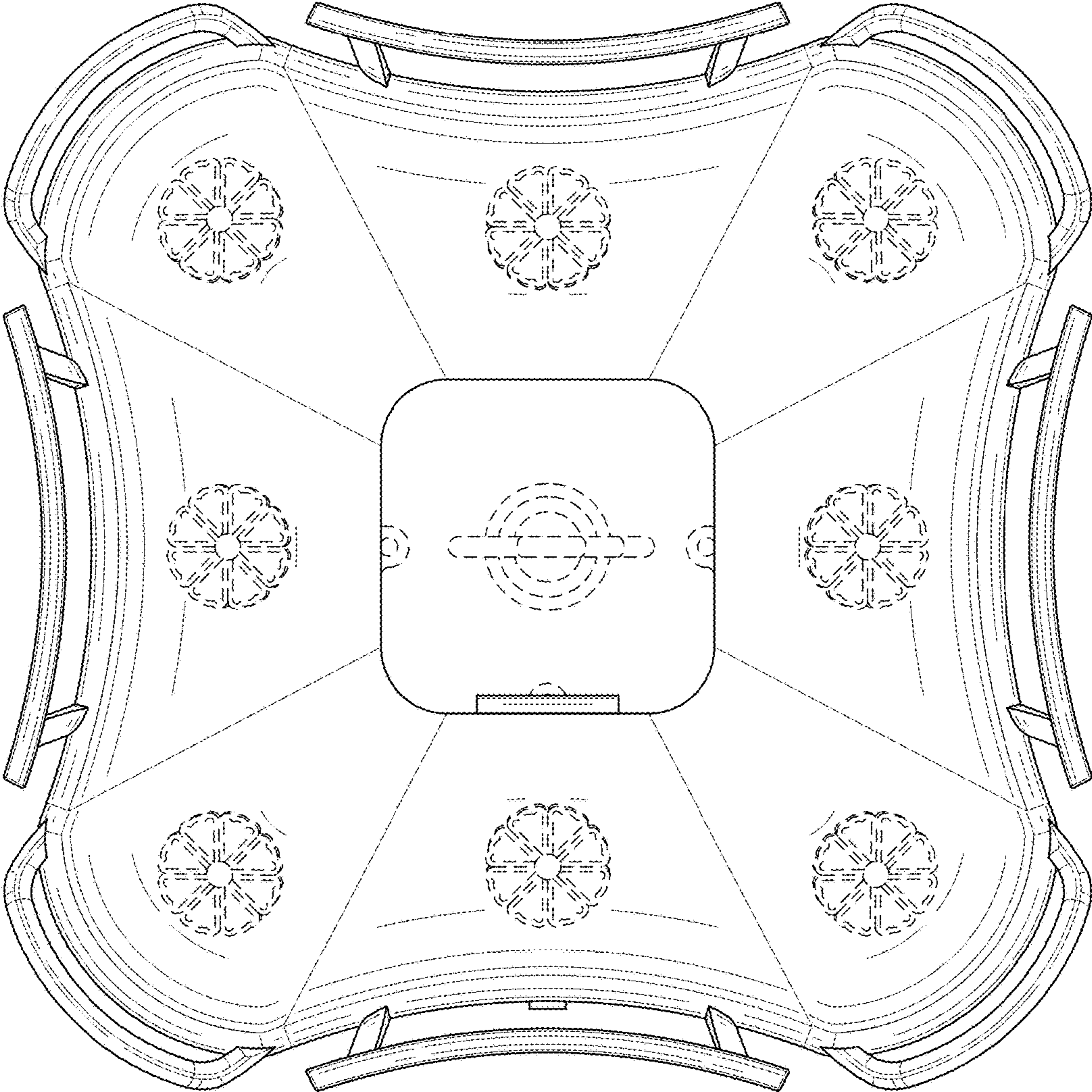


FIG. 5

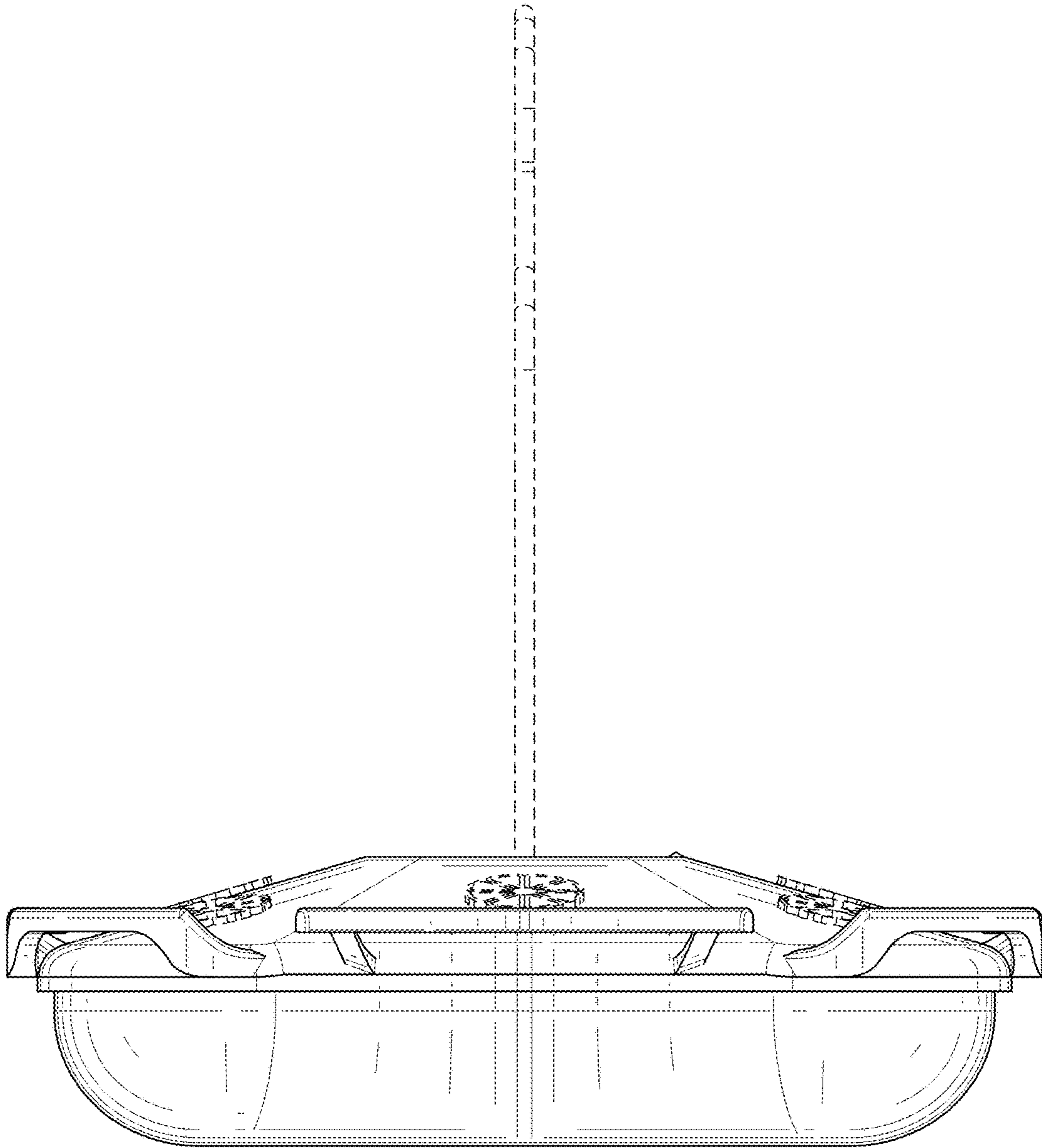


FIG. 6



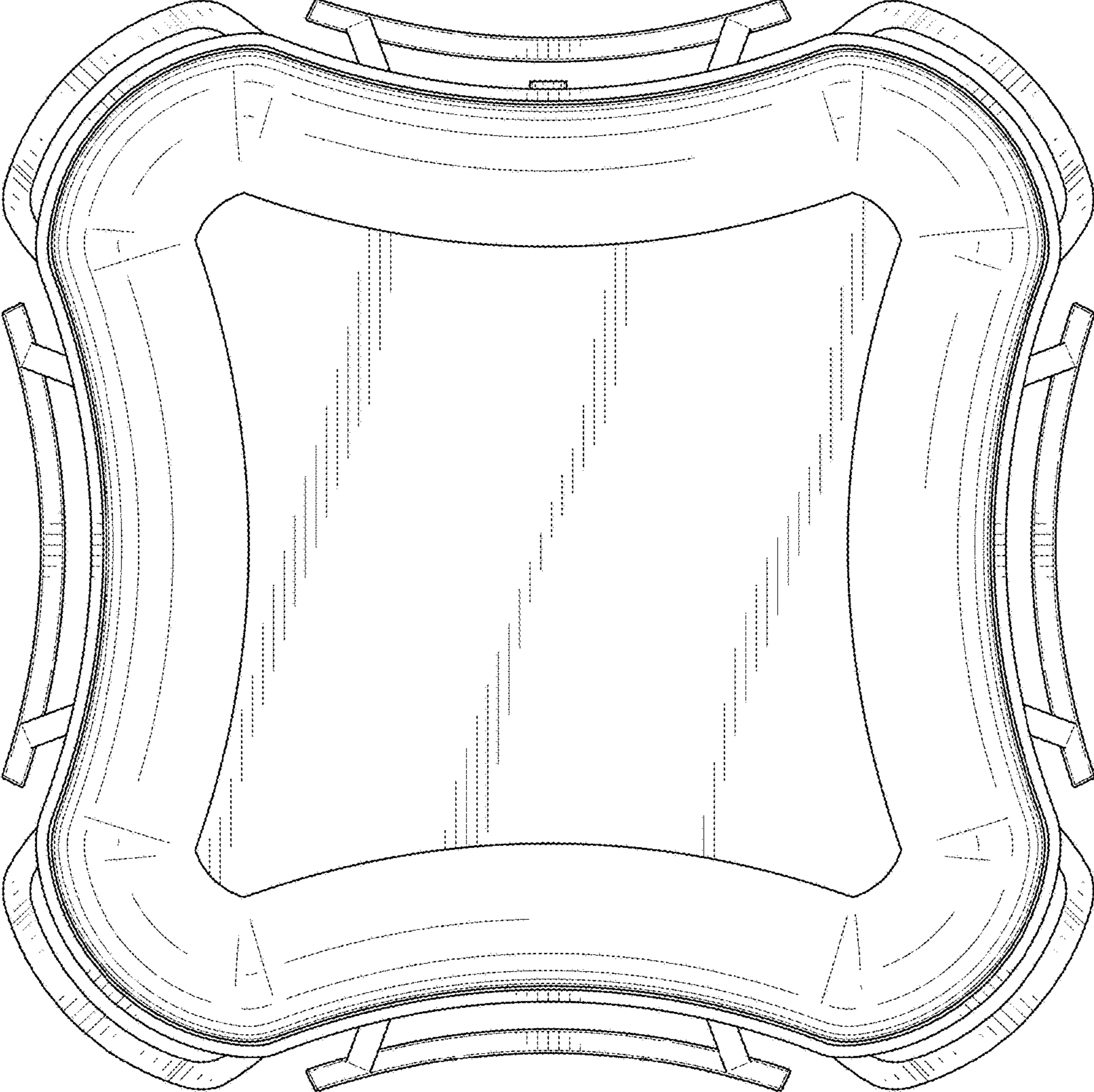


FIG. 7

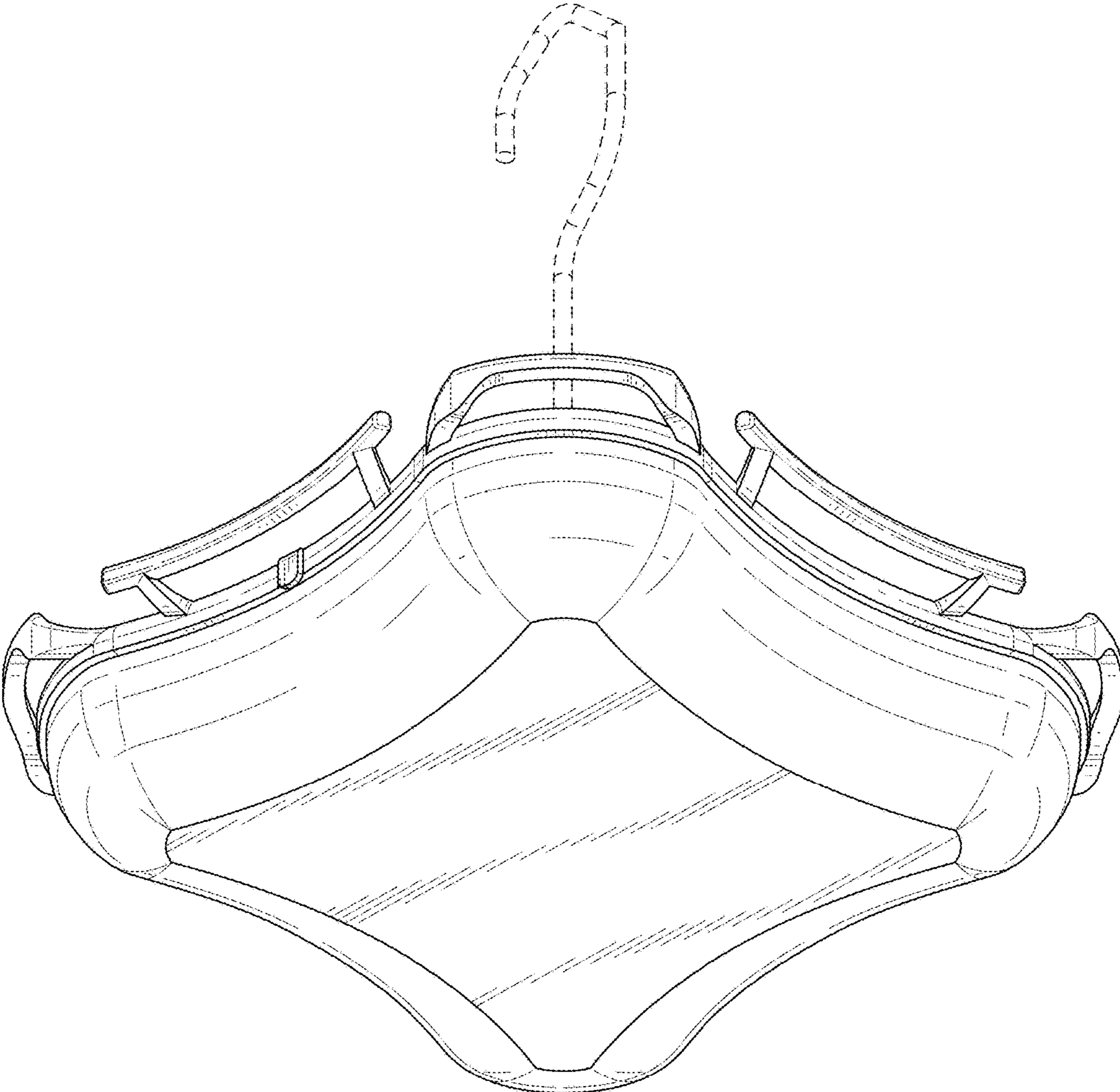


FIG. 8