



US00D776881S

(12) **United States Design Patent**
Velasquez

(10) **Patent No.:** **US D776,881 S**

(45) **Date of Patent:** **** Jan. 17, 2017**

(54) **PROTECTIVE HELMET**

(71) Applicant: **VeeBeeZee Licensing LLC**, Tulsa, OK (US)

(72) Inventor: **Michael Velasquez**, Tulsa, OK (US)

(73) Assignee: **VeeBeeZee Licensing LLC**, Tulsa, OK (US)

(**) Term: **15 Years**

(21) Appl. No.: **29/540,588**

(22) Filed: **Sep. 25, 2015**

(51) **LOC (10) Cl.** **29-02**

(52) **U.S. Cl.**
USPC **D29/102**

(58) **Field of Classification Search**
USPC D29/102-107, 122
CPC A63B 71/10; A63B 71/222; A63B 71/04;
A63B 71/166; A63B 71/288; A63B 71/32;
A63B 71/105; A42B 3/222; A42B 3/166;
A42B 3/04; A42B 3/228; A42B
3/32; A42B 3/105; A01K 55/00

See application file for complete search history.

(56) **References Cited**

U.S. PATENT DOCUMENTS

D373,238 S * 9/1996 Ricciardi D2/866
D689,244 S * 9/2013 Willis D29/102
D695,461 S 12/2013 Velasquez

* cited by examiner

Primary Examiner — Robert Delehanty

(74) *Attorney, Agent, or Firm* — Crowe & Dunlevy, P.C.

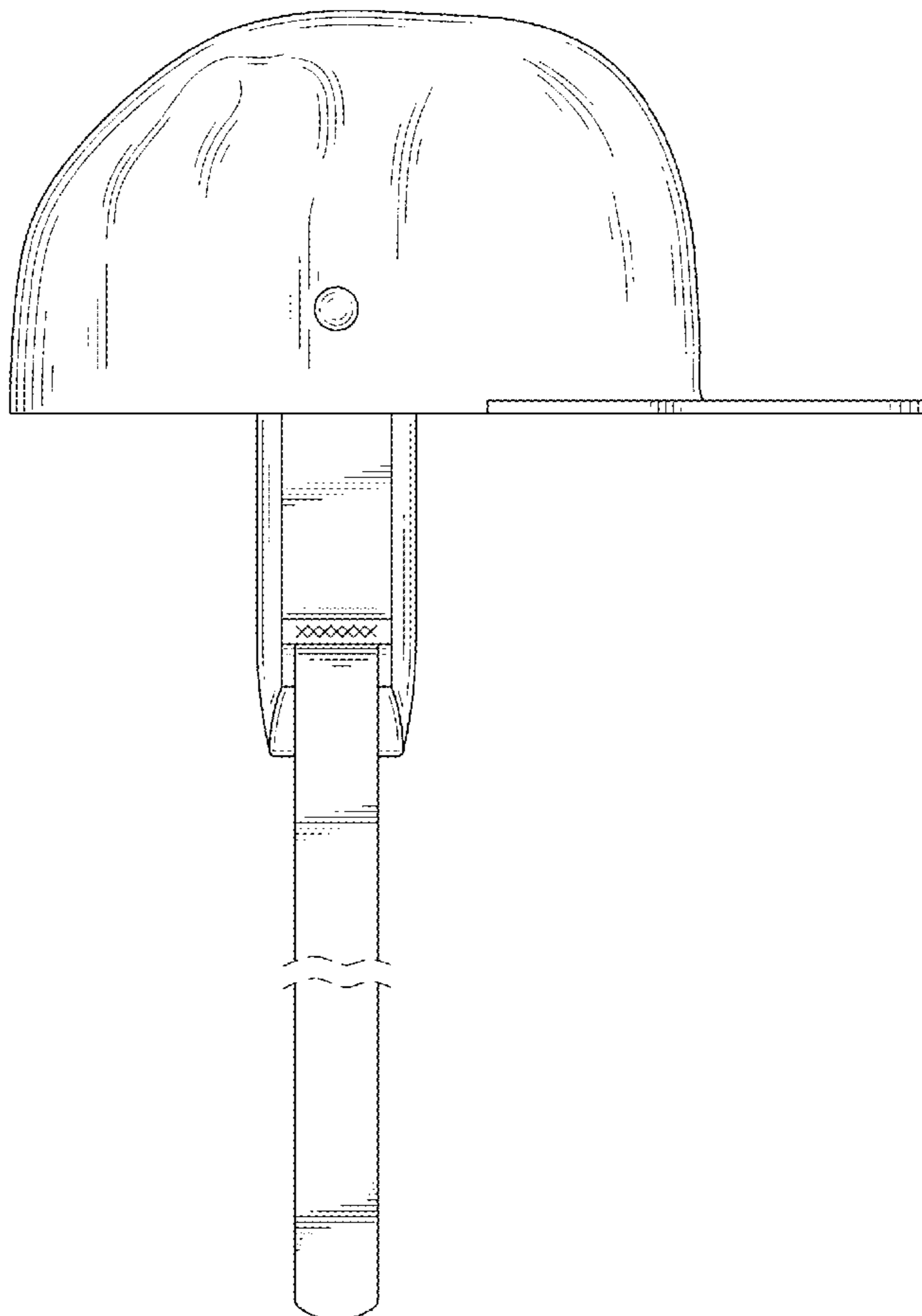
(57) **CLAIM**

The ornamental design for a protective helmet, as shown and described.

DESCRIPTION

FIG. 1 is a right side view of a protective helmet showing the design;
FIG. 2 is a left side view thereof;
FIG. 3 is a front view thereof;
FIG. 4 is a rear view thereof;
FIG. 5 is a top view thereof; and,
FIG. 6 is a bottom view thereof.
The ornamental design which is claimed is shown in solid lines in the drawings. The broken lines of the drawings are for illustrative purposes only and form no part of the claimed design.

1 Claim, 4 Drawing Sheets



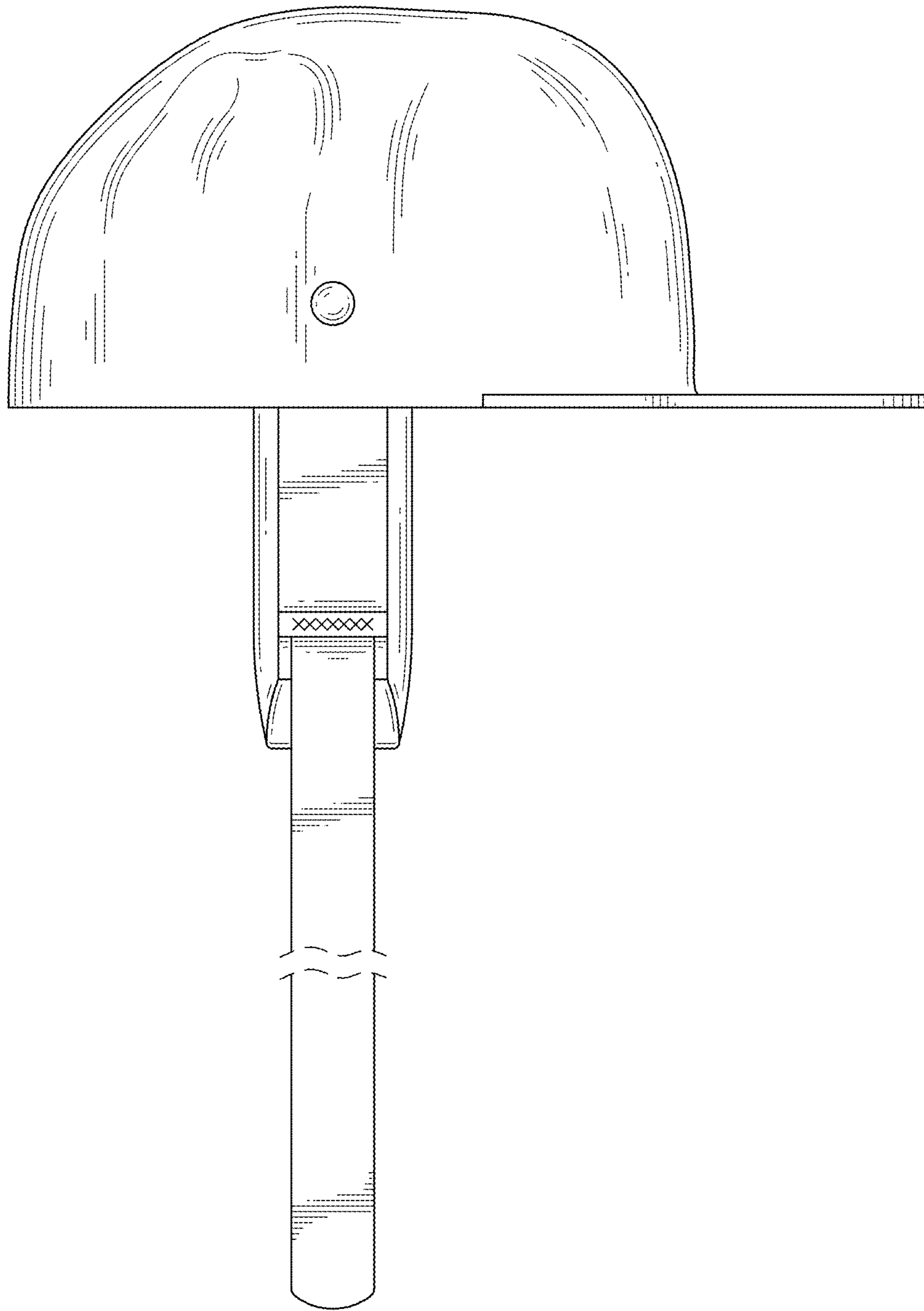


FIG. 1

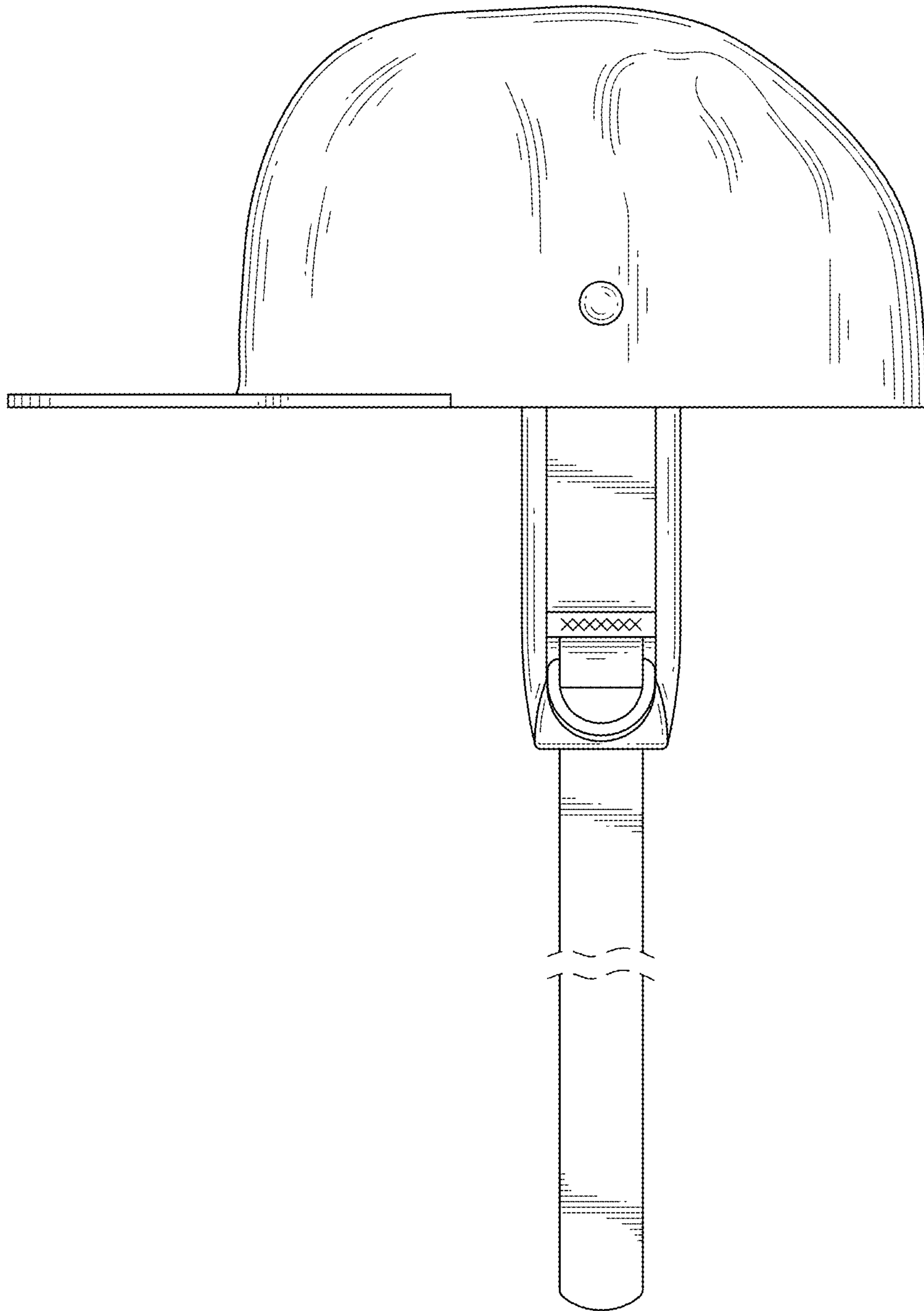


FIG. 2

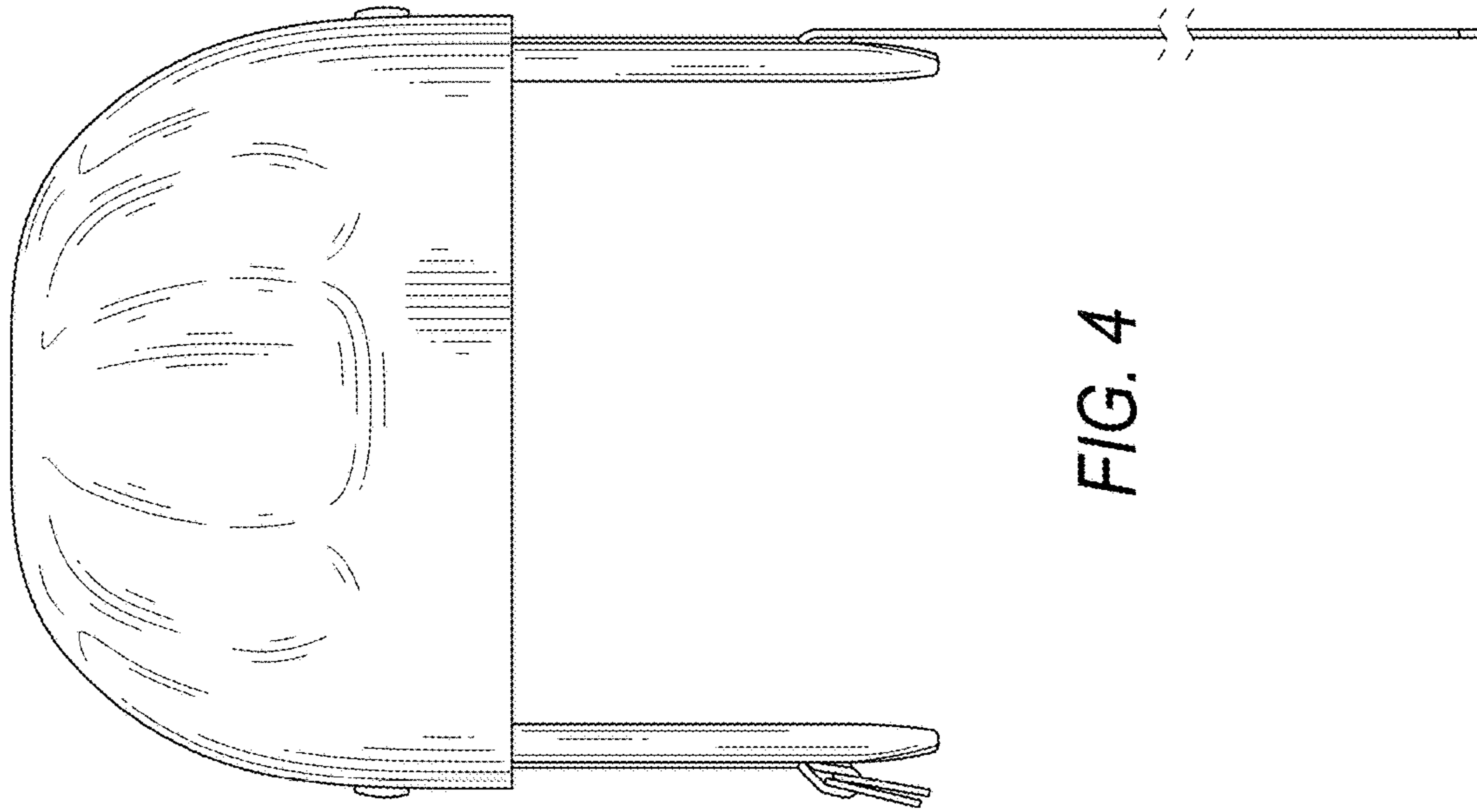


FIG. 4

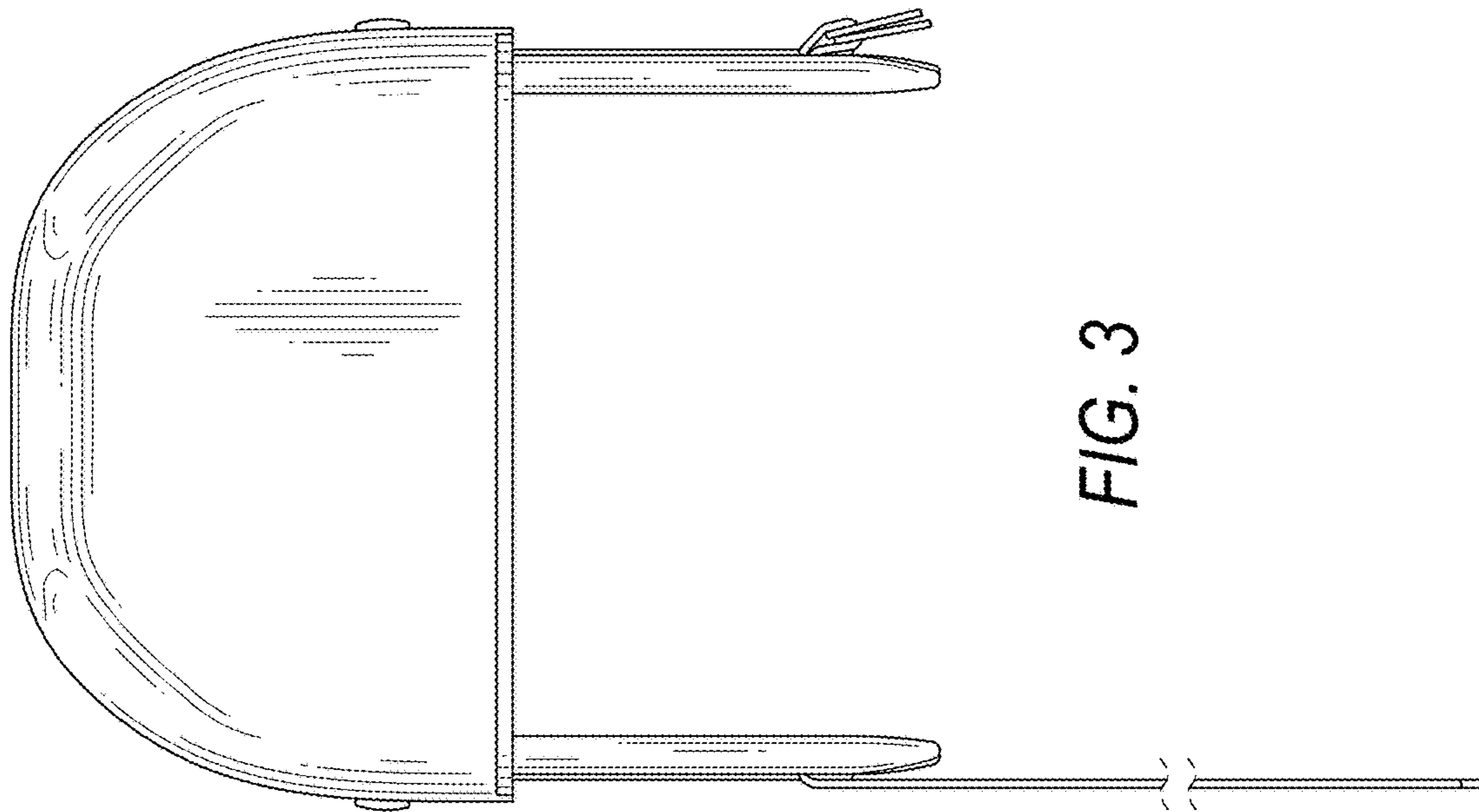


FIG. 3

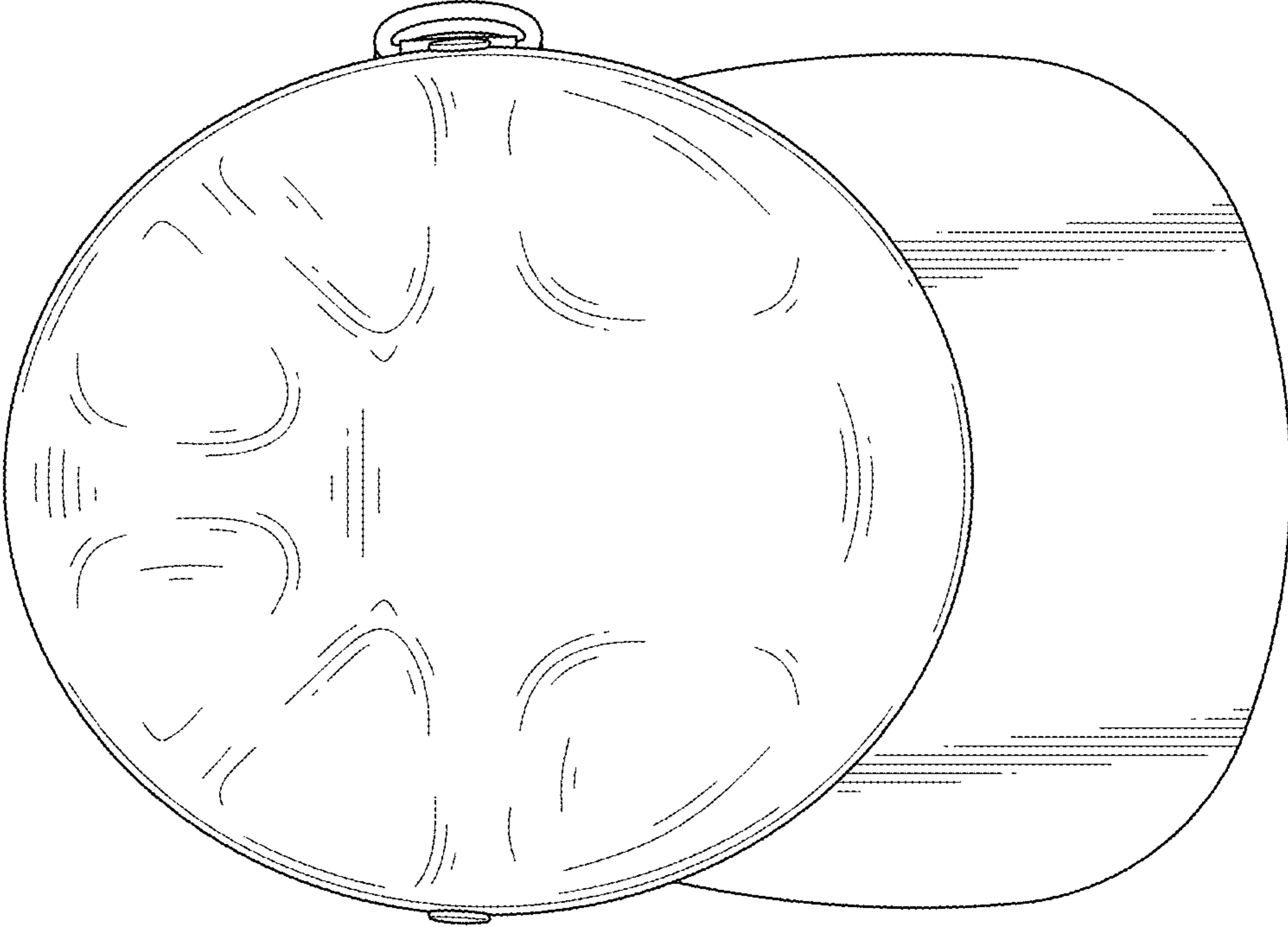


FIG. 5

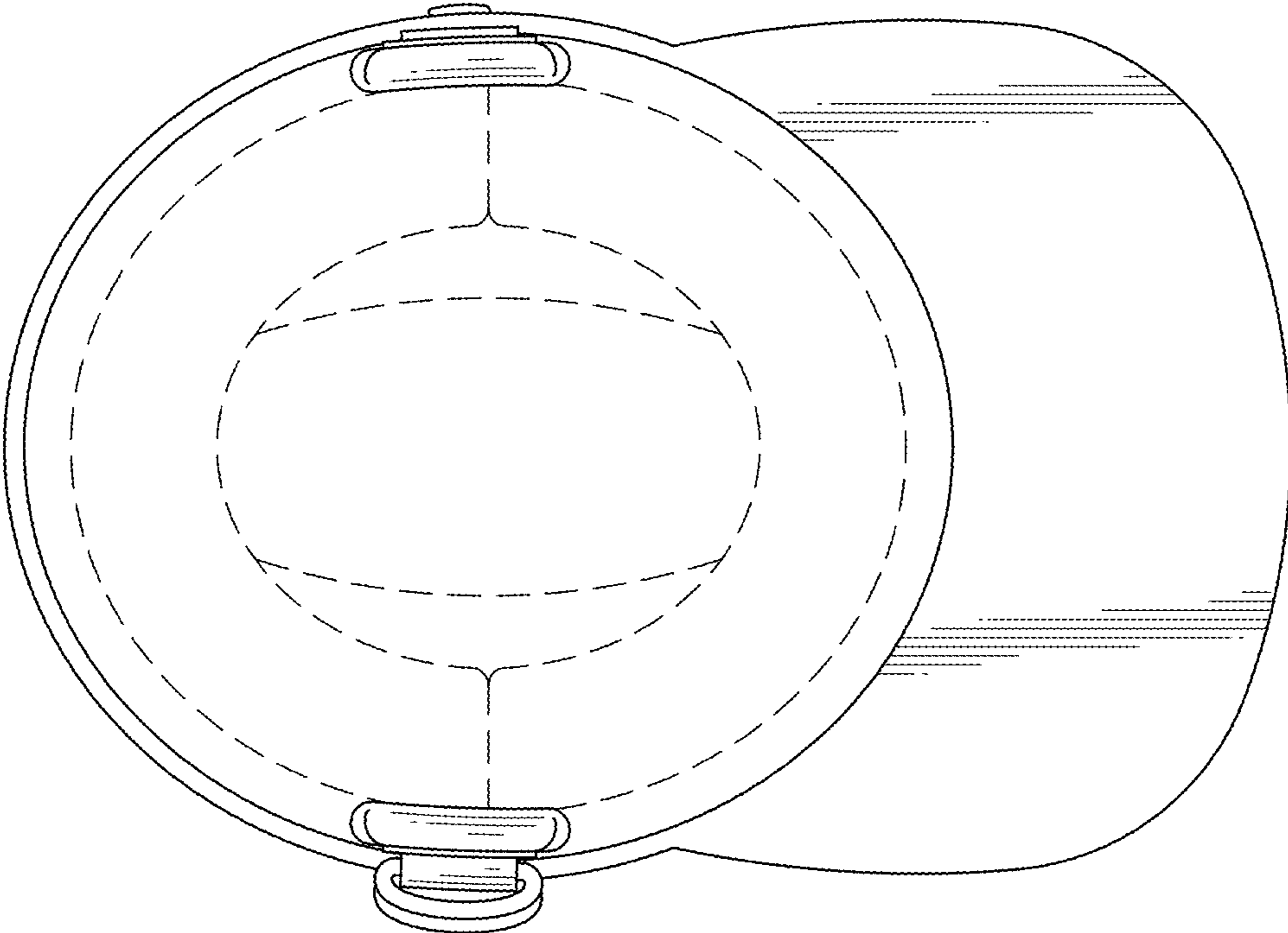


FIG. 6