



US00D776878S

(12) **United States Design Patent** (10) **Patent No.:** **US D776,878 S**
Andersson et al. (45) **Date of Patent:** **** Jan. 17, 2017**

(54) **SHAVING HEAD**

(71) Applicant: **KONINKLIJKE PHILIPS N.V.**,
Eindhoven (NL)

(72) Inventors: **Jens Peter Kophmann Andersson**,
Amsterdam (NL); **Nicole Louisa De
Klein**, Amsterdam (NL)

(73) Assignee: **KONINKLIJKE PHILIPS N.V.**,
Eindhoven (NL)

(**) Term: **15 Years**

(21) Appl. No.: **29/534,956**

(22) Filed: **Aug. 3, 2015**

(30) **Foreign Application Priority Data**

Feb. 5, 2015 (EM) 002627372

(51) **LOC (10) Cl.** **28-03**

(52) **U.S. Cl.**
USPC **D28/54**

(58) **Field of Classification Search**
USPC D28/44-44.1, 49-54
CPC B26B 19/00-19/107; B26B 19/12;
B26B 19/20-19/265; B26B 19/28-19/36;
B26B 19/38-19/48

See application file for complete search history.

(56) **References Cited**

U.S. PATENT DOCUMENTS

D756,565 S * 5/2016 Andersson D28/54
D758,661 S * 6/2016 Andersson D28/51
2014/0317932 A1 * 10/2014 Van Straaten B26B 19/06
30/34.1
2016/0059428 A1 * 3/2016 Lau B26B 19/06
30/30
2016/0236363 A1 * 8/2016 Stapelbroek B26B 19/3846

* cited by examiner

Primary Examiner — Jennifer Rivard

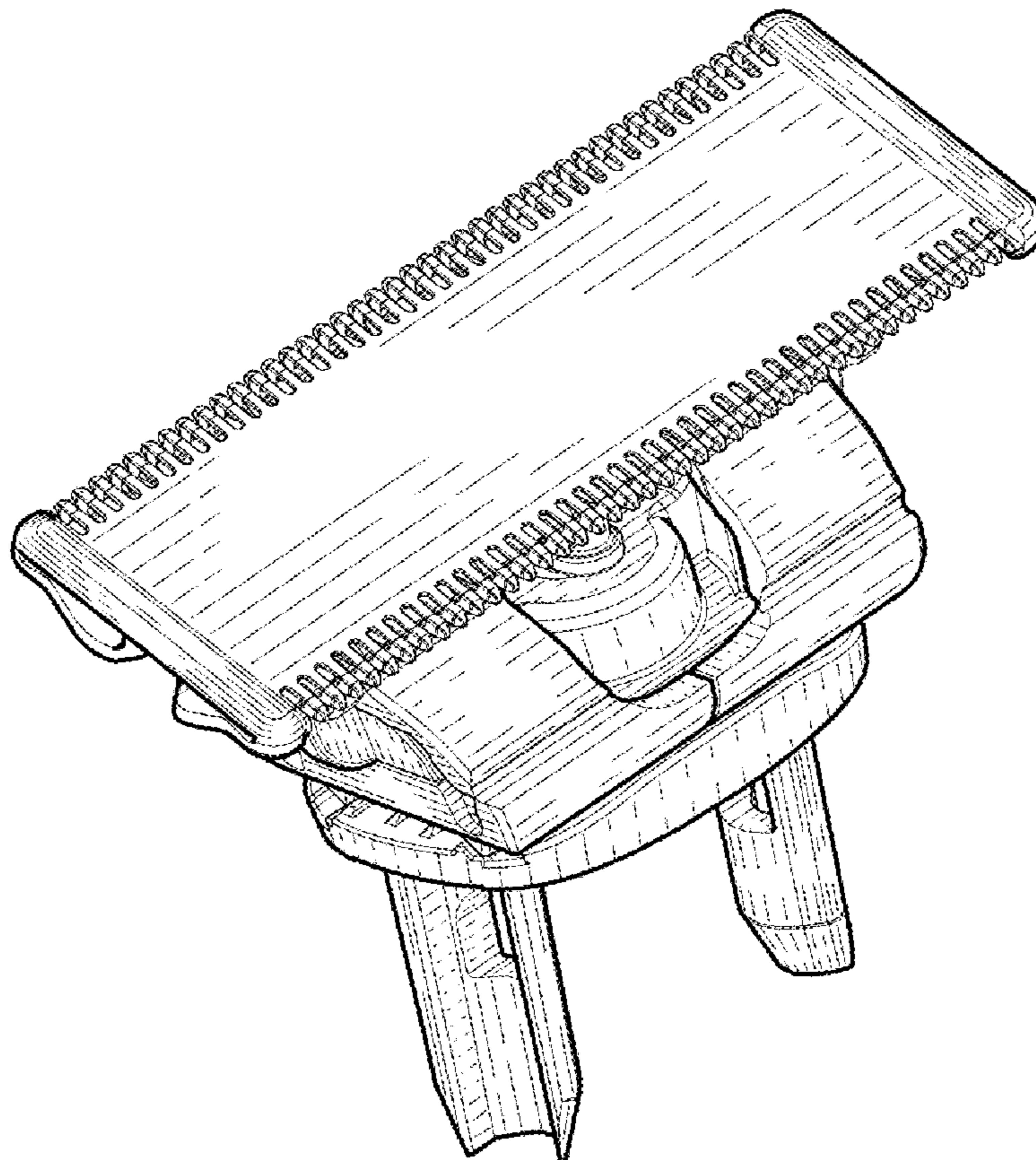
(57) **CLAIM**

The ornamental design for a shaving head, as shown.

DESCRIPTION

FIG. 1 is a perspective view showing my design;
FIG. 2 is a front elevational view thereof;
FIG. 3 is a rear elevational view thereof;
FIG. 4 is a right side elevational view thereof;
FIG. 5 is a left side elevational view thereof;
FIG. 6 is a top plan view thereof; and,
FIG. 7 is a bottom plan view thereof.

1 Claim, 3 Drawing Sheets



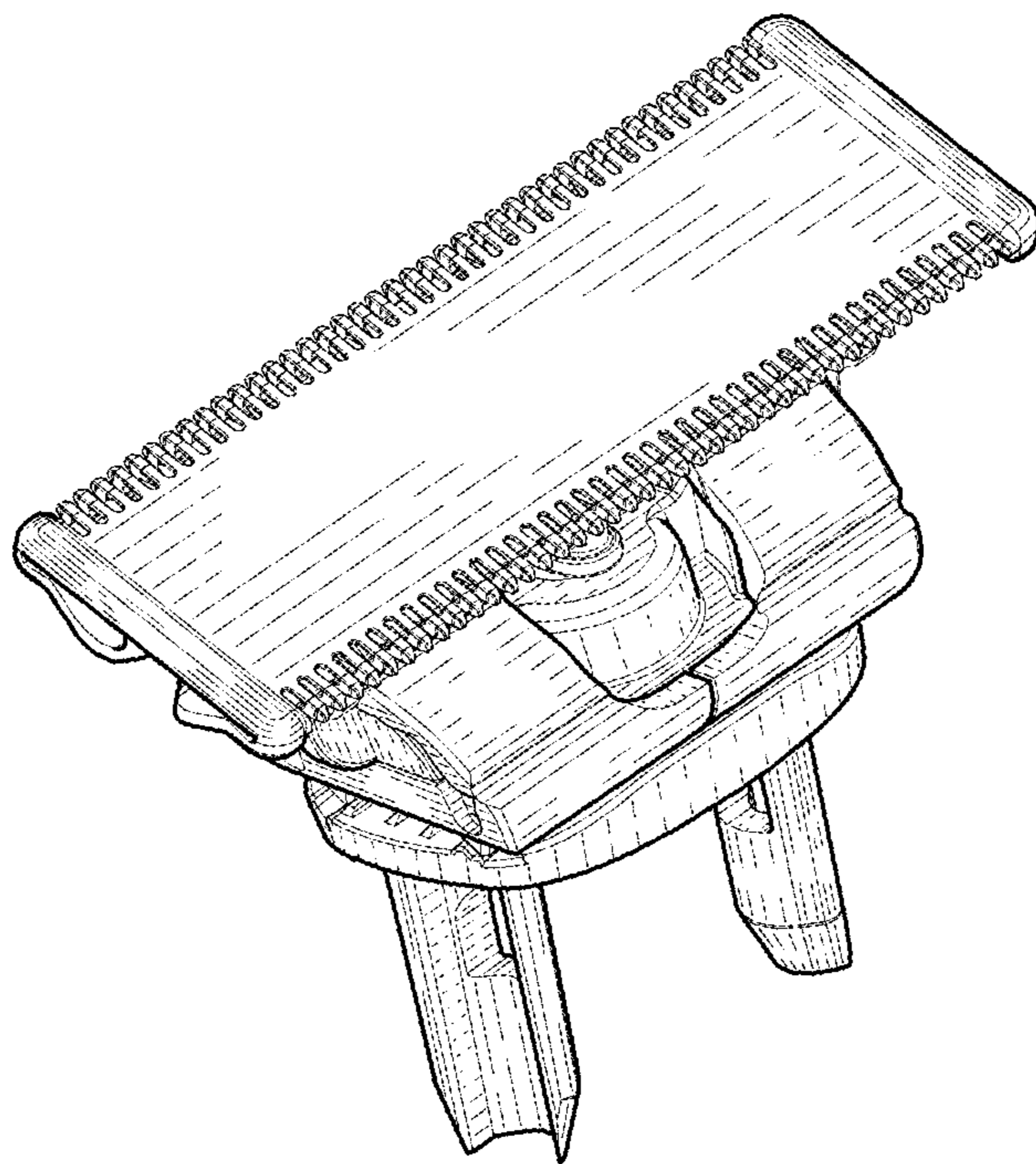


FIG. 1

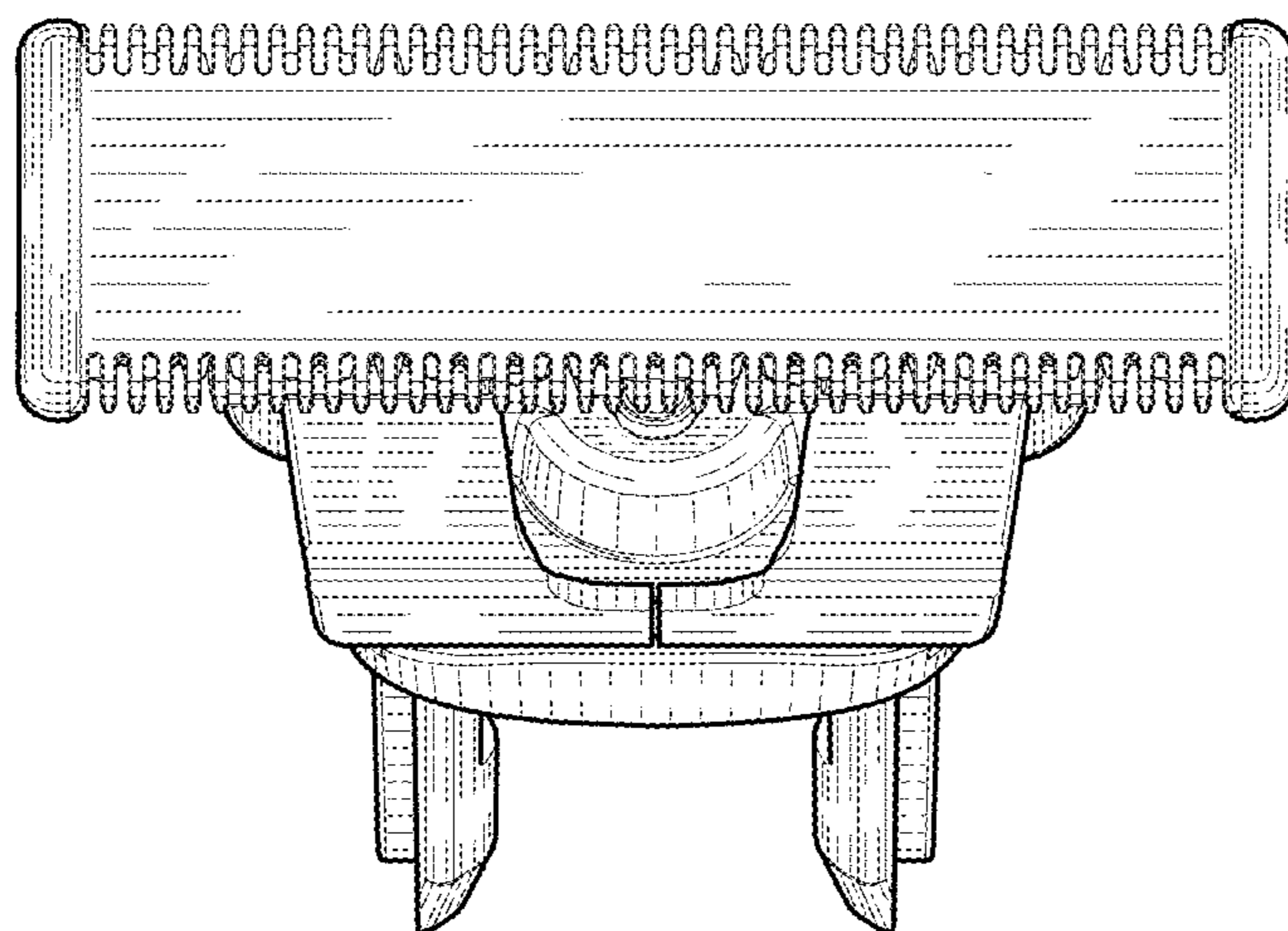


FIG. 2

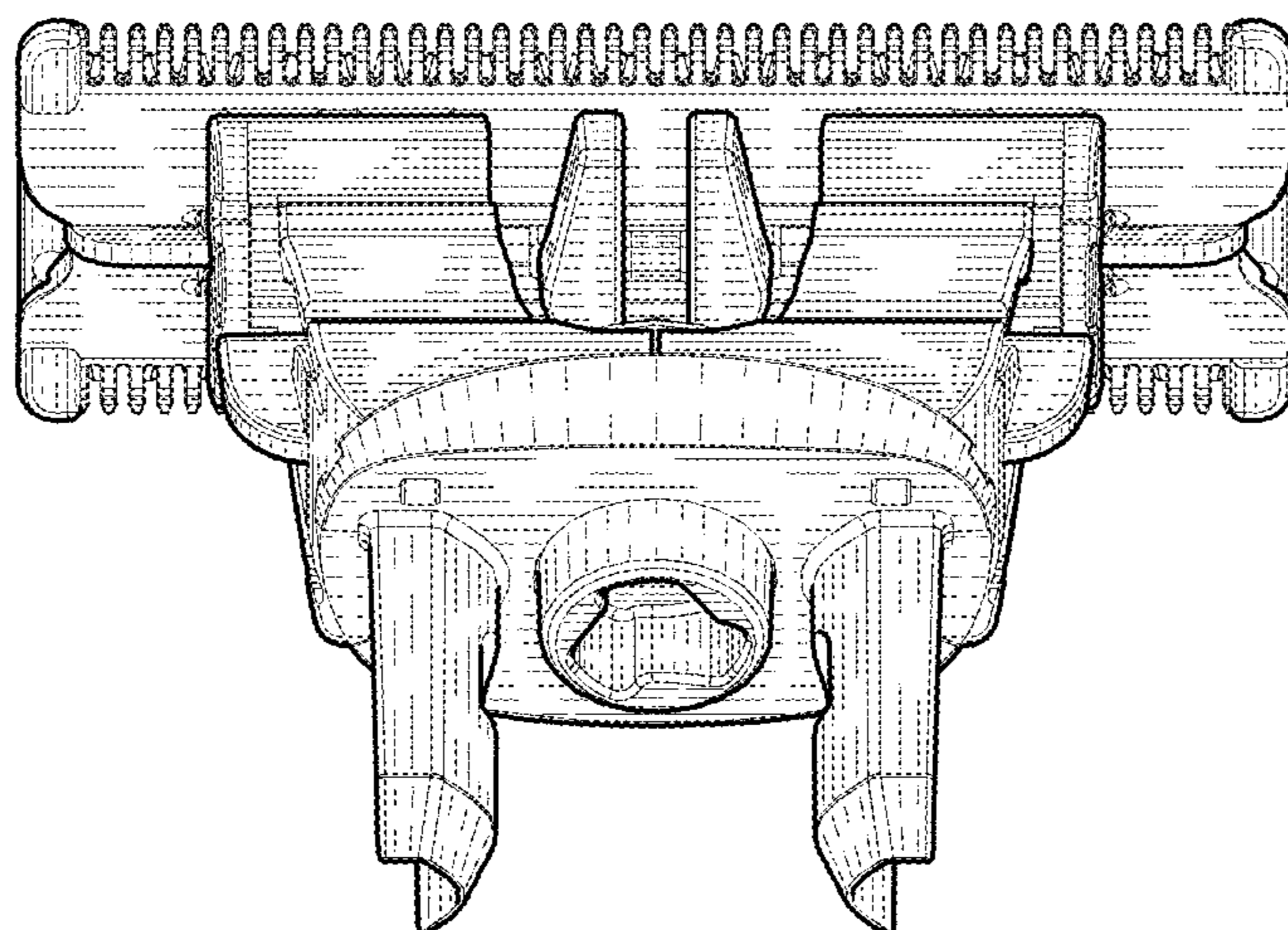


FIG. 3

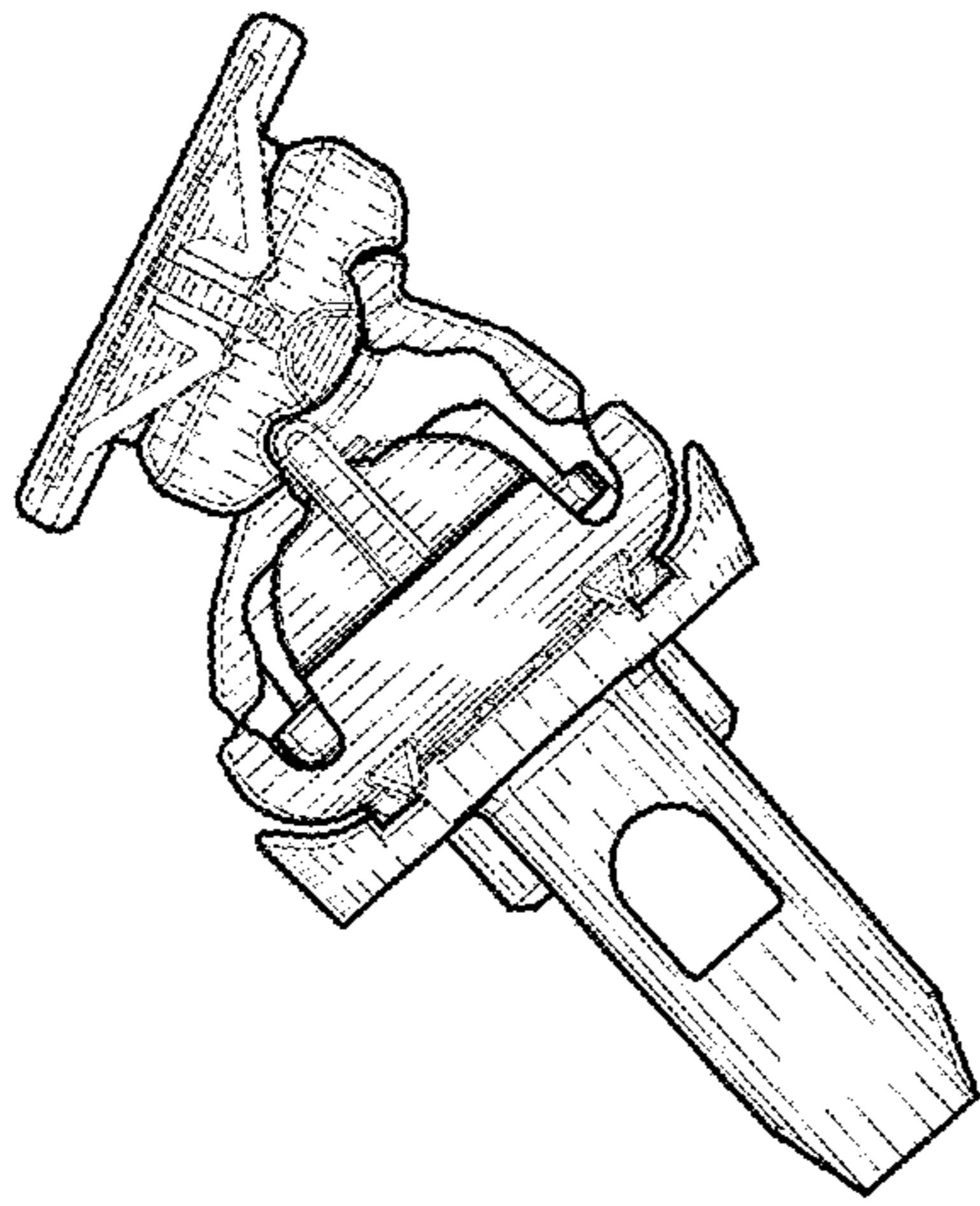


FIG. 4

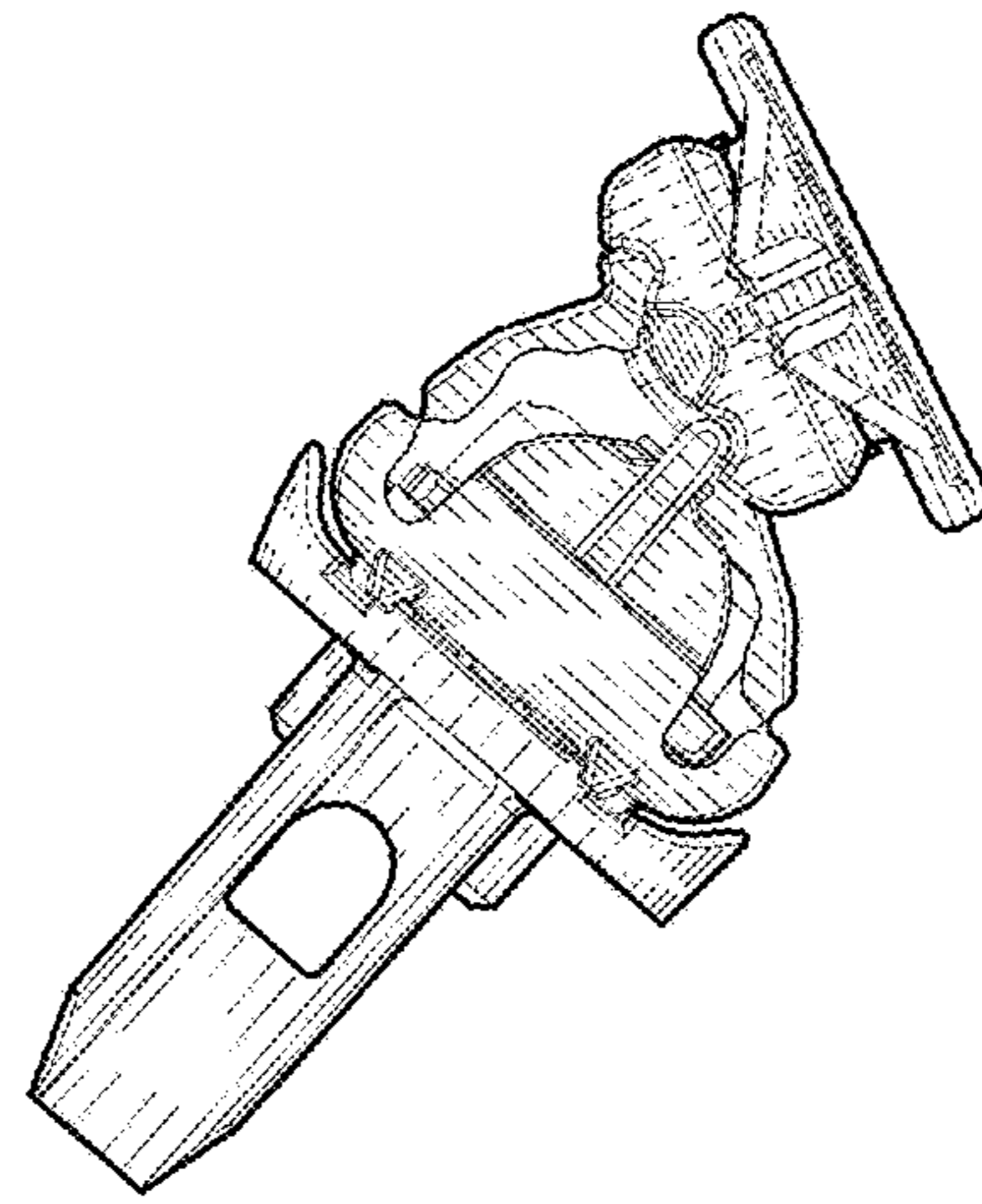


FIG. 5

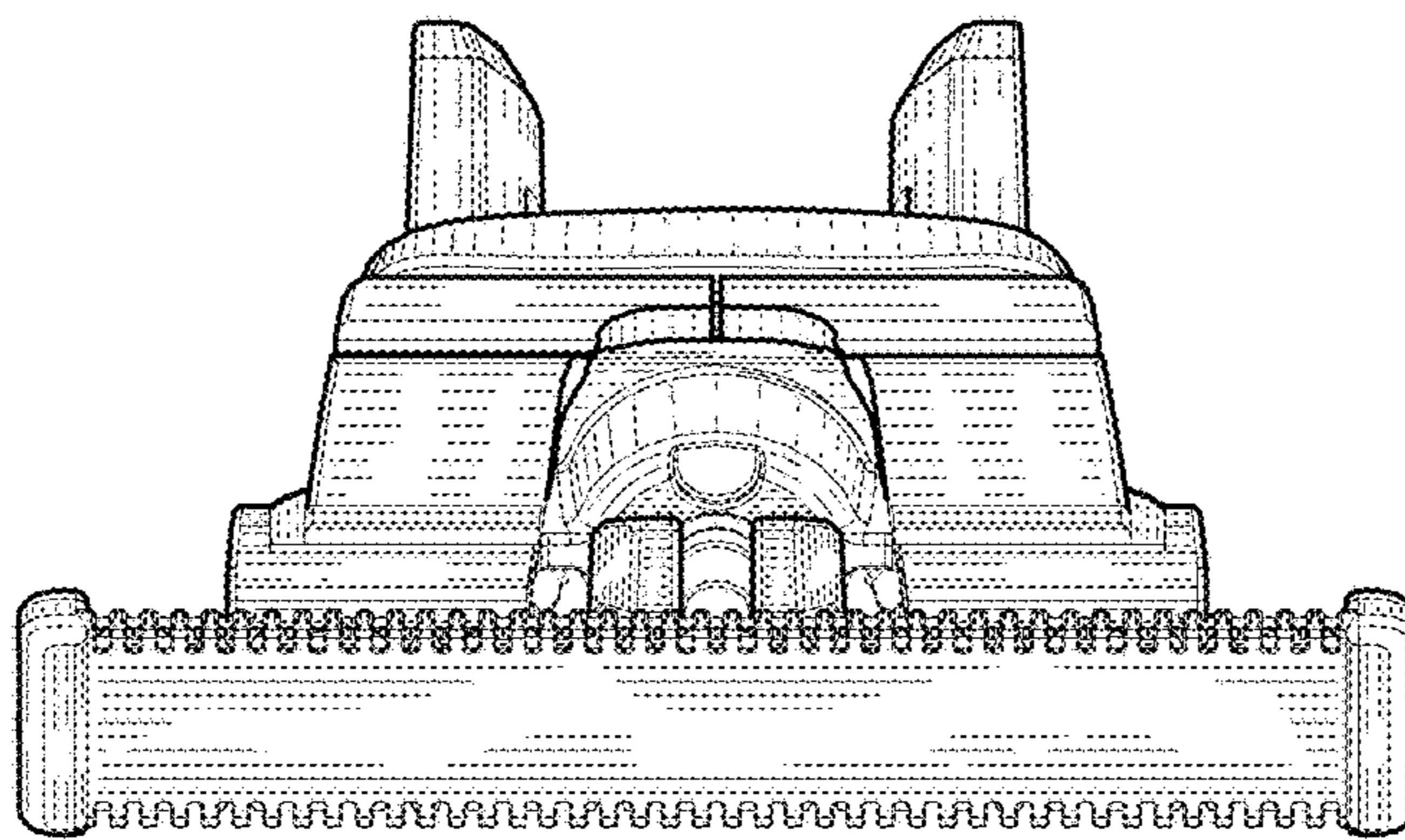


FIG. 6

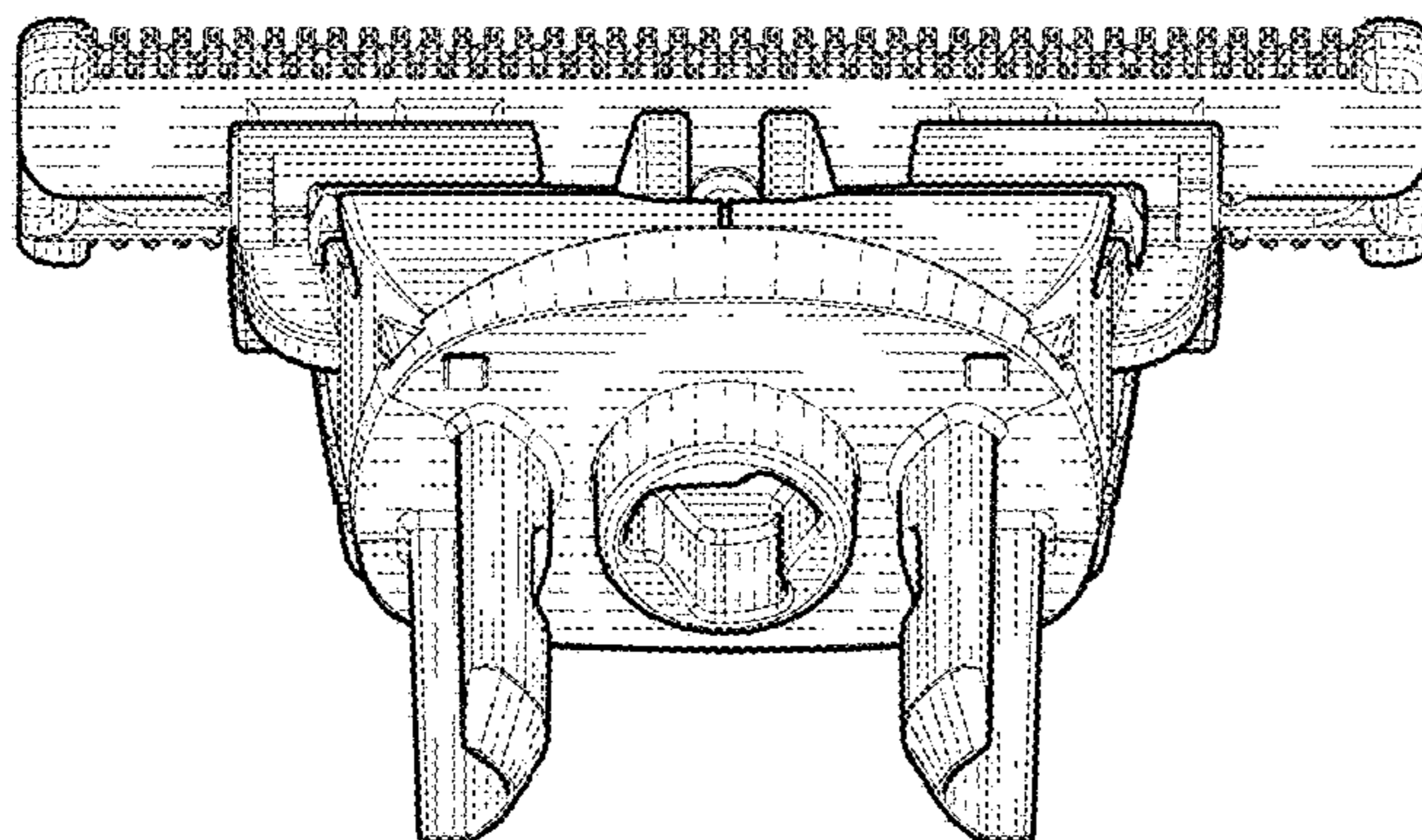


FIG. 7

UNITED STATES PATENT AND TRADEMARK OFFICE
CERTIFICATE OF CORRECTION

PATENT NO. : D776,878 S
APPLICATION NO. : 29/534956
DATED : January 17, 2017
INVENTOR(S) : Jens Peter Kophmann Andersson et al.

Page 1 of 1

It is certified that error appears in the above-identified patent and that said Letters Patent is hereby corrected as shown below:

On the Title Page

Item (72) Please add the following inventors: Albert Jan AITINK (Eindhoven (NL)) and Martinus Bernardus STAPELBROEK (Frieschepalen (NL)).

Signed and Sealed this
Ninth Day of March, 2021



Drew Hirshfeld
*Performing the Functions and Duties of the
Under Secretary of Commerce for Intellectual Property and
Director of the United States Patent and Trademark Office*