



US00D776876S

(12) **United States Design Patent**  
**Coviello**

(10) **Patent No.:** **US D776,876 S**

(45) **Date of Patent:** **\*\* Jan. 17, 2017**

(54) **SHAVING RAZOR HANDLE**

(71) Applicant: **Project Razor LLC**, Newark, DE (US)

(72) Inventor: **Christopher Coviello**, Yorklyn, DE (US)

(73) Assignee: **Project Razor LLC**, Newark, DE (US)

(\*\*) Term: **15 Years**

(21) Appl. No.: **29/548,739**

(22) Filed: **Dec. 16, 2015**

(51) **LOC (10) Cl.** ..... **28-03**

(52) **U.S. Cl.**  
USPC ..... **D28/48**

(58) **Field of Classification Search**  
USPC ..... D28/46-48

(Continued)

(56) **References Cited**

U.S. PATENT DOCUMENTS

955,314 A 4/1910 Borne  
3,245,445 A 4/1966 Herman

(Continued)

*Primary Examiner* — Jennifer Rivard

(74) *Attorney, Agent, or Firm* — Panitch Schwarze  
Belisario & Nadel LLP

(57) **CLAIM**

I claim the ornamental design for the shaving razor handle,  
as shown and described.

**DESCRIPTION**

FIG. 1 is a left front perspective view of a shaving razor handle having a blade cartridge attached;

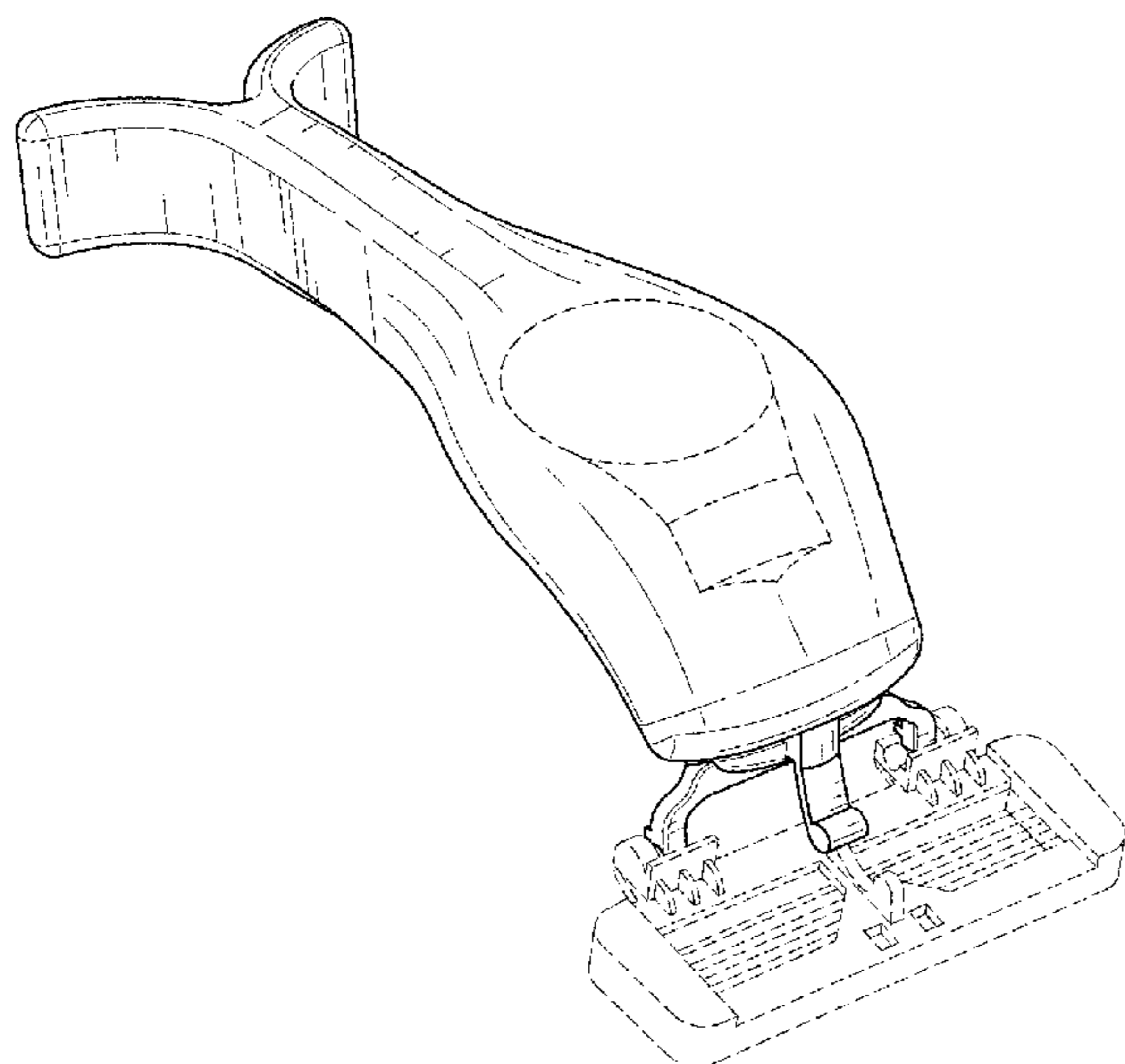


FIG. 2 is a left front perspective view of the shaving razor handle of FIG. 1 without the blade cartridge attached;

FIG. 3 is a right bottom perspective view of the shaving razor handle of FIG. 2;

FIG. 4 is a front elevational view of the shaving razor handle of FIG. 2;

FIG. 5 is a rear elevational view of the shaving razor handle of FIG. 2;

FIG. 6 is a top plan view of the shaving razor handle of FIG. 2;

FIG. 7 is a bottom plan view of the shaving razor handle of FIG. 2;

FIG. 8 is a left side elevational view of the shaving razor handle of FIG. 2;

FIG. 9 is a right side elevational view of the shaving razor handle of FIG. 2;

FIG. 10 is a left front perspective view of a second embodiment of a shaving razor handle having a blade cartridge attached;

FIG. 11 is a left front perspective view of the shaving razor handle of FIG. 10 without the blade cartridge attached;

FIG. 12 is a right bottom perspective view of the shaving razor handle of FIG. 11;

FIG. 13 is a front elevational view of the shaving razor handle of FIG. 11;

FIG. 14 is a rear elevational view of the shaving razor handle of FIG. 11;

FIG. 15 is a top plan view of the shaving razor handle of FIG. 11;

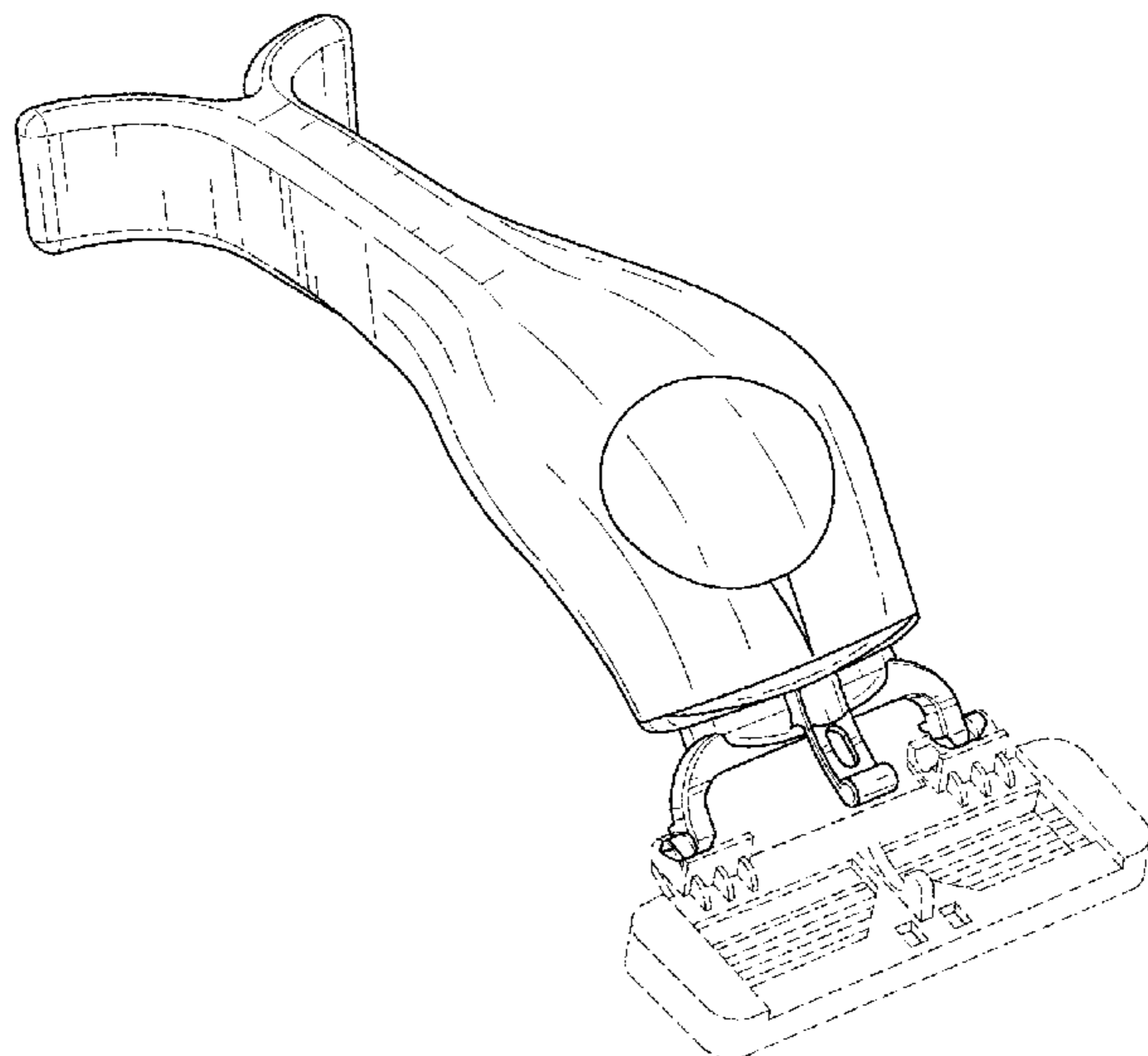
FIG. 16 is a bottom plan view of the shaving razor handle of FIG. 11;

FIG. 17 is a left side elevational view of the shaving razor handle of FIG. 11; and,

FIG. 18 is a right side elevational view of the shaving razor handle of FIG. 11.

The broken line blade cartridge illustrates the environment of the shaving razor handle. The remaining broken lines illustrate portions of the shaving razor handle and form no part of the claimed design.

**1 Claim, 8 Drawing Sheets**



(58) **Field of Classification Search**

CPC ..... B26B 21/52–21/528; B26B 21/14–21/38;  
B26B 21/00; B26B 21/08; B26B 21/40;  
B26B 21/4012–21/4031; B26B 21/4068

See application file for complete search history.

(56) **References Cited**

U.S. PATENT DOCUMENTS

4,461,078	A	7/1984	Carreker	
5,027,511	A	7/1991	Miller	
5,167,069	A	12/1992	Quinn	
6,018,877	A	2/2000	Greene	
6,189,222	B1	2/2001	Doyle	
7,093,363	B1	8/2006	Kuo	
7,103,980	B2	9/2006	Leventhal	
7,140,115	B2	11/2006	Greene	
7,200,942	B2	4/2007	Richard	
D603,096	S	10/2009	Greene	
D605,362	S	12/2009	Andersen	
D623,800	S	9/2010	Clemons	
7,856,725	B2	12/2010	Marut	
D678,610	S *	3/2013	Prat-Pfister	..... D28/48
8,782,911	B1	7/2014	Greene	
9,308,658	B2 *	4/2016	Coviello	..... B26B 21/4081
2002/0050065	A1	5/2002	Kludjian et al.	
2003/0177648	A1	9/2003	Zeiter	
2004/0107585	A1	6/2004	Helmrich	
2004/0139615	A1	7/2004	Gianatasio	
2011/0308089	A1	12/2011	Bridges	
2012/0145730	A1	6/2012	Bloom	
2012/0291295	A1	11/2012	Braun	

\* cited by examiner

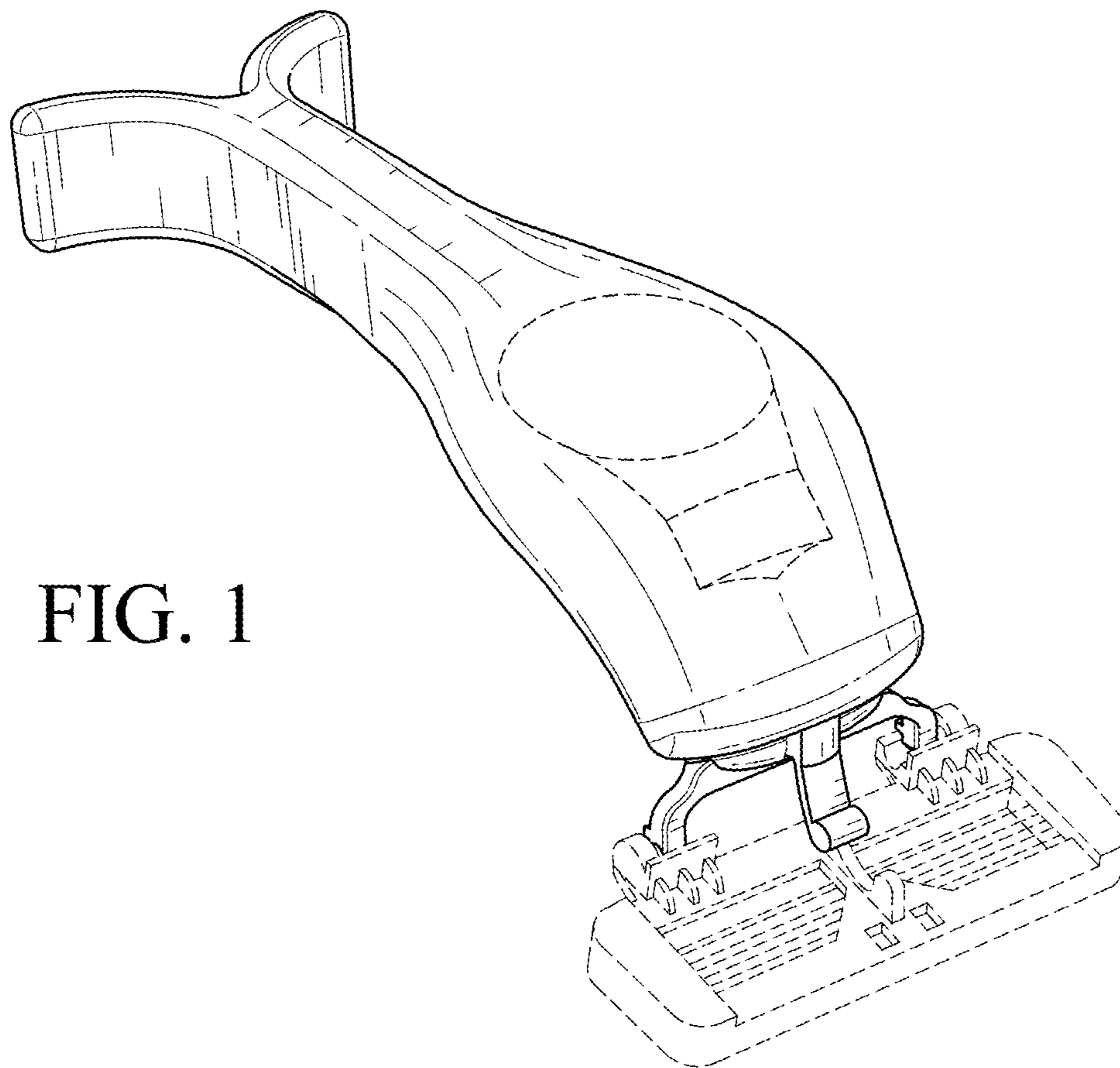


FIG. 1

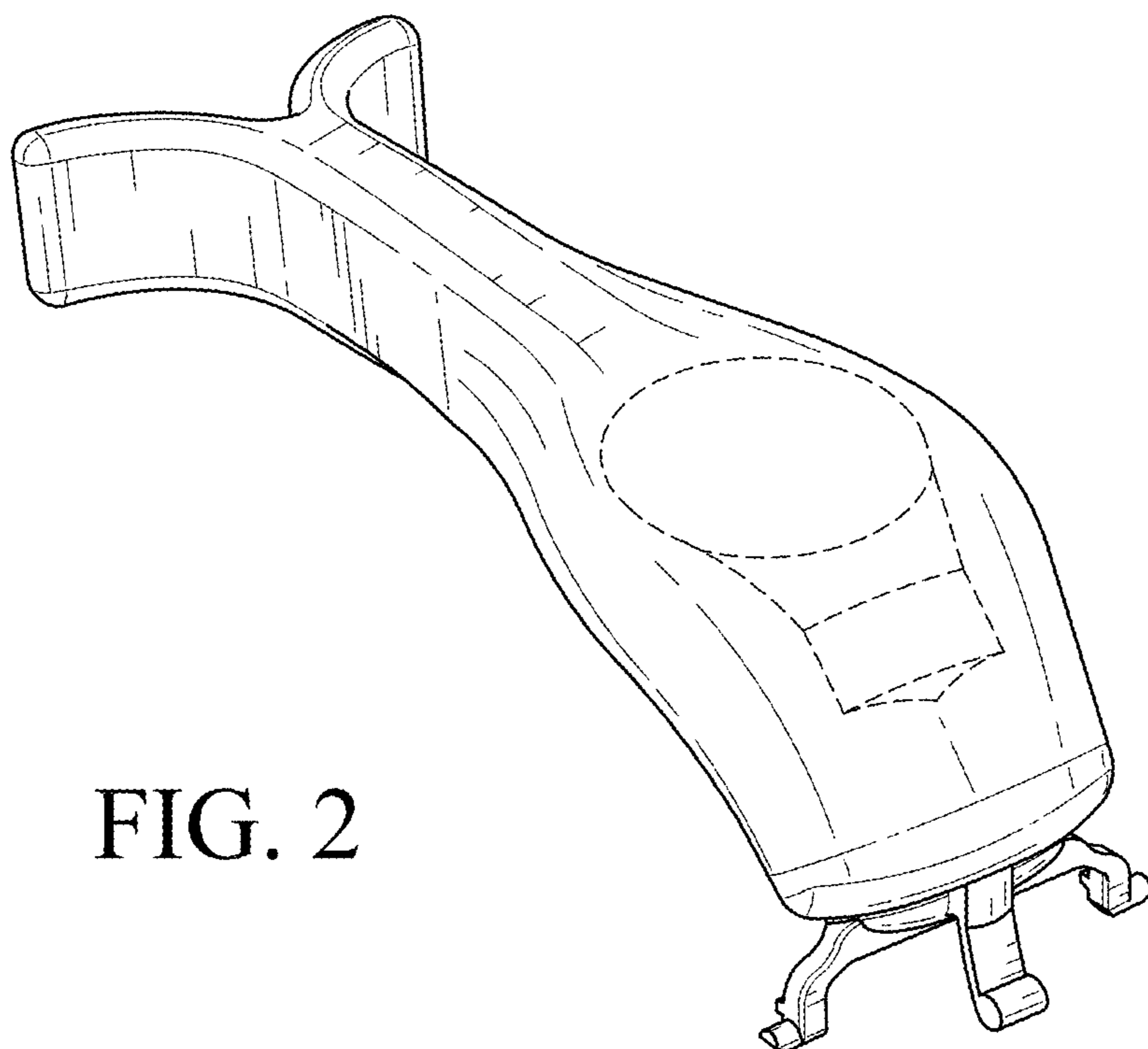


FIG. 2

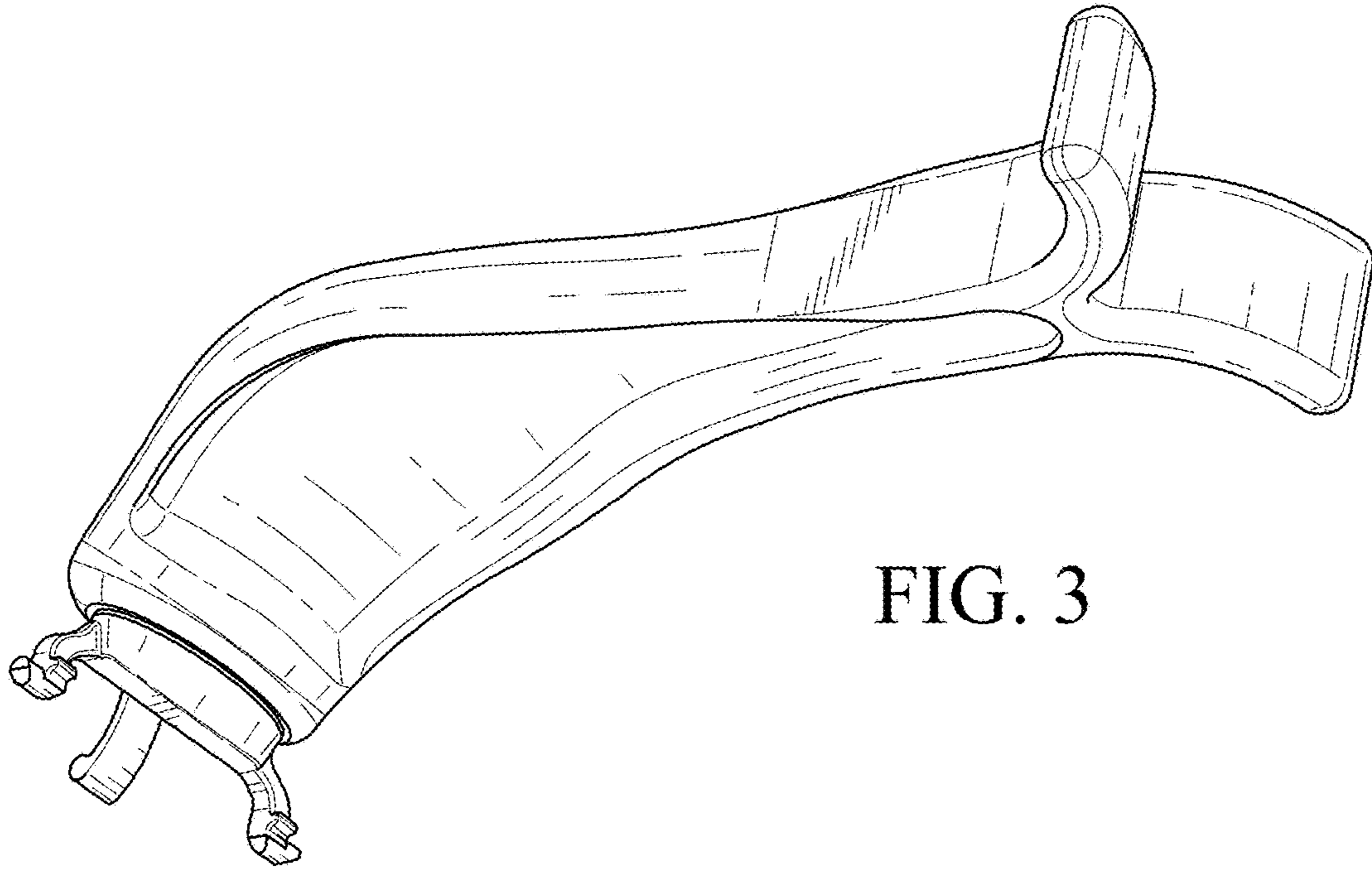


FIG. 3

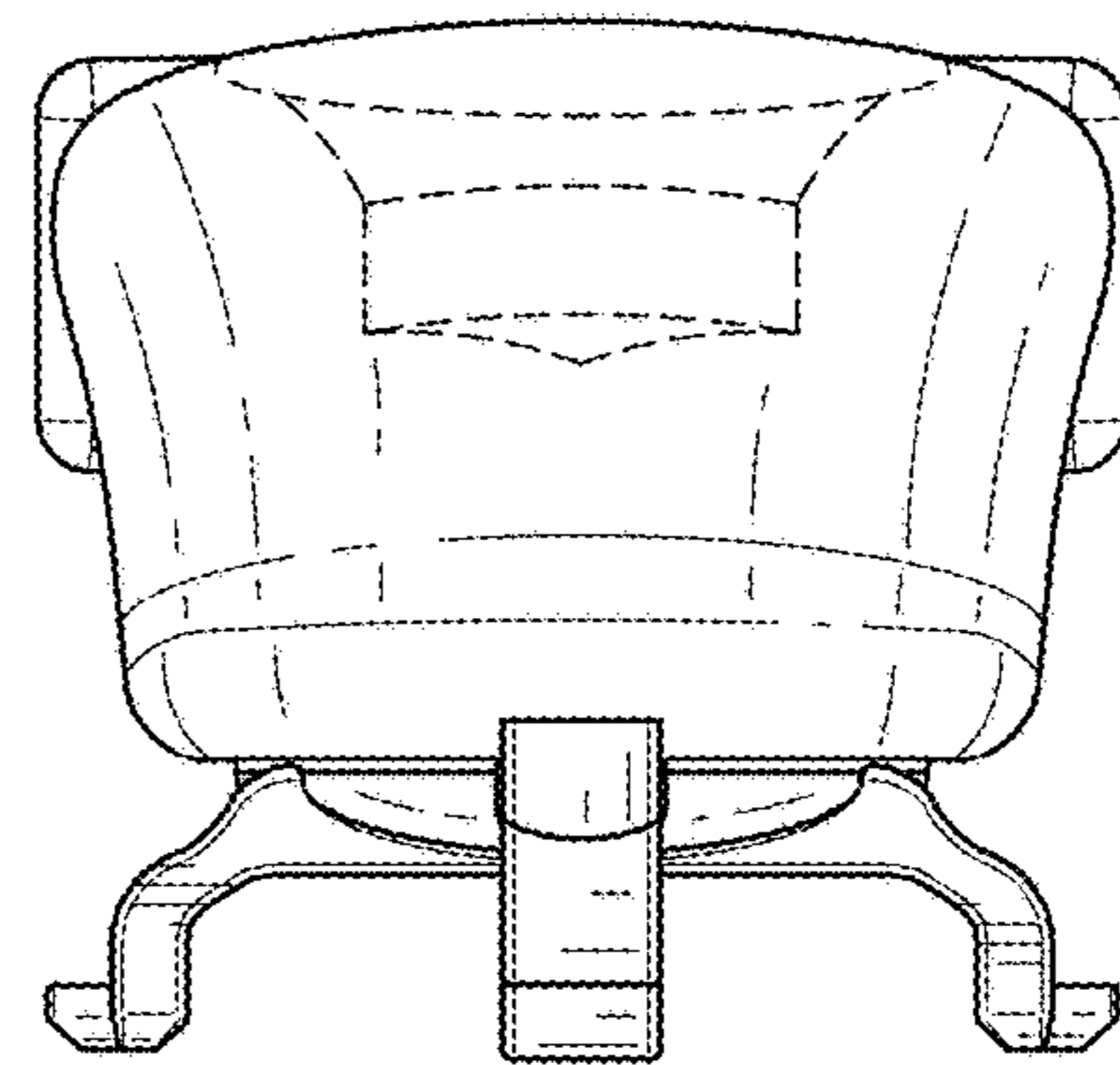


FIG. 4

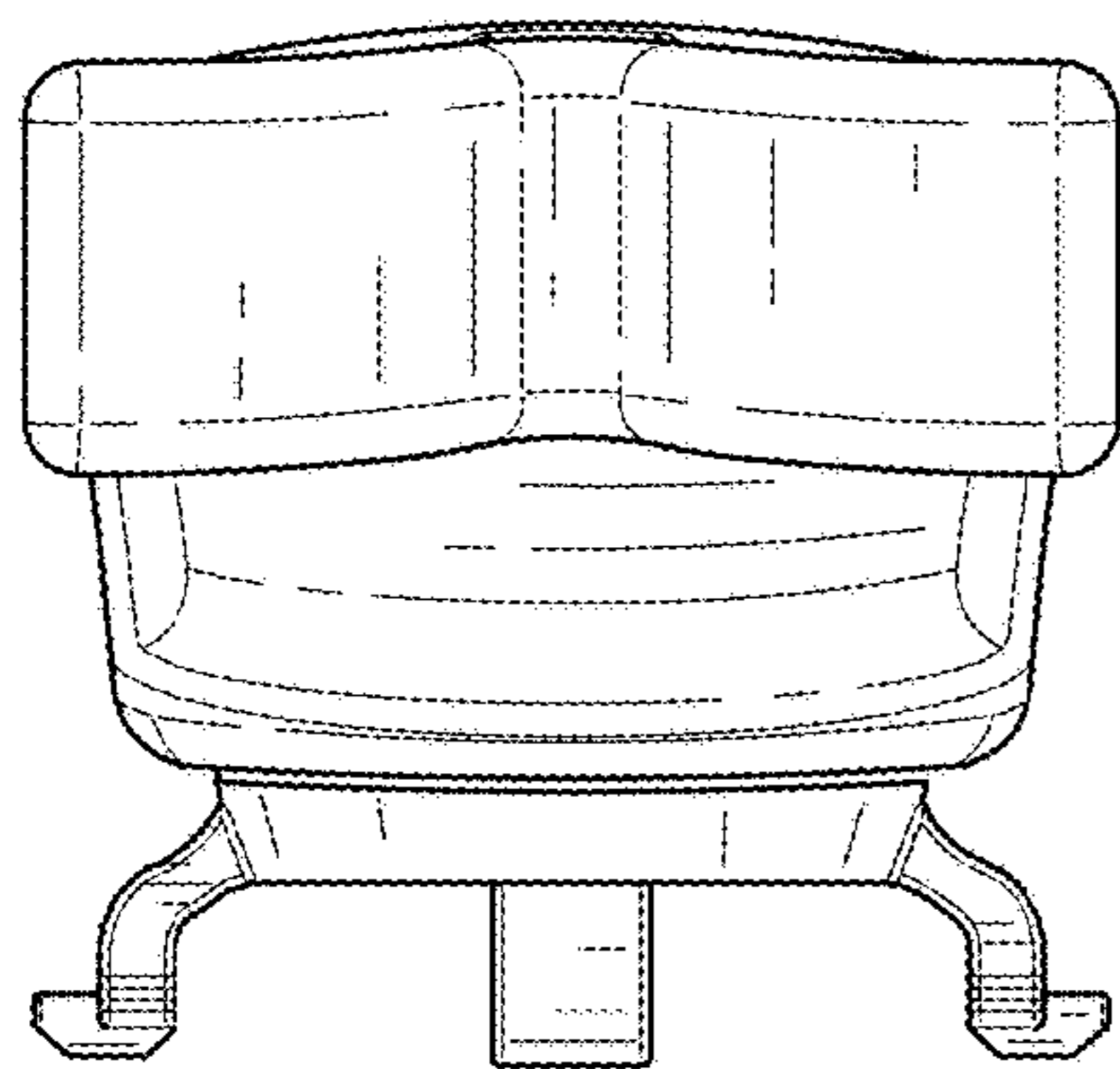


FIG. 5

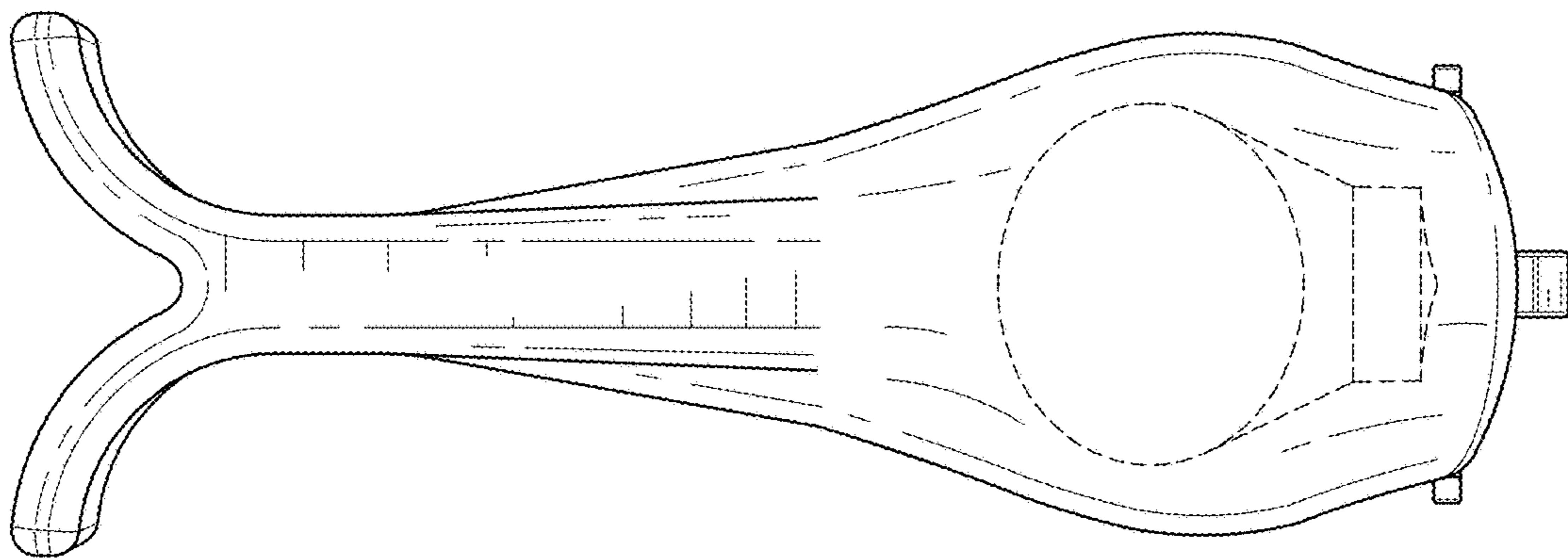


FIG. 6

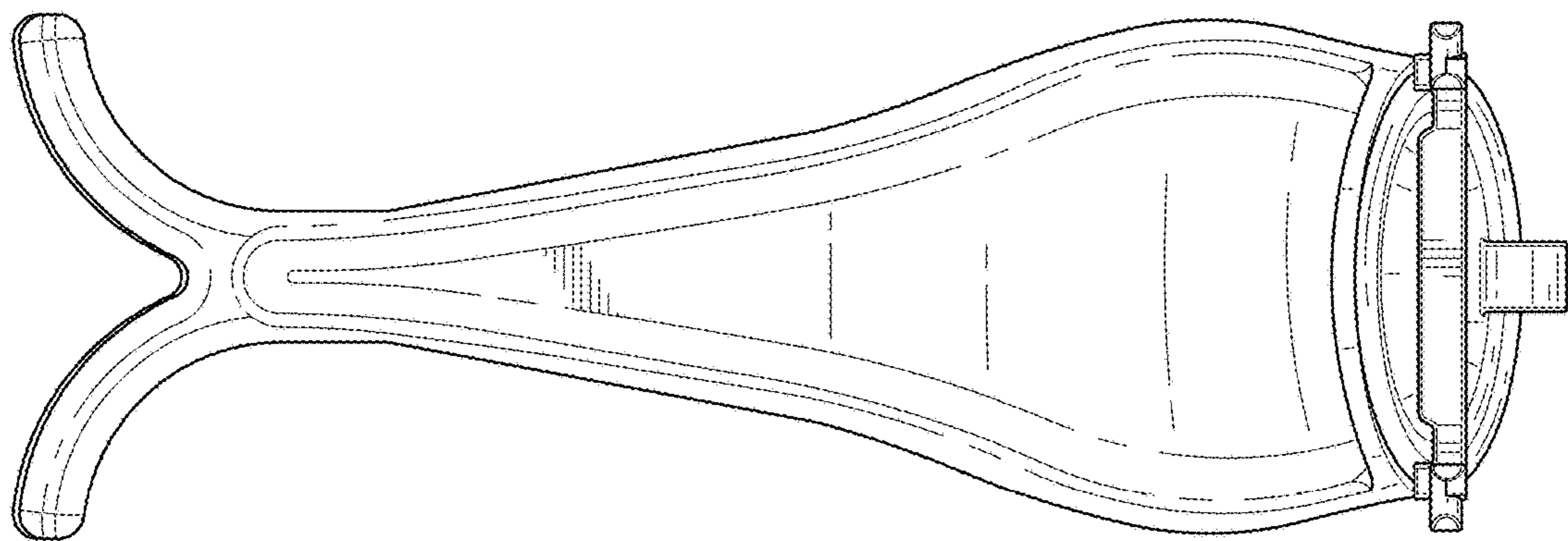


FIG. 7

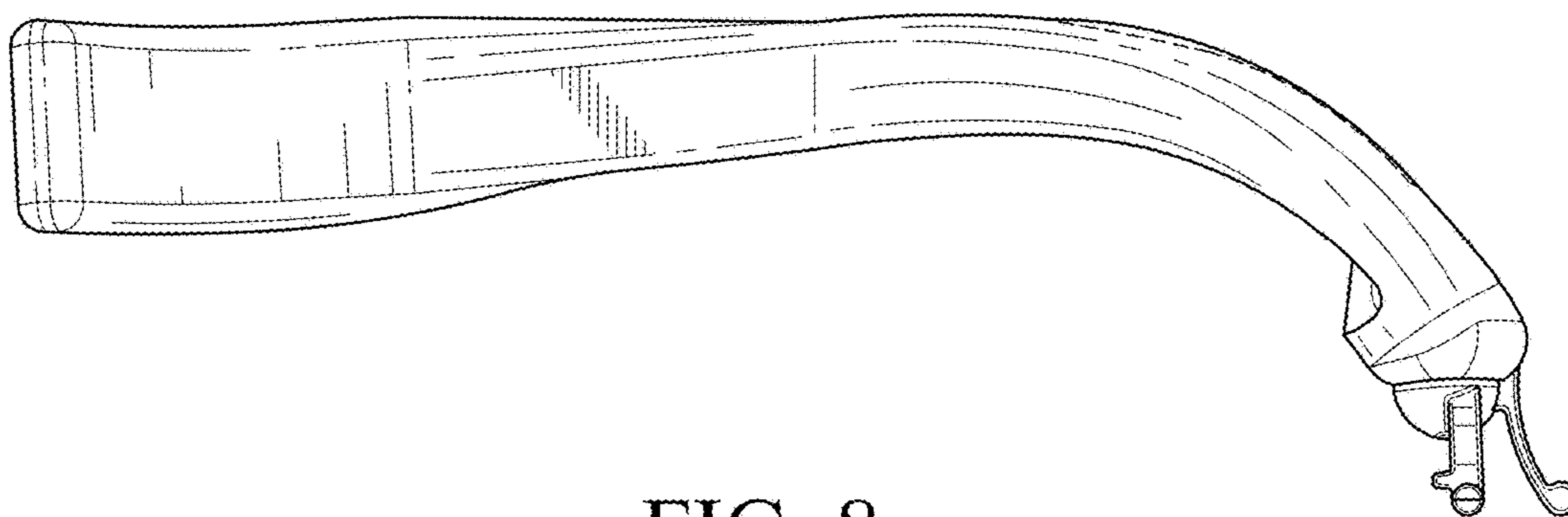


FIG. 8

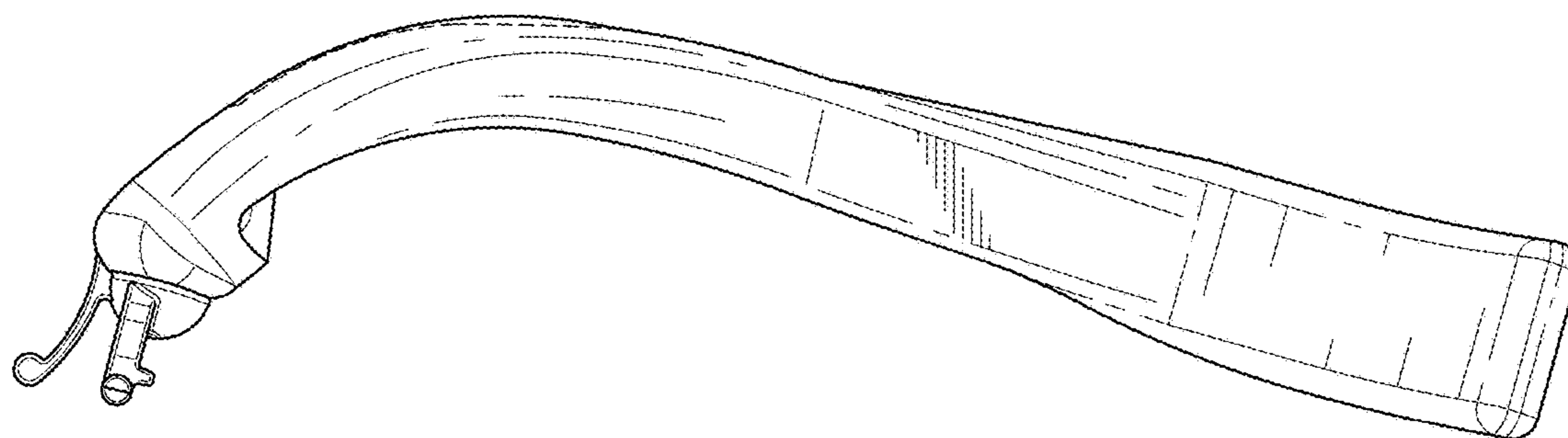


FIG. 9

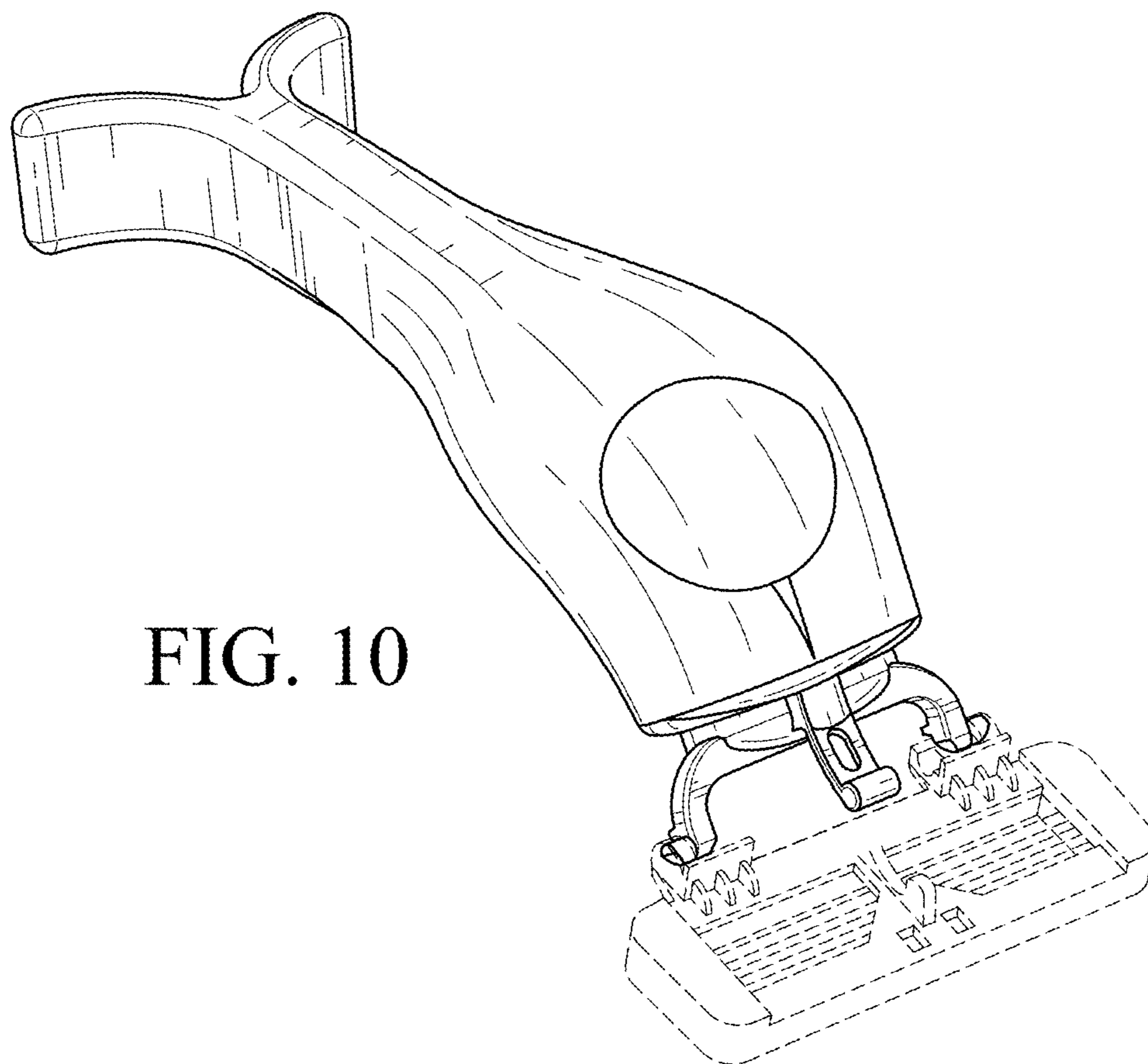


FIG. 10

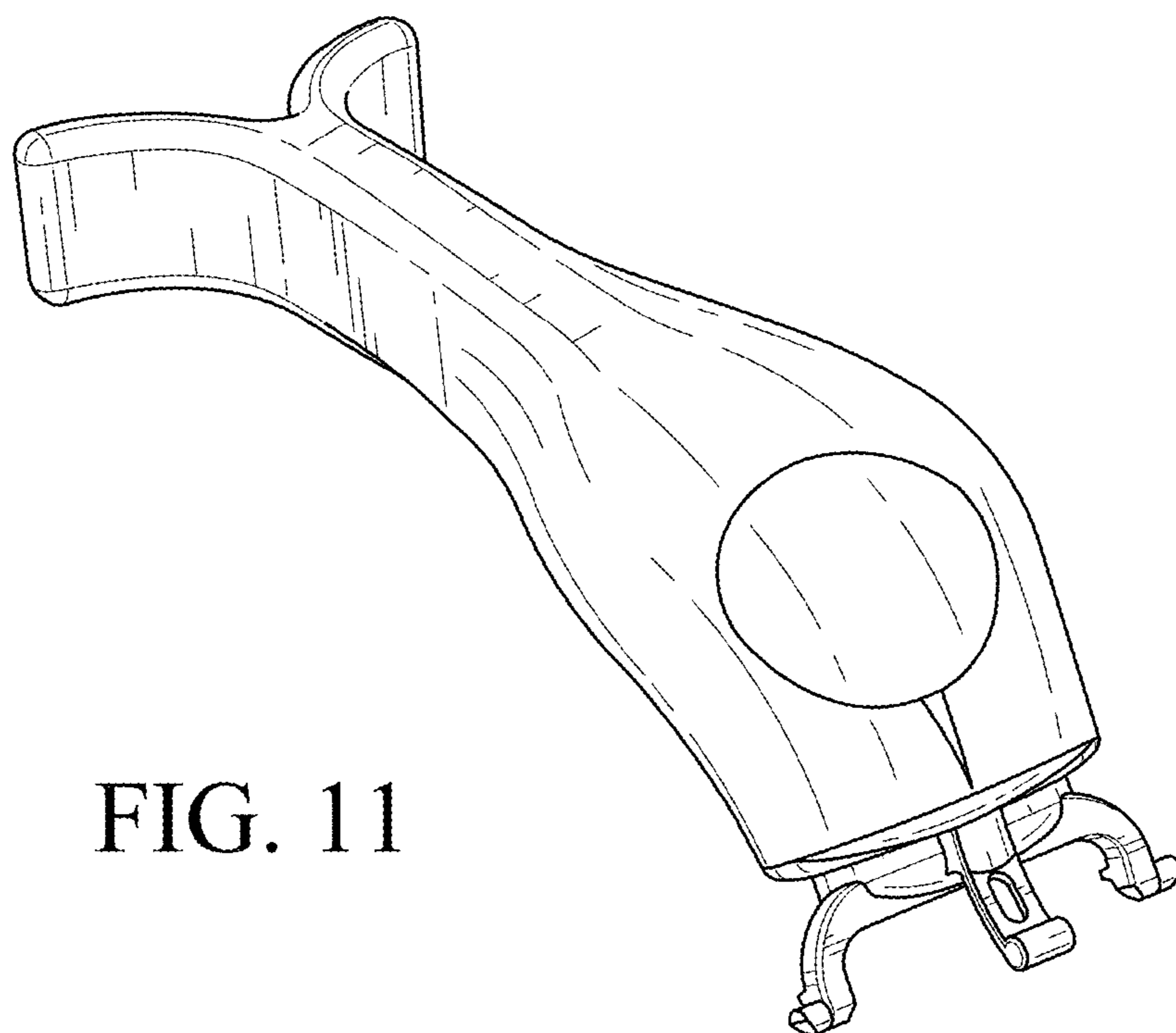


FIG. 11

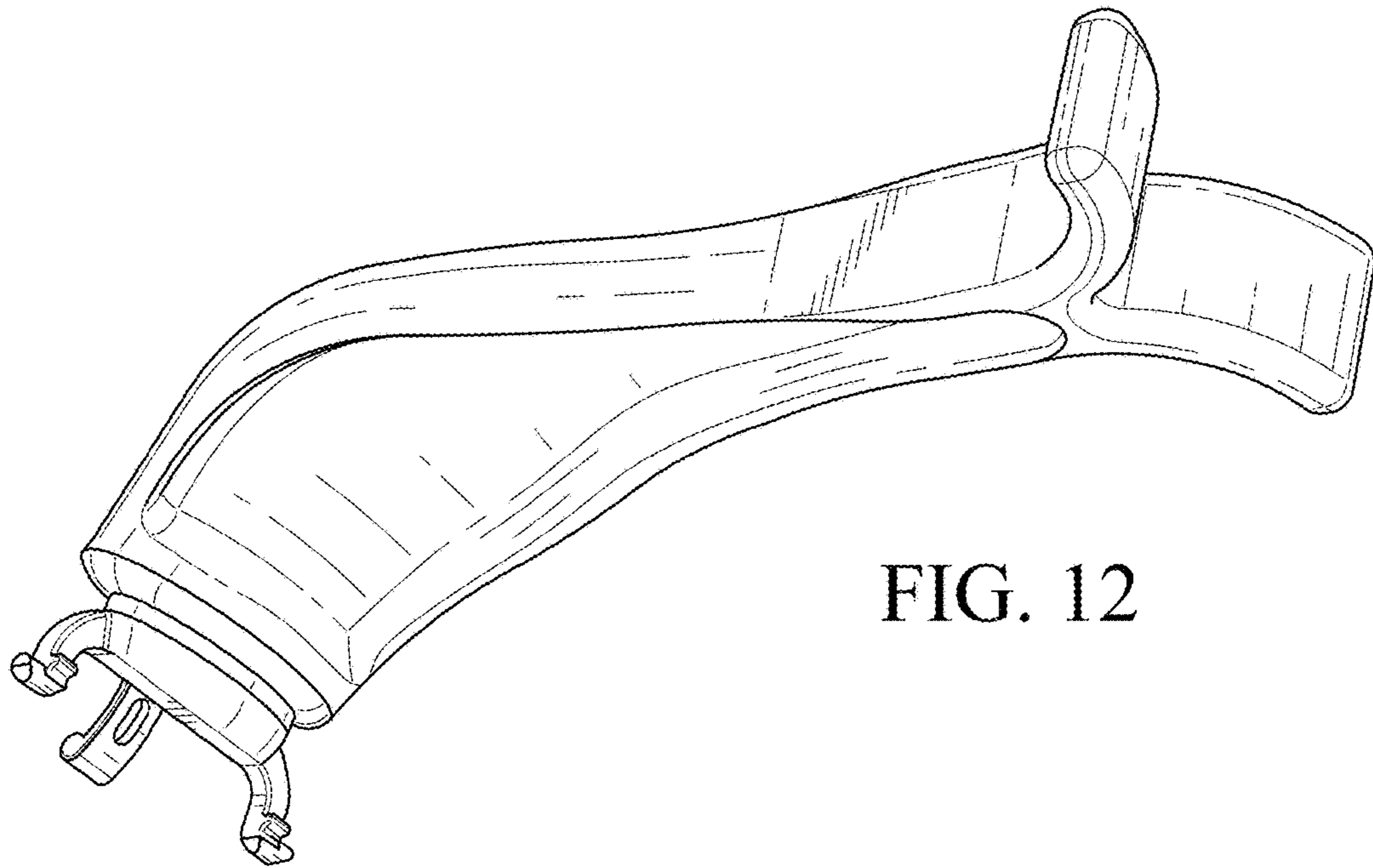


FIG. 12

FIG. 13

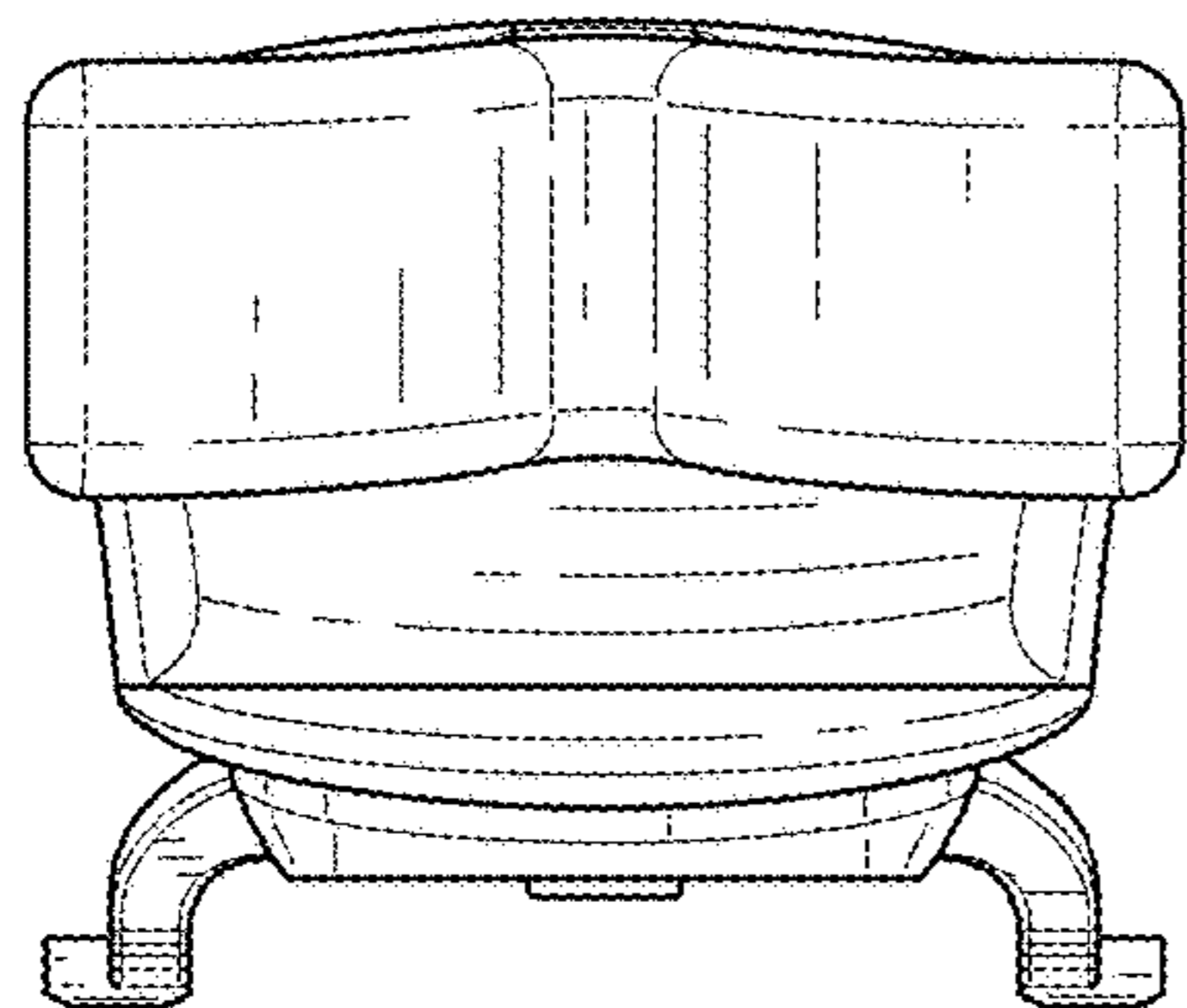
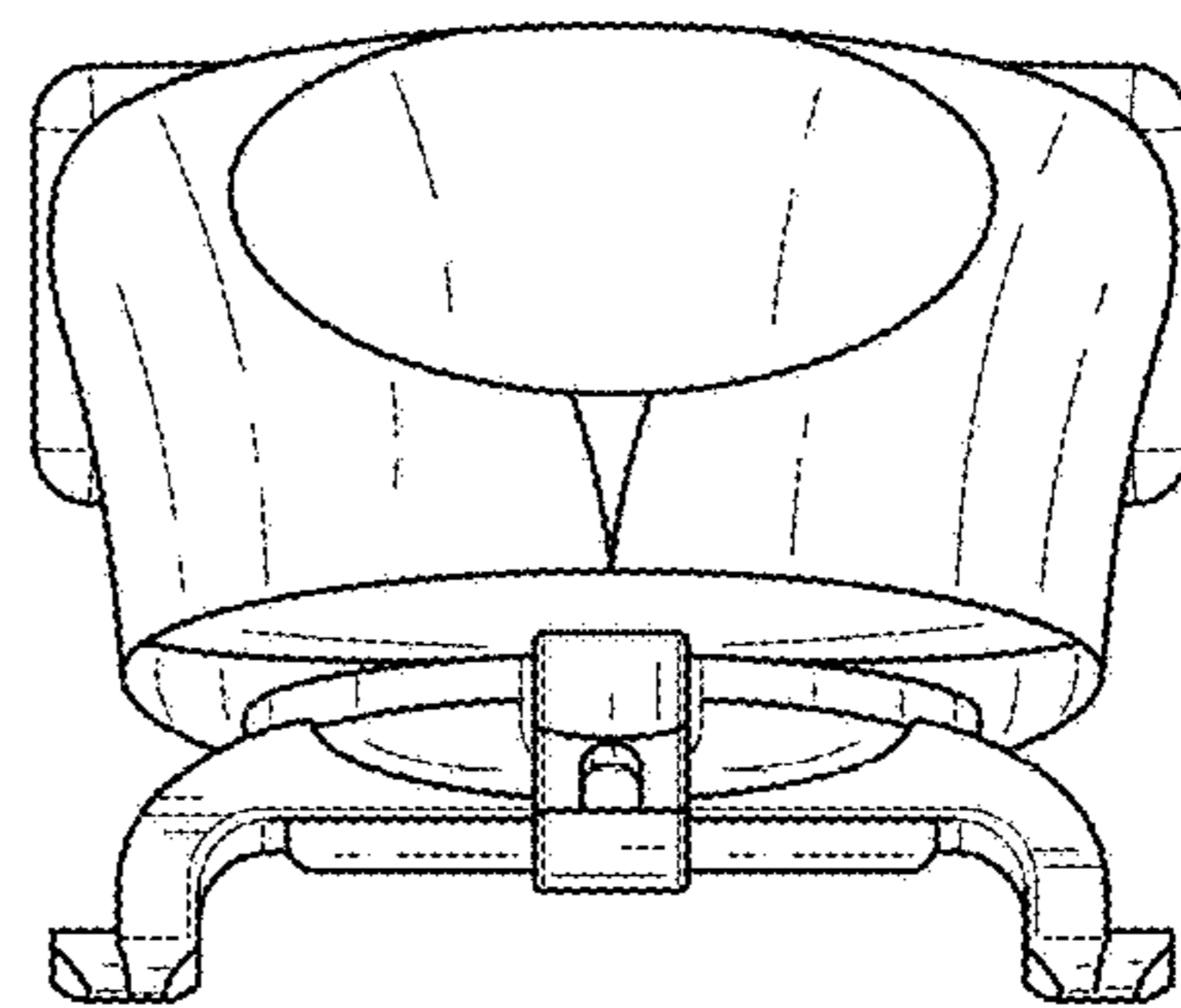


FIG. 14



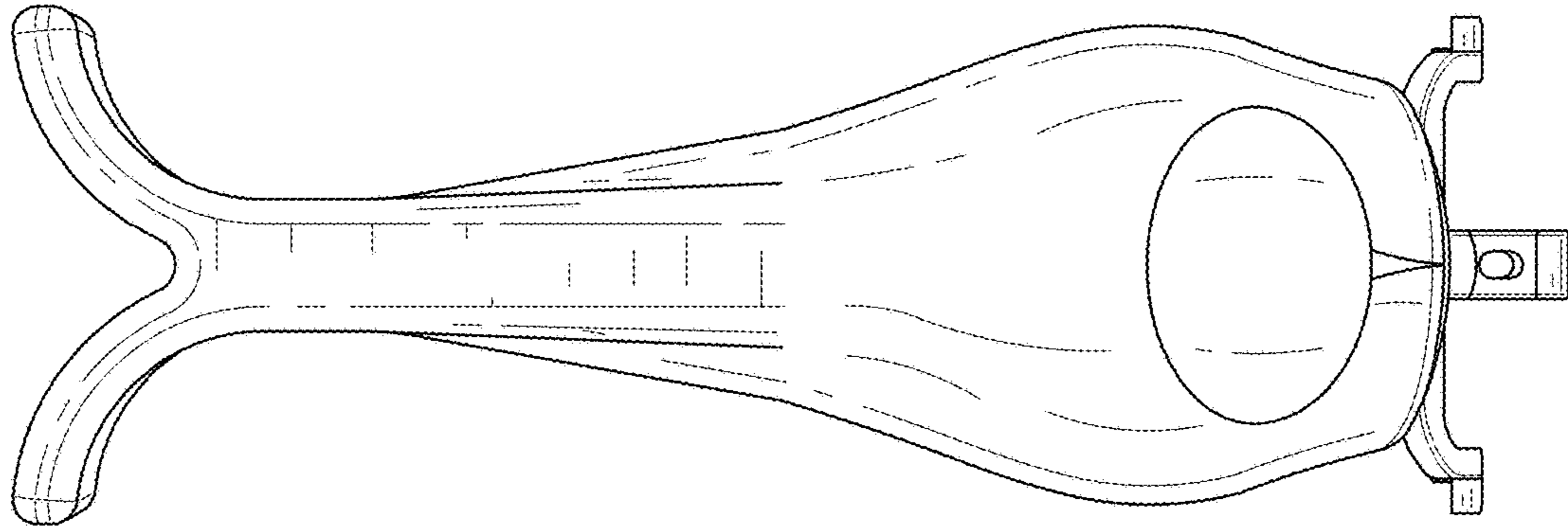


FIG. 15

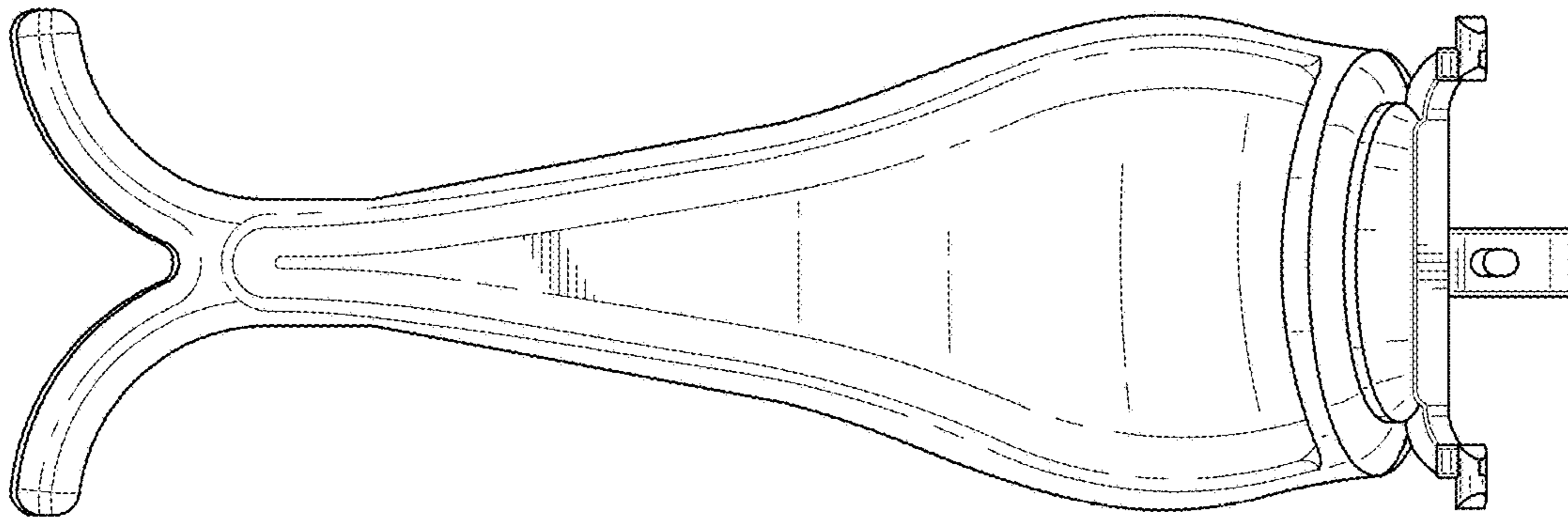


FIG. 16

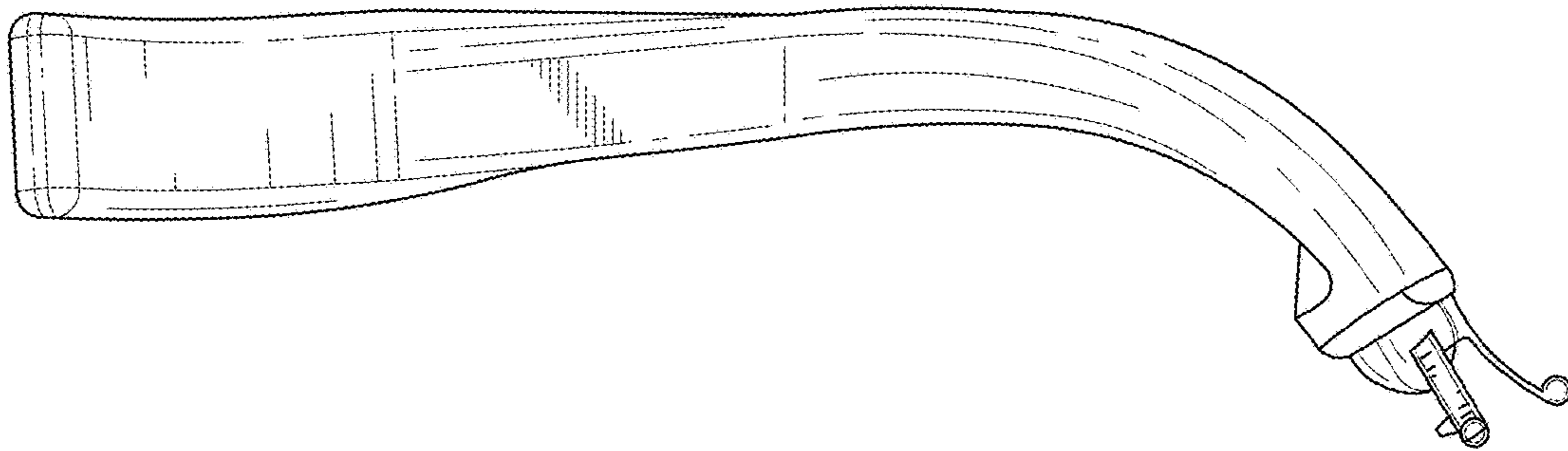


FIG. 17

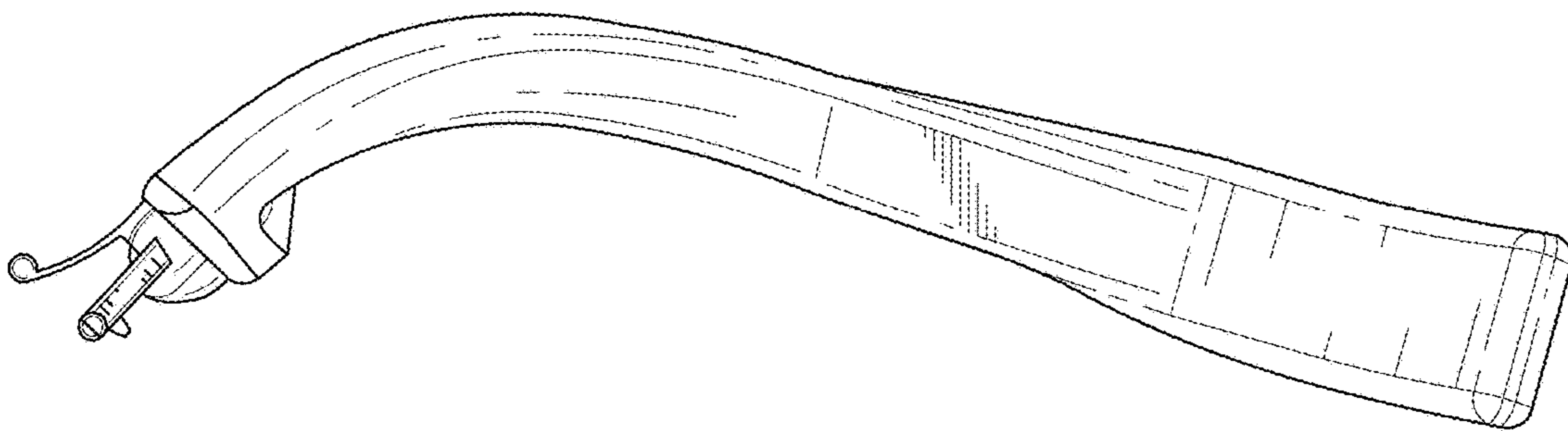


FIG. 18