



US00D776875S

(12) **United States Design Patent**  
**Ren et al.**

(10) **Patent No.: US D776,875 S**  
(45) **Date of Patent: \*\* Jan. 17, 2017**

- (54) **RAZOR HEAD**
- (71) Applicant: **Xiangrong Ren**, Wenzhou (CN)
- (72) Inventors: **Chi Ren**, Wenzhou (CN); **Xiangrong Ren**, Wenzhou (CN)
- (73) Assignee: **Xiangrong Ren**, Wenzhou, Zhejiang (CN)
- (\*\*) Term: **15 Years**
- (21) Appl. No.: **29/550,571**
- (22) Filed: **Jan. 5, 2016**

D661,427 S *	6/2012	Christie	.....	D28/47
8,689,448 B2 *	4/2014	Ren	.....	B26B 21/227 30/34.1
D741,014 S *	10/2015	Hurtado	.....	D28/47
D764,100 S *	8/2016	Park	.....	D28/47
2010/0005664 A1 *	1/2010	Aviza	.....	B26B 21/4068 30/50
2013/0333219 A1 *	12/2013	Oxford	.....	B26B 21/34 30/41.6
2014/0000114 A1 *	1/2014	Wester	.....	B26B 21/4012 30/32
2014/0096397 A1 *	4/2014	Ben-Ari	.....	B26B 19/18 30/43.6
2014/0190014 A1 *	7/2014	Hahn	.....	B26B 21/40 30/35
2015/0090085 A1 *	4/2015	Griffin	.....	B26B 21/4018 83/13

(Continued)

(30) **Foreign Application Priority Data**

- Aug. 19, 2015 (CN) ..... 2015 3 0312211
- (51) **LOC (10) Cl.** ..... **28-03**
- (52) **U.S. Cl.**  
USPC ..... **D28/47**
- (58) **Field of Classification Search**  
USPC ..... D28/46-48  
CPC ..... B26B 21/52-21/528; B26B 21/14-21/38;  
B26B 21/40; B26B 21/4006; B26B  
21/4012-21/4031; B26B 21/4068; B26B  
21/4072; B26B 21/222; B26B 21/34;  
B26B 21/443  
See application file for complete search history.

(56) **References Cited**

**U.S. PATENT DOCUMENTS**

4,976,028 A *	12/1990	Chen	.....	B26B 21/4012 30/49
5,313,705 A *	5/1994	Rivers	.....	B26B 21/4012 30/50
D604,904 S *	11/2009	Watson	.....	D28/47
D661,426 S *	6/2012	Wain	.....	D28/47

**FOREIGN PATENT DOCUMENTS**

- GR EP 2853362 A1 \* 4/2015 ..... B26B 21/222
- Primary Examiner* — Jennifer Rivard
- (74) *Attorney, Agent, or Firm* — Shimokaji IP

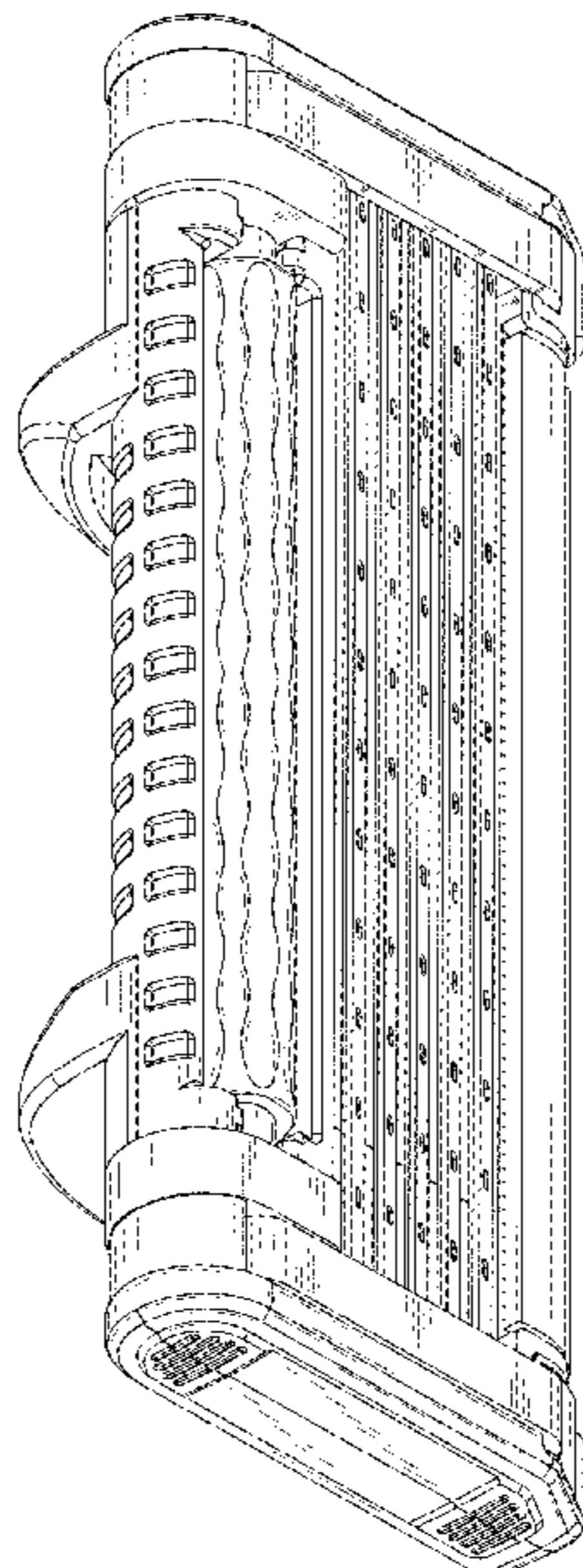
(57) **CLAIM**

The ornamental design for a razor head, as shown and described.

**DESCRIPTION**

FIG. 1 is a front elevational view of a razor head;  
 FIG. 2 is a rear elevational view thereof;  
 FIG. 3 is a left side elevational view thereof;  
 FIG. 4 is a right side elevational view thereof;  
 FIG. 5 is a top plan view thereof;  
 FIG. 6 is a bottom plan view thereof;  
 FIG. 7 is a perspective view thereof;  
 FIG. 8 is another perspective view thereof; and,  
 FIG. 9 is another perspective view thereof.

**1 Claim, 7 Drawing Sheets**



(56)

**References Cited**

U.S. PATENT DOCUMENTS

2016/0096279 A1\* 4/2016 Perlberg ..... B26B 19/18  
30/43.6  
2016/0158948 A1\* 6/2016 Eagleton ..... B26B 21/443  
30/34.2  
2016/0199992 A1\* 7/2016 Nicholas ..... B26B 21/4012  
30/538  
2016/0207210 A1\* 7/2016 Ren ..... B26B 21/4012

\* cited by examiner

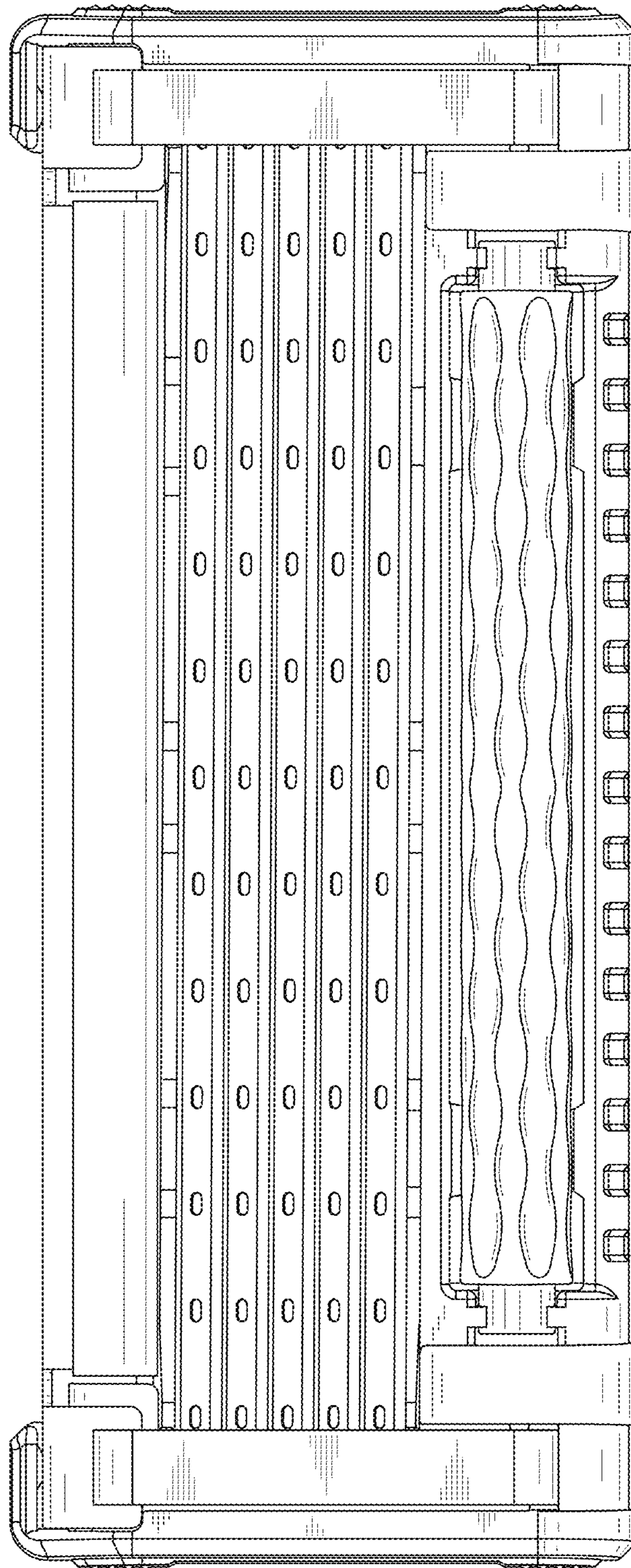


FIG.1

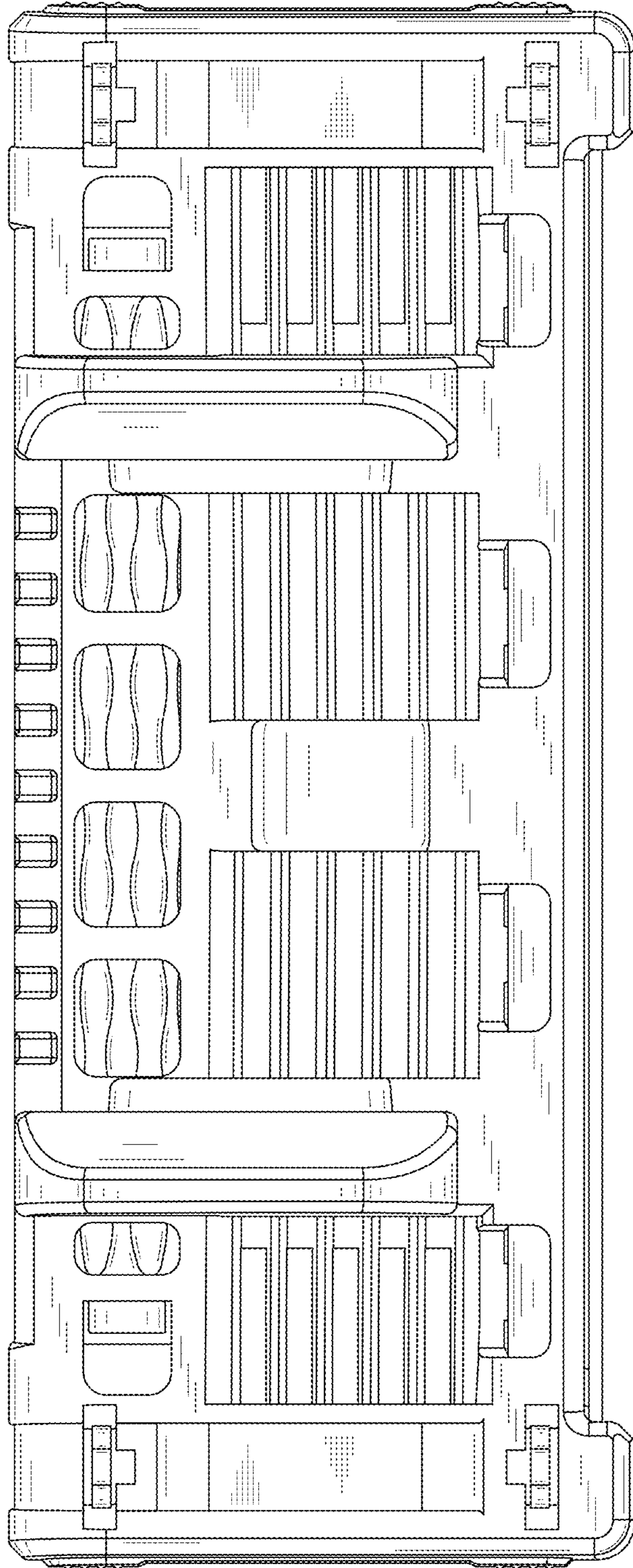


FIG.2

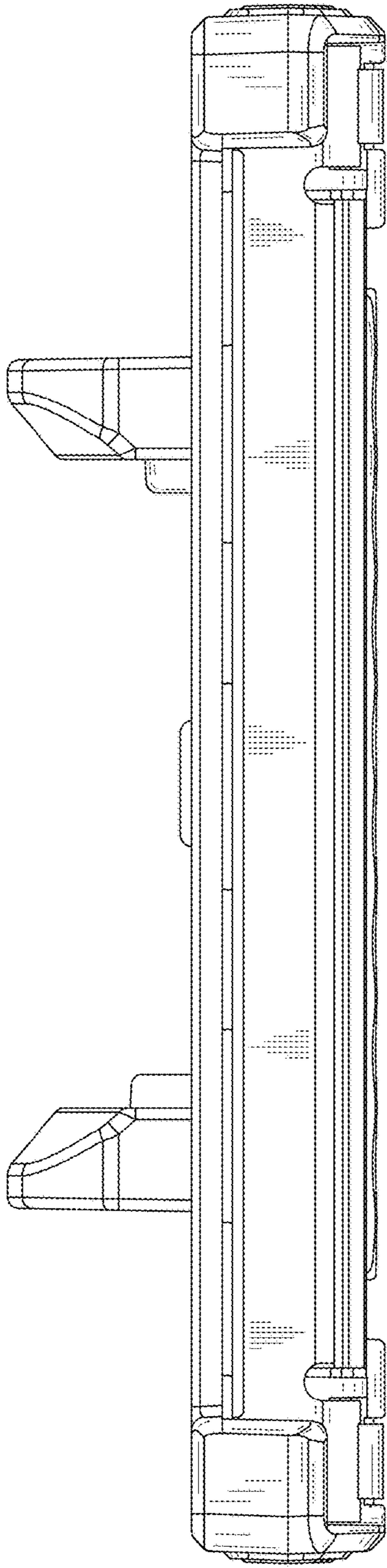


FIG.3

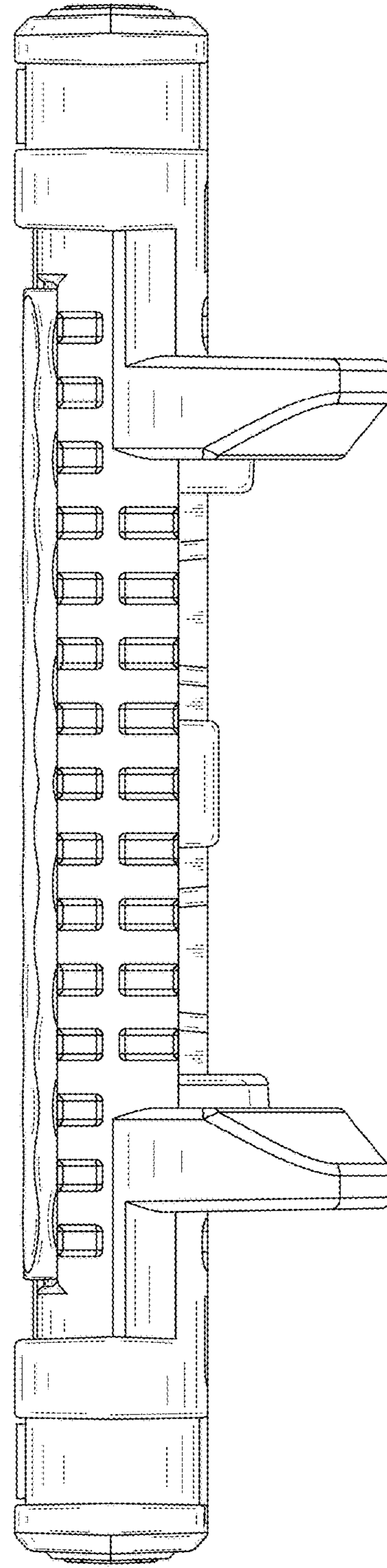


FIG.4

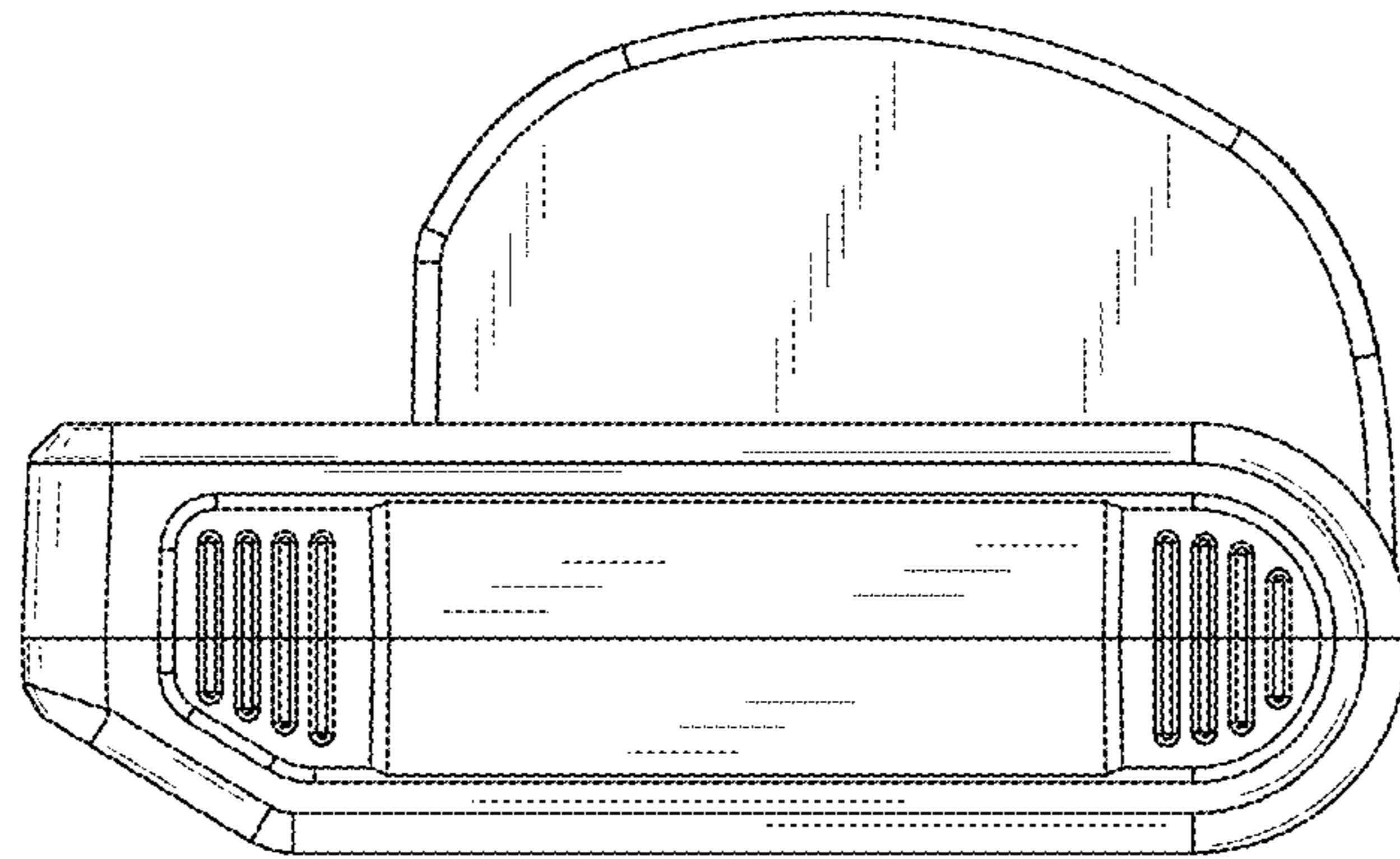


FIG. 5

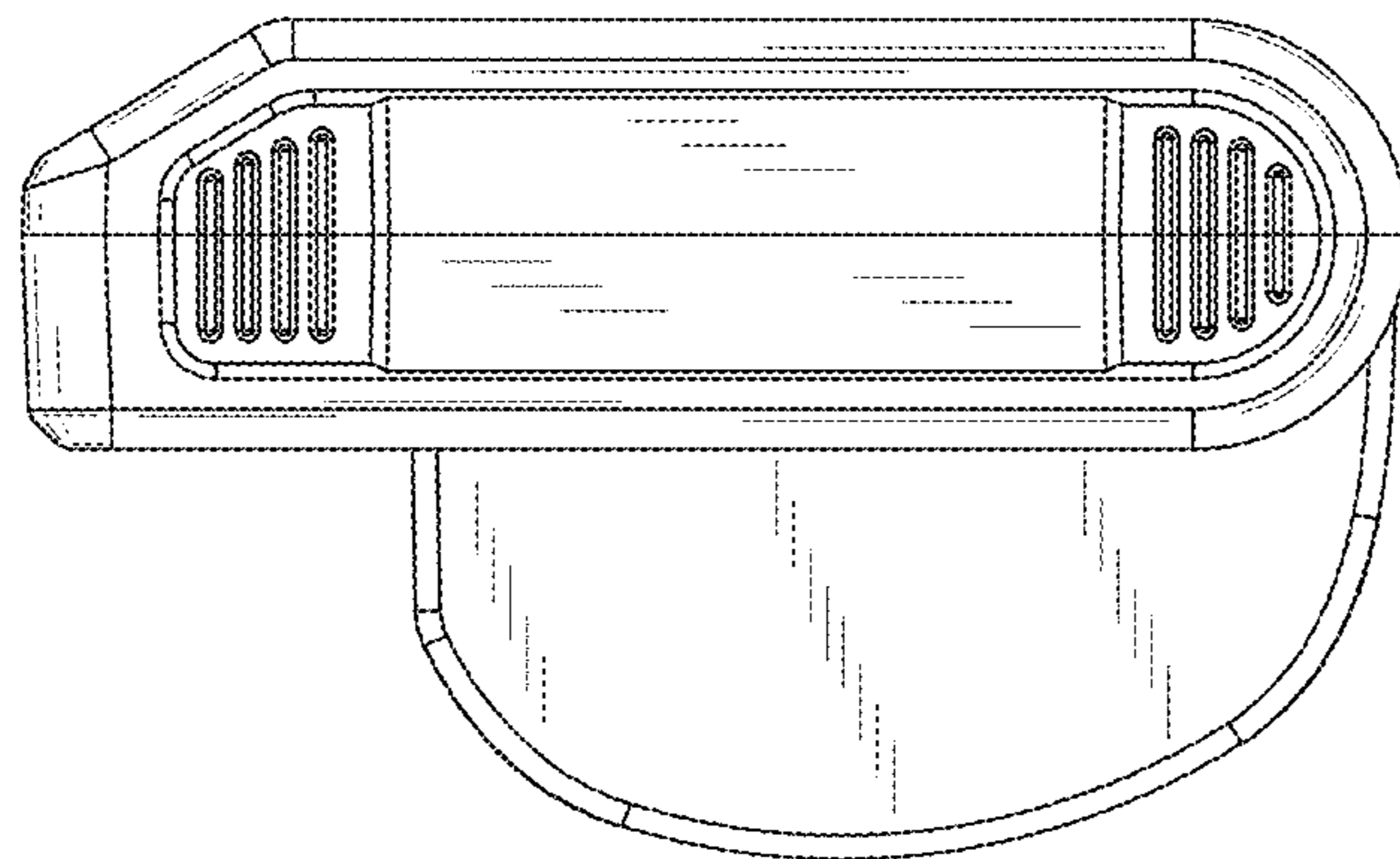


FIG. 6

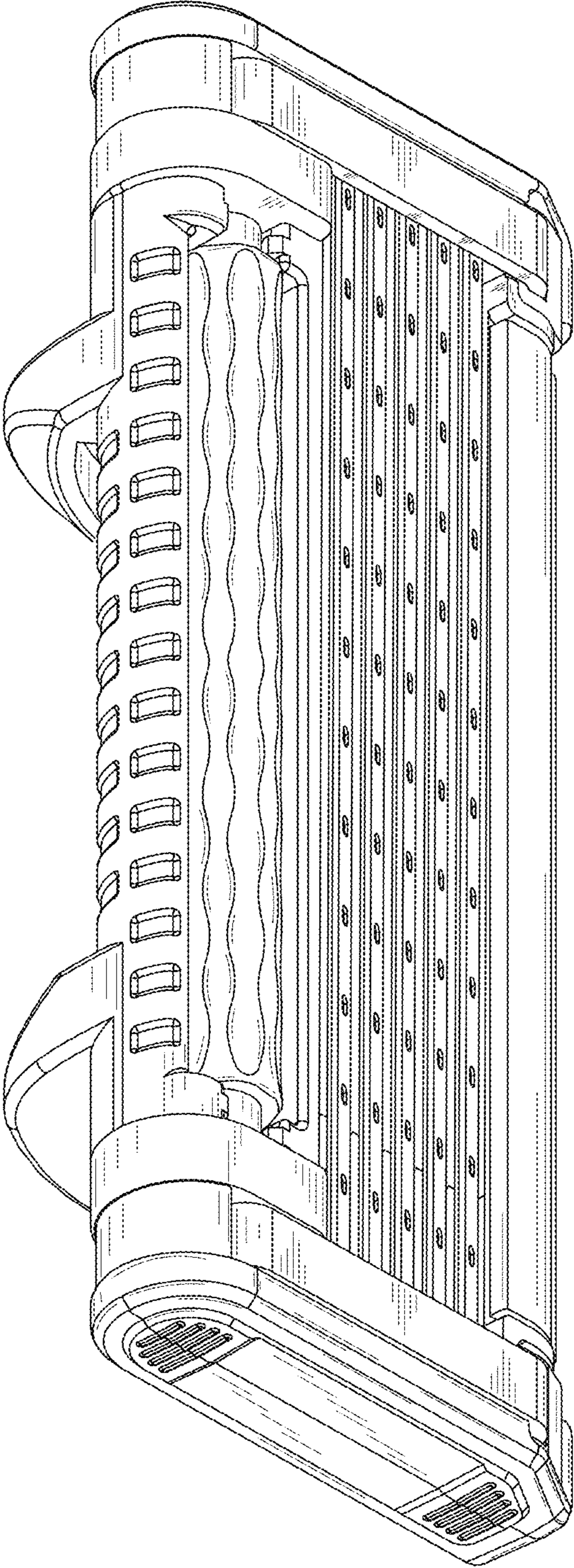


FIG. 7

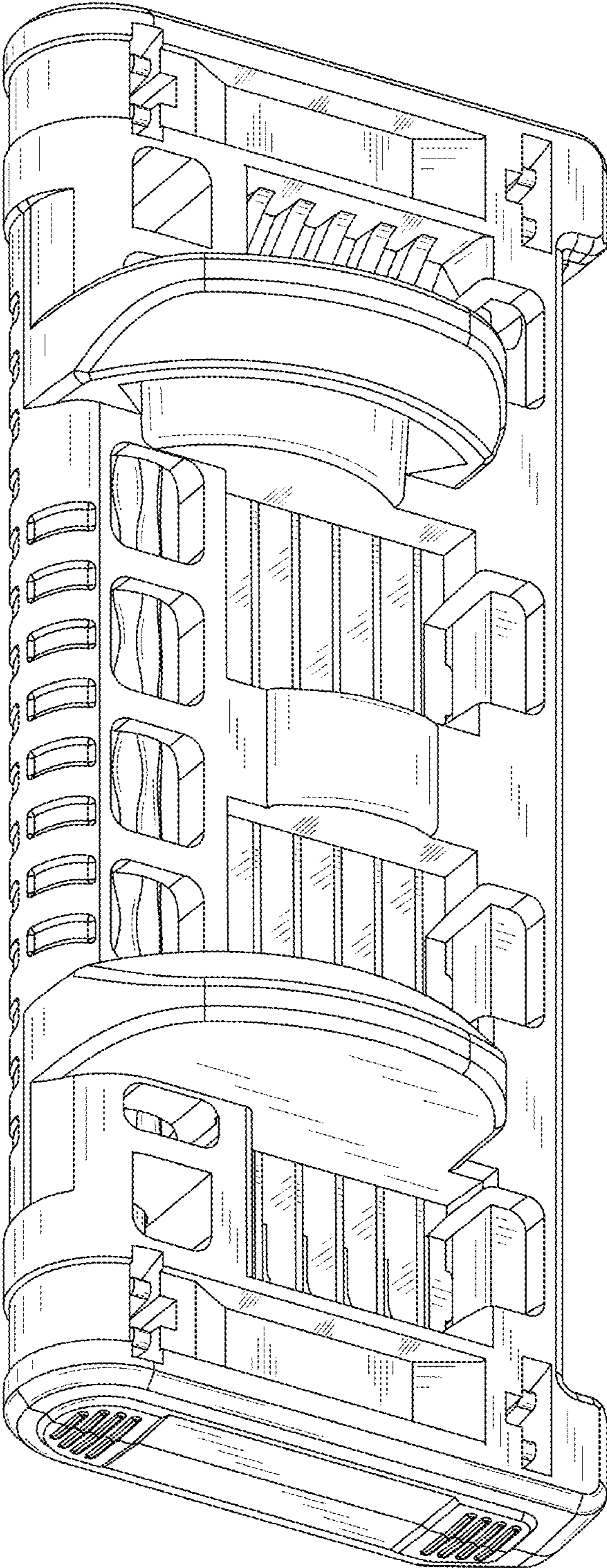


FIG.8



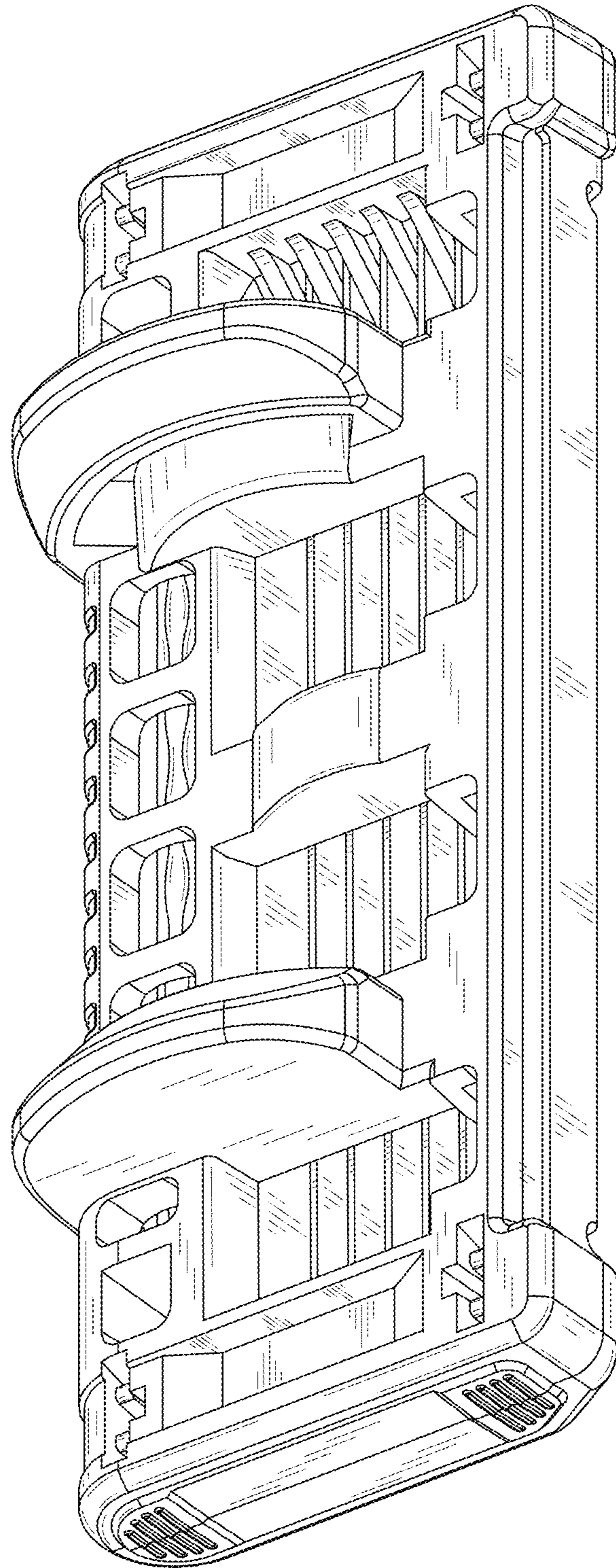


FIG.9