



US00D776874S

(12) **United States Design Patent** (10) **Patent No.:** **US D776,874 S**
Kling et al. (45) **Date of Patent:** **** Jan. 17, 2017**

(54) **HAIR REMOVING APPLIANCE**

(71) Applicant: **Braun GmbH**, Kronberg (DE)

(72) Inventors: **Björn Kling**, Glashutten (DE);
Christoph Ptok, Frankfurt (DE)

(73) Assignee: **Braun GmbH**, Kronberg

(**) Term: **15 Years**

(21) Appl. No.: **29/528,894**

(22) Filed: **Jun. 2, 2015**

(51) **LOC (10) Cl.** **28-03**

(52) **U.S. Cl.**
USPC **D28/44.1**; D24/133; D24/209

(58) **Field of Classification Search**
USPC D28/44, 44.1, 49-54; D24/133, 209
CPC A61B 2018/00476; A61B 2018/0047;
A61B 2018/202; A61B 2018/203; A45D
26/00; A45D 26/0004
See application file for complete search history.

(56) **References Cited**

U.S. PATENT DOCUMENTS

D535,746 S *	1/2007	Grove	D28/44.1
D571,040 S *	6/2008	Seki	D28/44.1
D589,650 S *	3/2009	Adriaenssen	D24/133
D621,949 S *	8/2010	Seki	D24/209
D664,295 S *	7/2012	Grabes	D28/44
D685,523 S *	7/2013	Buogo	D28/44.1
D696,778 S *	12/2013	Liao	D24/133
D705,484 S *	5/2014	Bourgeois	D28/44.1
D706,980 S *	6/2014	Tasar	D28/44.1
D707,839 S *	6/2014	Bradley	D24/209
2010/0063565 A1 *	3/2010	Beerwerth	A61B 18/203 607/88

2011/0270365 A1* 11/2011 Hamada A61B 18/203
607/90

2012/0232539 A1* 9/2012 Liu A61B 18/203
606/9

2015/0209108 A1* 7/2015 Kim A61B 18/203
606/9

* cited by examiner

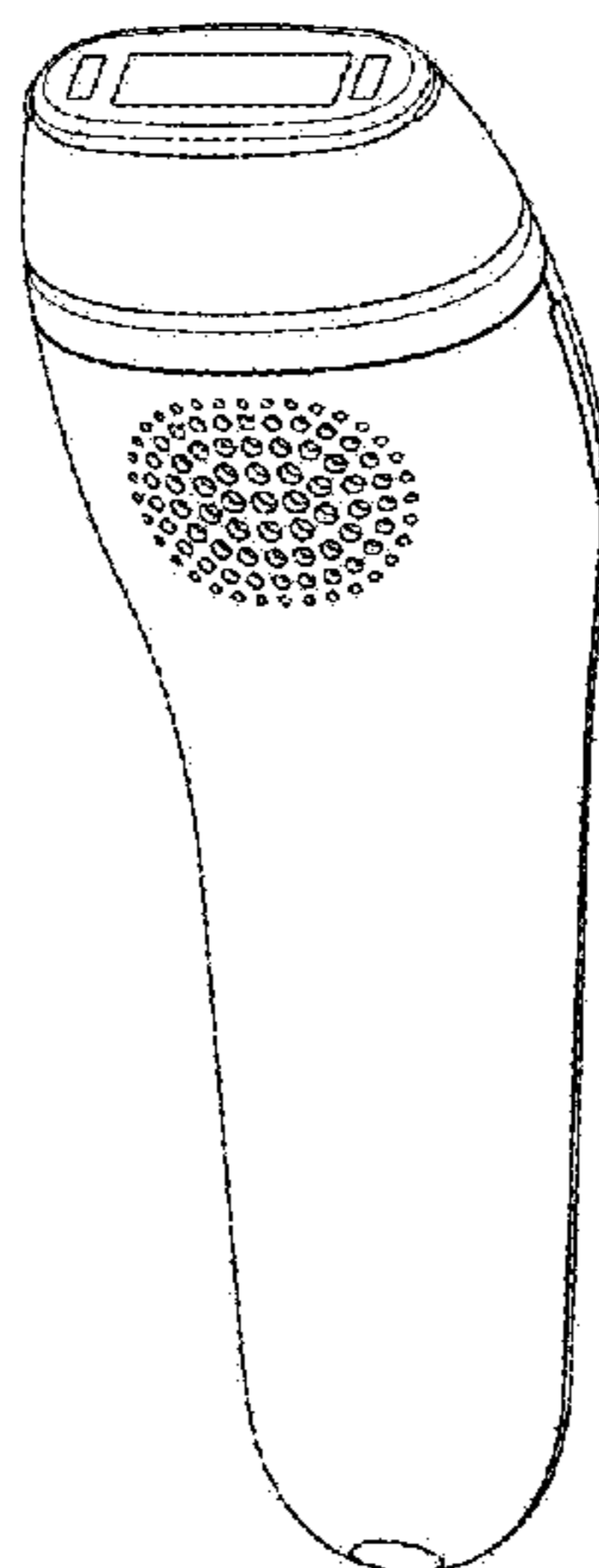
Primary Examiner — Jennifer Rivard
(74) *Attorney, Agent, or Firm* — Ronald T. Sia; Kevin C. Johnson; Steven W. Miller

(57) **CLAIM**
We claim the ornamental design for a hair removing appliance, as shown and described.

DESCRIPTION

FIG. 1 is a perspective view of a hair removing appliance;
FIG. 2 is a front view thereof;
FIG. 3 is a right side view thereof;
FIG. 4 is a rear view thereof;
FIG. 5 is a left side view thereof;
FIG. 6 is a top plan view thereof;
FIG. 7 is a bottom plan view thereof;
FIG. 8 is a perspective view of the second embodiment of a hair removing appliance;
FIG. 9 is a front view thereof;
FIG. 10 is a right side view thereof;
FIG. 11 is a rear view thereof;
FIG. 12 is a left side view thereof;
FIG. 13 is a top plan view thereof;
FIG. 14 is a bottom plan view thereof;
FIG. 15 is a perspective view of the third embodiment of a hair removing appliance;
FIG. 16 is a front view thereof;
FIG. 17 is a right side view thereof;
FIG. 18 is a rear view thereof;
FIG. 19 is a left side view thereof;
FIG. 20 is a top plan view thereof; and,
FIG. 21 is a bottom plan view thereof.

1 Claim, 18 Drawing Sheets



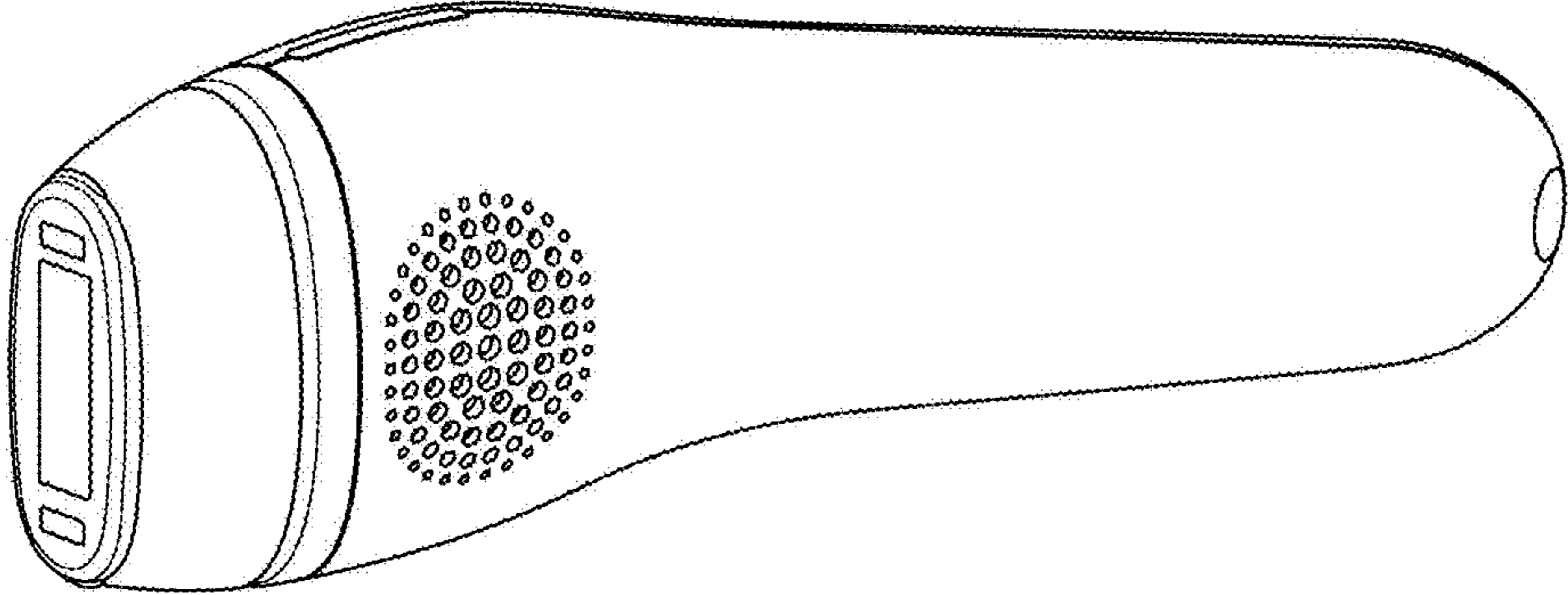


FIG. 1

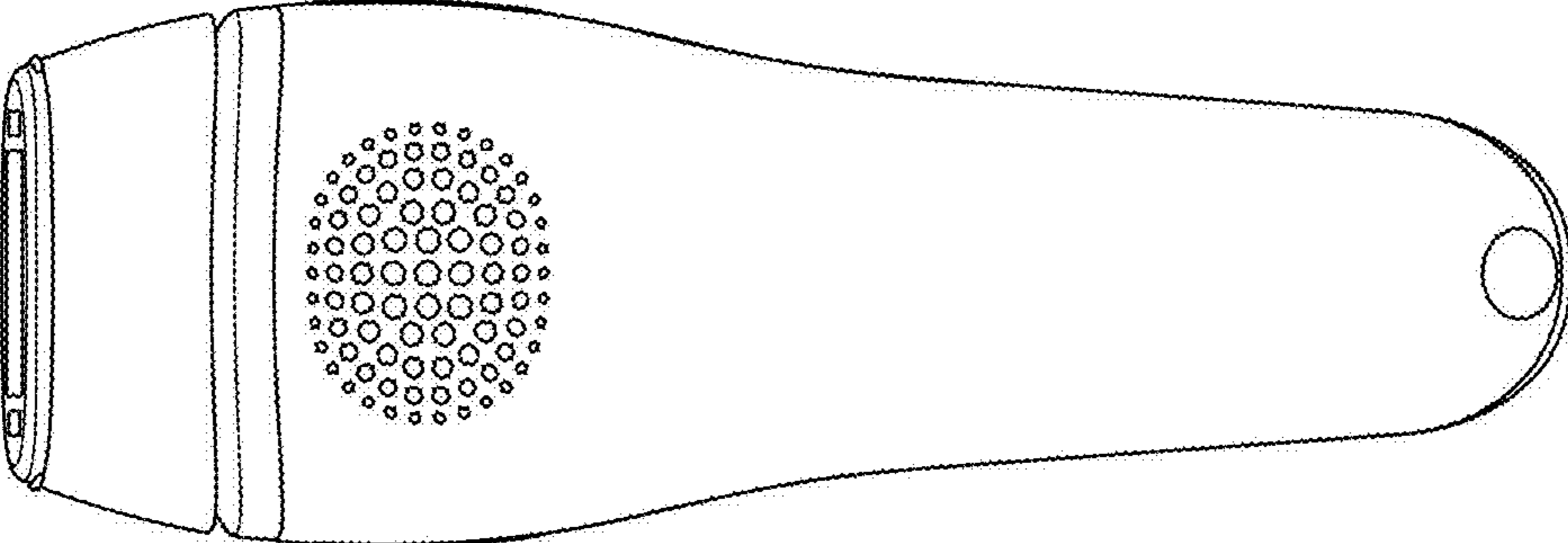


FIG. 2

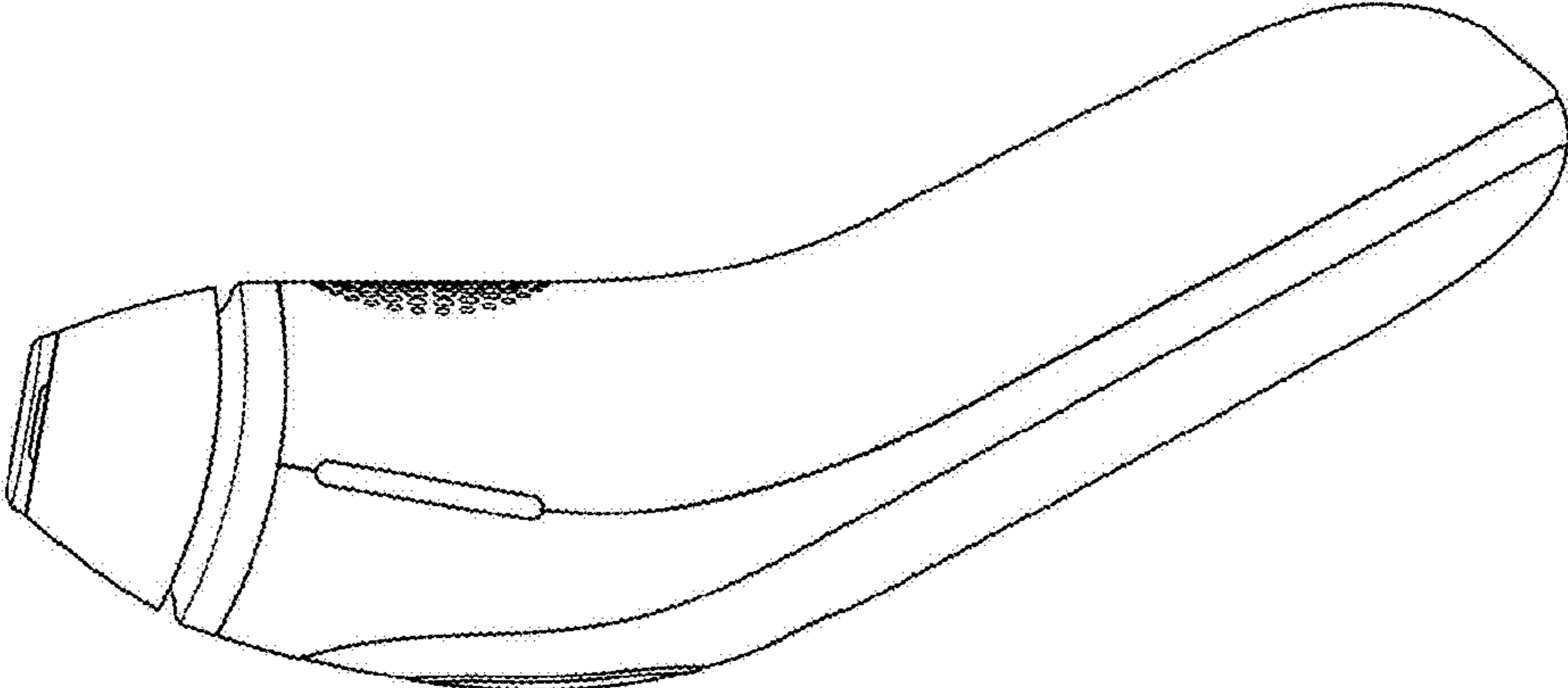


FIG. 3

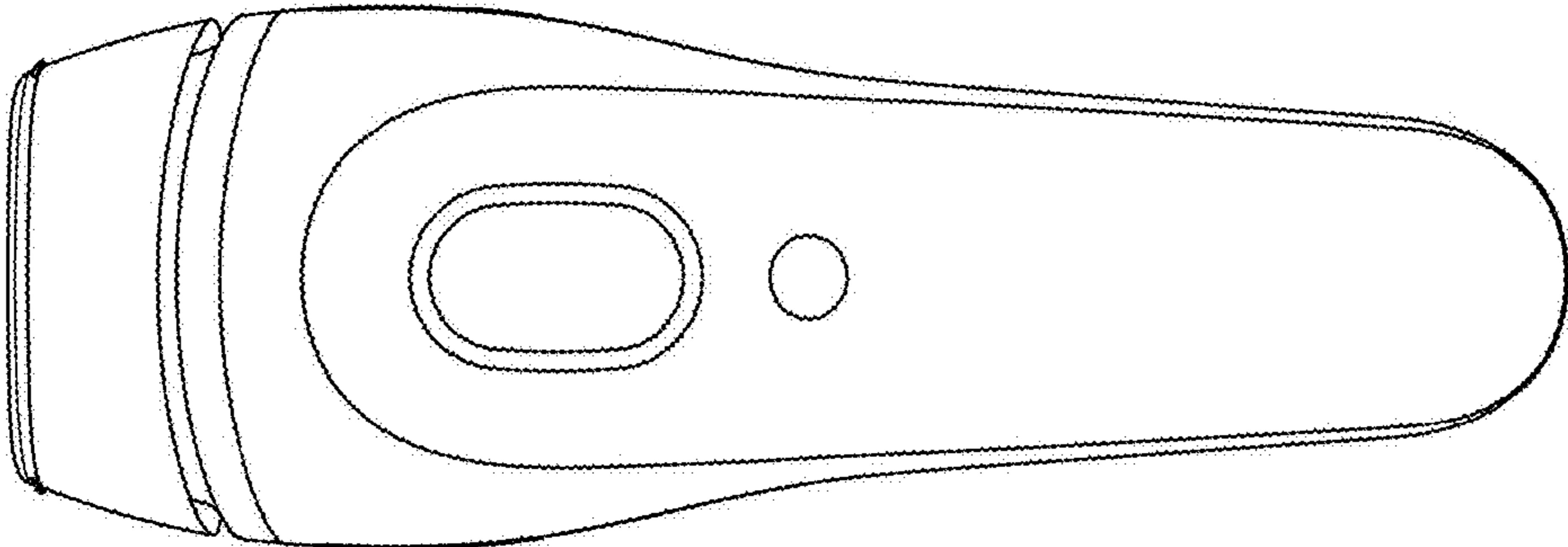


FIG. 4

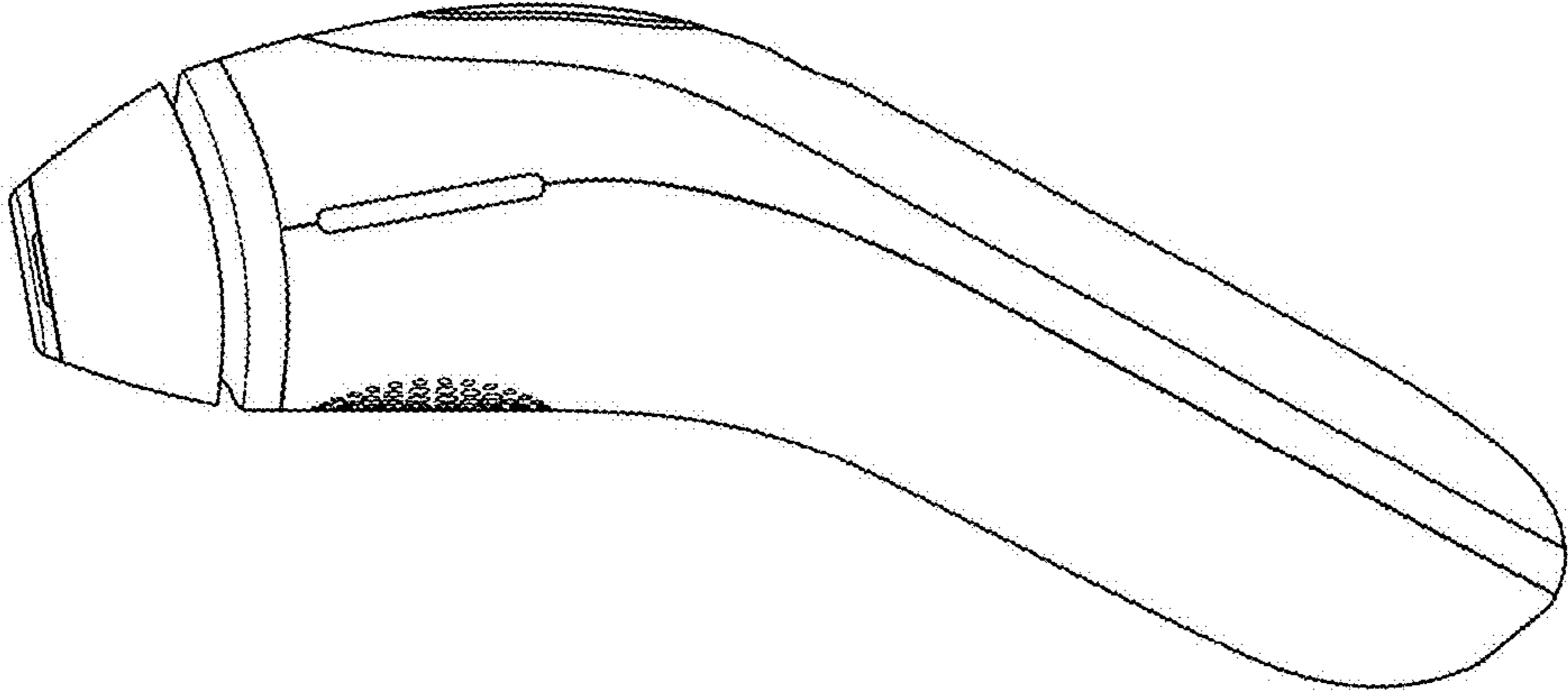


FIG. 5

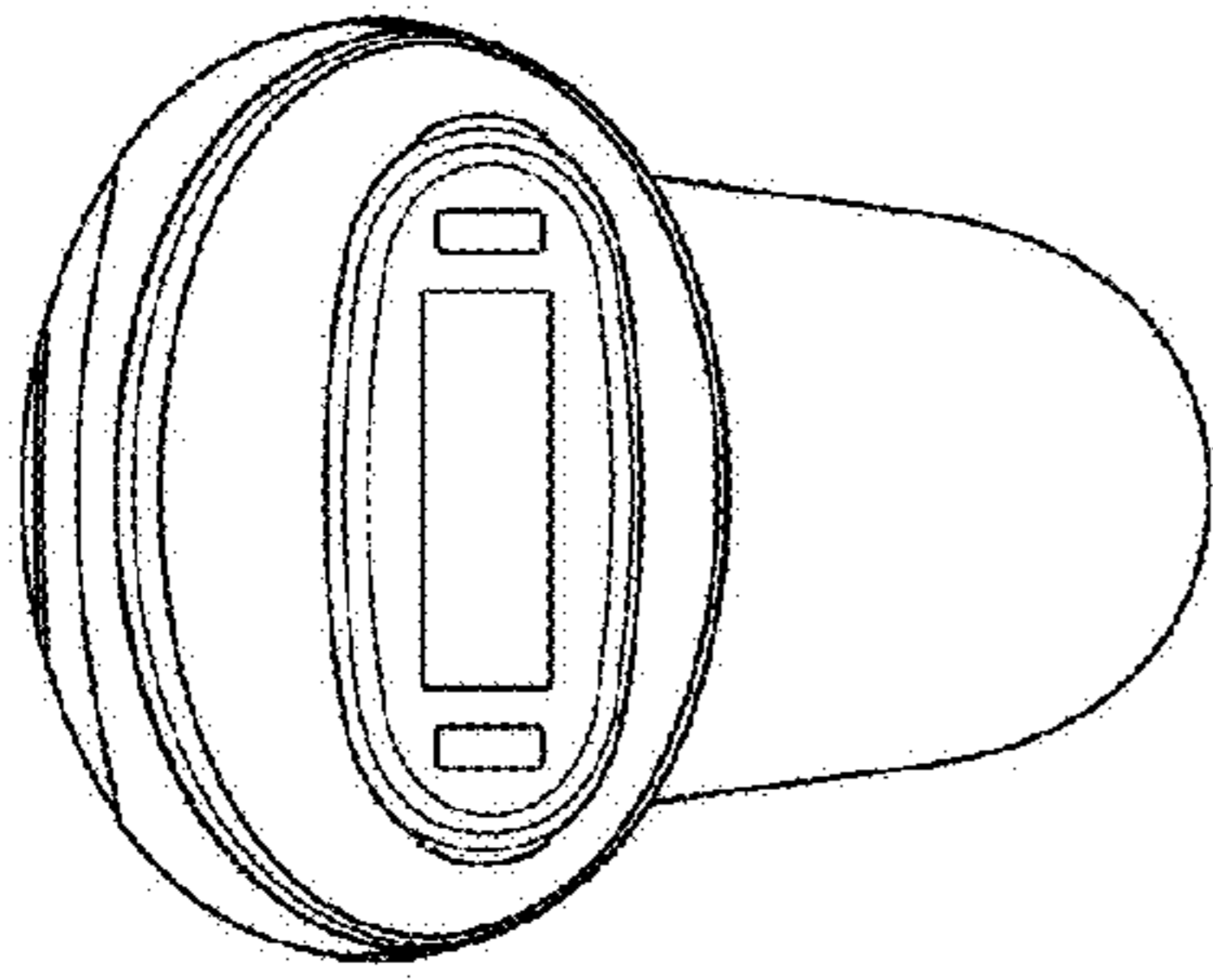


FIG. 6

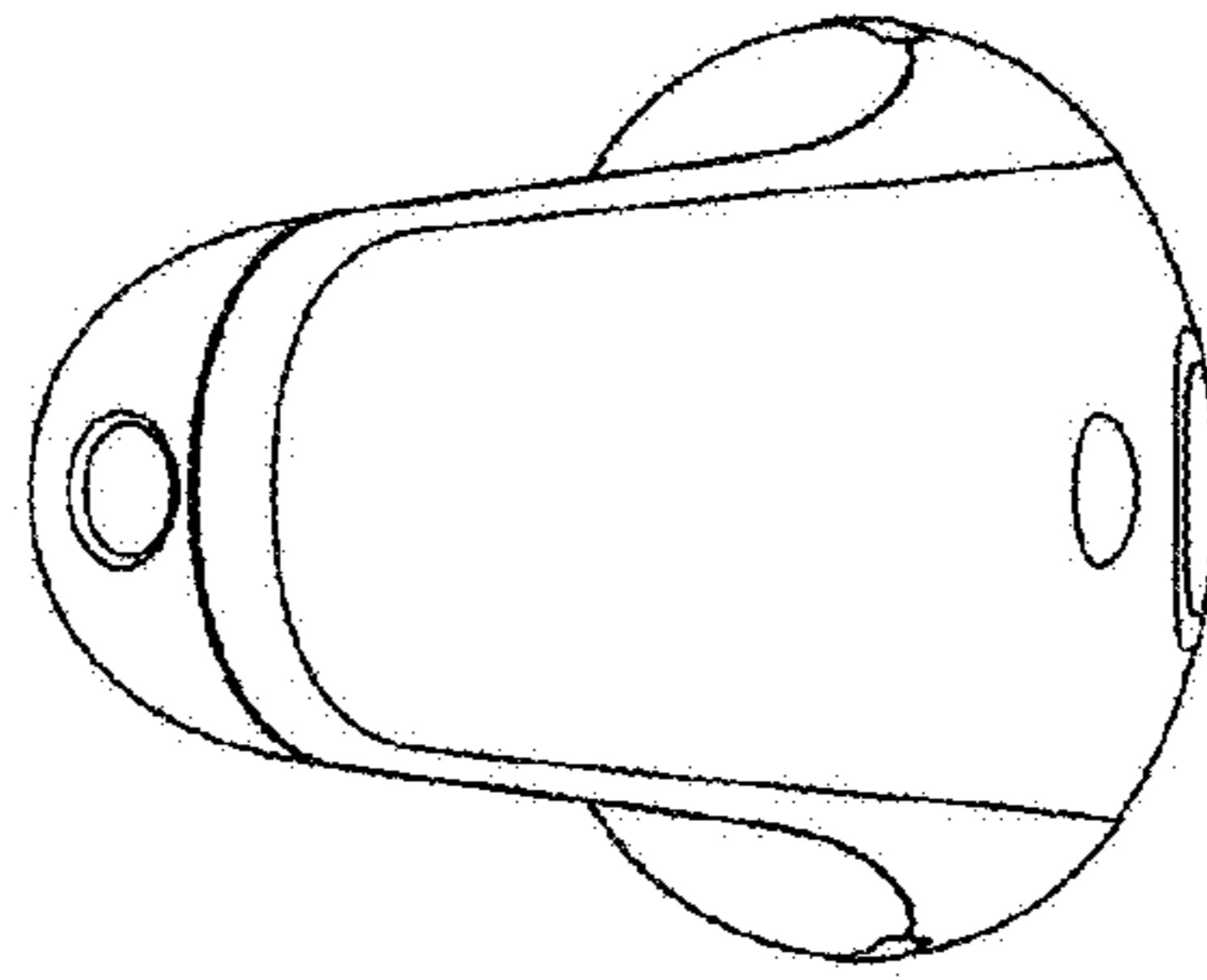


FIG. 7

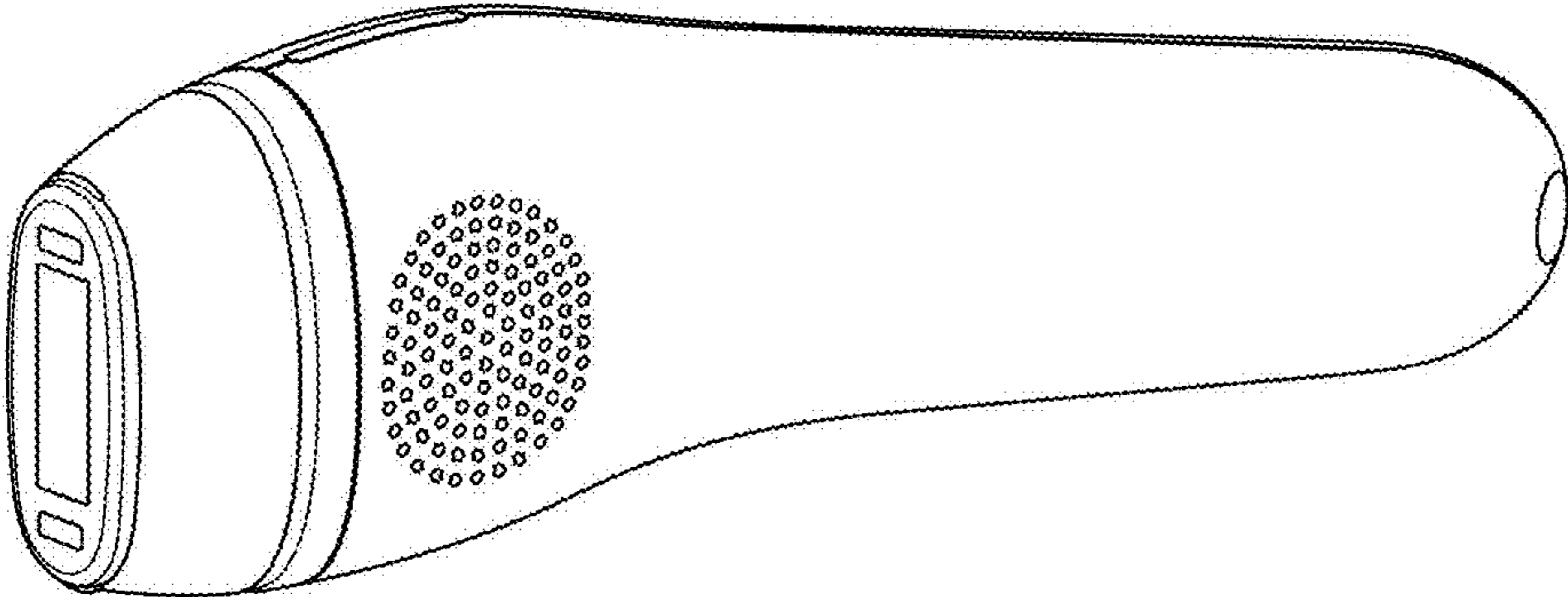


FIG. 8

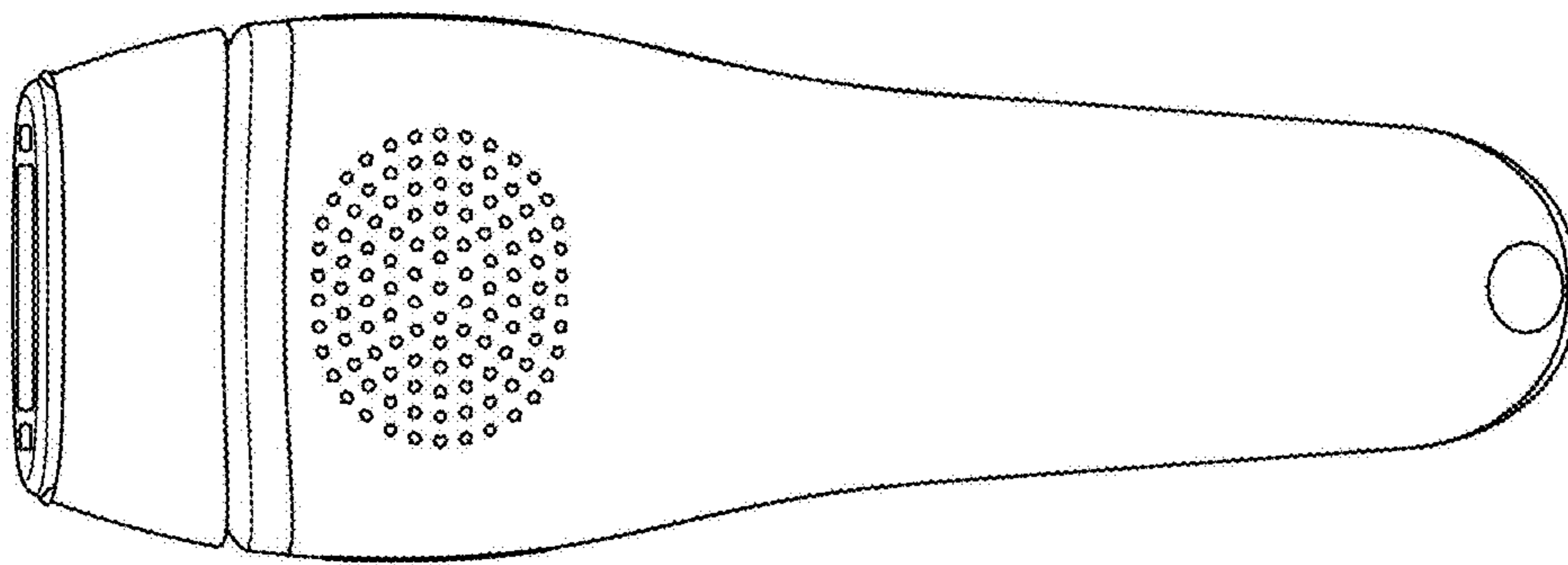


FIG. 9

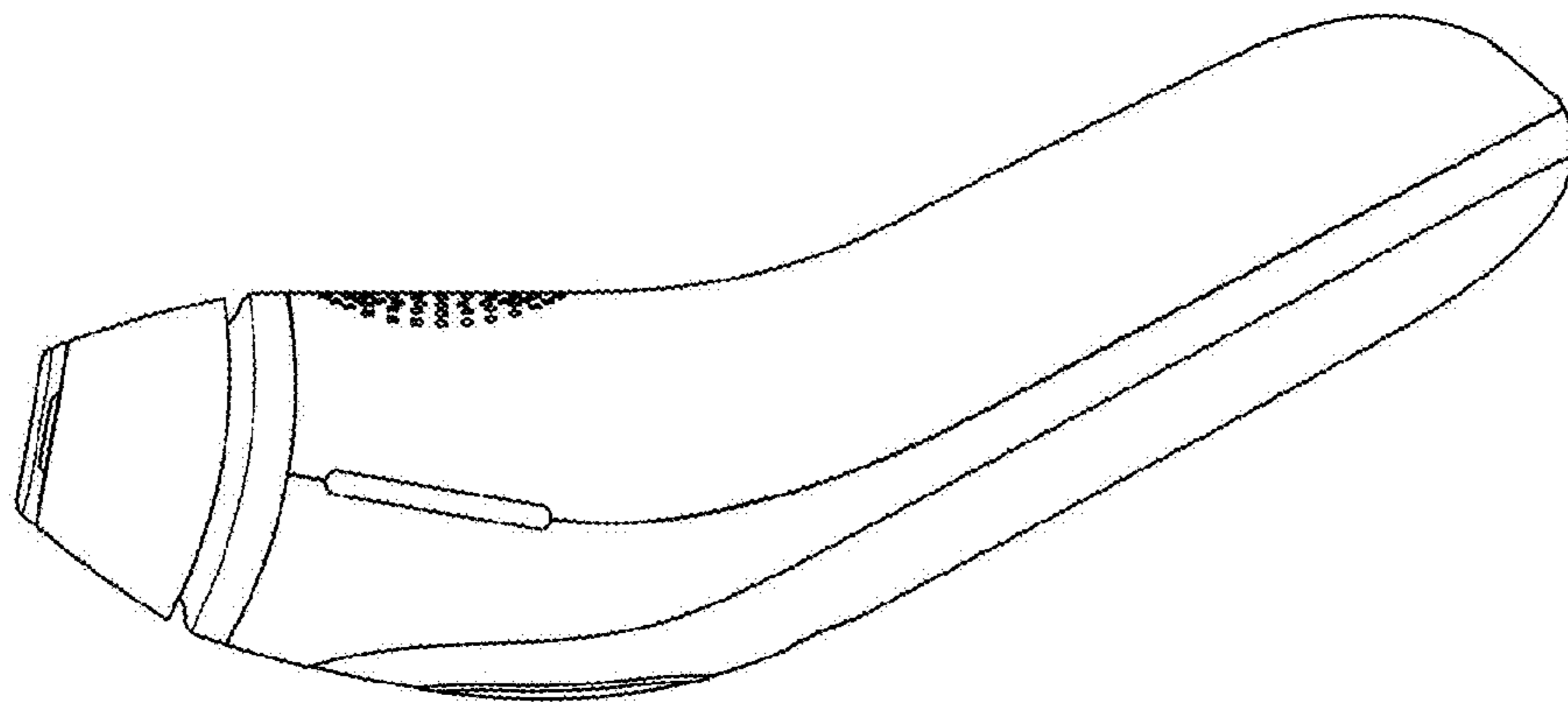


FIG. 10

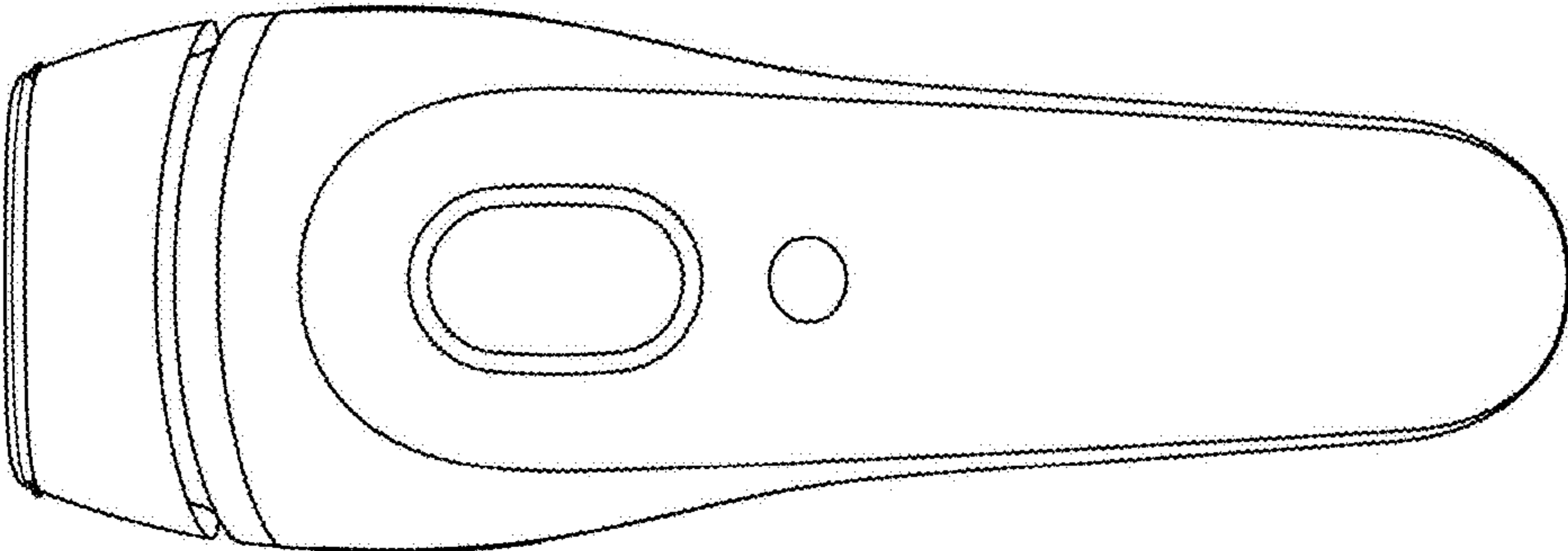


FIG. 11

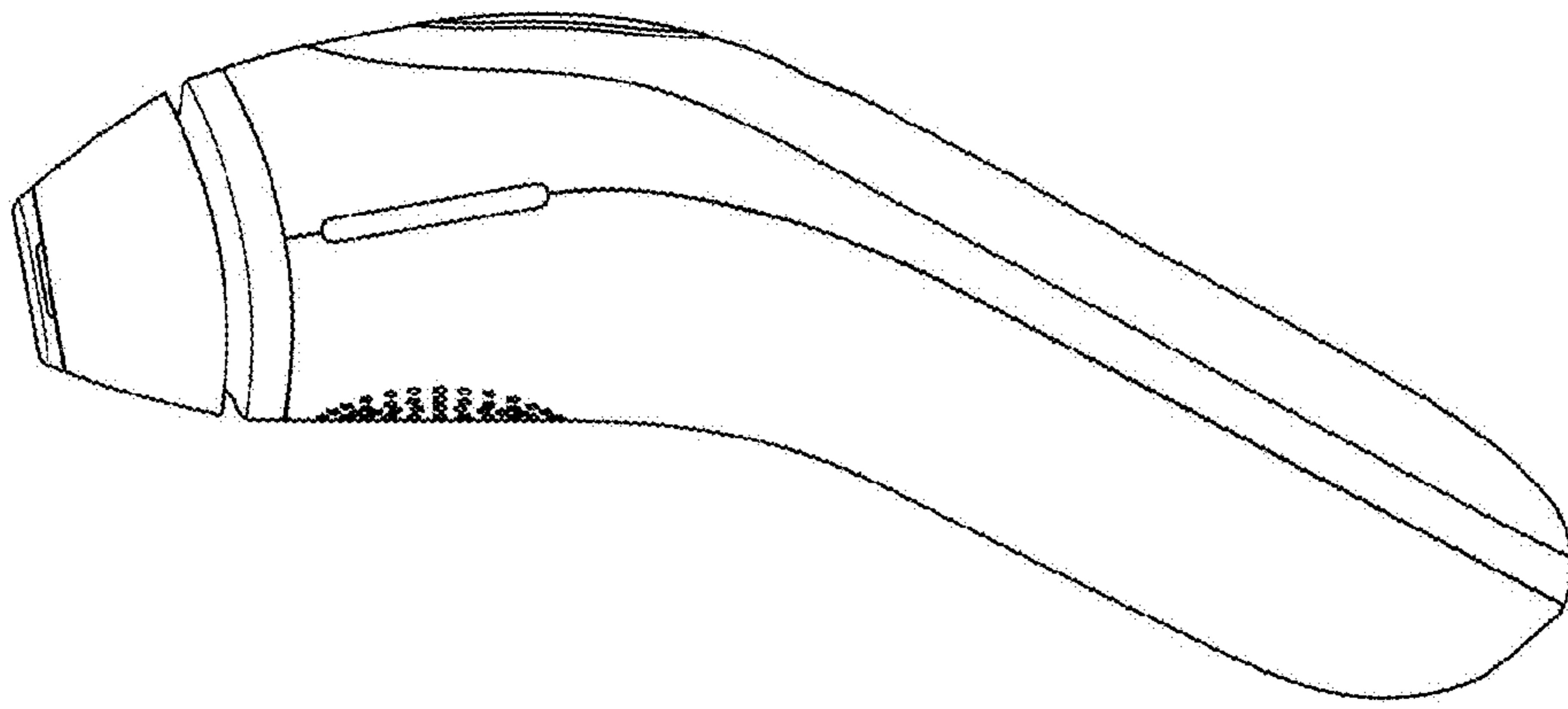


FIG. 12

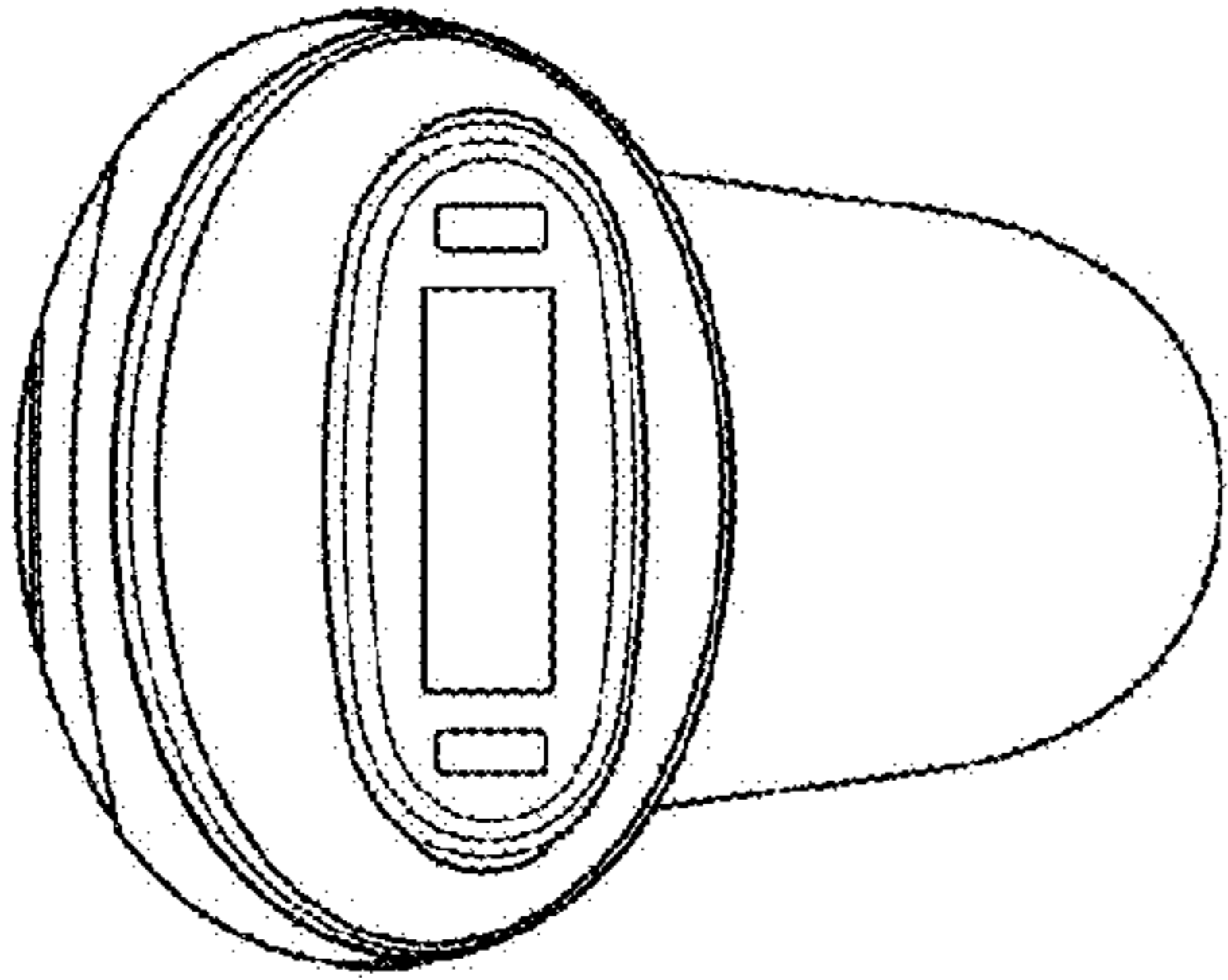


FIG. 13

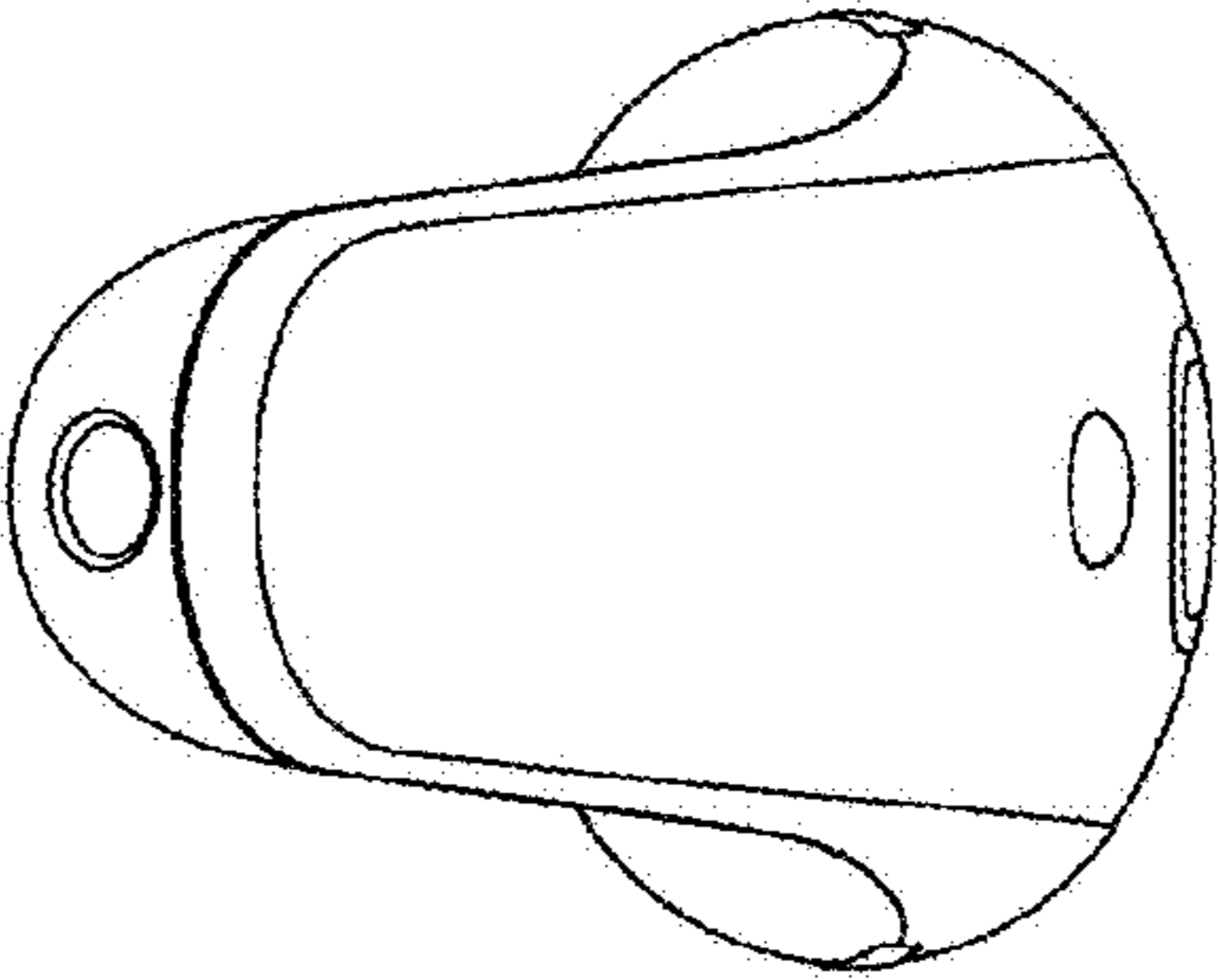


FIG. 14

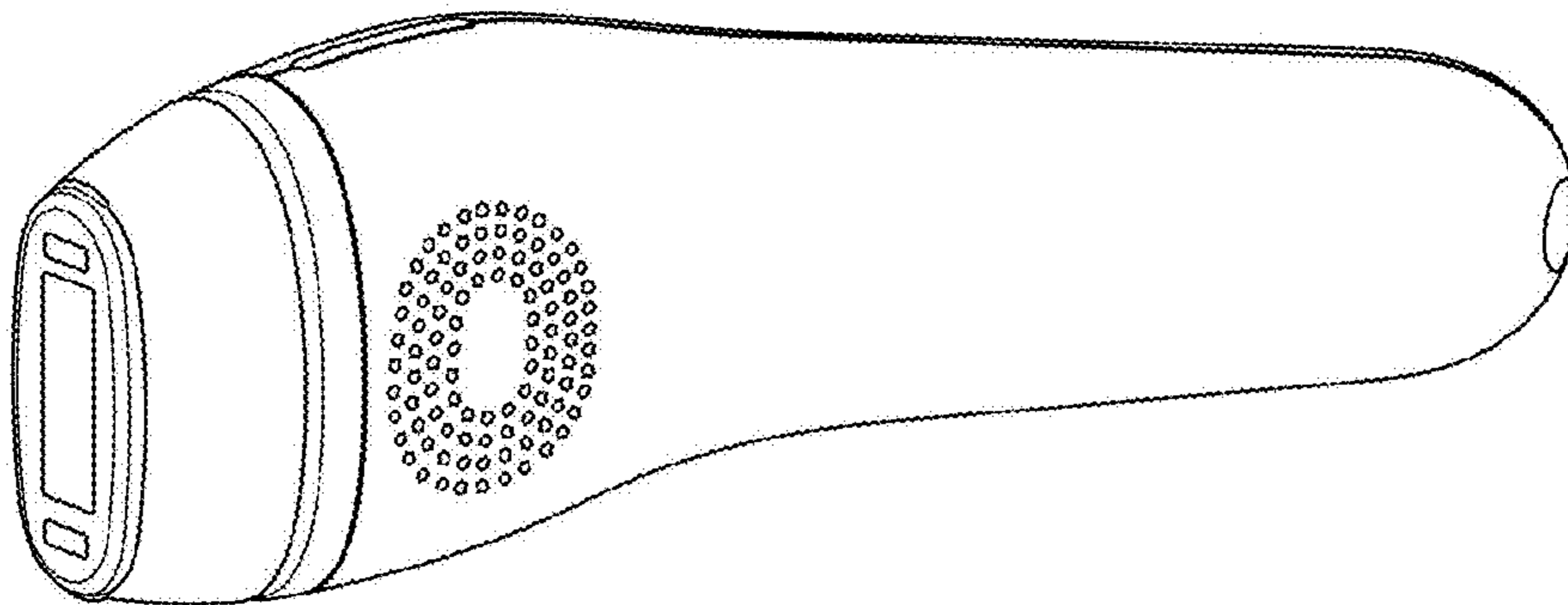


FIG. 15

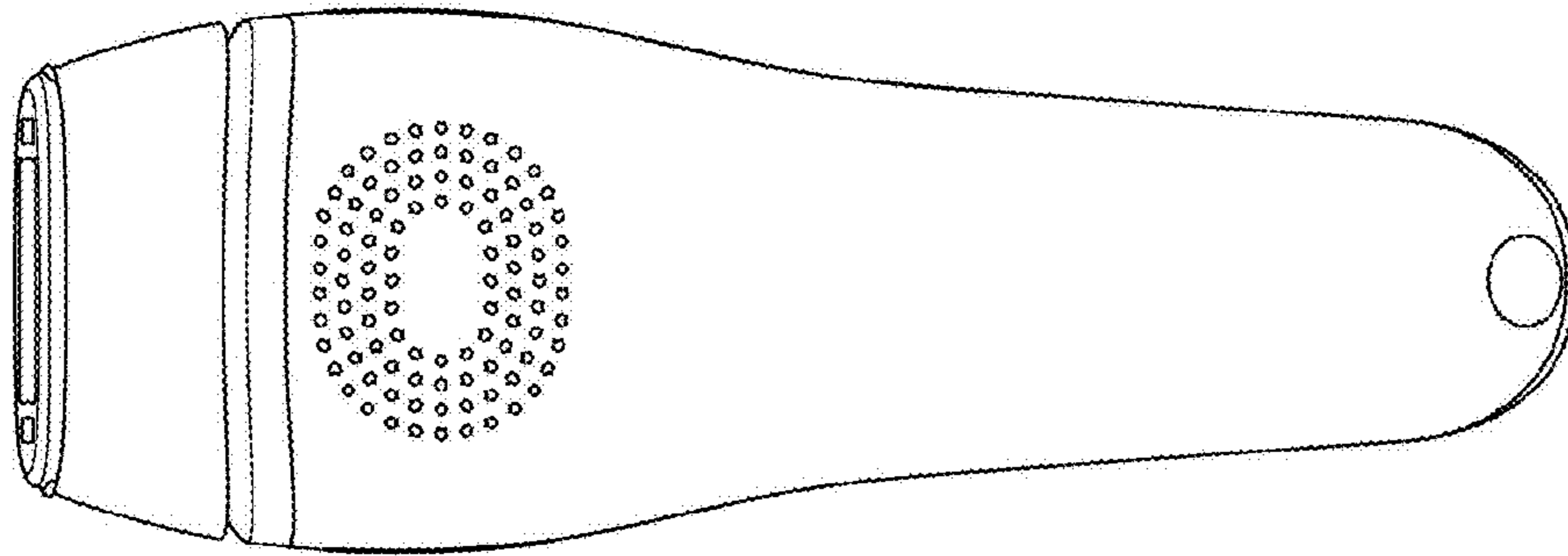


FIG. 16

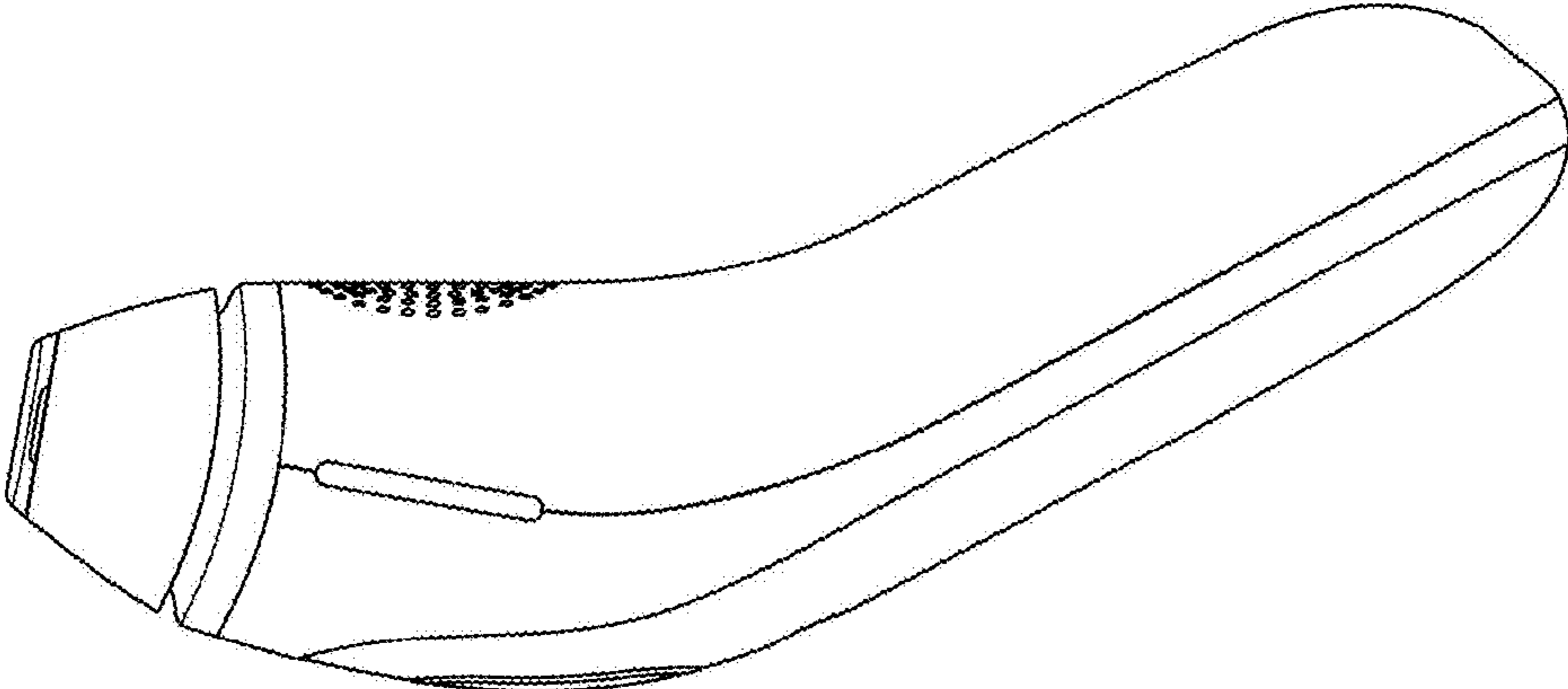


FIG. 17

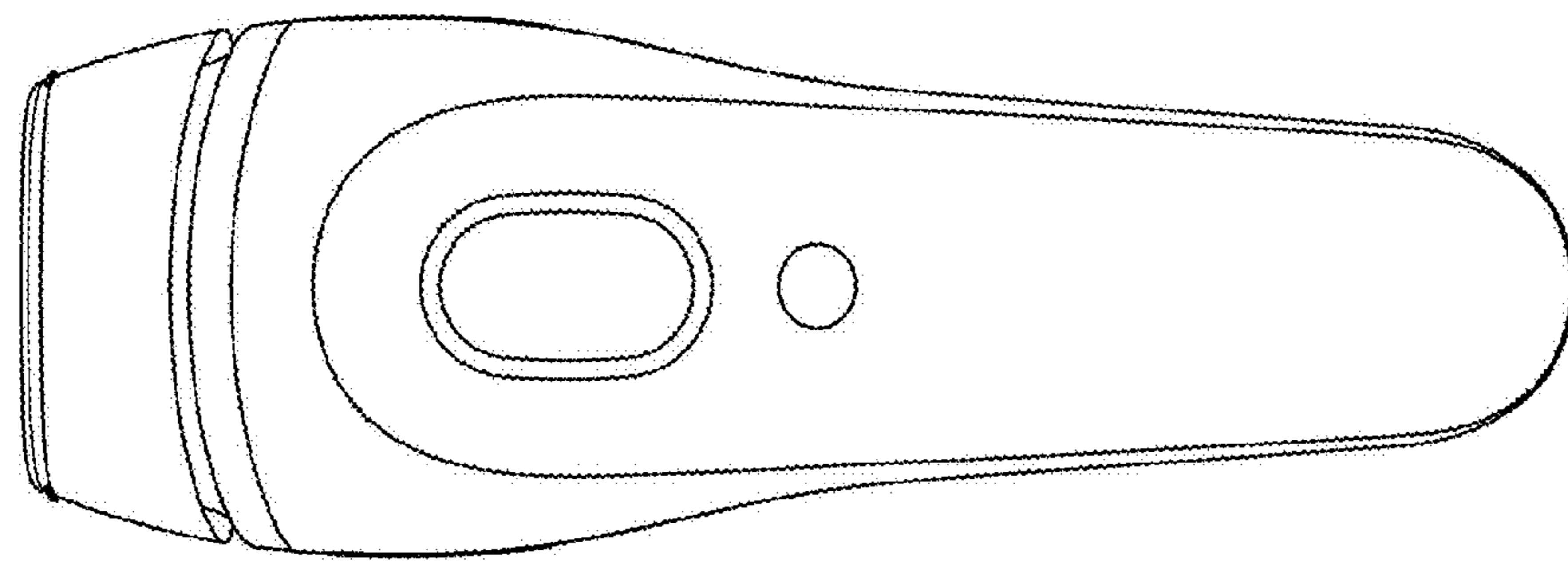


FIG. 18

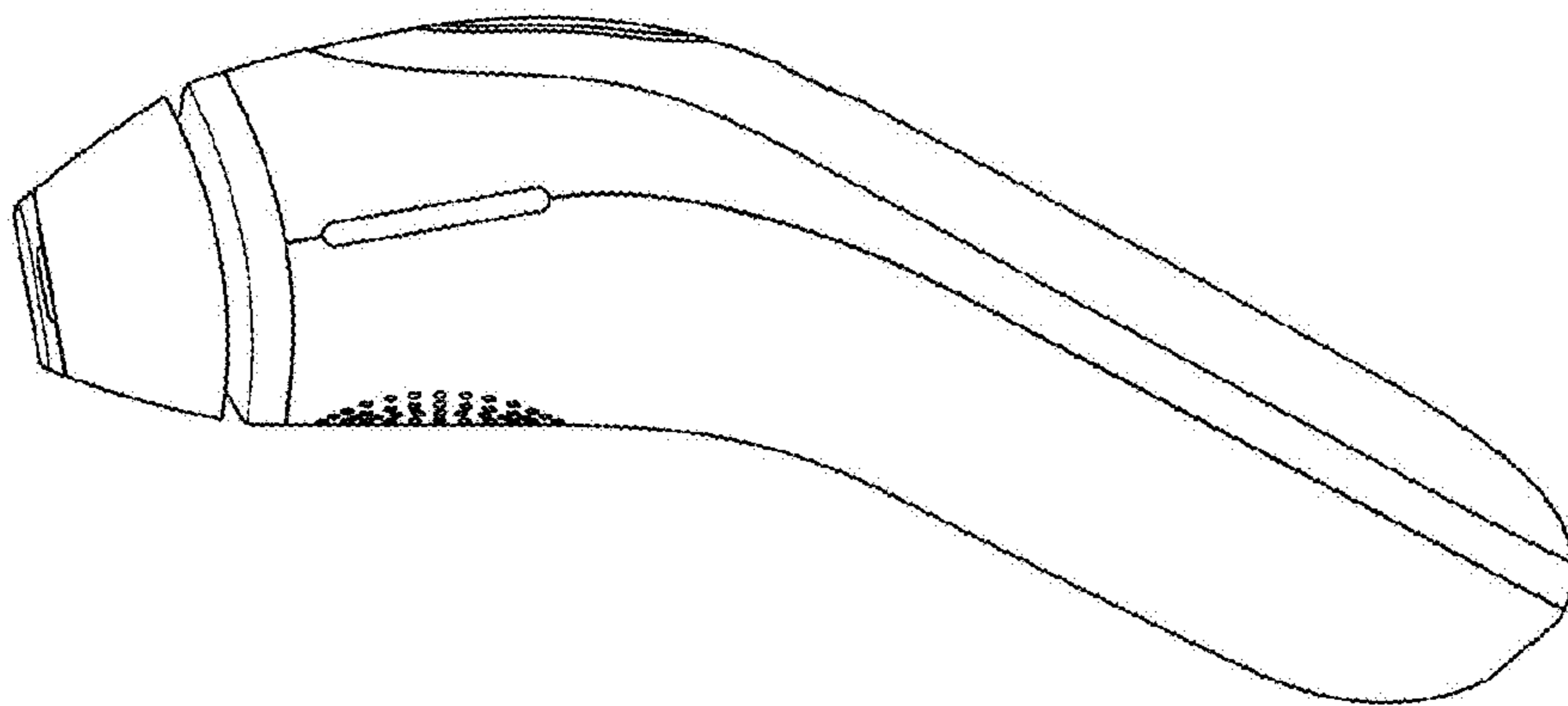


FIG. 19

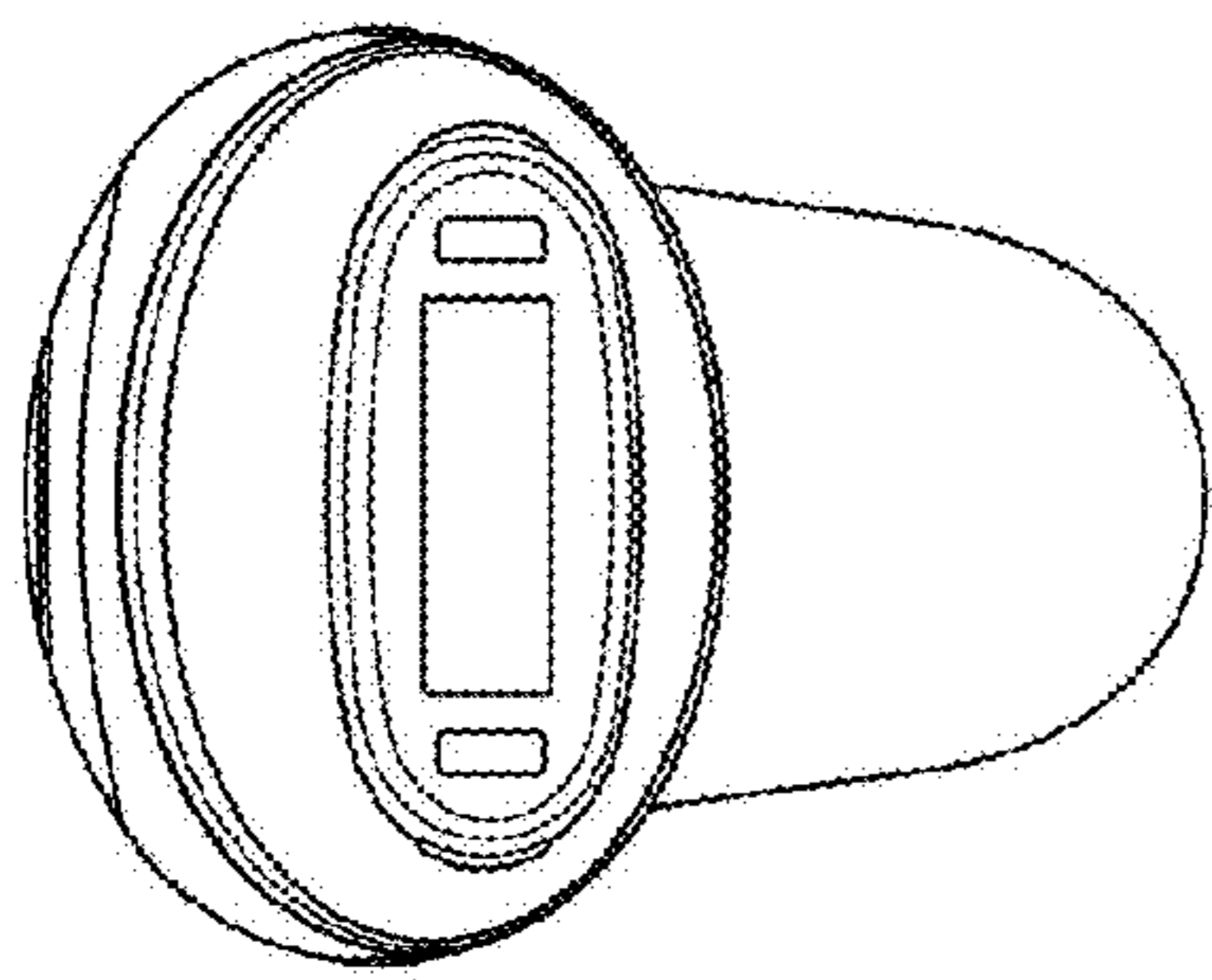


FIG. 20

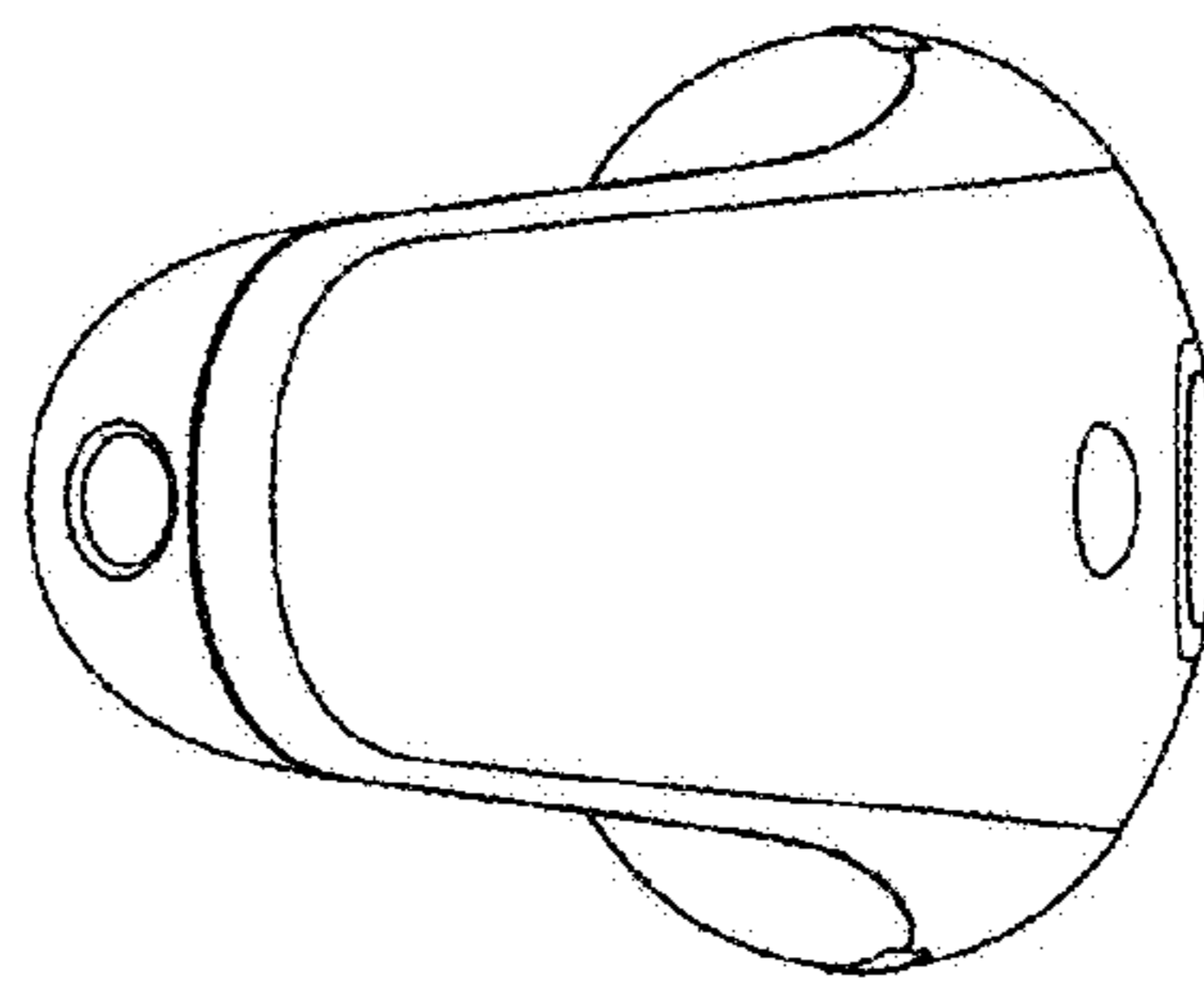


FIG. 21