



US00D776873S

(12) **United States Design Patent** (10) **Patent No.:** **US D776,873 S**  
**Levi et al.** (45) **Date of Patent:** **\*\* Jan. 17, 2017**

(54) **HAIR REMOVAL DEVICE**

(71) Applicants: **BenZion Levi**, Kibbutz Habonim (IL);  
**Moshe Marciano**, Galya (IL)

(72) Inventors: **BenZion Levi**, Kibbutz Habonim (IL);  
**Moshe Marciano**, Galya (IL)

(73) Assignee: **Home Skinovations Ltd.**, Yokneam  
(IL)

(\*\*) Term: **14 Years**

(21) Appl. No.: **29/514,558**

(22) Filed: **Jan. 14, 2015**

(51) **LOC (10) Cl.** ..... **28-03**

(52) **U.S. Cl.**  
USPC ..... **D28/44.1; D24/133; D24/209**

(58) **Field of Classification Search**  
USPC ..... **D28/44-44.1; D24/133, 209; 606/9**  
CPC ..... **A61B 2018/00476; A61B 2018/0047;**  
**A61B 2018/202; A61B 2018/203; A45D**  
**26/00; A45D 26/0004**  
See application file for complete search history.

2014/0142471 A1\* 5/2014 Chambon ..... A61B 18/203  
601/18

2014/0214014 A1\* 7/2014 Yamazaki ..... A45D 26/00  
606/9

2015/0126980 A1\* 5/2015 Levi ..... A61B 18/203  
606/9

2015/0209108 A1\* 7/2015 Kim ..... A61B 18/203  
606/9

**OTHER PUBLICATIONS**

Home skinovations internet image search, date restricted to before  
Jan. 13, 2014, 1 page.\*

\* cited by examiner

*Primary Examiner* — Jennifer Rivard  
(74) *Attorney, Agent, or Firm* — Dekel Patent Ltd.; David  
Klein

(57) **CLAIM**

The ornamental design for a hair removal device, as shown  
and described.

**DESCRIPTION**

FIG. 1 is a bottom view of a hair removal device, showing  
my new design;  
FIG. 2 is a side view thereof;  
FIG. 3 is a top view thereof;  
FIG. 4 is a front view thereof;  
FIG. 5 is a rear view thereof;  
FIG. 6 is a front perspective view thereof;  
FIG. 7 is a rear perspective view thereof; and,  
FIG. 8 is a bottom perspective view thereof.  
The broken lines illustrate portions of the hair removal  
device and form no part of the claimed design.  
The nature and intended use of the article in which the  
design is embodied is that of a light energy device for hair  
removal.

(56) **References Cited**

**U.S. PATENT DOCUMENTS**

7,479,137 B2\* 1/2009 Yamazaki ..... A45D 26/00  
606/133

D589,650 S \* 3/2009 Adriaenssen ..... D28/44.1

D653,811 S \* 2/2012 BenZion ..... D28/44.1

D705,484 S \* 5/2014 Bourgeois ..... D28/44.1

D705,989 S \* 5/2014 Levi ..... D28/44.1

D705,992 S \* 5/2014 Levi ..... D24/209

D706,980 S \* 6/2014 Tasar ..... D24/133

2011/0004201 A1\* 1/2011 Nuijs ..... A61B 18/203  
606/9

2014/0081250 A1\* 3/2014 Eckhouse ..... A45D 26/00  
606/9

**1 Claim, 8 Drawing Sheets**

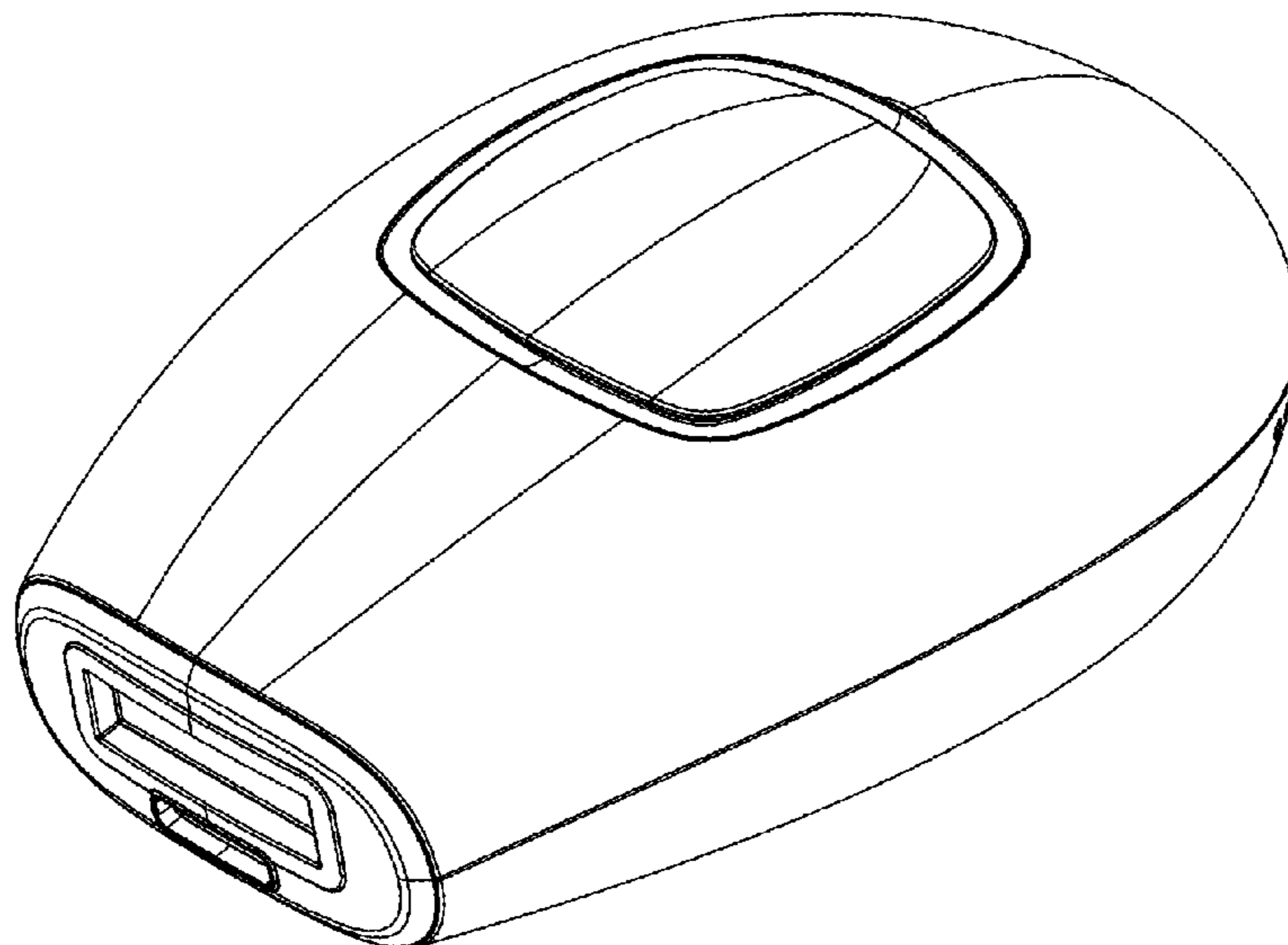


FIG. 1

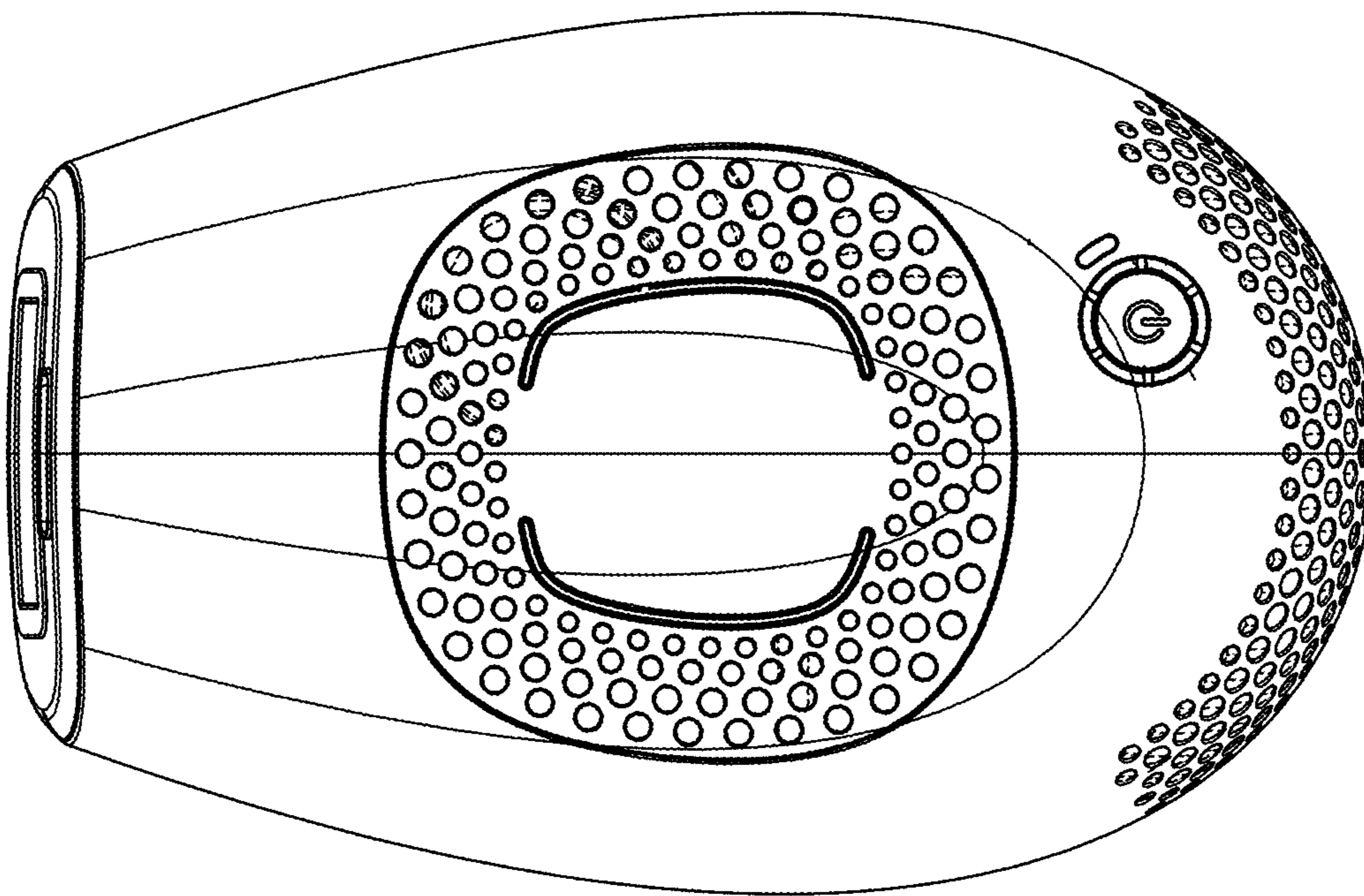


FIG. 2

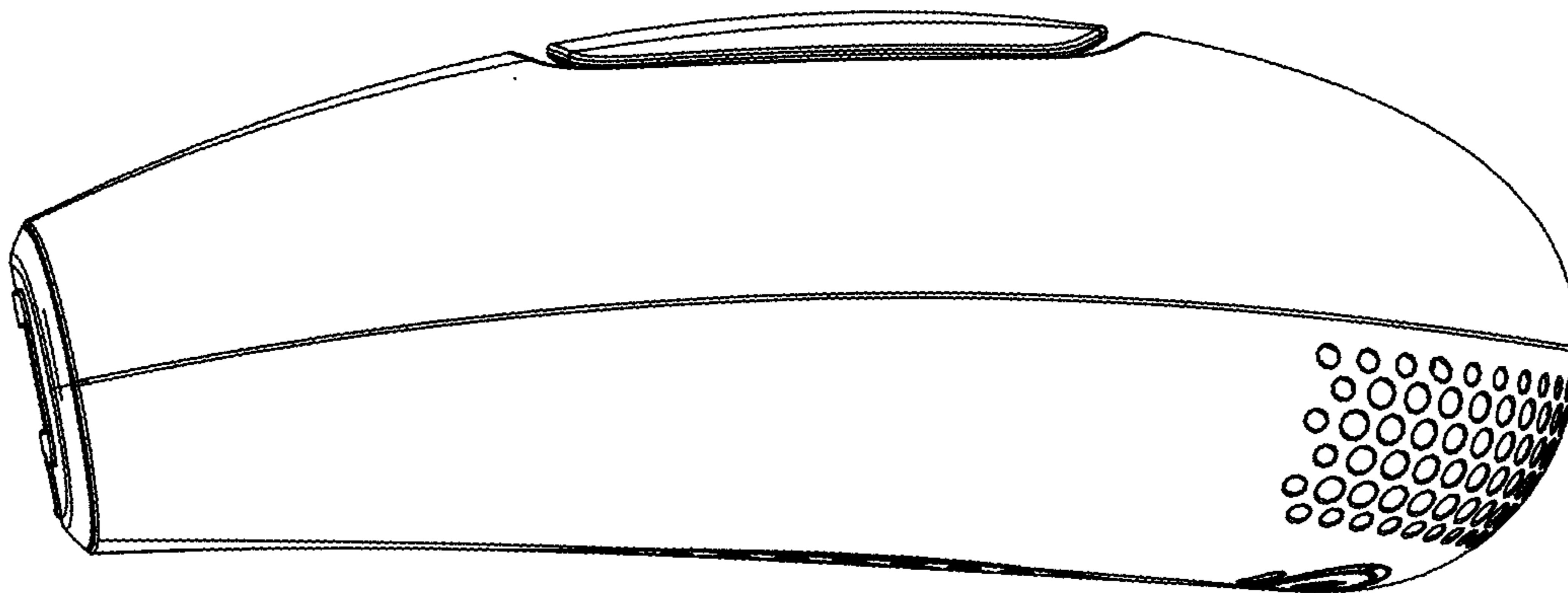


FIG. 3

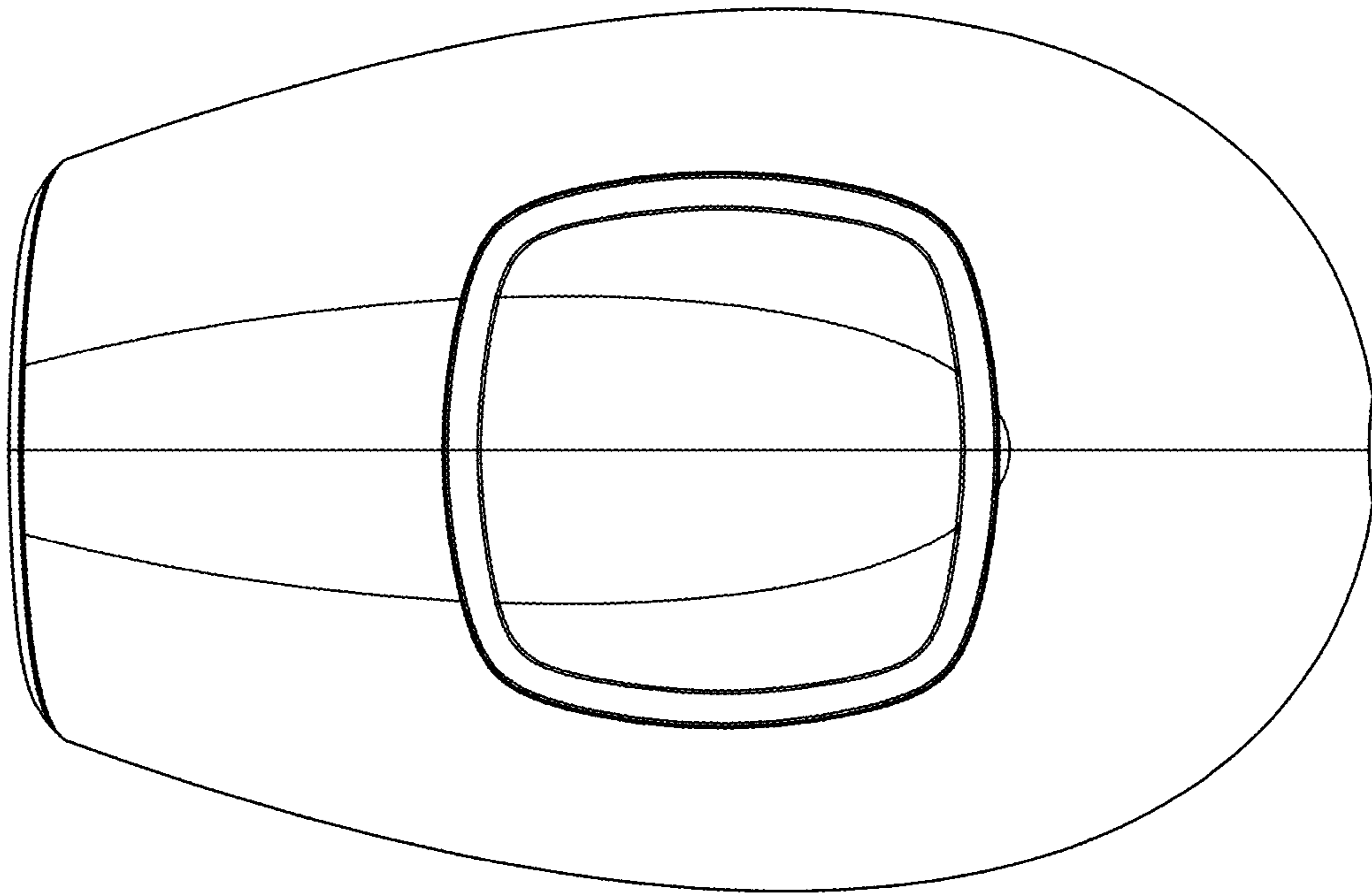


FIG. 4

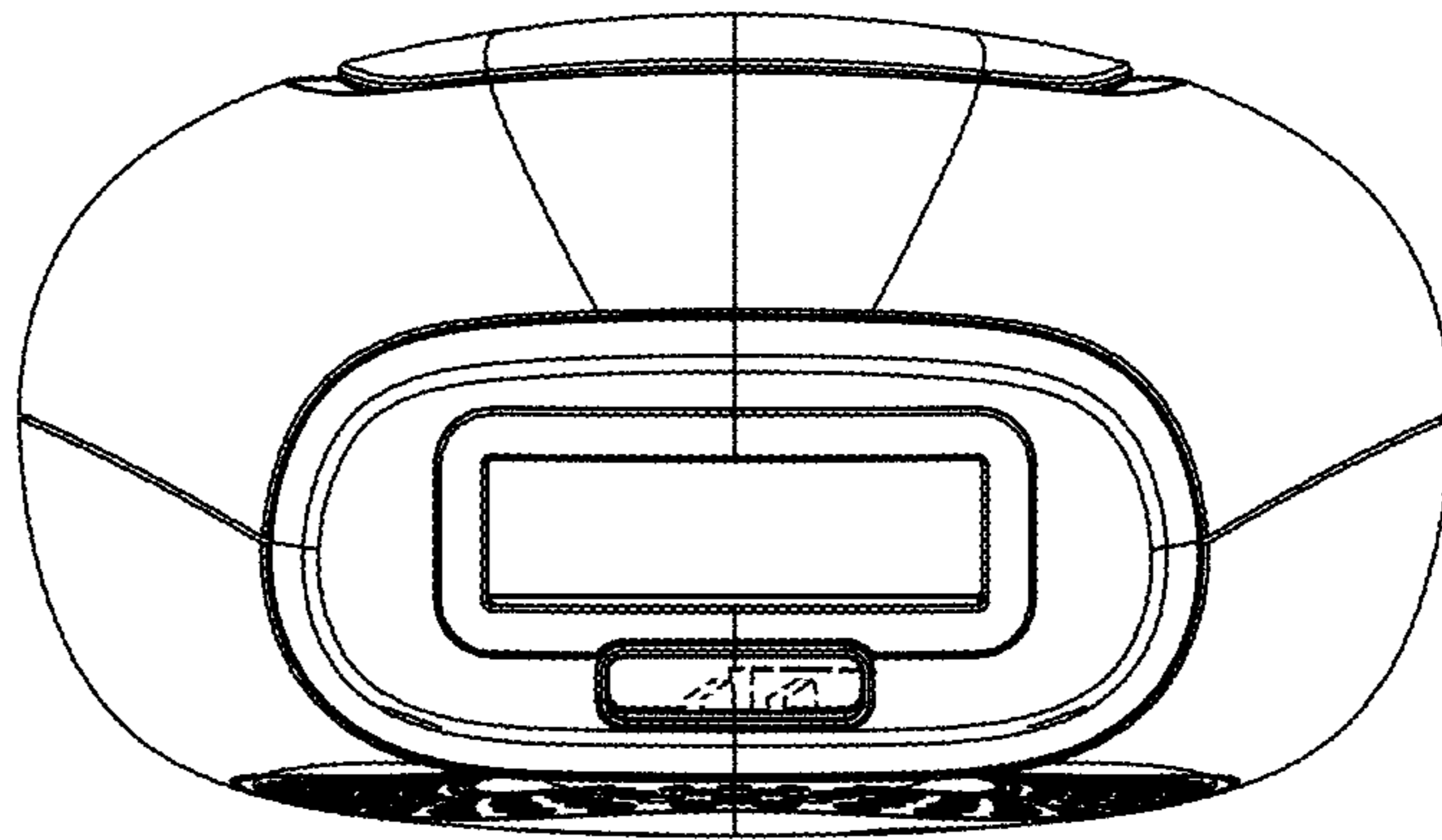


FIG. 5

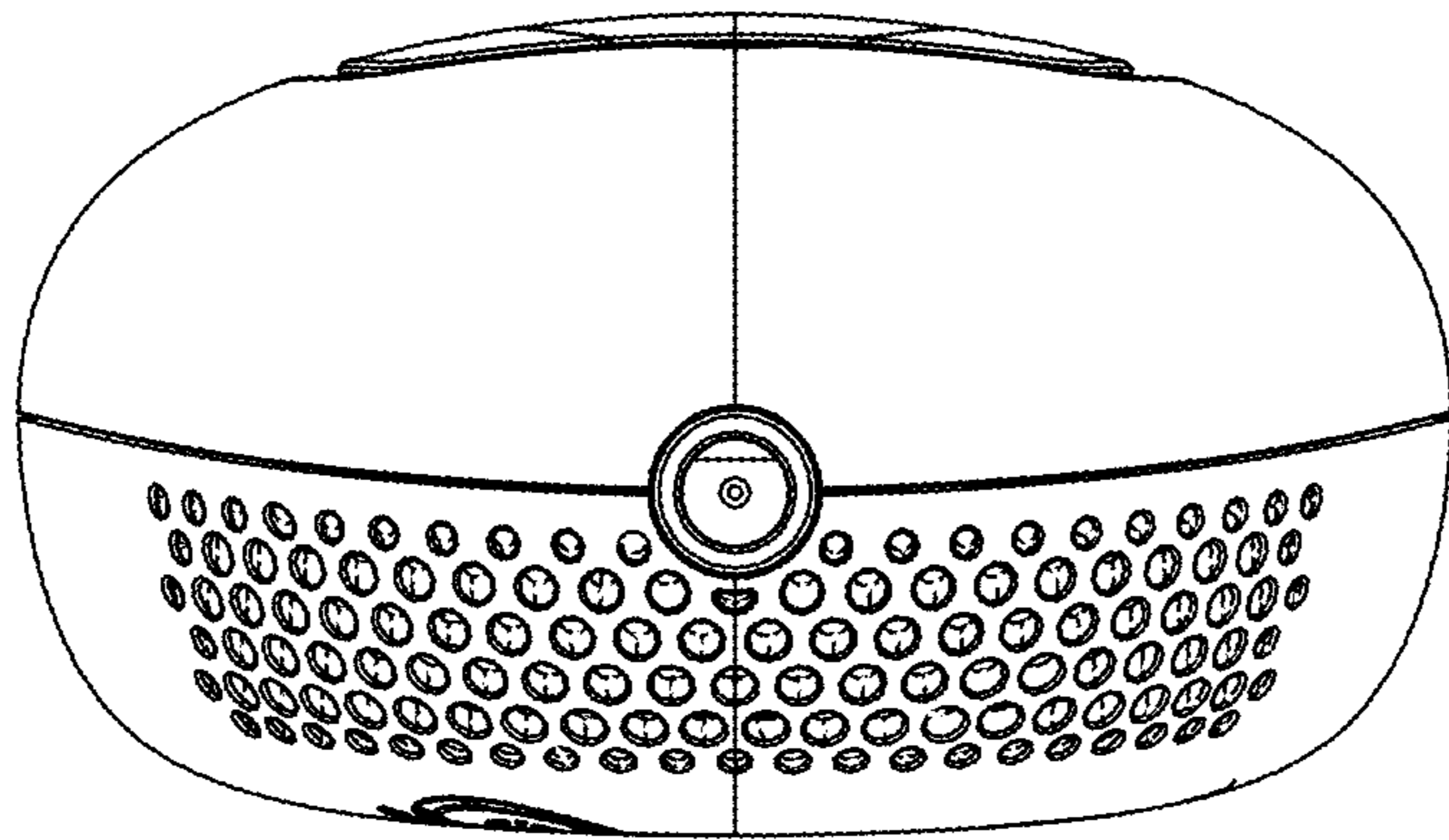


FIG. 6

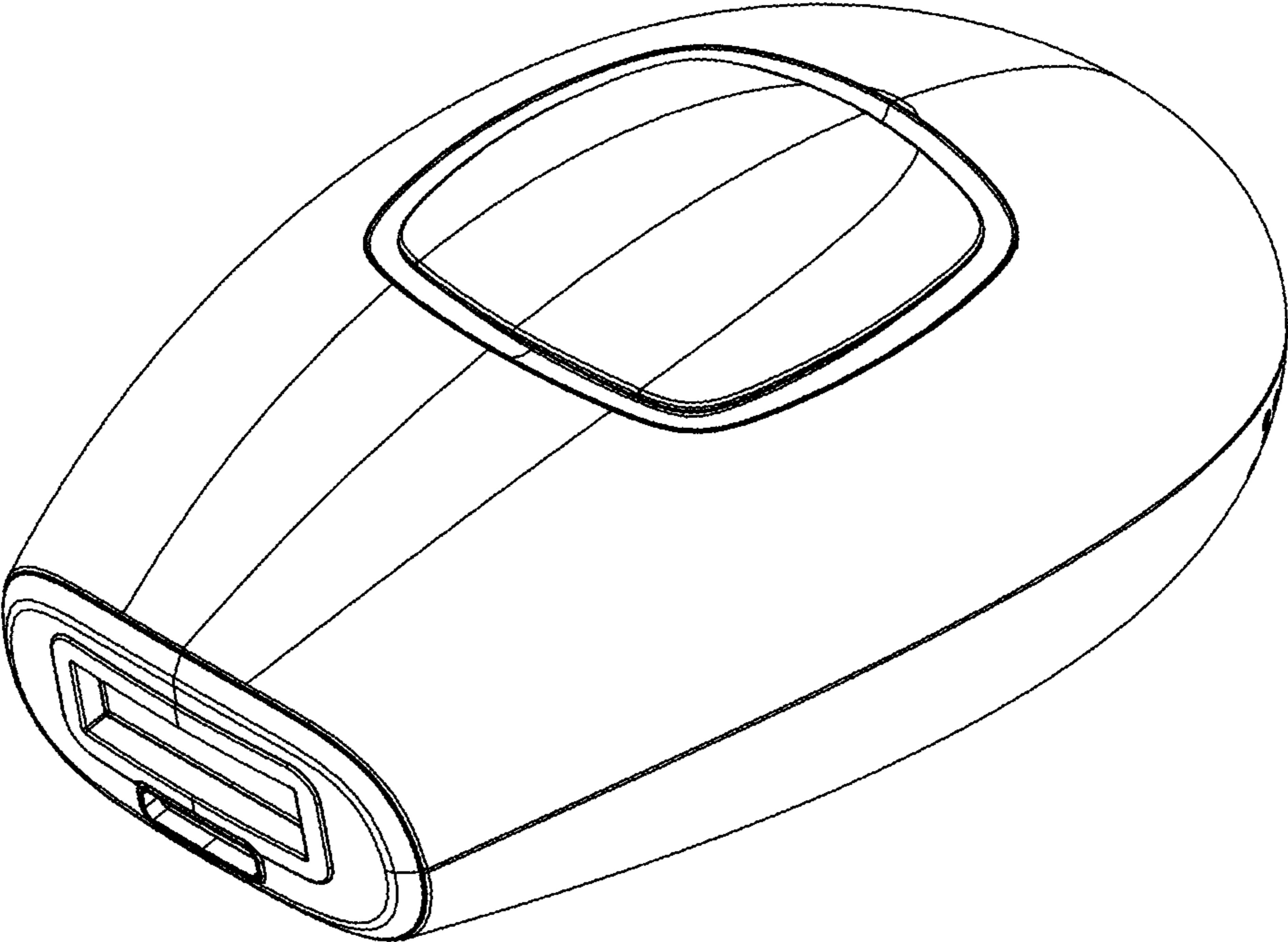


FIG. 7

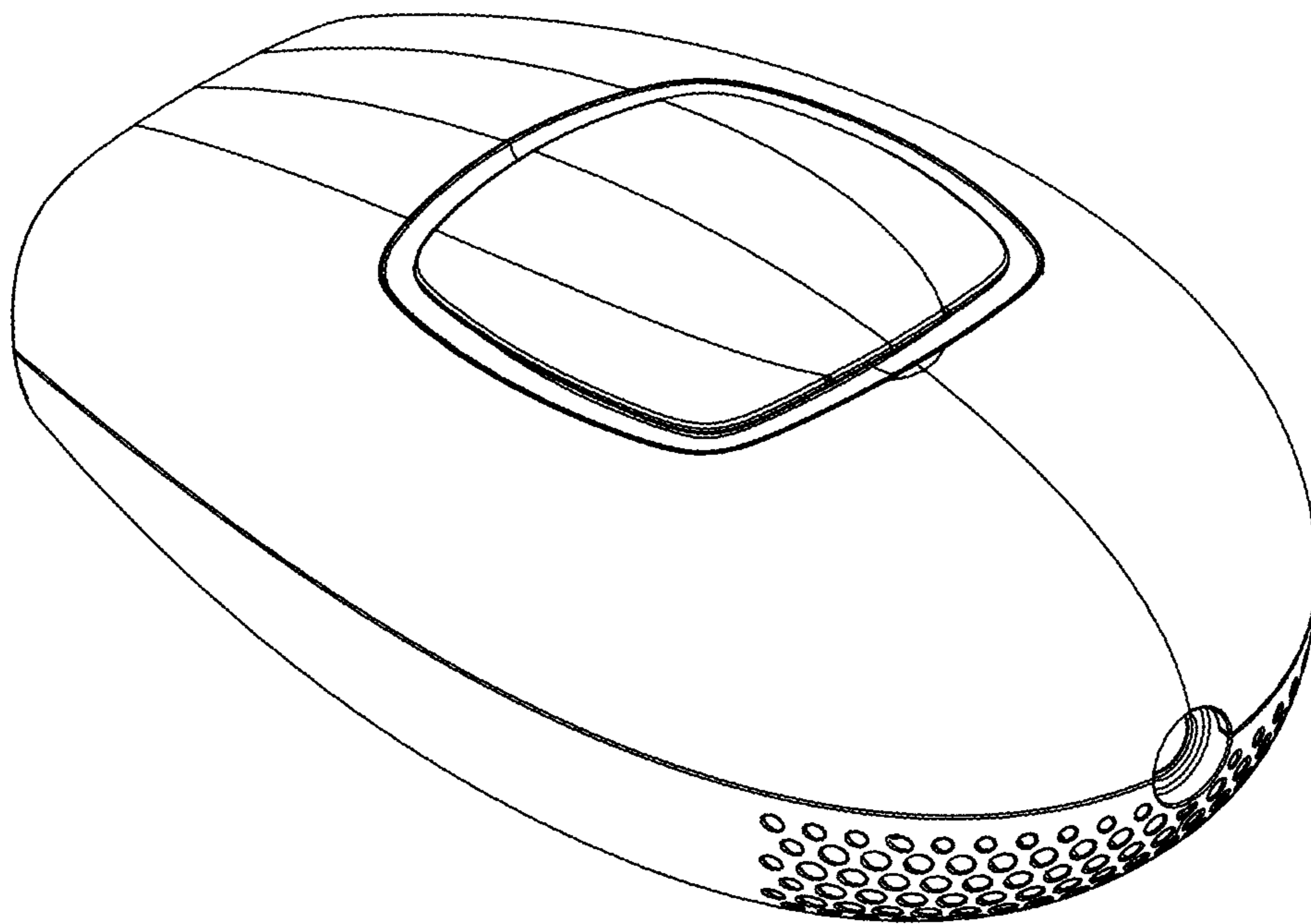




FIG. 8

