



US00D776870S

(12) **United States Design Patent**
Jones et al.

(10) **Patent No.:** **US D776,870 S**
(45) **Date of Patent:** **** Jan. 17, 2017**

(54) **EYELINER STAMP**

(71) Applicants: **Savannah L. Jones**, Buford, GA (US);
Macy E. Dykes, Duluth, GA (US);
Lauren E. Eshelman, Sugar Hill, GA (US)

(72) Inventors: **Savannah L. Jones**, Buford, GA (US);
Macy E. Dykes, Duluth, GA (US);
Lauren E. Eshelman, Sugar Hill, GA (US)

(**) Term: **15 Years**

(21) Appl. No.: **29/527,058**

(22) Filed: **May 15, 2015**

(51) **LOC (10) Cl.** **28-03**

(52) **U.S. Cl.**
USPC **D28/7**

(58) **Field of Classification Search**

USPC D28/7, 8, 9, 20, 21, 22, 30, 31, 63, 76,
D28/85, 99; D18/14, 15; 132/317, 320
CPC A45D 33/18; A45D 40/30; A45D 40/262;
A45D 2200/10; A45D 2200/1009; A45D
2200/1018; A45D 2200/1027; A45D
2200/1072

See application file for complete search history.

(56) **References Cited**

U.S. PATENT DOCUMENTS

D683,071 S * 5/2013 Lorenz D28/7
D707,393 S * 6/2014 Lorenz D28/7

D742,590 S * 11/2015 Johnson D28/7
D761,489 S * 7/2016 Krakovszki D28/7
2010/0242539 A1* 9/2010 Maxey A44C 15/0005
63/14.9
2015/0083158 A1* 3/2015 Abraham A45D 40/24
132/317

* cited by examiner

Primary Examiner — Sheryl Lane

Assistant Examiner — Calvin E Vansant

(74) *Attorney, Agent, or Firm* — Bryan L. Baysinger

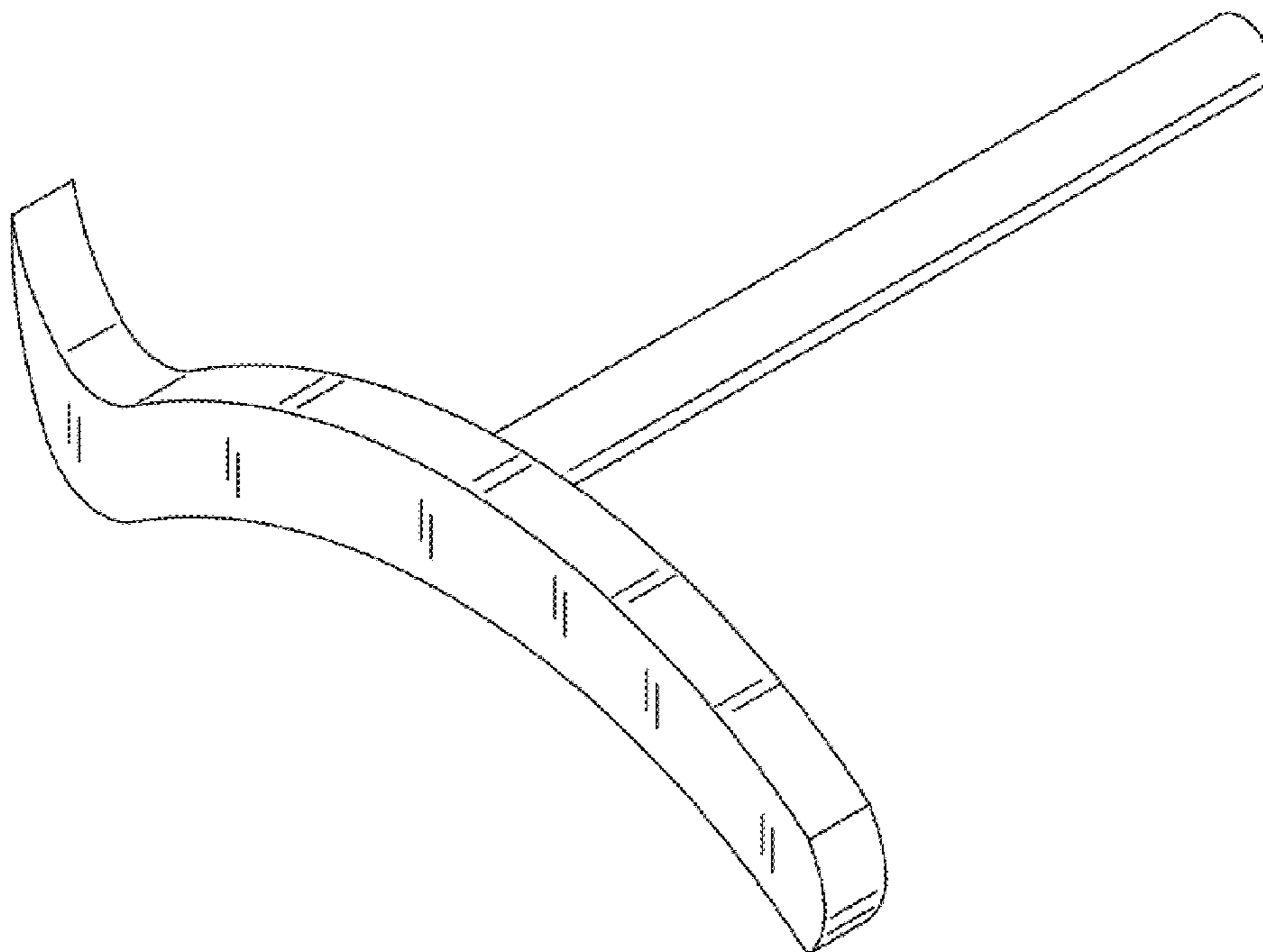
(57) **CLAIM**

We claim the ornamental design for an eyeliner stamp, as shown and described.

DESCRIPTION

FIG. 1 is a front perspective view showing an eyeliner stamp;
FIG. 2 is a rear perspective view showing the eyeliner stamp of FIG. 1;
FIG. 3 is a front view showing the eyeliner stamp of FIG. 1;
FIG. 4 is a rear view showing the eyeliner stamp of FIG. 1;
FIG. 5 is a top view showing the eyeliner stamp of FIG. 1;
FIG. 6 is a bottom view showing the eyeliner stamp of FIG. 1;
FIG. 7 is a left side view showing the eyeliner stamp of FIG. 1; and,
FIG. 8 is a right side view showing the eyeliner stamp of FIG. 1.

1 Claim, 1 Drawing Sheet



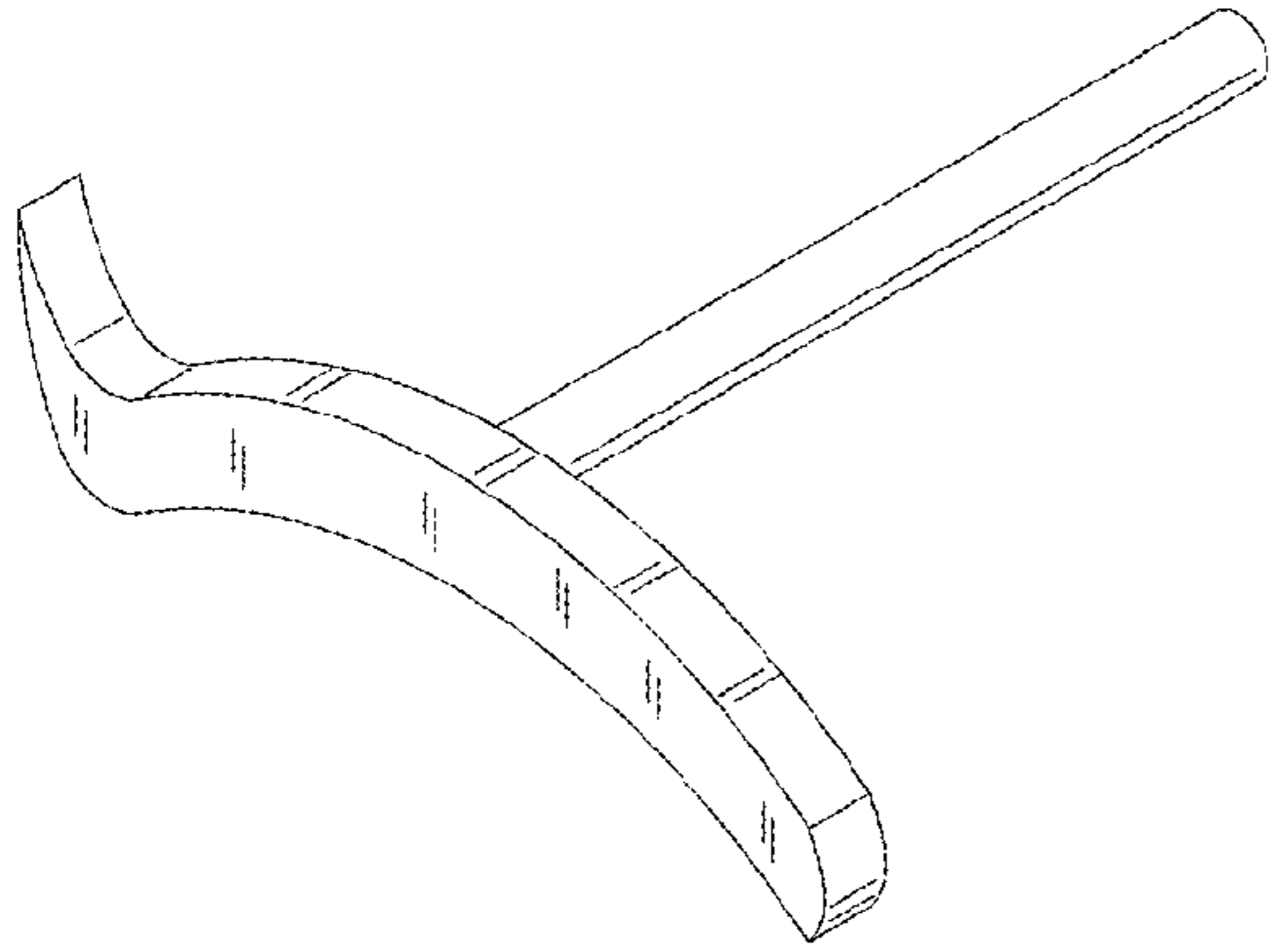


FIG. 1

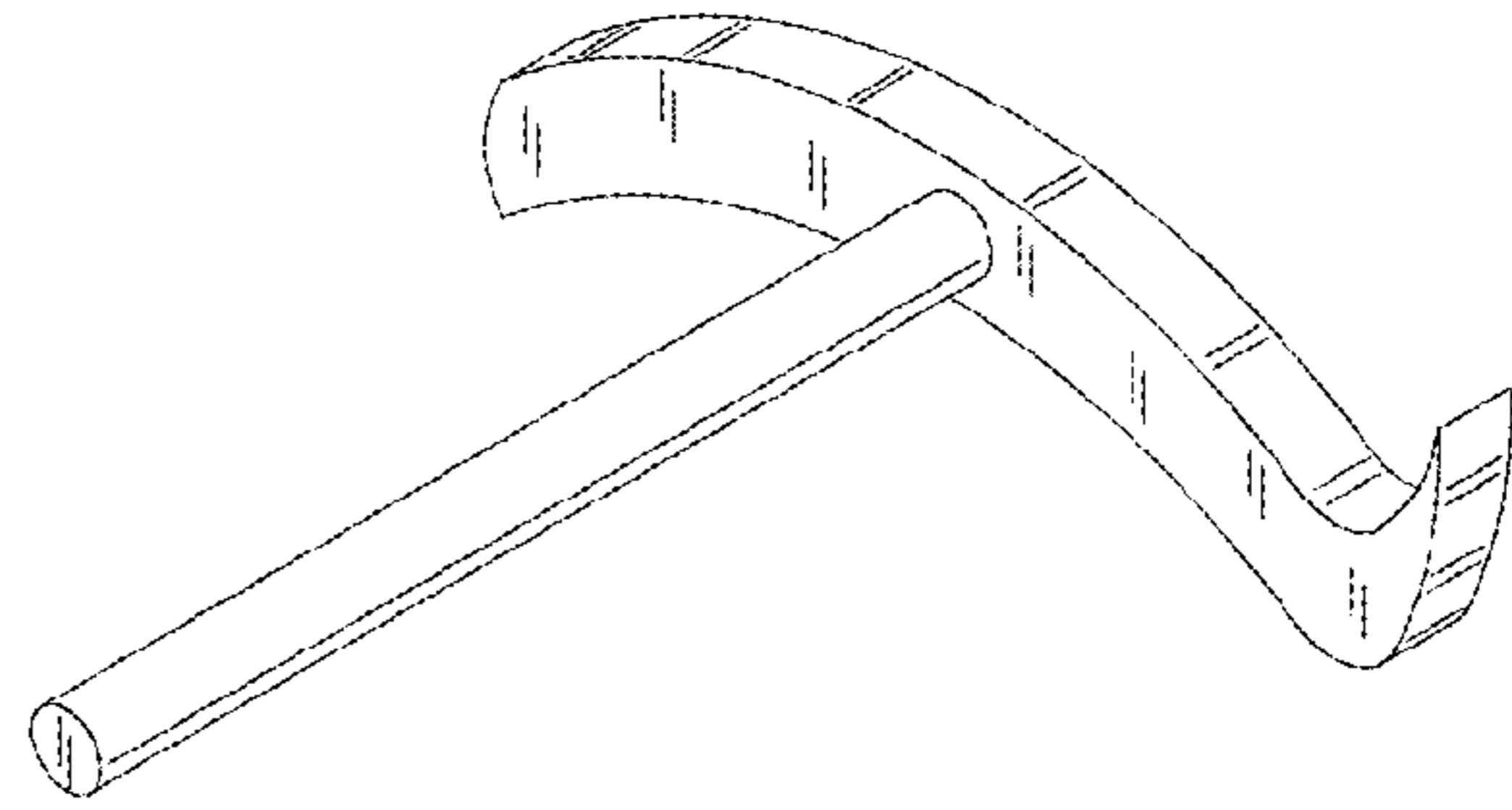


FIG. 2

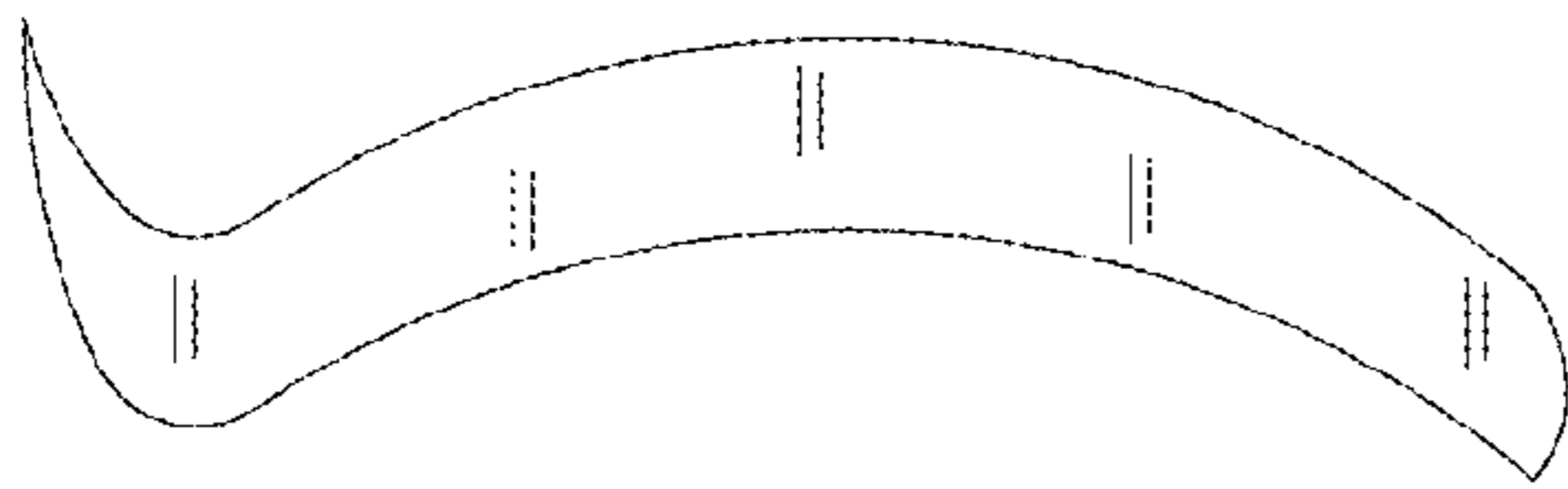


FIG. 3

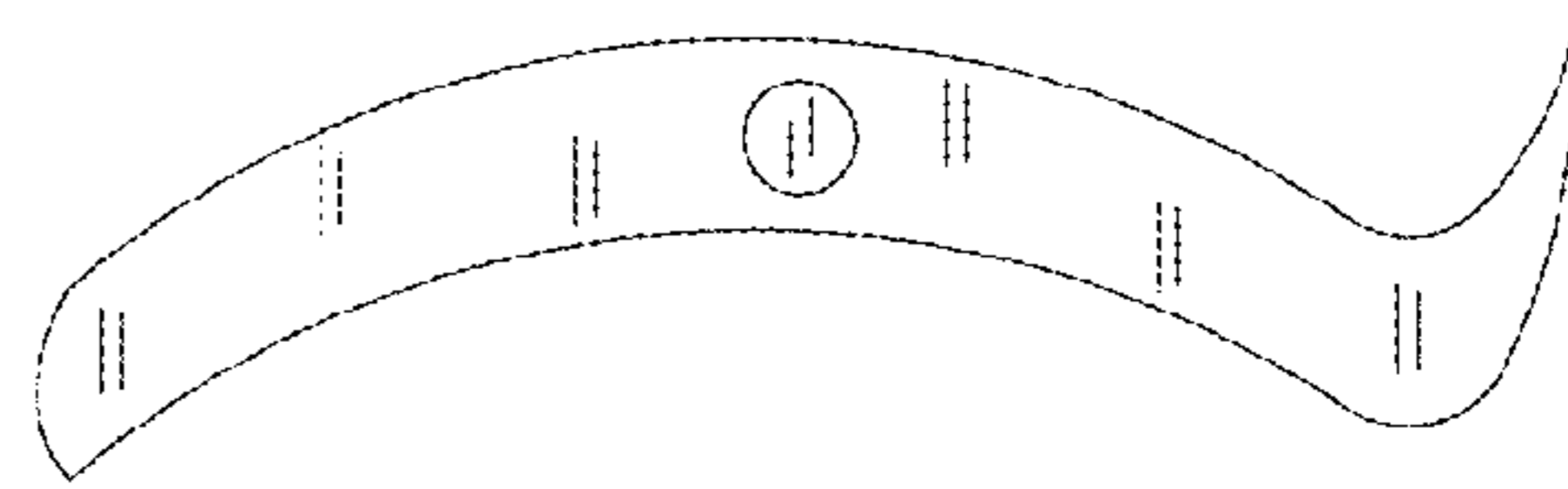


FIG. 4

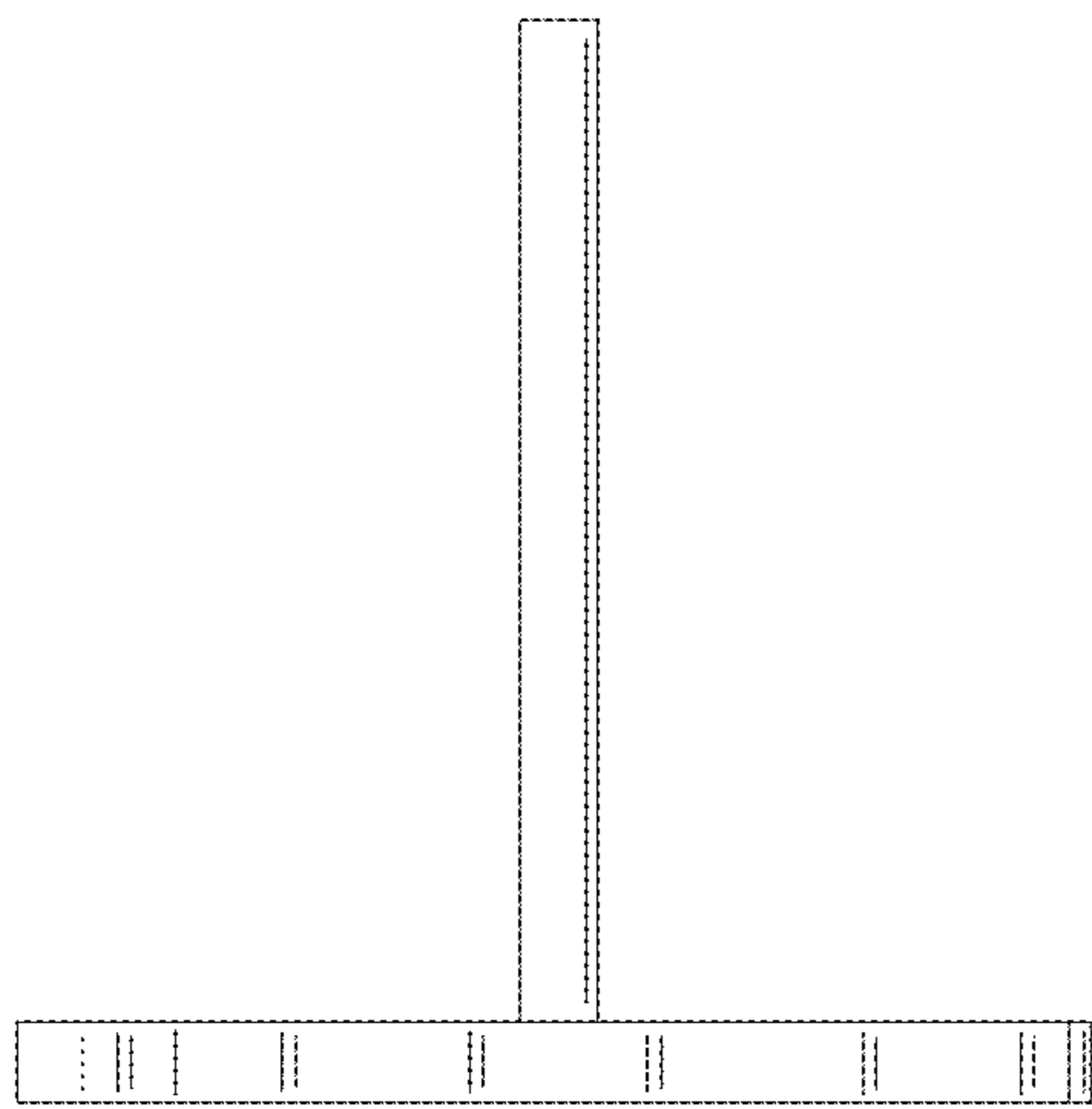


FIG. 5

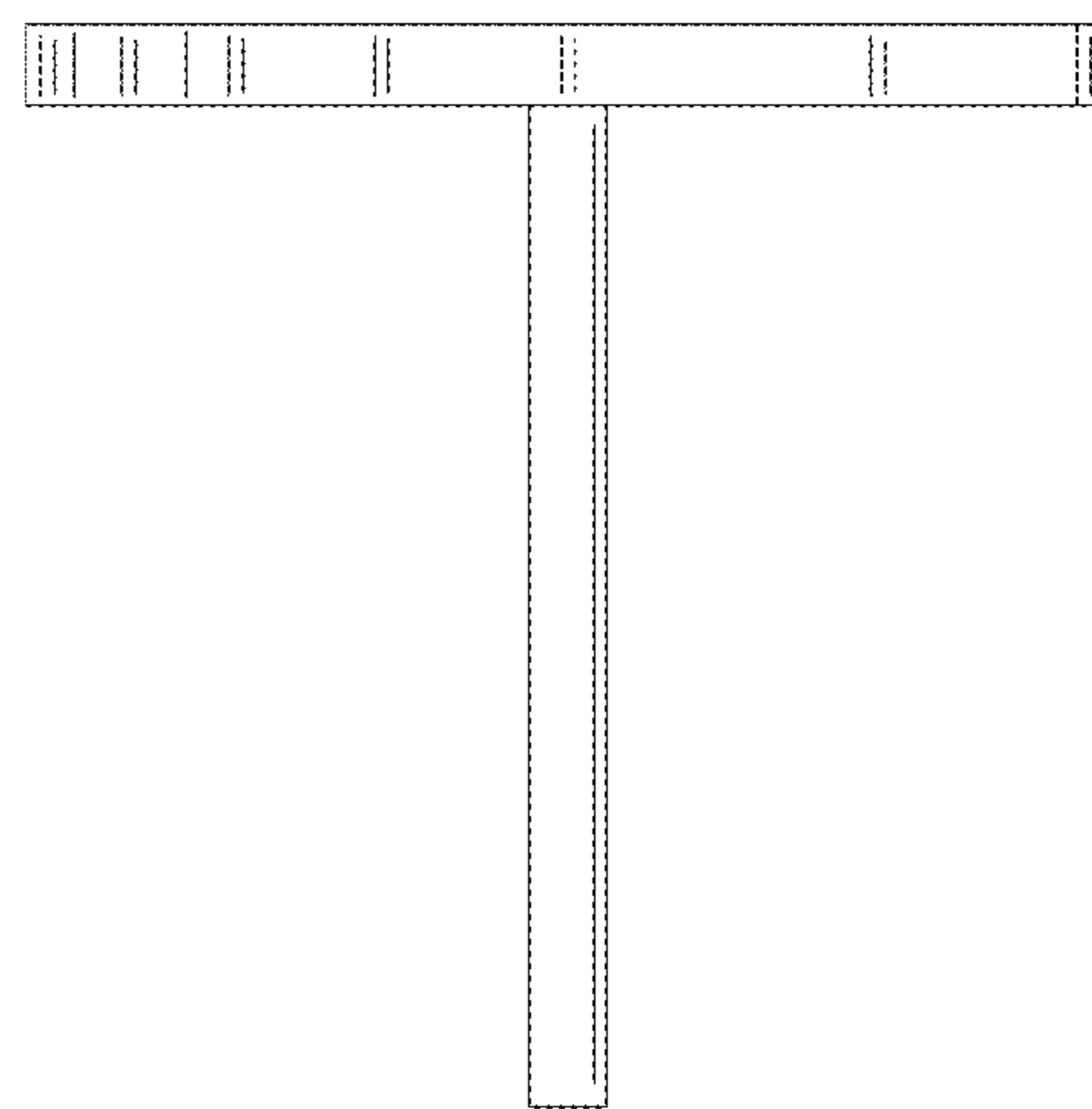


FIG. 6

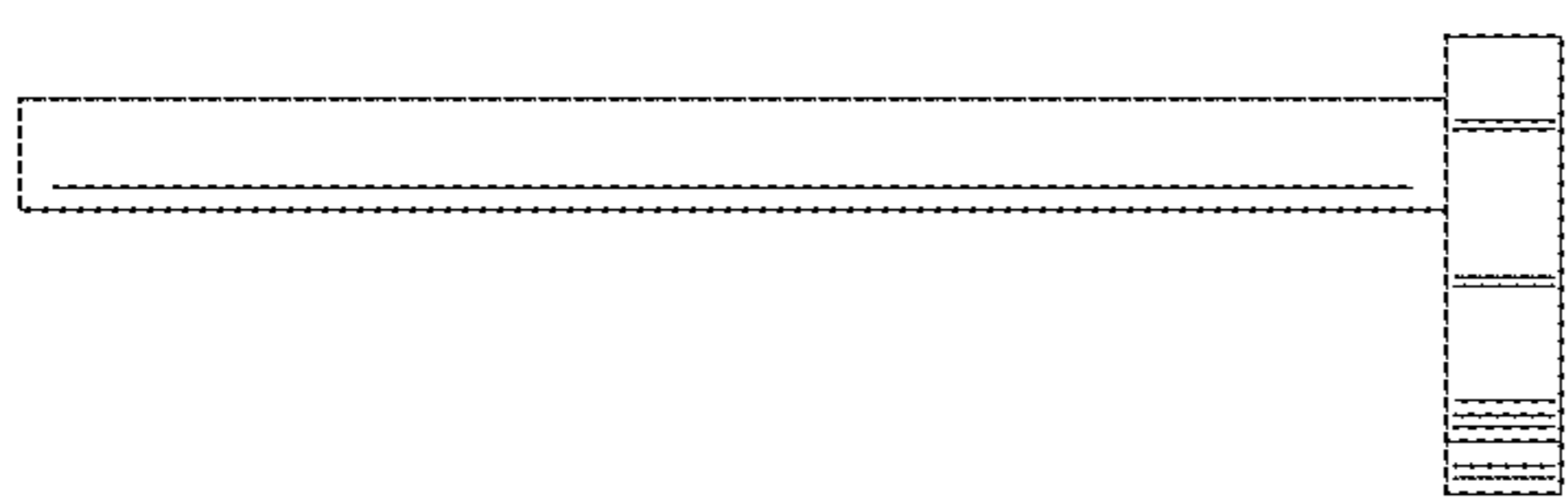


FIG. 7

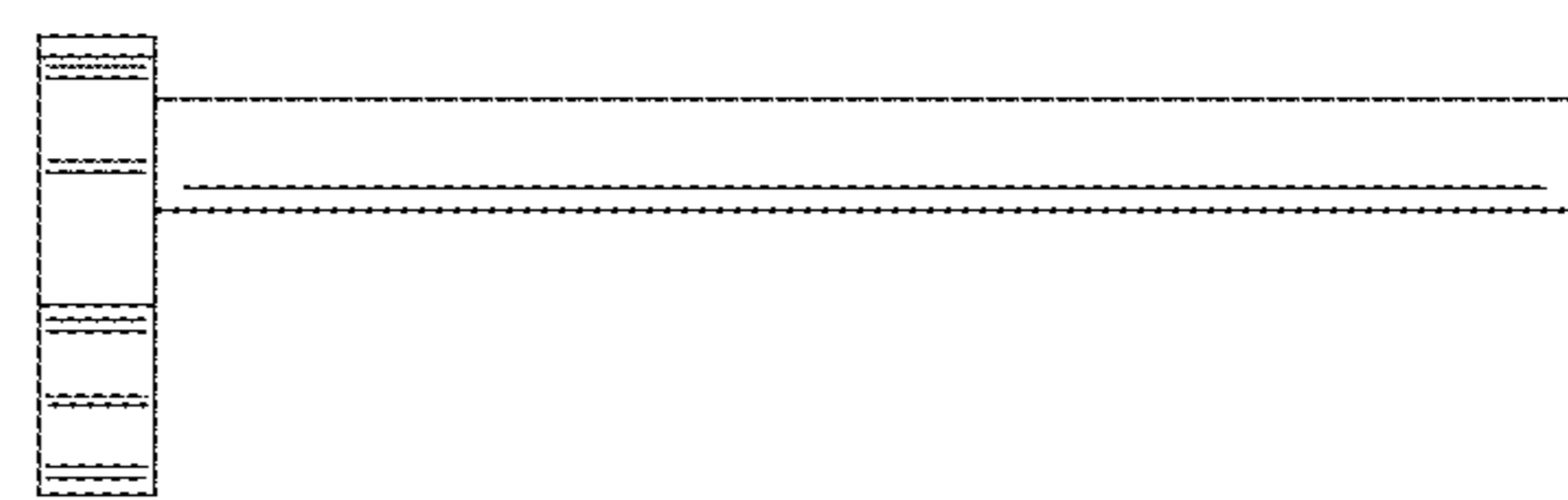


FIG. 8