



US00D776869S

(12) **United States Design Patent**
Heidl

(10) **Patent No.:** **US D776,869 S**

(45) **Date of Patent:** **** Jan. 17, 2017**

(54) **VAPORIZER**

(71) Applicant: **National Concessions Group Inc.,**
Denver, CO (US)

(72) Inventor: **Jeremy Heidl, Denver, CO (US)**

(**) Term: **15 Years**

(21) Appl. No.: **29/544,812**

(22) Filed: **Nov. 6, 2015**

(51) **LOC (10) Cl.** **27-02**

(52) **U.S. Cl.**
USPC **D27/163**

(58) **Field of Classification Search**
USPC D27/100, 101, 162, 163–167, 169, 170,
D27/171, 193, 194; D23/202; D13/103;
D19/115–123, 161–169
CPC A24F 47/008; A24F 47/002; A24F 15/12;
A24F 47/00; A61M 15/06
See application file for complete search history.

(56) **References Cited**

U.S. PATENT DOCUMENTS

D590,990 S	4/2009	Hon	
D590,991 S	4/2009	Hon	
D613,902 S	4/2010	Kaljura	
7,832,410 B2	11/2010	Hon	
D644,375 S *	8/2011	Zhou	D27/101
D652,987 S	1/2012	Kaljura	
D653,390 S	1/2012	Kaljura	
D653,803 S *	2/2012	Timmermans	D27/163
8,365,742 B2	2/2013	Hon	
8,375,957 B2	2/2013	Hon	
8,393,331 B2	3/2013	Hon	
D687,181 S	7/2013	Goch	
8,490,628 B2	7/2013	Hon	
8,511,318 B2	8/2013	Hon	
D695,450 S	12/2013	Benassayag et al.	
8,733,345 B2	5/2014	Siller	
D718,492 S *	11/2014	Albanese	D27/101
D720,497 S *	12/2014	Alima	D27/101

D720,881 S *	1/2015	Liu	D27/101
D720,883 S *	1/2015	Albanese	D27/101
D721,202 S *	1/2015	Liu	D27/101
D724,263 S *	3/2015	Malhi	D27/101
D727,566 S	4/2015	Xiao	
D728,154 S	4/2015	Lavanchy et al.	

(Continued)

FOREIGN PATENT DOCUMENTS

WO WO 2013/020220 2/2013

OTHER PUBLICATIONS

G Pro Herbal Vaporizer from Grenco Science. By Drake Dorm. dated 2014. found online [Aug. 30, 2016] <https://www.medicaljane.com/review/g-pro-herbal-vaporizer-from-grenco-science/>.*

(Continued)

Primary Examiner — Robert M Spear
Assistant Examiner — Marissa J Cash
(74) *Attorney, Agent, or Firm* — Sheridan Ross P.C.

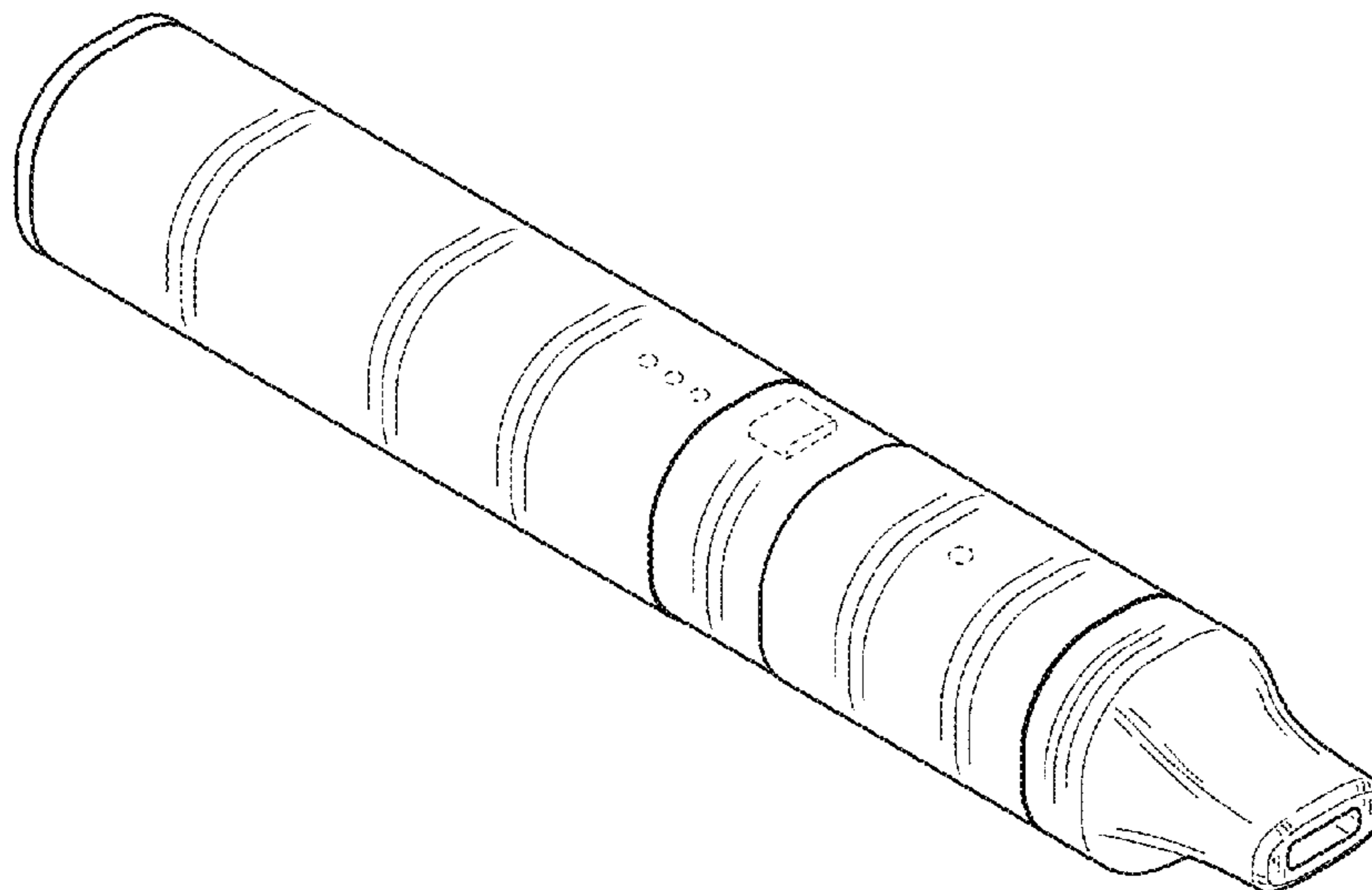
(57) **CLAIM**

The ornamental design for a vaporizer, as shown and described.

DESCRIPTION

FIG. 1 is a front perspective view of a vaporizer; FIG. 2 is a front elevation view thereof; FIG. 3 is a rear elevation view thereof; FIG. 4 is a right elevation view thereof; FIG. 5 is a left elevation view thereof; FIG. 6 is a top plan view thereof; and, FIG. 7 is a bottom plan view thereof. The claim is understood to include the surface beneath the environmental elements shown in broken line. The broken lines depict environmental subject matter only and form no part of the claim.

1 Claim, 4 Drawing Sheets



(56)

References Cited

U.S. PATENT DOCUMENTS

D728,155 S * 4/2015 Liu D27/101
 D732,239 S * 6/2015 Chen D27/101
 D748,853 S * 2/2016 Seibel D27/101
 D752,278 S * 3/2016 Verleur D13/103
 D757,352 S * 5/2016 Bagai D27/101
 D758,651 S * 6/2016 Wu D27/101
 D759,303 S * 6/2016 Afridi D27/101
 D760,948 S * 7/2016 Eksouzian D27/101
 2005/0016550 A1 1/2005 Katase
 2007/0256697 A1 11/2007 Yang
 2008/0092912 A1 4/2008 Robinson et al.
 2010/0031968 A1 2/2010 Sheikh et al.
 2010/0200006 A1 8/2010 Robinson et al.
 2011/0036346 A1 2/2011 Cohen et al.
 2012/0060853 A1 3/2012 Robinson et al.
 2012/0067358 A1 3/2012 Rasch
 2012/0090628 A1 4/2012 Turne et al.
 2013/0068239 A1* 3/2013 Youn A24F 47/008
 131/273
 2013/0125906 A1 5/2013 Hon
 2013/0126464 A1 5/2013 Manzke et al.
 2013/0213420 A1 8/2013 Hon
 2013/0220315 A1 8/2013 Conley et al.
 2013/0255702 A1 10/2013 Griffith, Jr. et al.
 2013/0284190 A1 10/2013 Scatterday et al.
 2013/0284191 A1 10/2013 Scatterday et al.
 2013/0284194 A1 10/2013 Newton

2013/0298905 A1* 11/2013 Levin A24F 47/008
 128/202.21
 2013/0333711 A1* 12/2013 Liu A24F 47/008
 131/329
 2014/0034070 A1 2/2014 Schennum
 2014/0041655 A1* 2/2014 Barron A61M 11/042
 128/202.21
 2014/0060528 A1 3/2014 Liu
 2014/0102464 A1 4/2014 von Borstel et al.
 2014/0123990 A1* 5/2014 Timmermans A24F 47/008
 131/328
 2014/0261499 A1 9/2014 Hon
 2015/0034104 A1* 2/2015 Zhou A24F 47/008
 131/329
 2015/0090253 A1* 4/2015 Farrow A24F 47/008
 128/200.14
 2015/0150305 A1* 6/2015 Shenkal A24F 47/008
 131/329

OTHER PUBLICATIONS

Vax E-cigarette on DHGate. dated 2016. found online [Aug. 30, 2016] <http://www.dhgate.com/product/fashion-vax-e-cigarette-kit-dry-herb-vaporizer/254624154.html>.
 U.S. Appl. No. 29/470,937, filed Oct. 25, 2013, Morgan et al.
 Restriction Requirement for U.S. Appl. No. 29/470,937, mailed Sep. 28, 2015, 6 pages.

* cited by examiner

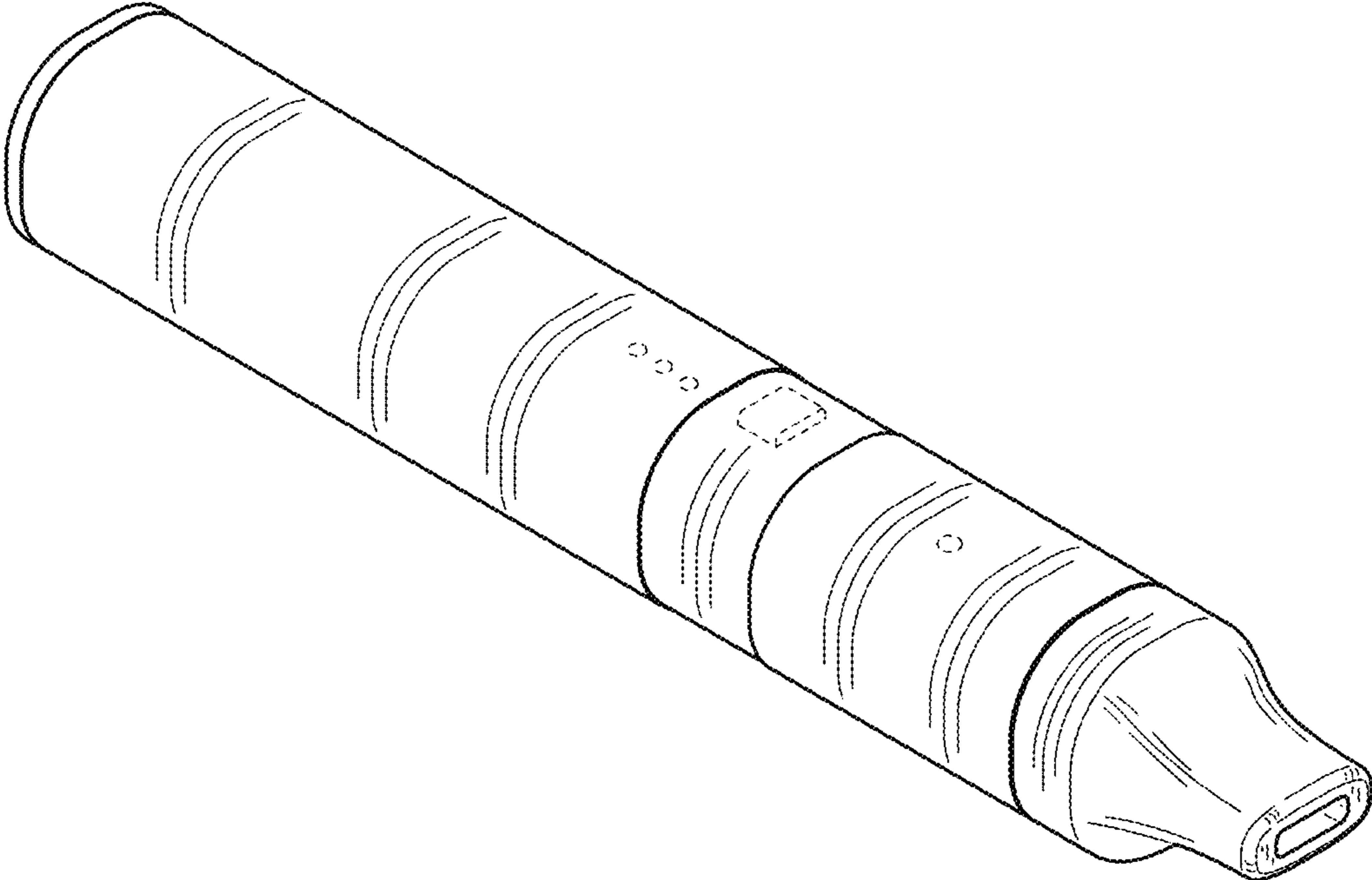


FIG.1

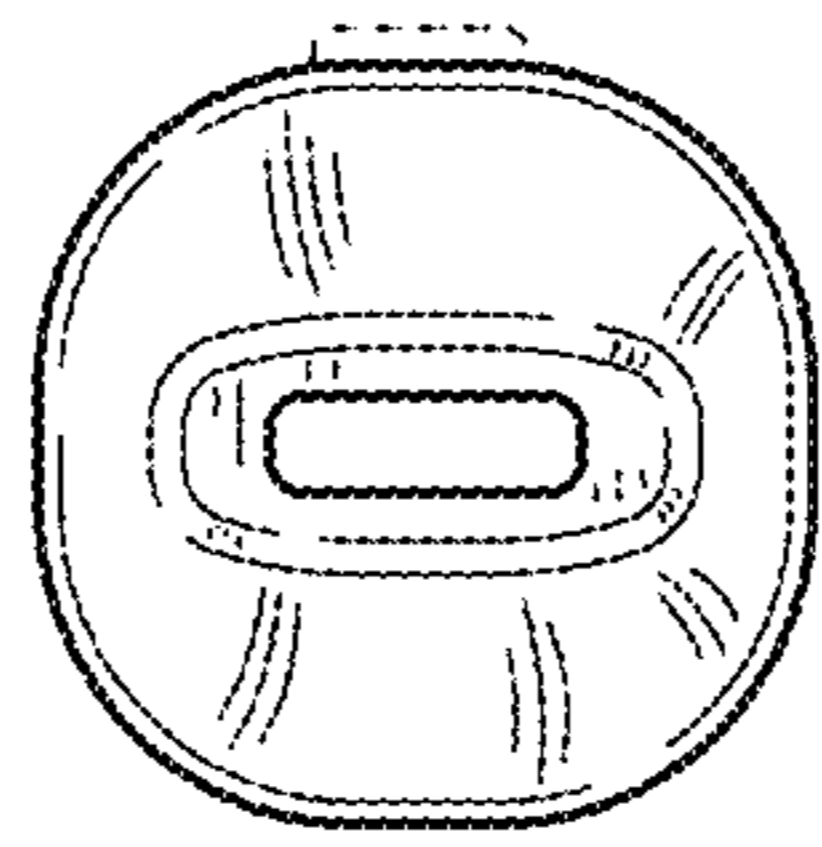


FIG. 2

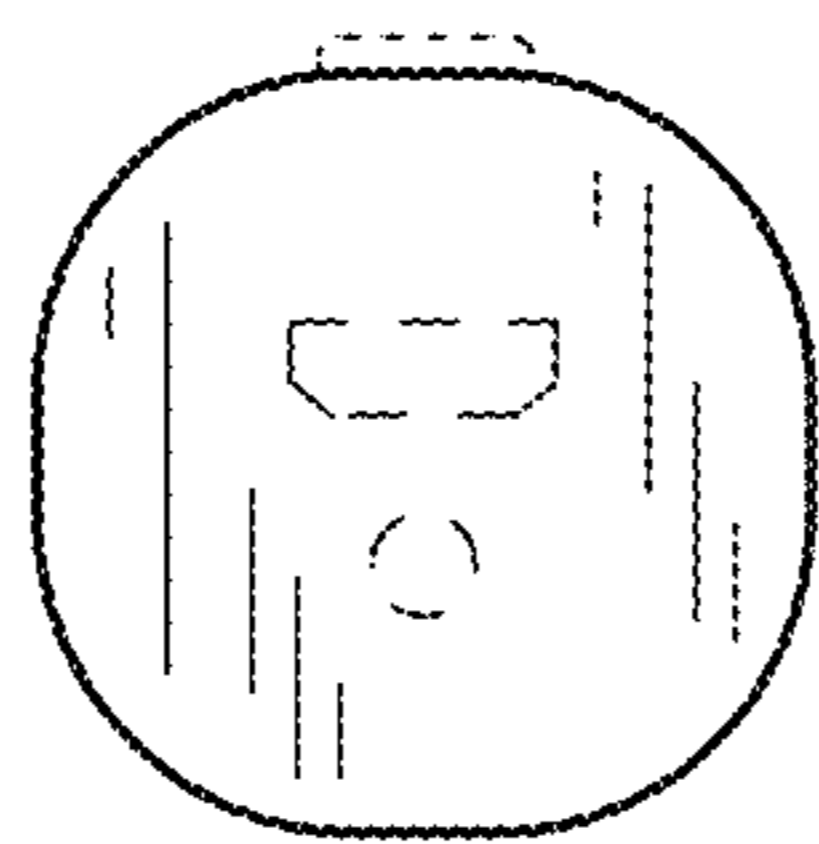


FIG. 3

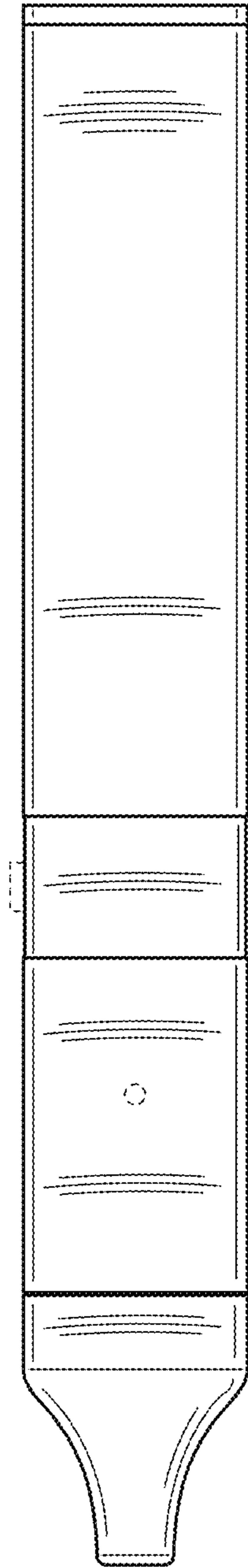


FIG. 4

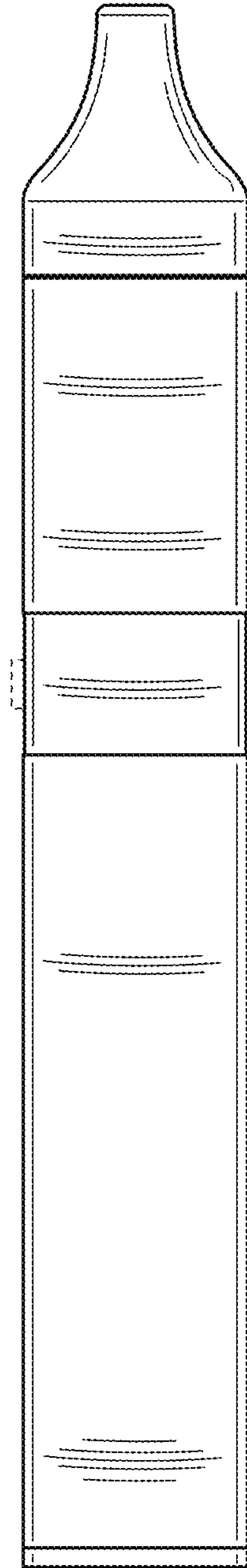


FIG. 5

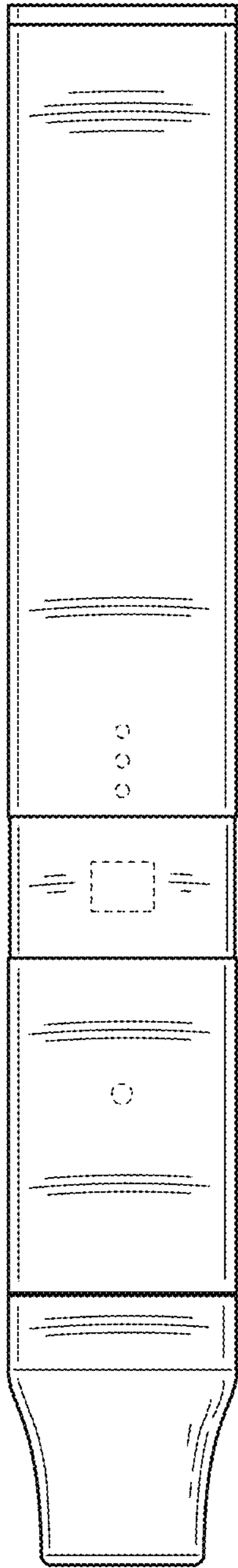


FIG. 6

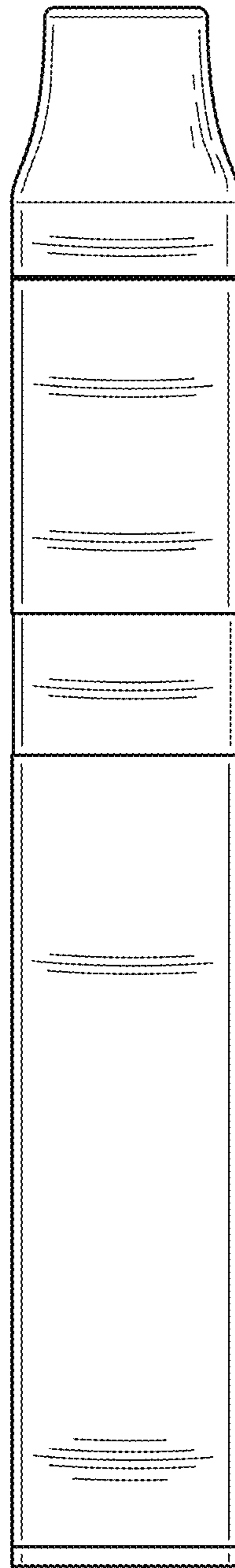


FIG. 7