



US00D776868S

(12) **United States Design Patent** (10) **Patent No.:** **US D776,868 S**  
**Rado** (45) **Date of Patent:** **\*\* Jan. 17, 2017**

- (54) **PERSONAL VAPORIZER**
- (71) Applicant: **Lubby Holdings, LLC**, Torrance, CA (US)
- (72) Inventor: **J. Christian Rado**, Torrance, CA (US)
- (73) Assignee: **Lubby Holdings, LLC**, Torrance, CA (US)

(\*\*) Term: **15 Years**

(21) Appl. No.: **29/541,893**

(22) Filed: **Oct. 8, 2015**

(51) **LOC (10) Cl.** ..... **27-02**

(52) **U.S. Cl.**  
USPC ..... **D27/162**

(58) **Field of Classification Search**  
USPC ..... D27/100, 101, 162, 163–167, 169, 170,  
D27/171, 193, 194; D23/202; D13/103  
CPC ..... A24F 47/008; A24F 47/002; A24F 15/12;  
A24F 47/00

See application file for complete search history.

(56) **References Cited**

U.S. PATENT DOCUMENTS

5,687,745	A *	11/1997	Yalcin	.....	B01D 53/14 131/173
D485,639	S *	1/2004	Stronski	.....	D27/170
D655,036	S *	2/2012	Zhou	.....	D27/101
D666,355	S *	8/2012	Alelov	.....	D27/101
D683,897	S *	6/2013	Liu	.....	D27/170
D684,311	S *	6/2013	Liu	.....	D27/101
D695,450	S *	12/2013	Benassayag	.....	D24/110.5
D720,095	S *	12/2014	Alima	.....	D27/101
D720,496	S *	12/2014	Alima	.....	D27/101
D720,499	S *	12/2014	Alima	.....	D27/167
D722,956	S *	2/2015	Alima	.....	D13/103
D724,264	S *	3/2015	Chambers	.....	D27/101

D724,780	S *	3/2015	Wu	.....	D27/101
D751,249	S *	3/2016	Chen	.....	D27/101
2014/0202477	A1 *	7/2014	Qi	.....	A24F 47/008 131/329
2014/0355969	A1 *	12/2014	Stern	.....	A24F 47/008 392/390
2015/0144148	A1 *	5/2015	Chen	.....	A24F 47/008 131/329
2015/0257446	A1 *	9/2015	Chung	.....	A24F 47/008 131/329

(Continued)

*Primary Examiner* — Robert M Spear

*Assistant Examiner* — Marissa J Cash

(74) *Attorney, Agent, or Firm* — Klein, O’Neill & Singh, LLP

(57) **CLAIM**

The ornamental design for a personal vaporizer, as shown and described.

**DESCRIPTION**

FIG. 1 is a perspective view of a personal vaporizer, in accordance with my new design, shown with a battery module attached;

FIG. 2 is a perspective view of the personal vaporizer shown without the battery module;

FIG. 3 is a front elevational view of the personal vaporizer shown in FIG. 2, the rear elevational view being the mirror image thereof;

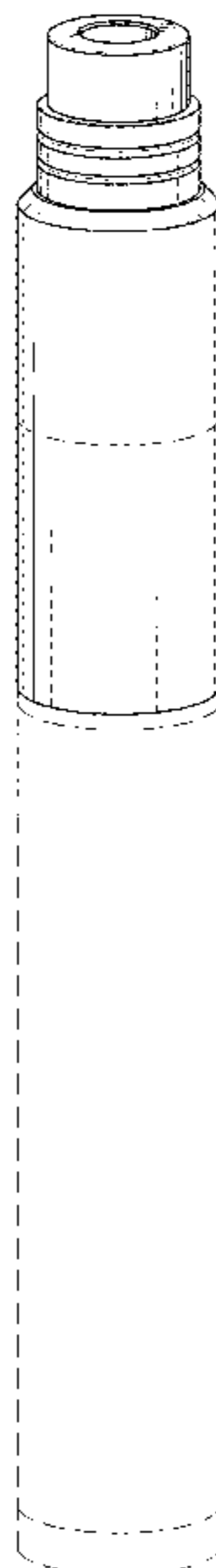
FIG. 4 is a side elevational view of the personal vaporizer shown in FIG. 2, taken from the right side of FIG. 2, the left side elevational view being the mirror image thereof;

FIG. 5 is a top plan view of the personal vaporizer shown in FIG. 2; and,

FIG. 6 is a bottom plan view of the personal vaporizer shown in FIG. 2.

The broken lines illustrate environmental structure that forms no part of the claimed design.

**1 Claim, 3 Drawing Sheets**



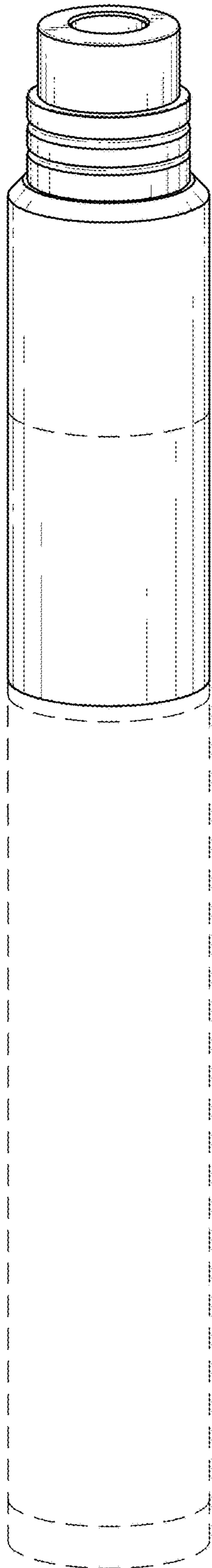
(56)

**References Cited**

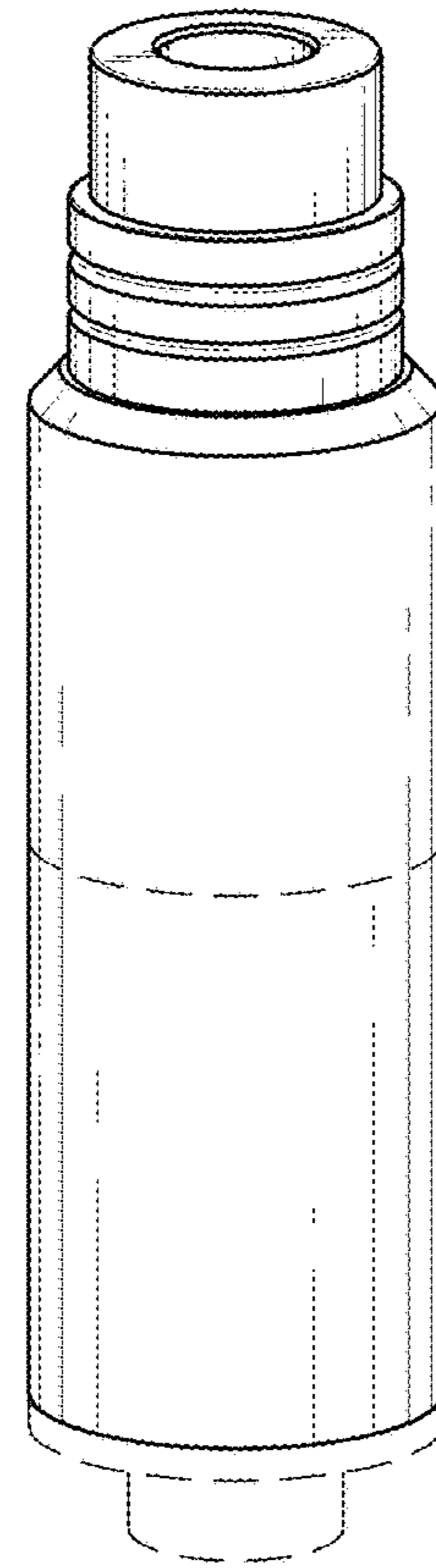
U.S. PATENT DOCUMENTS

2015/0296884	A1 *	10/2015	Liu .....	A24F 47/008 131/329
2015/0296889	A1 *	10/2015	Liu .....	A24F 47/008 131/329
2015/0335072	A1 *	11/2015	Giller .....	A24F 47/008 131/328
2015/0335073	A1 *	11/2015	Li .....	A24F 47/008 131/329
2016/0073692	A1 *	3/2016	Alarcon .....	A24F 47/008 131/329
2016/0073694	A1 *	3/2016	Liu .....	A24F 47/008 131/329
2016/0113327	A1 *	4/2016	Wu .....	H05B 3/06 131/329
2016/0144458	A1 *	5/2016	Boldrini .....	B23K 31/02 228/176

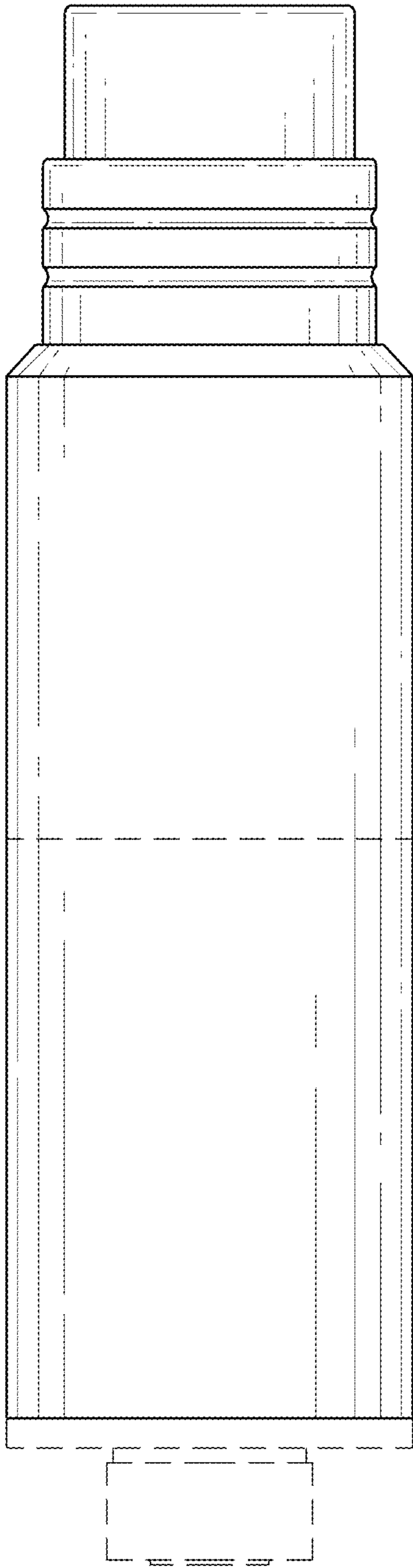
\* cited by examiner



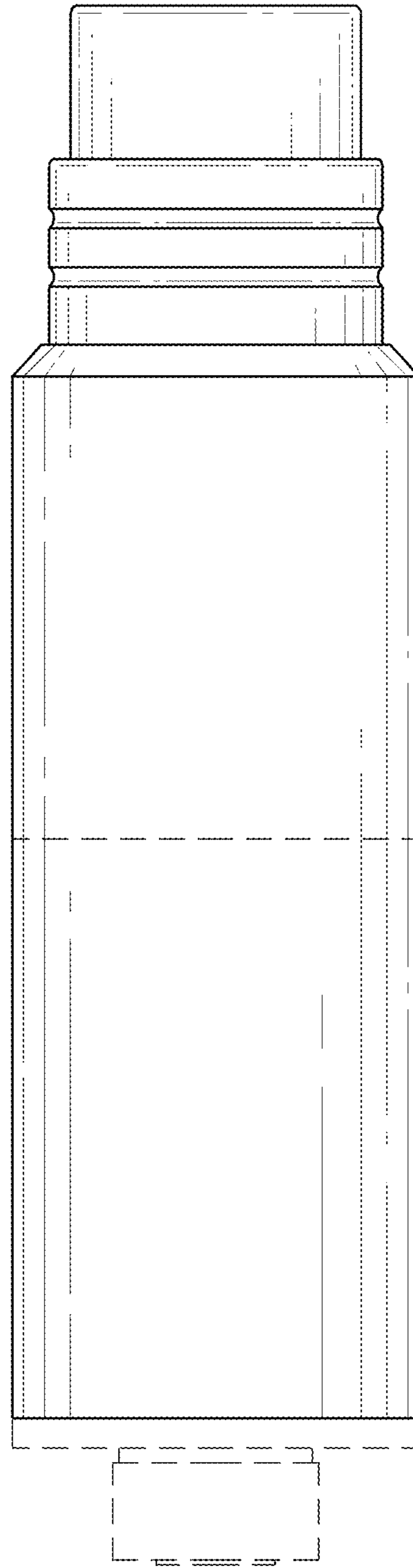
*FIG. 1*



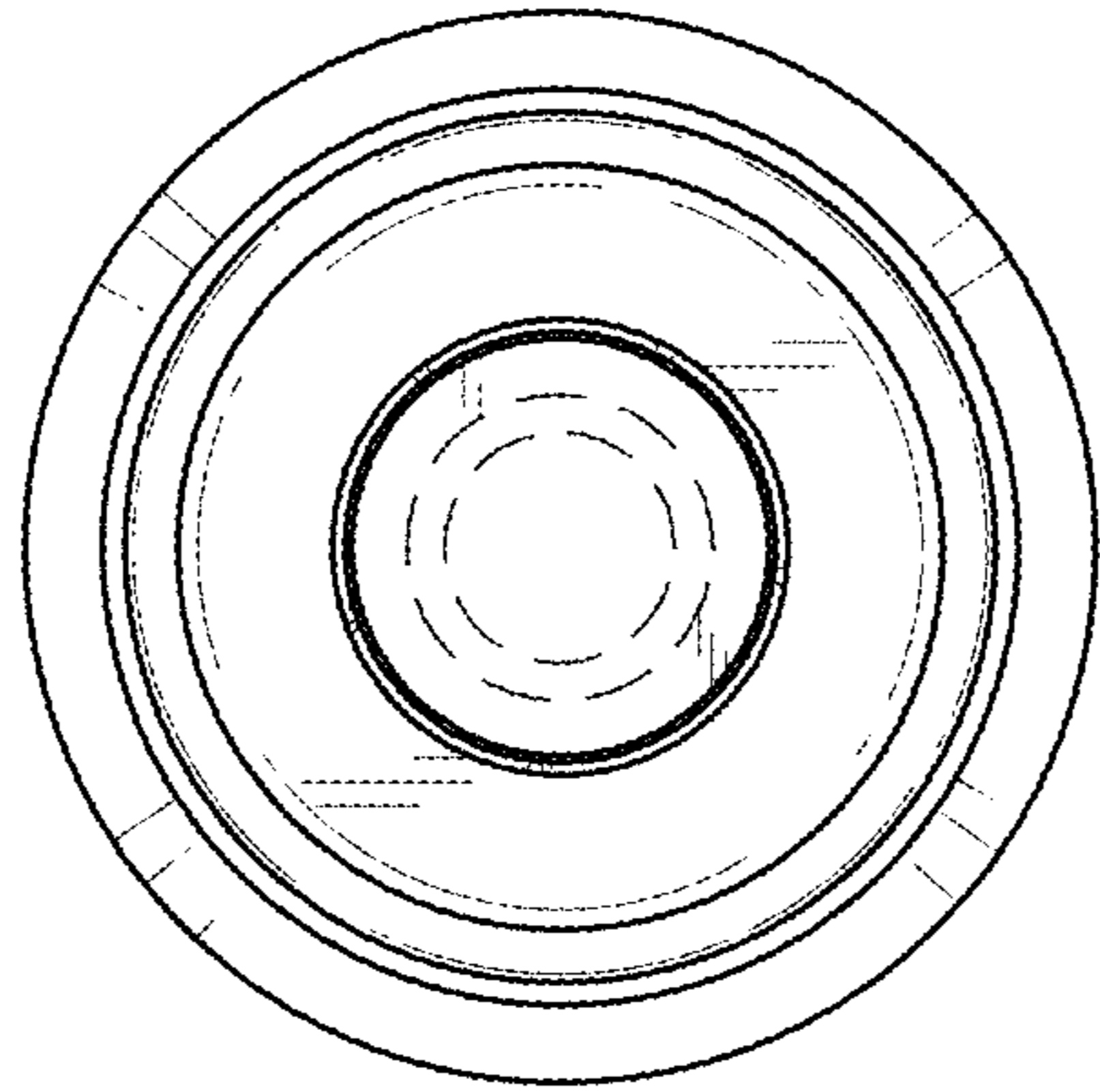
*FIG. 2*



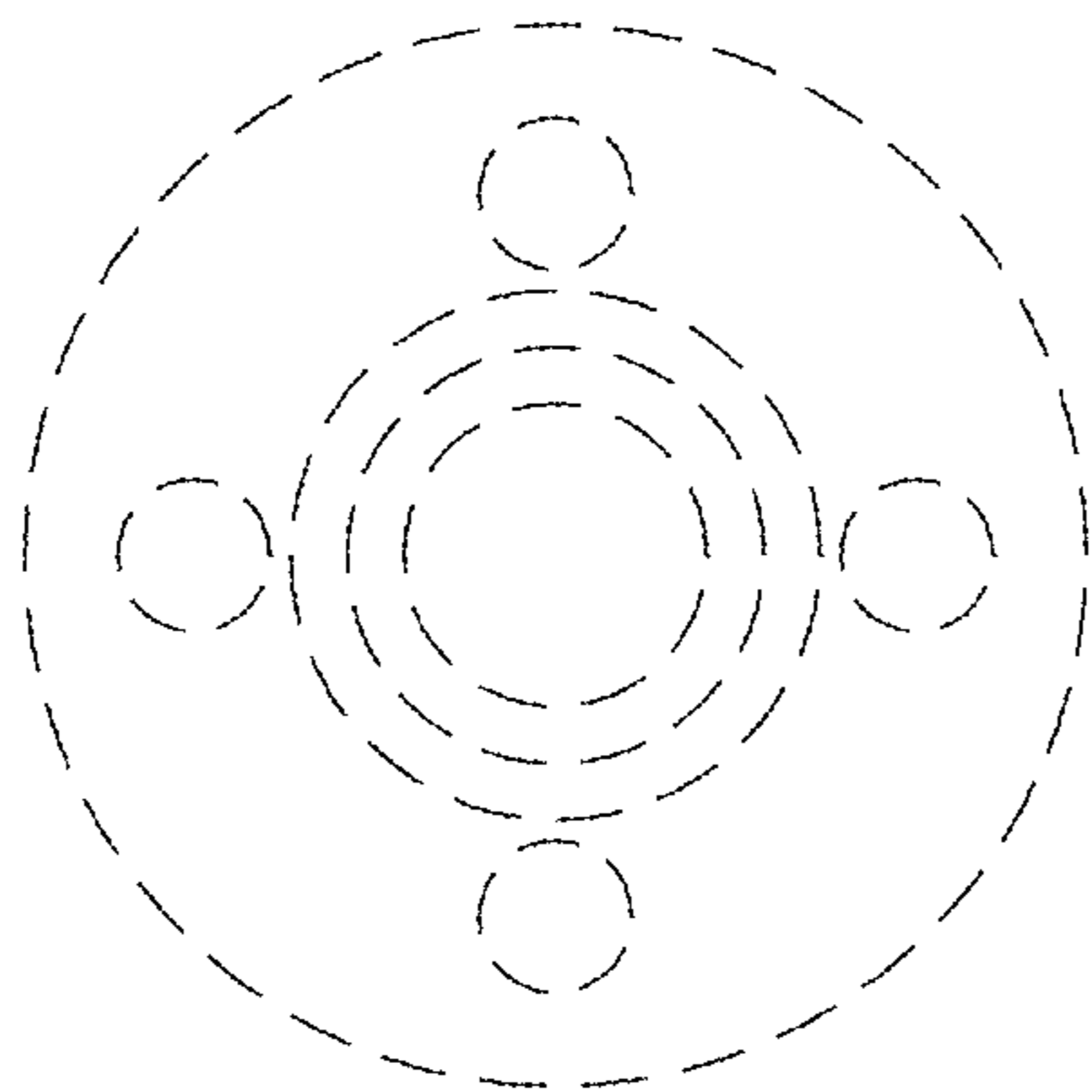
*FIG. 3*



*FIG. 4*



*FIG. 5*



*FIG. 6*