



US00D776865S

(12) **United States Design Patent** (10) **Patent No.:** **US D776,865 S**
Svensson et al. (45) **Date of Patent:** **** Jan. 17, 2017**

(54) **VEHICLE FOG LAMP BEZEL**

OTHER PUBLICATIONS

(71) Applicant: **Ford Global Technologies, LLC**,
Dearborn, MI (US)
(72) Inventors: **Christopher Svensson**, Chelmsford
(GB); **Craig S. Metros**, Bloomfield, MI
(US); **Darrell Paul Behmer**, Novi, MI
(US); **Eric Stoddard**, Birmingham, MI
(US)
(73) Assignee: **Ford Global Technologies, LLC**,
Dearborn, MI (US)

Josh Sadlier, 2017 Ford Fusion Teased in New Photos, <http://www.autotrader.com/car-news/2017-ford-fusion-based-in-new-photos-238624> Apr. 2015.
Ciprian Florea, 2017 Ford Fusion St, <http://www.topspeed.com/cars/ford/2017-ford-fusion-st-ar171128.html> Sep. 6, 2015.
Michael Gauthier, 2017 Ford Fusion Facelift Spied in Michigan, <http://www.motor1.com/spy/59710/2017-ford-fusion-facelift-spied-in-michigan> Nov. 19, 2015.

(**) Term: **15 Years**

* cited by examiner

(21) Appl. No.: **29/549,415**

Primary Examiner — Marcus Jackson

(22) Filed: **Dec. 22, 2015**

(74) *Attorney, Agent, or Firm* — Damian Porcari

(51) **LOC (10) Cl.** **26-99**

(52) **U.S. Cl.**
USPC **D26/139**

(58) **Field of Classification Search**
USPC D26/28–36, 139; 362/80–83, 267–269,
362/459–468, 475–478, 485–487
CPC B60Q 1/04; B60Q 1/26; F21S 48/00;
F21S 48/10; F21V 21/04; F21V 37/002
See application file for complete search history.

(57) **CLAIM**

The ornamental design for a vehicle fog lamp bezel, as shown and described.

(56) **References Cited**

DESCRIPTION

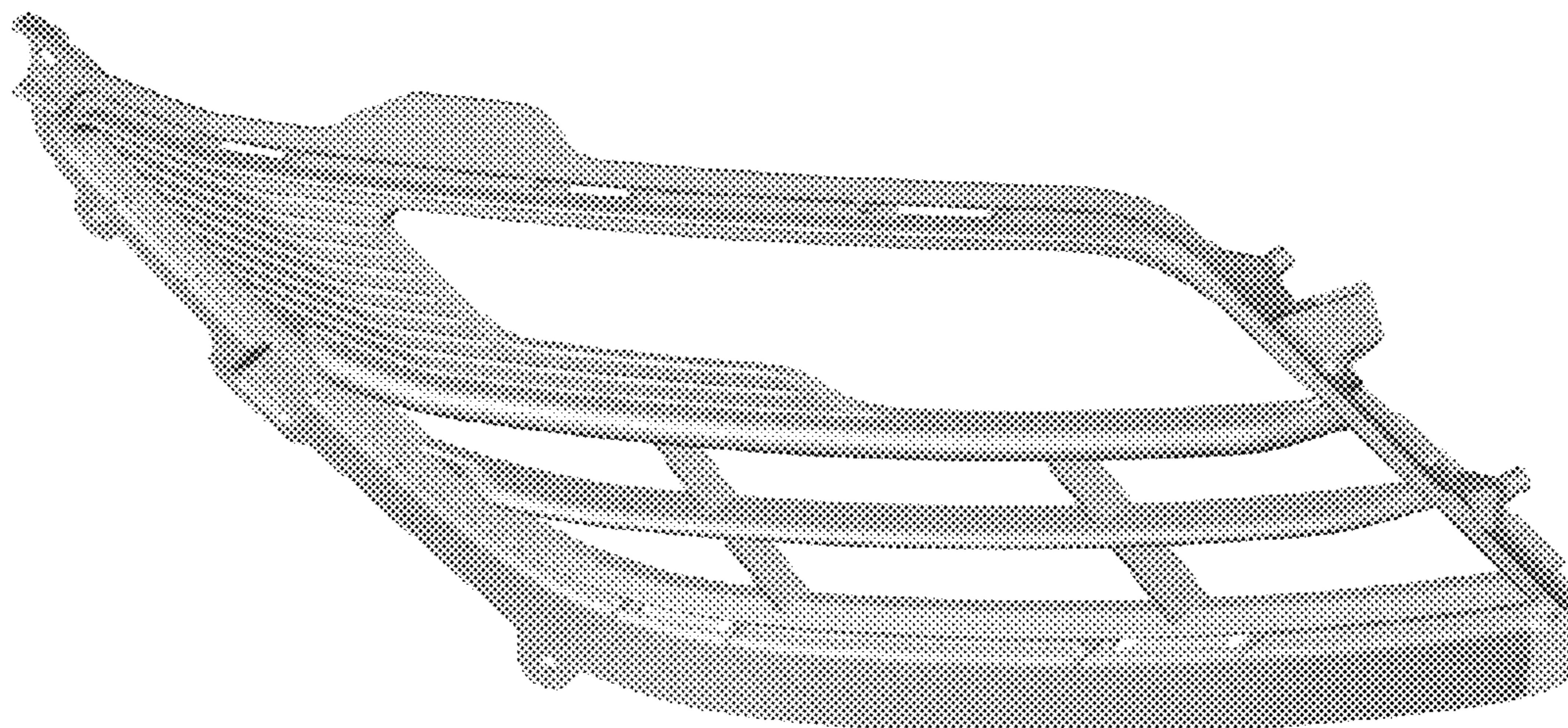
U.S. PATENT DOCUMENTS

D302,335 S *	7/1989	Smith	D26/139
D421,817 S *	3/2000	Tucker	D26/139
D571,500 S *	6/2008	Lin	D26/139
D595,895 S *	7/2009	Lamm	D26/139
D604,893 S *	11/2009	Woolley	D26/139
D653,389 S *	1/2012	Xu	D26/139
D668,381 S	10/2012	Hamilton et al.		

FIG. 1 is a top front perspective view of the first embodiment of a vehicle fog lamp bezel, showing our new design; FIG. 2 is a bottom front perspective view thereof; FIG. 3 is a top rear perspective view thereof; FIG. 4 is a front elevational view thereof; FIG. 5 is a rear elevational view thereof; FIG. 6 is a left side elevational view thereof; FIG. 7 is a right side elevational view thereof; FIG. 8 is a top plan view thereof; and, FIG. 9 is a bottom plan view thereof.

The second embodiment of the vehicle fog lamp bezel is a mirror image of the first embodiment disclosed in FIGS. 1 through 9 and is not shown.

1 Claim, 9 Drawing Sheets



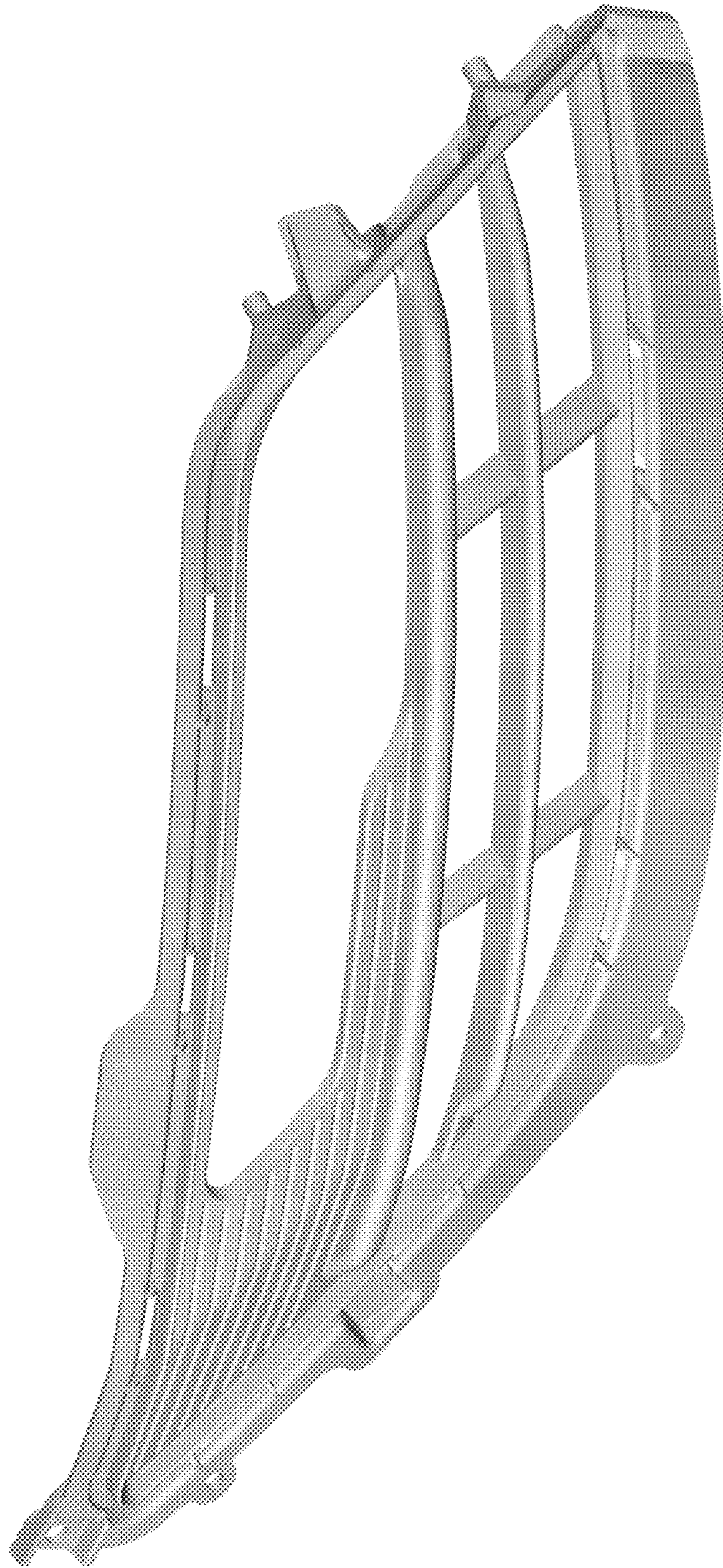


Figure 1

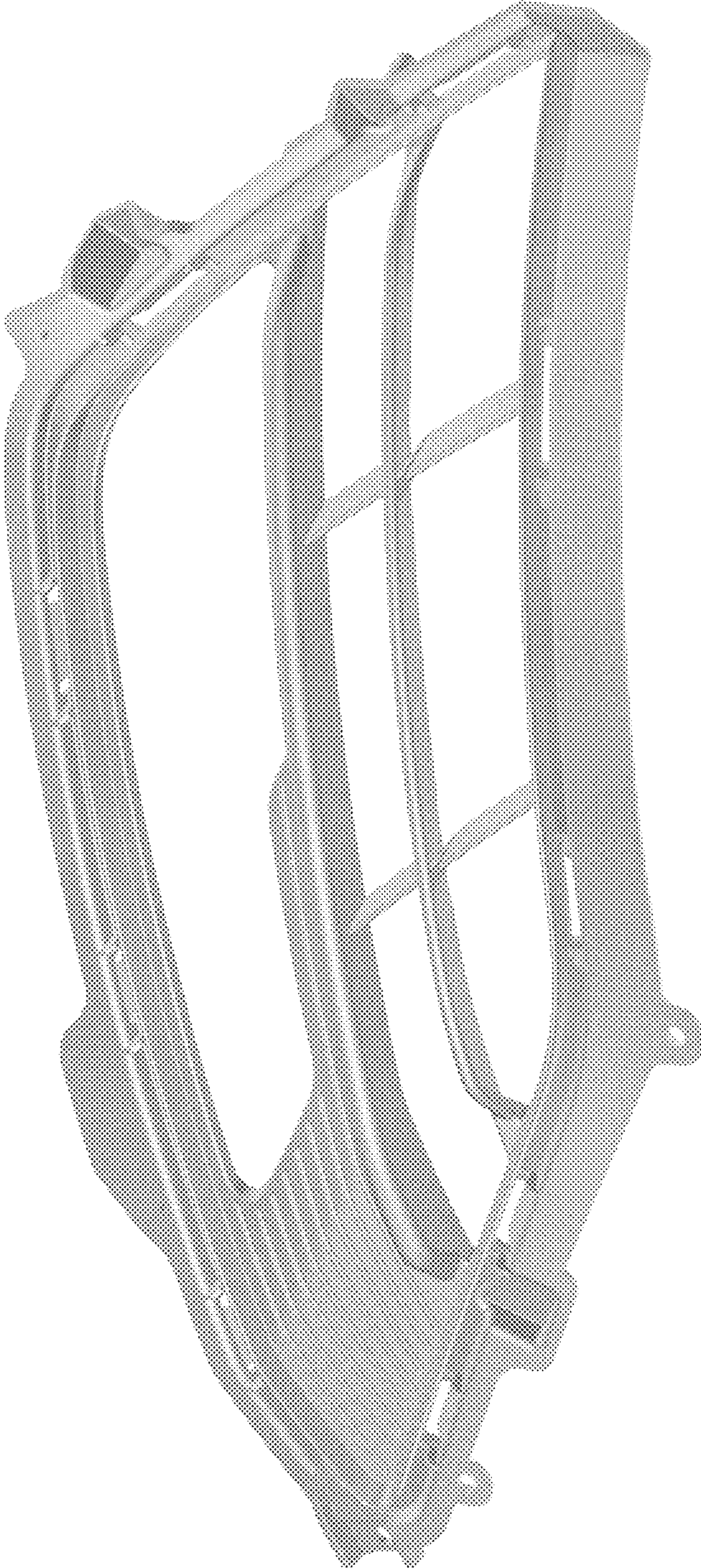


Figure 2

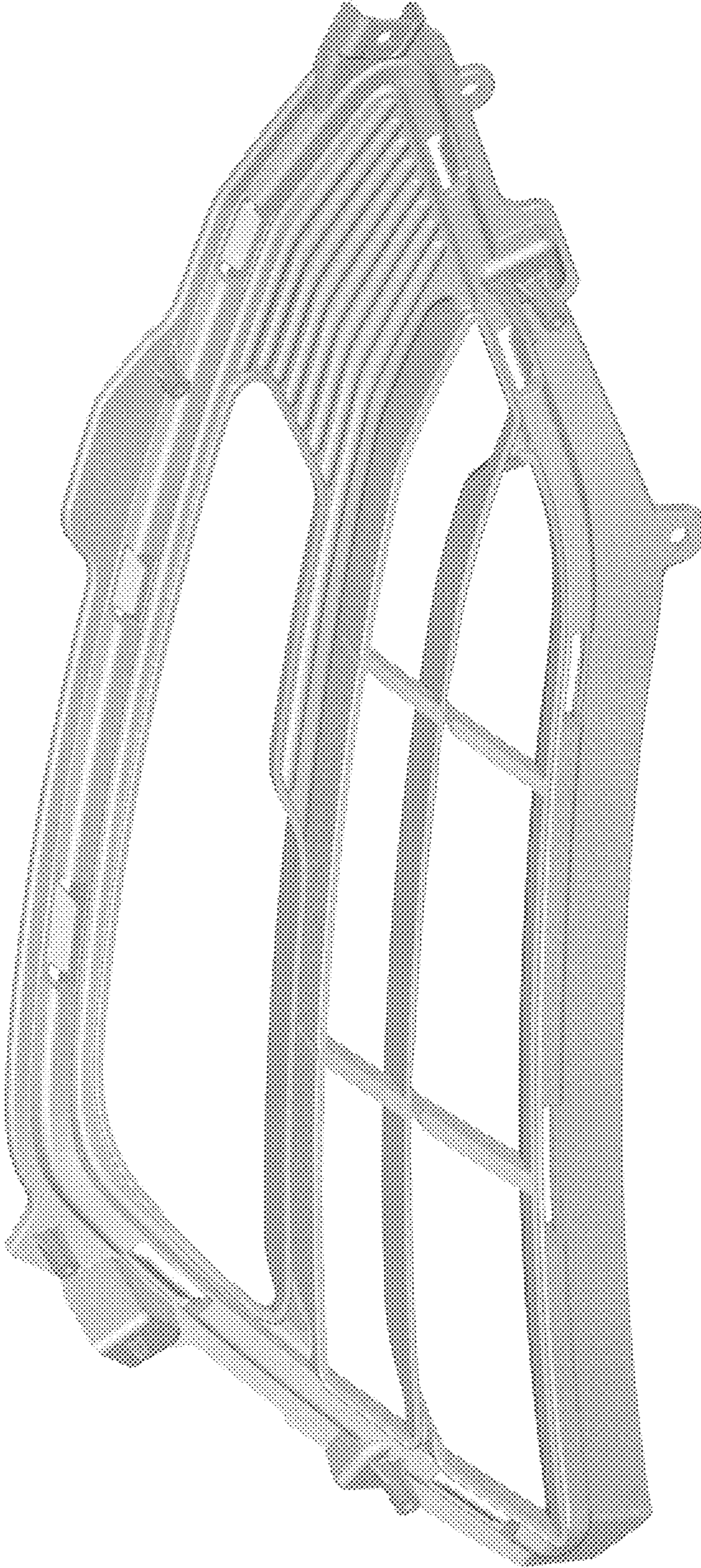


Figure 3

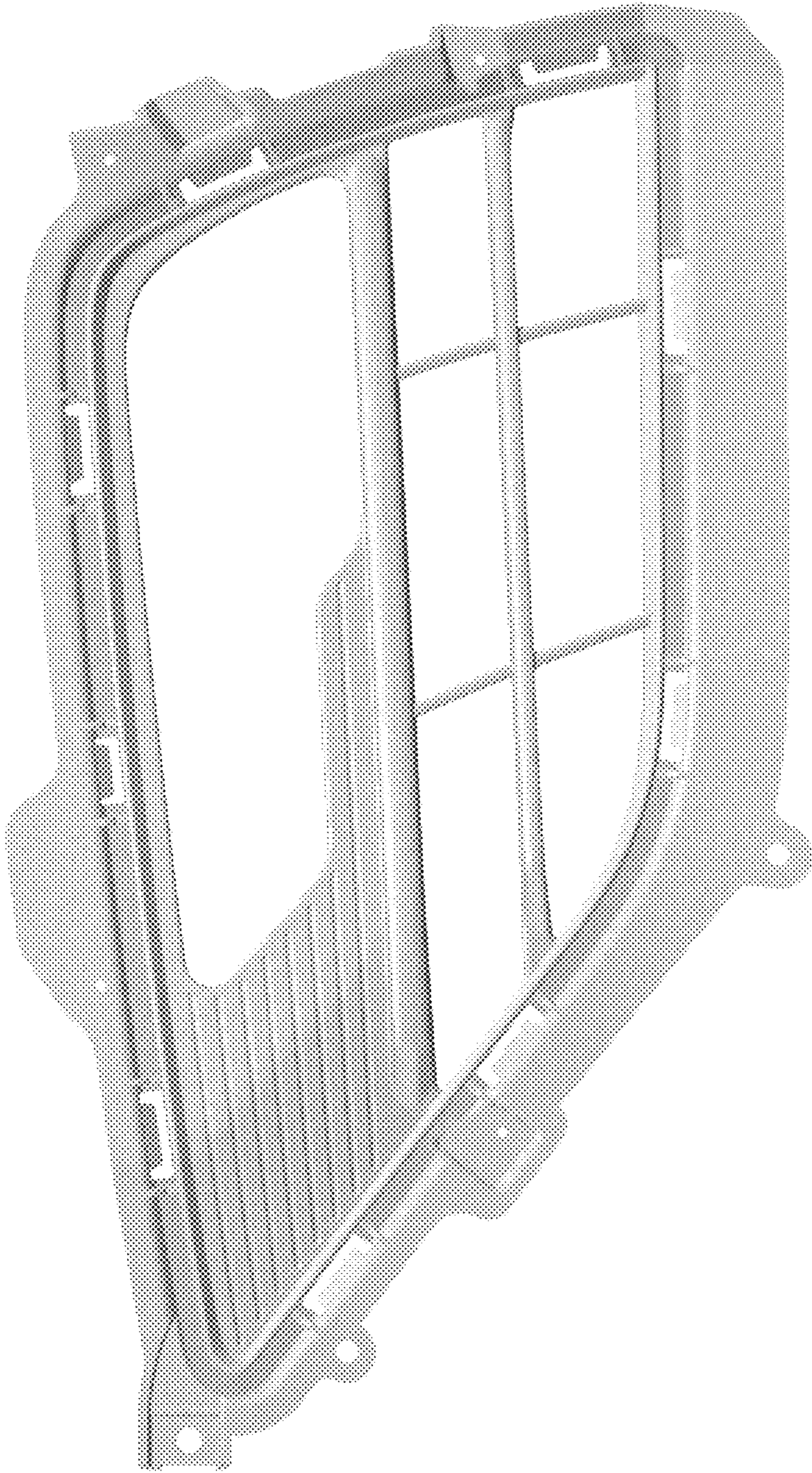


Figure 4

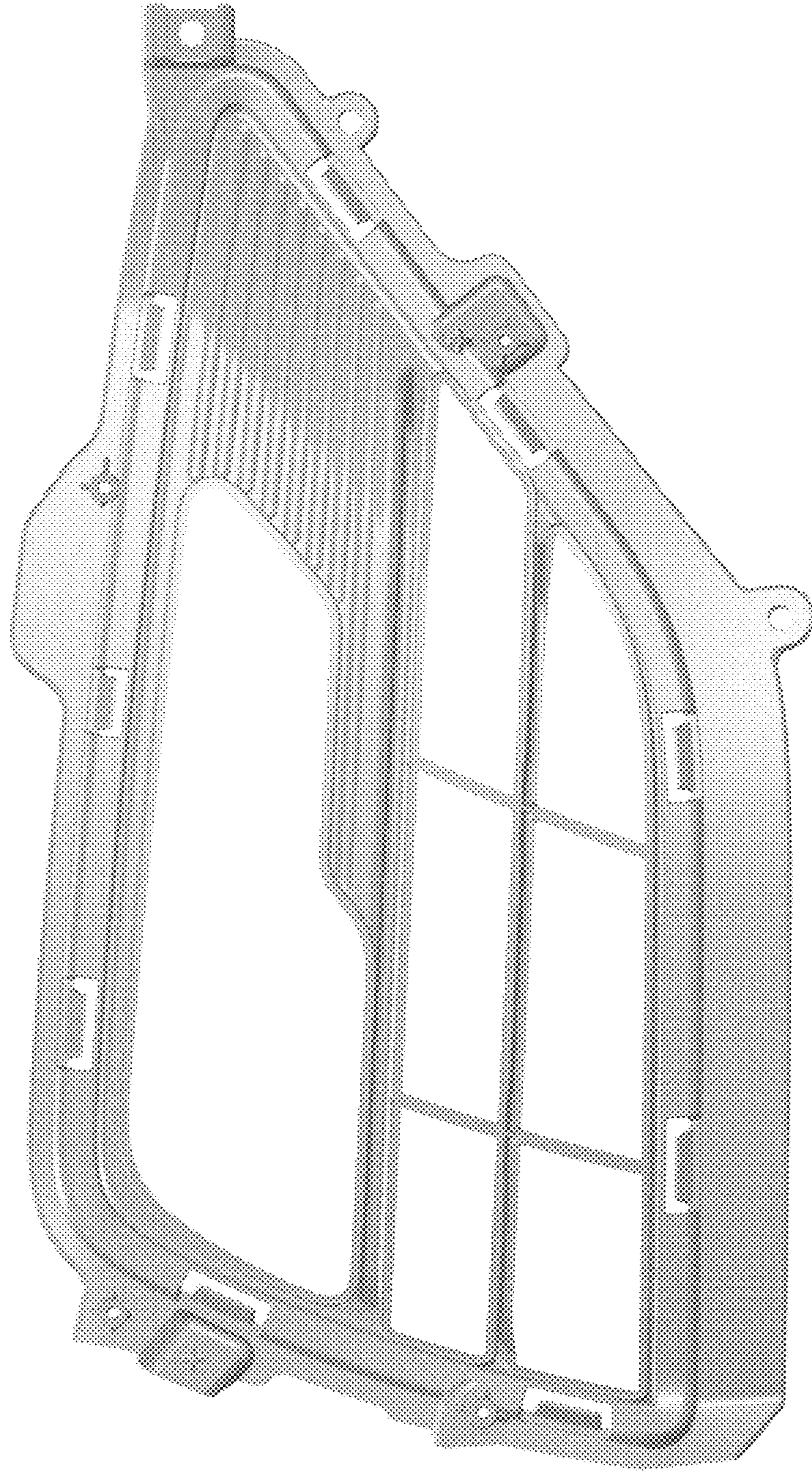


Figure 5

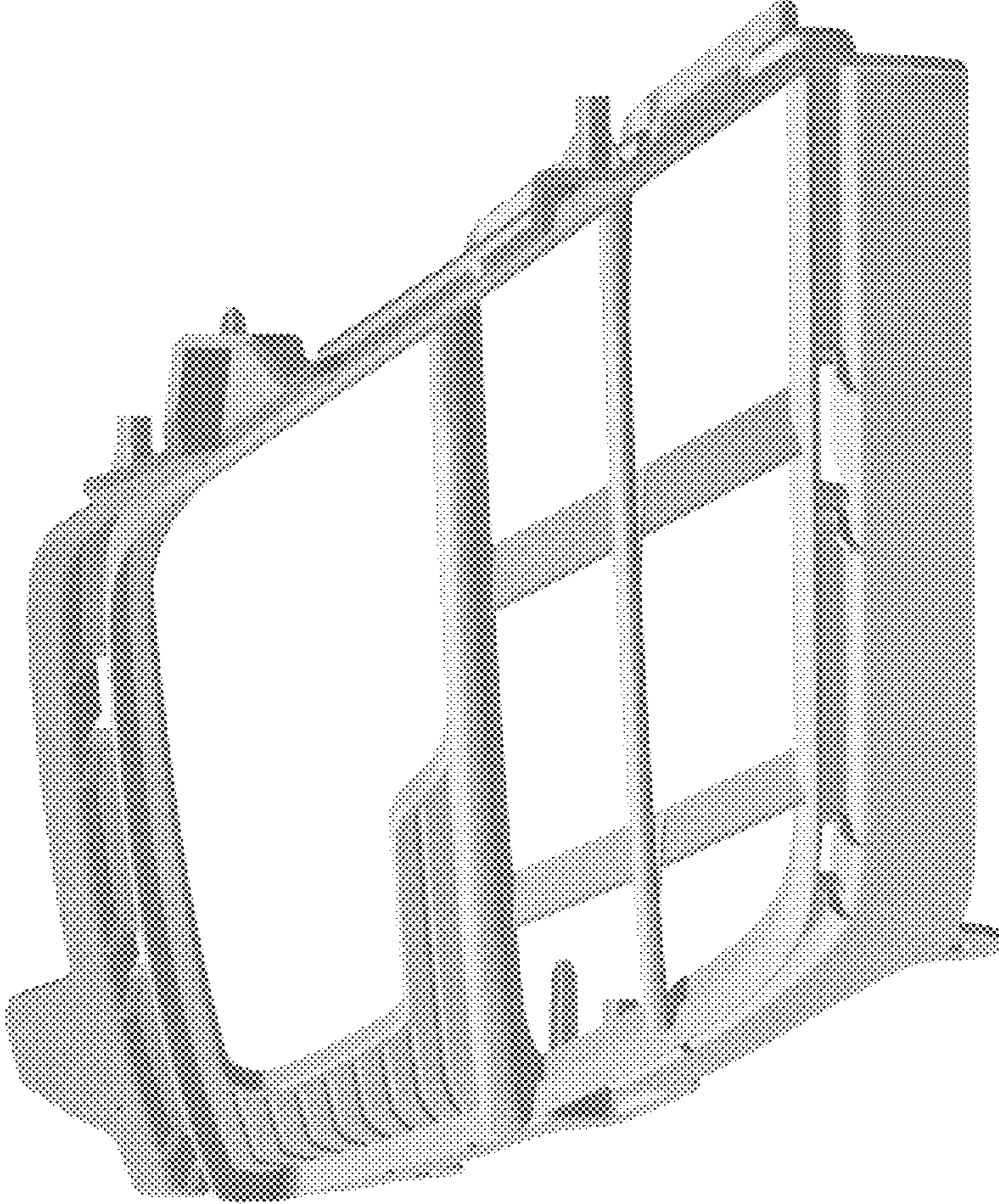


Figure 6

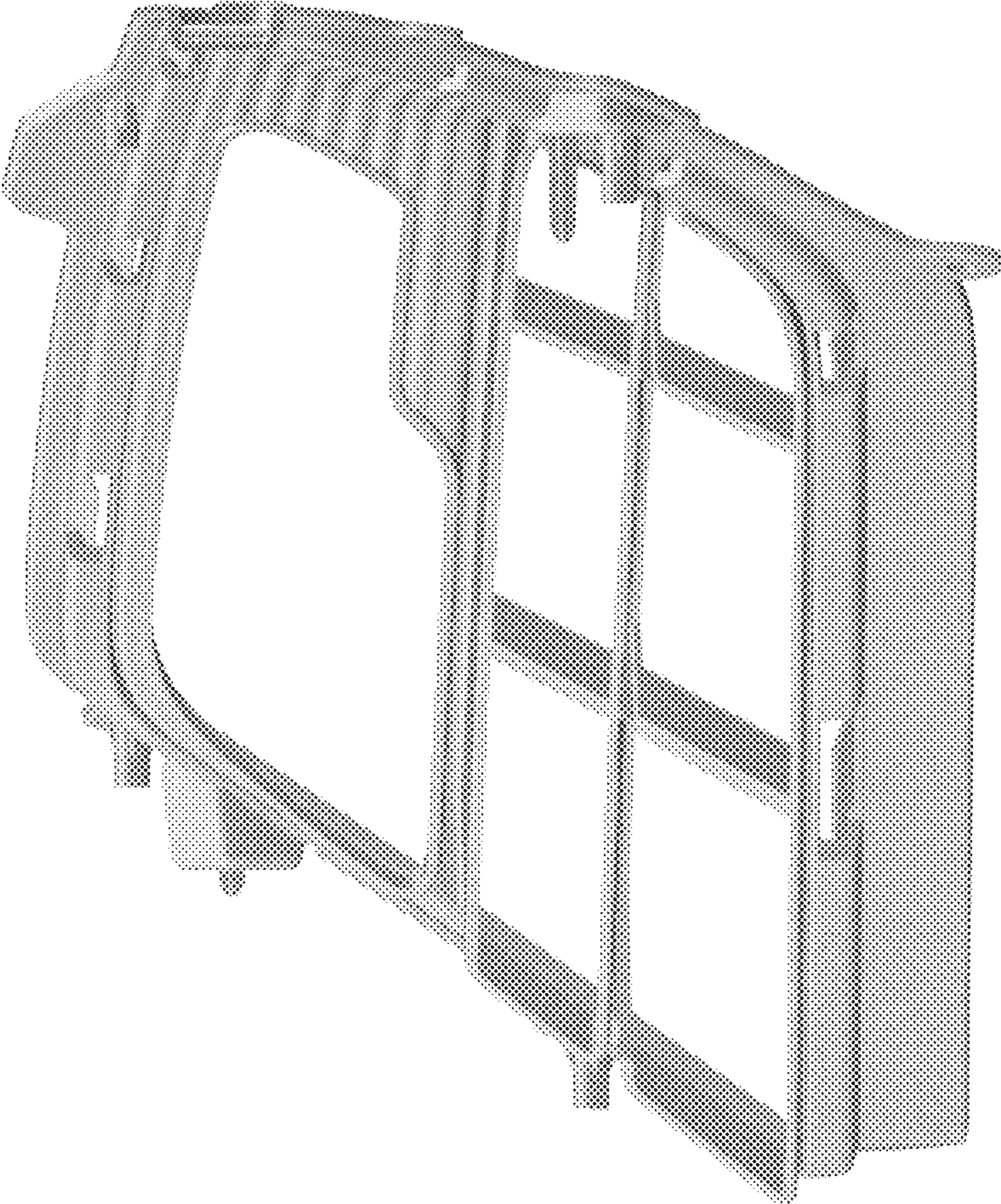


Figure 7

Figure 8

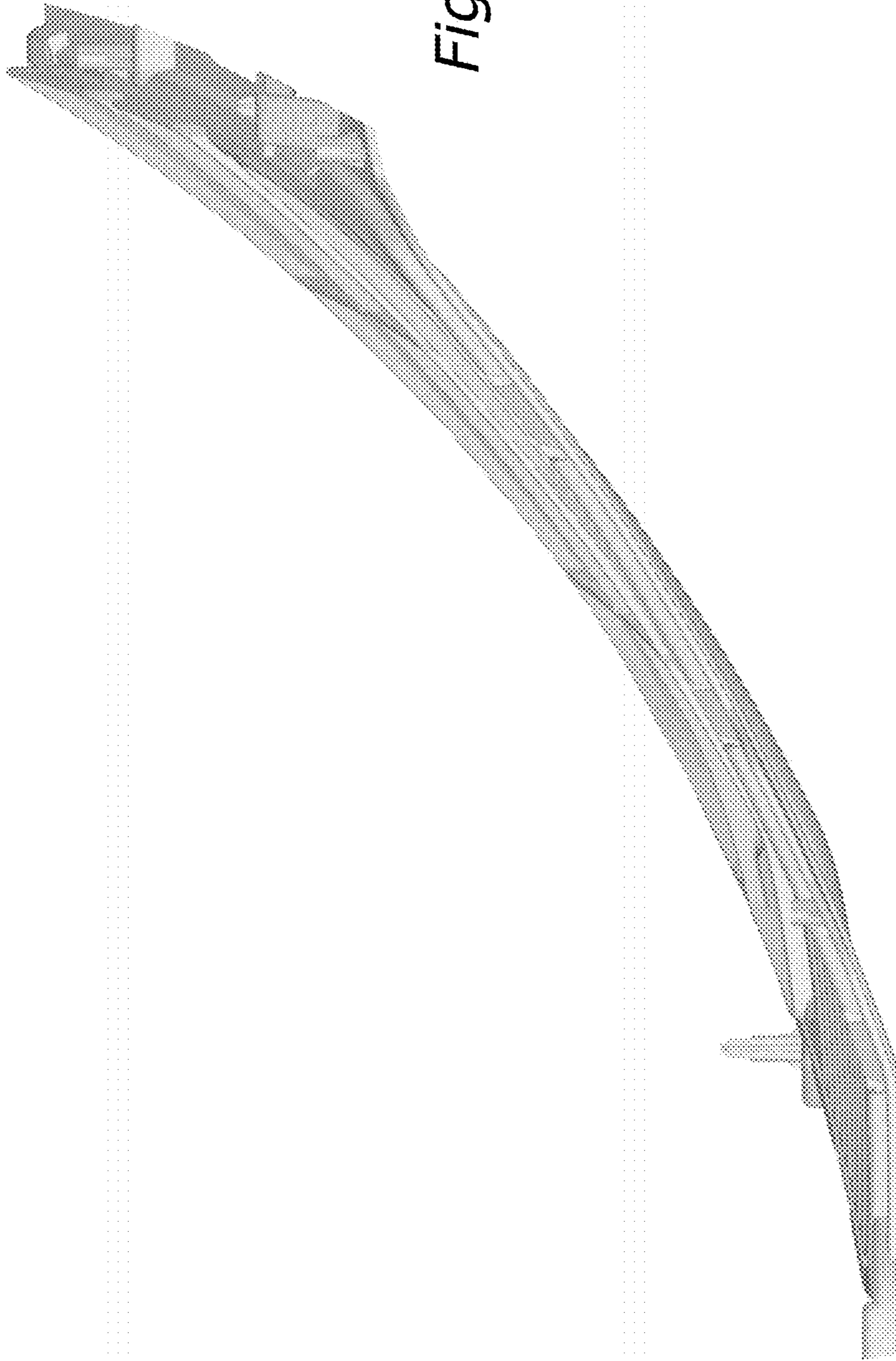


Figure 9

