



US00D776864S

(12) **United States Design Patent** (10) **Patent No.:** **US D776,864 S**  
**Wolff et al.** (45) **Date of Patent:** **\*\* Jan. 17, 2017**

(54) **VEHICLE DAYTIME RUNNING LAMP BEZEL**

D571,500 S \* 6/2008 Lin ..... D26/139  
D595,895 S \* 7/2009 Lamm ..... D26/139  
D604,893 S \* 11/2009 Woolley ..... D26/139

(71) Applicant: **Ford Global Technologies, LLC**,  
Dearborn, MI (US)

\* cited by examiner

(72) Inventors: **Max Wolff**, Birmingham, MI (US);  
**Solomon Song**, Farmington Hills, MI (US)

*Primary Examiner* — Marcus Jackson

(74) *Attorney, Agent, or Firm* — Damian Porcari

(73) Assignee: **Ford Global Technologies, LLC**,  
Dearborn, MI (US)

(57) **CLAIM**

The ornamental design for a vehicle daytime running lamp bezel, as shown and described.

(\*\*) Term: **15 Years**

(21) Appl. No.: **29/544,821**

(22) Filed: **Nov. 6, 2015**

**DESCRIPTION**

(51) **LOC (10) Cl.** ..... **26-99**

(52) **U.S. Cl.**

USPC ..... **D26/139**

(58) **Field of Classification Search**

USPC ..... D26/28-36, 139; 362/80-83, 267-269,  
362/459-468, 475-478, 485-487

CPC ..... F21S 48/00; F21S 48/10; F21S 48/115;  
F21S 48/225; F21S 8/04; F21S

8/026; B60Q 1/04; B60Q 1/26; F21V

21/02; F21V 21/04; F21V 29/004; F21V

29/2212; F21V 1/02; F21V 1/04; F21V  
2102/02

See application file for complete search history.

FIG. 1 is a top front perspective view of the first embodiment of a vehicle daytime running lamp bezel, showing our new design;

FIG. 2 is a bottom front perspective view thereof;

FIG. 3 is a top rear perspective view thereof;

FIG. 4 is a front elevational view thereof;

FIG. 5 is a rear elevational view thereof;

FIG. 6 is a left side elevational view thereof;

FIG. 7 is a right side elevational view thereof;

FIG. 8 is a top plan view thereof; and,

FIG. 9 is a bottom plan view thereof.

The second embodiment of the vehicle daytime running lamp bezel is a mirror image of the first embodiment disclosed in FIGS. 1 through 9 and is not shown.

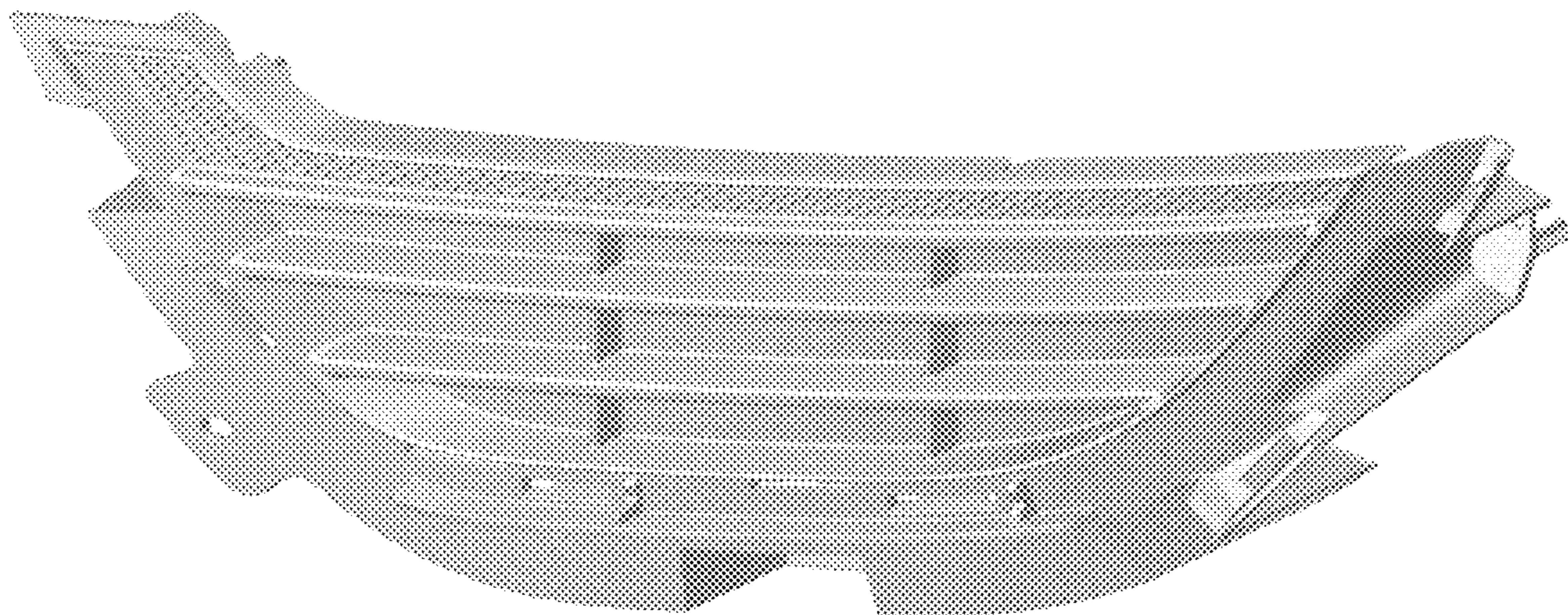
(56) **References Cited**

**U.S. PATENT DOCUMENTS**

D302,335 S \* 7/1989 Smith ..... D26/139

D421,817 S \* 3/2000 Tucker ..... D26/139

**1 Claim, 9 Drawing Sheets**



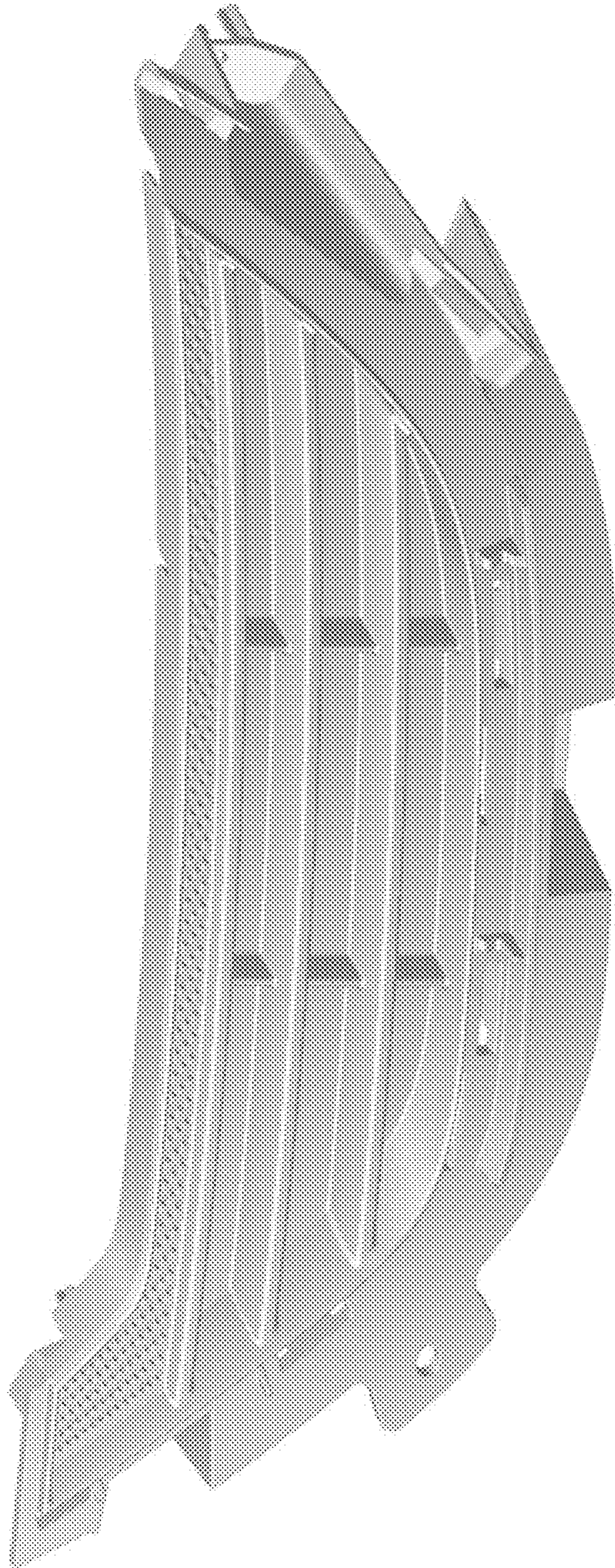


Figure 1

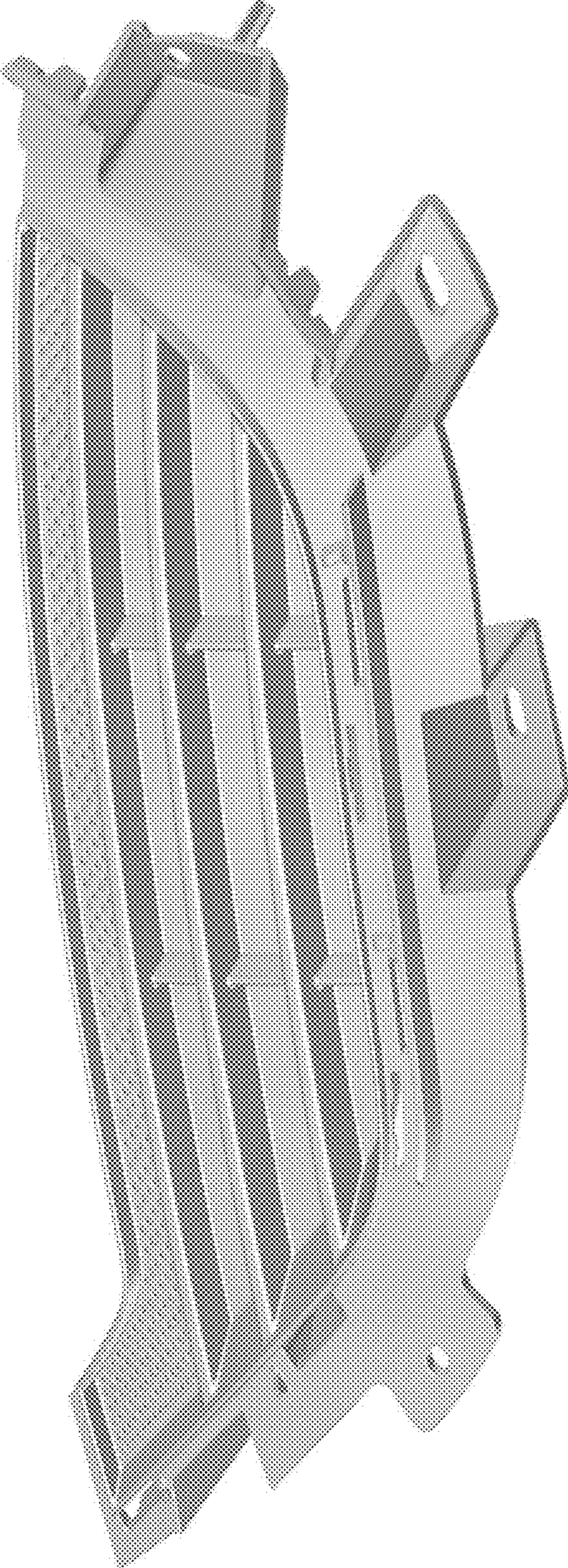


Figure 2

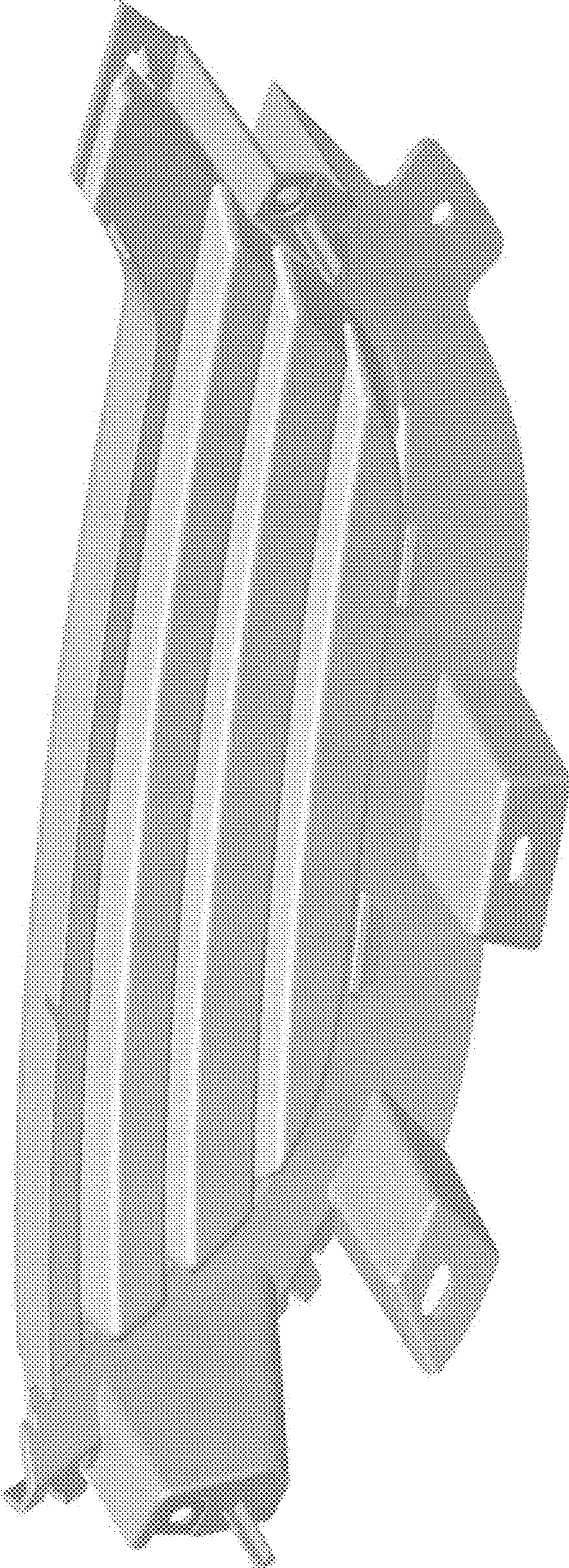


Figure 3

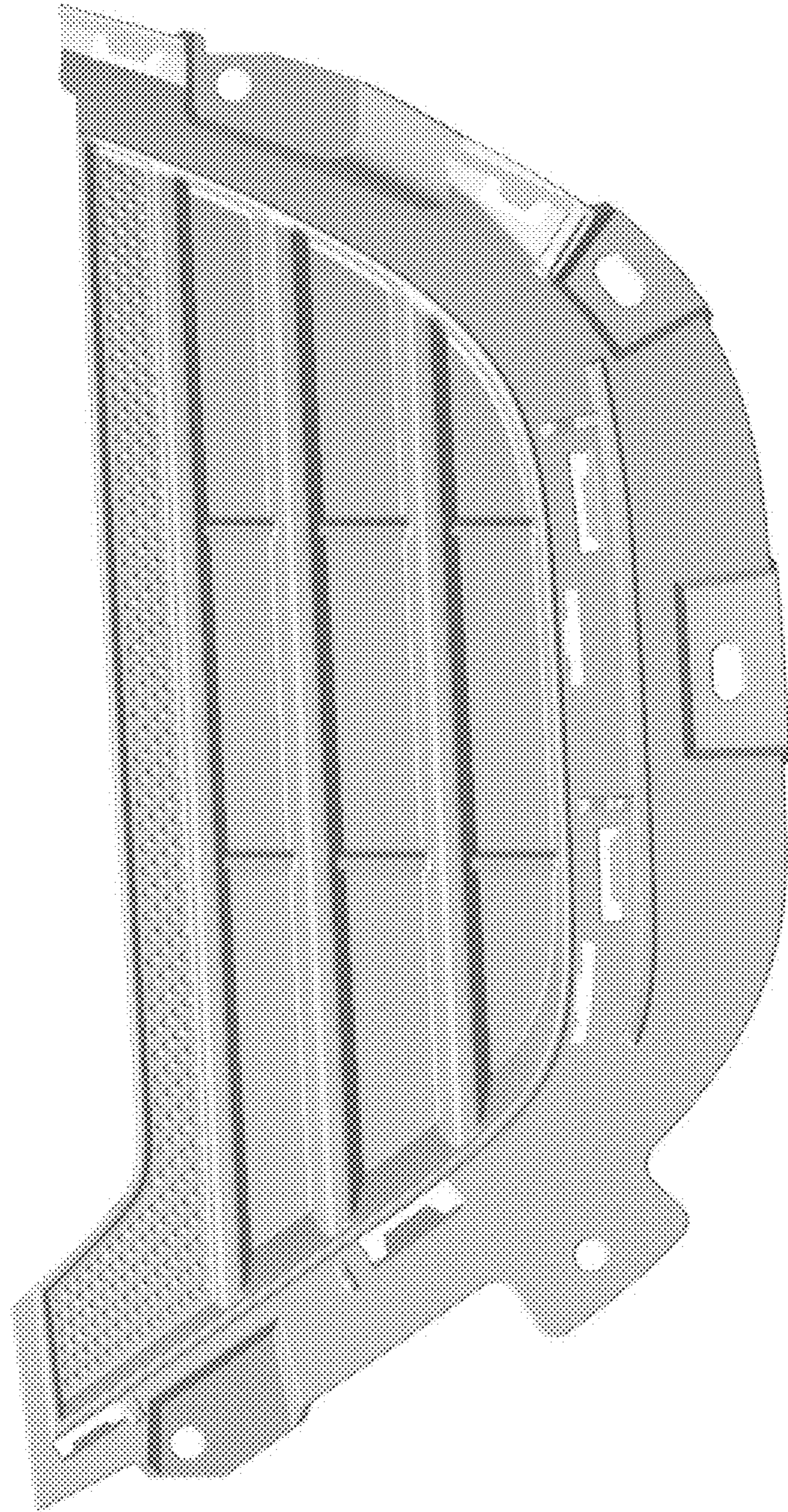


Figure 4

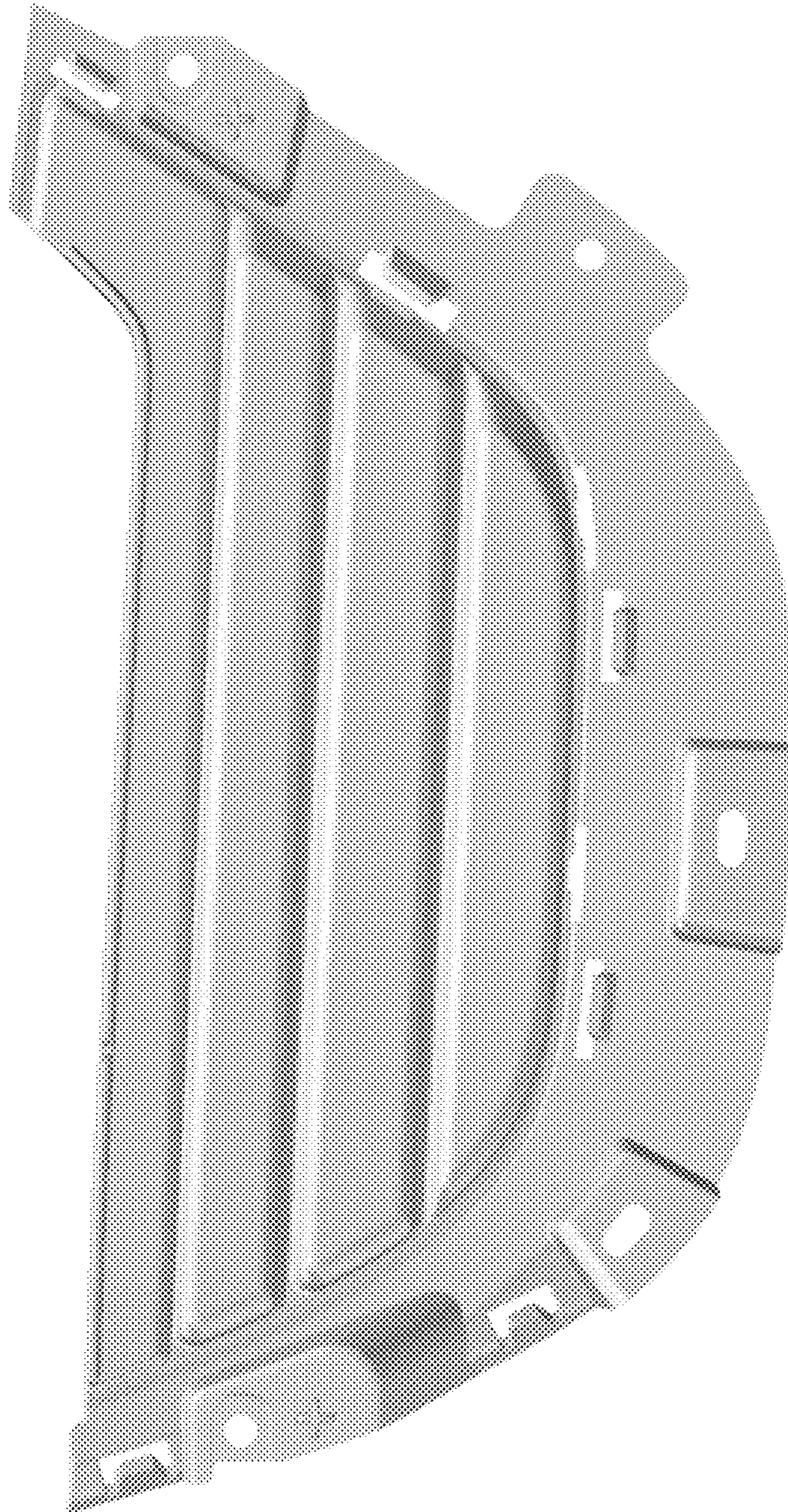


Figure 5

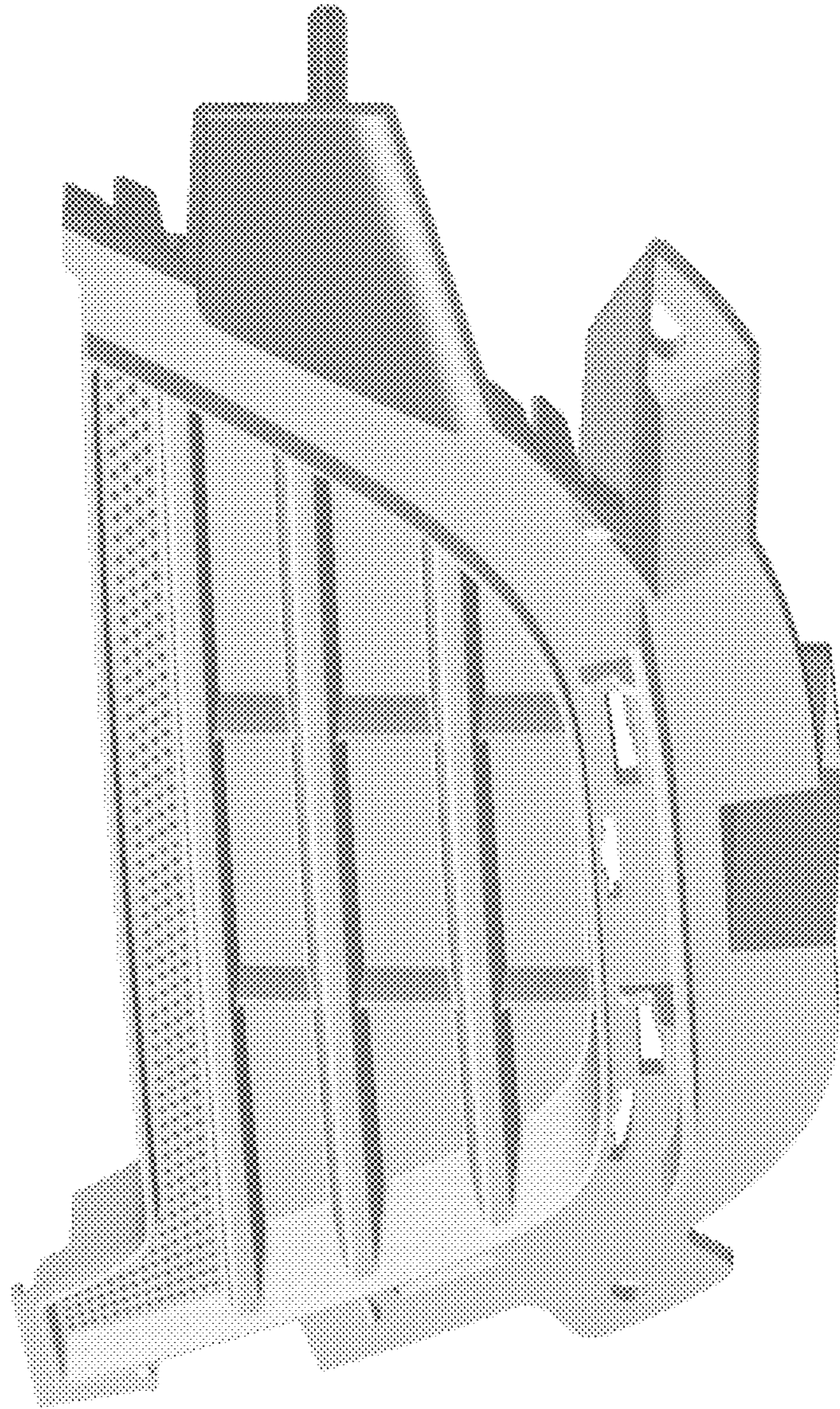


Figure 6

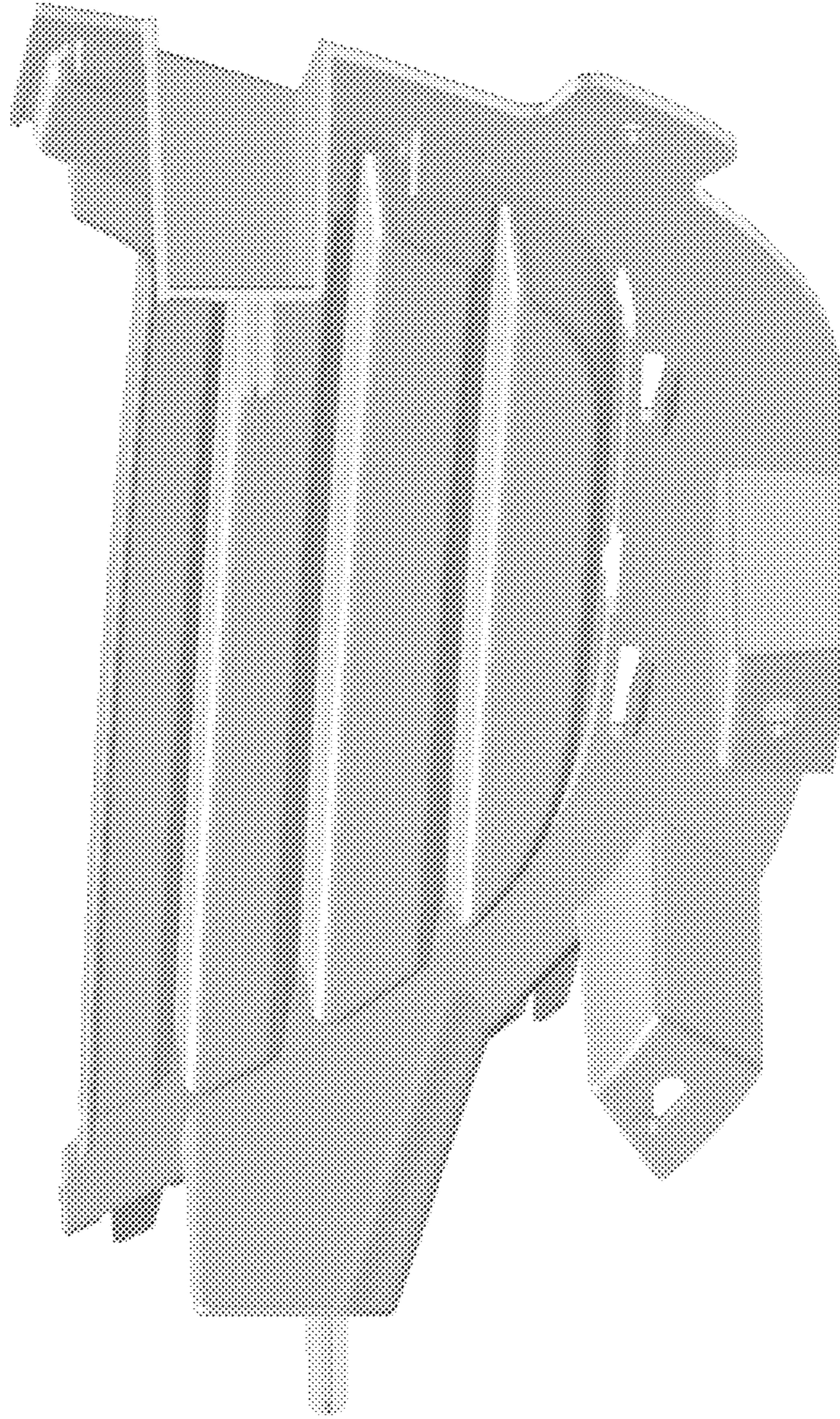


Figure 7



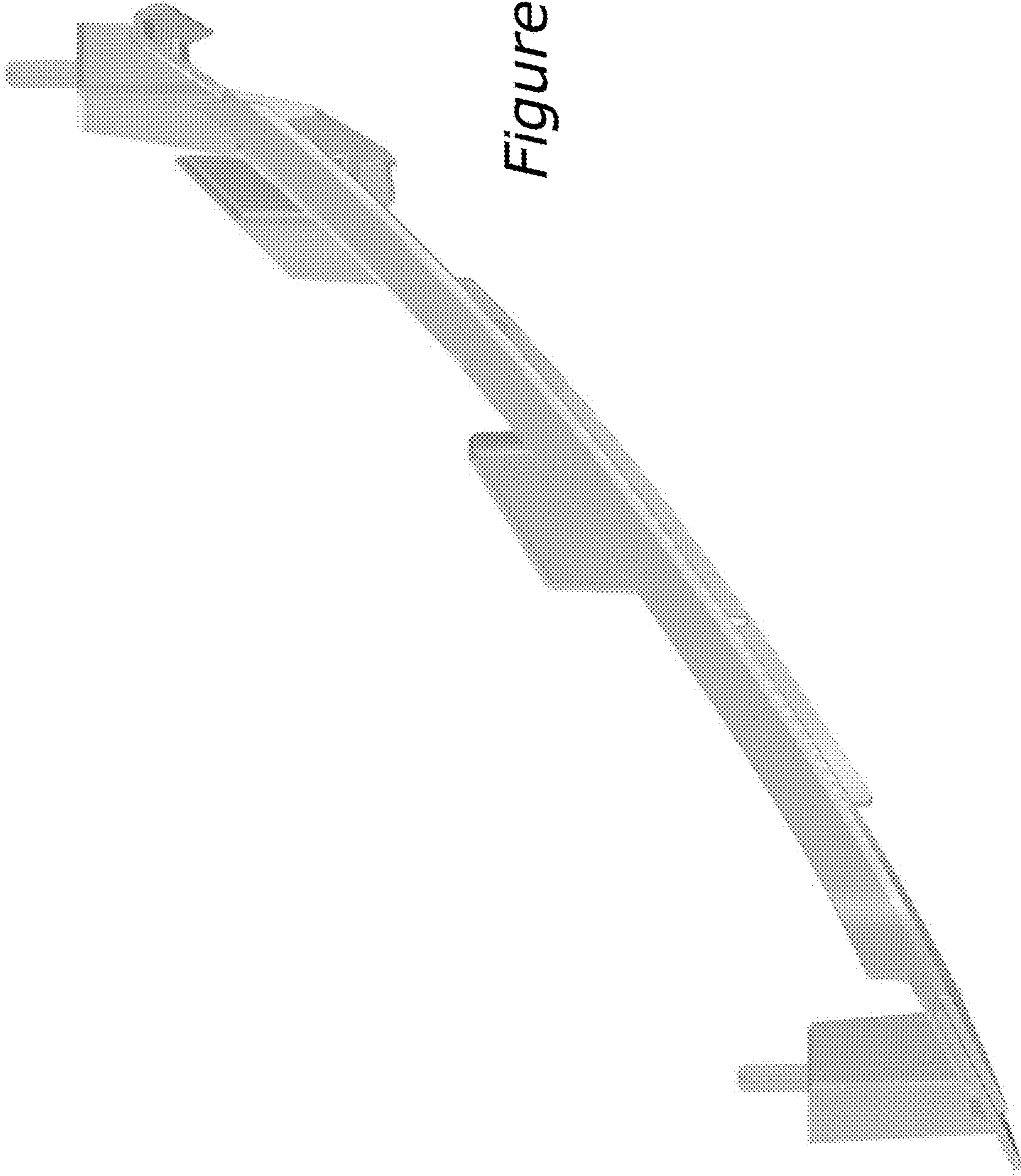


Figure 8

Figure 9

