



US00D776862S

(12) **United States Design Patent**
Plourde et al.

(10) **Patent No.:** **US D776,862 S**
(45) **Date of Patent:** **** Jan. 17, 2017**

- (54) **LIGHT FIXTURE**
- (71) Applicant: **Dioluce, LLC**, New Britain, CT (US)
- (72) Inventors: **Roger Plourde**, Woodbury, CT (US);
Hae N. Yi, Woodbury, CT (US);
Byoung K. Shin, Incheon (KR)
- (73) Assignee: **Dioluce, LLC**, New Britain, CT (US)
- (**) Term: **15 Years**
- (21) Appl. No.: **29/539,560**
- (22) Filed: **Sep. 15, 2015**

D437,669 S 2/2001 Blason et al.
D438,326 S * 2/2001 Kan D26/76
6,231,213 B1 5/2001 Schmidt et al.
(Continued)

FOREIGN PATENT DOCUMENTS

GB 2479216 A 10/2011

OTHER PUBLICATIONS

Notification of Transmittal of the International Search Report and the Written Opinion of the International Searching Authority, or the Declaration for International Application No. PCT/US2013/074679, mailed May 13, 2014, 10 pages.

Primary Examiner — Brian N Vinson

(74) *Attorney, Agent, or Firm* — Lando & Anastasi, LLP;
John N. Anastasi; William J. Seymour

(57) **CLAIM**

The ornamental design for a light fixture, as shown and described.

DESCRIPTION

FIG. 1 is a top perspective view of the light fixture;
FIG. 2 is a bottom view of the light fixture;
FIG. 3 is a top view of the light fixture;
FIG. 4 is a left side view of the light fixture;
FIG. 5 is a right side view of the light fixture;
FIG. 6 is a front view of the light fixture; and,
FIG. 7 is a rear view of the light fixture.

The broken lines shown in the figures are for environmental purposes only and form no part of the claimed design. The portions between the pairs of closely adjacent, spaced, wavy lines in the drawings are broken away to indicate no particular length or width, and such pairs of spaced, wavy lines themselves form no part of the claimed design. The materials that may be visible between the spaced, wavy lines have been removed for clarity.

1 Claim, 3 Drawing Sheets

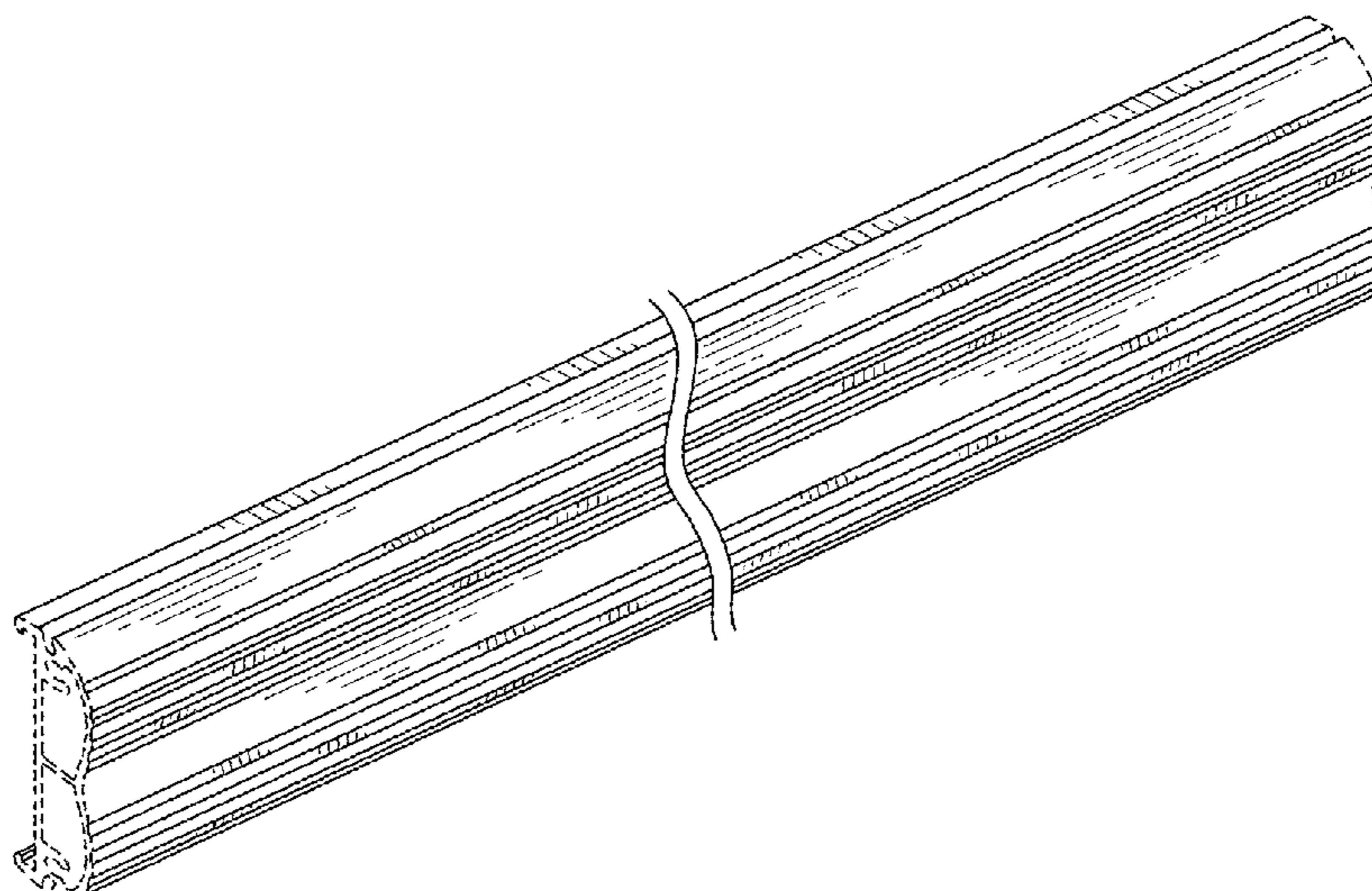
Related U.S. Application Data

- (63) Continuation of application No. 29/480,249, filed on Jan. 24, 2014, now Pat. No. Des. 739,055, which is a continuation of application No. 14/104,564, filed on Dec. 12, 2013, now Pat. No. 9,383,068.
- (51) **LOC (10) Cl.** **26-99**
- (52) **U.S. Cl.**
USPC **D26/118**
- (58) **Field of Classification Search**
USPC ... D26/1-3, 0.24, 42, 72, 76, 109, 118, 120,
D26/132, 133
CPC H05B 37/02; G01R 31/00; H01K 5/00;
H01J 5/00; H01J 15/00; H01J 1/02; H01J
5/16; H01J 13/46; H01J 13/514; H01J
31/048; H01R 31/02
See application file for complete search history.

(56) **References Cited**

U.S. PATENT DOCUMENTS

4,714,219 A	12/1987	Mayse	
D295,329 S *	4/1988	Roos D26/109
D374,301 S	10/1996	Kleffman	
5,653,412 A	8/1997	Martorano et al.	
6,082,031 A	7/2000	Heaton et al.	



(56)

References Cited

U.S. PATENT DOCUMENTS

D448,499 S	9/2001	Choi	2006/0023450 A1	2/2006	Chung et al.
D477,093 S	7/2003	Moriyama et al.	2006/0221606 A1	10/2006	Dowling
6,590,343 B2	7/2003	Pederson	2006/0255753 A1	11/2006	Sawada et al.
D496,121 S	9/2004	Santoro	2007/0025110 A1	2/2007	Langlois et al.
D506,274 S	6/2005	Moriyama et al.	2007/0189001 A1	8/2007	Nielson et al.
7,014,332 B2	3/2006	Sergio et al.	2007/0247850 A1	10/2007	Hawkins et al.
D556,358 S	11/2007	Santoro	2010/0079075 A1	4/2010	Son
7,307,391 B2	12/2007	Shan	2010/0102730 A1	4/2010	Simon et al.
D608,490 S	1/2010	Chung et al.	2010/0149791 A1	6/2010	McCane et al.
7,784,996 B1	8/2010	Cummer	2010/0176724 A1	7/2010	Neal et al.
7,853,414 B2	12/2010	Mischel, Jr. et al.	2011/0058372 A1	3/2011	Lerman et al.
7,997,770 B1	8/2011	Meurer	2011/0221350 A1	9/2011	Staab
8,070,312 B2	12/2011	Verfuerrth et al.	2012/0020112 A1	1/2012	Fisher et al.
D653,376 S	1/2012	Kong et al.	2012/0044435 A1	2/2012	Dai
8,376,583 B2	2/2013	Wang et al.	2012/0069582 A1	3/2012	Chang
D678,597 S	3/2013	Lehman et al.	2012/0146503 A1	6/2012	Negley et al.
8,419,209 B2	4/2013	Mai	2012/0242929 A1	9/2012	Ohyama
D698,975 S	2/2014	Blessitt et al.	2012/0287631 A1	11/2012	Sheng
D703,368 S	4/2014	Oldani	2012/0300471 A1	11/2012	Howe
D709,636 S *	7/2014	Murata D26/72	2012/0306377 A1	12/2012	Igaki et al.
9,052,075 B2	6/2015	Demuynck et al.	2013/0003373 A1	1/2013	Hamby et al.
9,206,948 B1	12/2015	Scribante et al.	2013/0128177 A1	5/2013	Kuo et al.
D747,529 S	1/2016	Yoon	2013/0208212 A1	8/2013	Que et al.
D749,768 S	2/2016	Snell et al.	2014/0009940 A1	1/2014	Moore
			2014/0168955 A1	6/2014	Gershaw
			2014/0313716 A1	10/2014	Lang

* cited by examiner

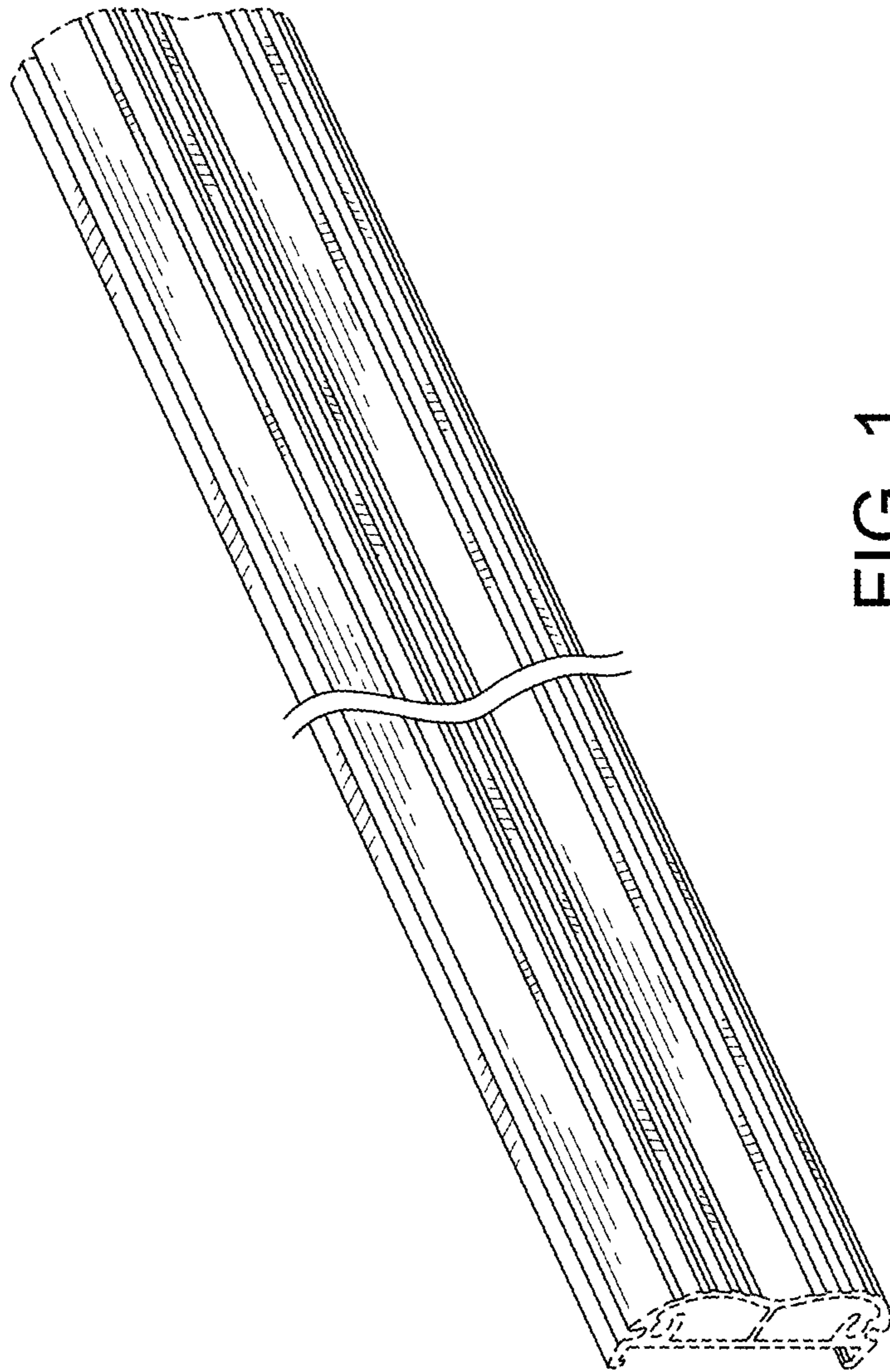


FIG. 1

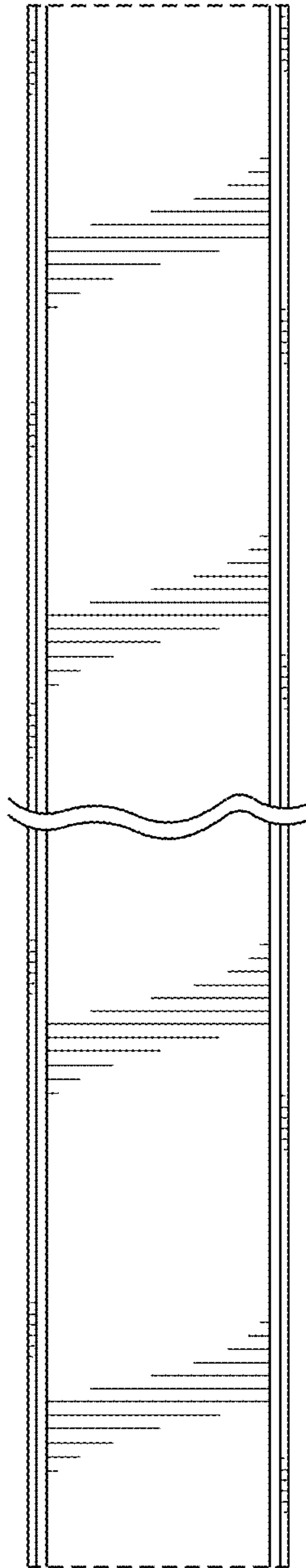


FIG. 2

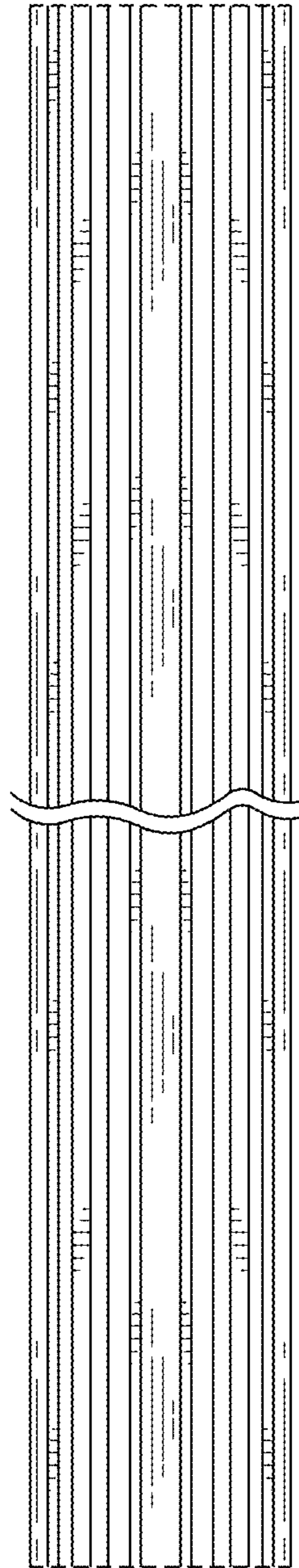


FIG. 3

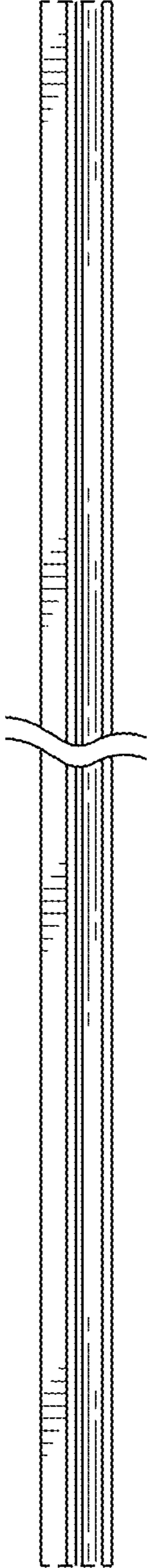


FIG. 4

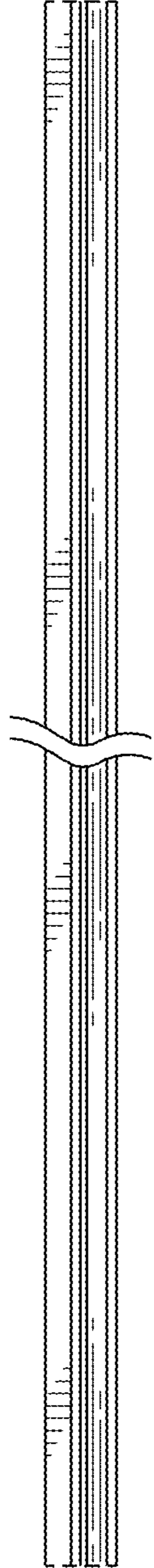


FIG. 5



FIG. 6



FIG. 7