



US00D776861S

(12) **United States Design Patent** (10) **Patent No.:** **US D776,861 S**
Dyson et al. (45) **Date of Patent:** **** Jan. 17, 2017**

(54) **LIGHT FIXTURE**

2101/02;F23D 11/443; F21K 9/00; H01L 2224/48137

(71) Applicant: **DYSON TECHNOLOGY LIMITED**,
Wiltshire (GB)

See application file for complete search history.

(72) Inventors: **Jacob Dyson**, London (GB); **Douglas Andrew Inge**, London (GB); **Samuel Emrys James**, London (GB)

(56) **References Cited**

U.S. PATENT DOCUMENTS

(73) Assignee: **Dyson Technology Limited**,
Malmesbury, Wiltshire (GB)

D117,643 S 11/1939 Stewart
D143,641 S * 1/1946 Biller et al. D26/121
D156,332 S * 12/1949 Gilman D26/77
2,880,352 A * 3/1959 Hart H01J 19/00
313/269
2,946,880 A * 7/1960 Picha F21S 8/04
362/224
D240,853 S * 8/1976 Aronson D26/77

(**) Term: **15 Years**

(21) Appl. No.: **29/551,573**

(Continued)

(22) Filed: **Jan. 14, 2016**

OTHER PUBLICATIONS

Related U.S. Application Data

(62) Division of application No. 29/502,359, filed on Sep. 15, 2014, now Pat. No. Des. 750,830.

Ariel donwlight, image post date Nov. 26, 2014, site visited Jul. 20, 2016, (online), <<https://www.tineye.com/search/174dd38c36692c265b816732c628fe183ab17539/>>.*

(Continued)

(30) **Foreign Application Priority Data**

Mar. 14, 2014 (EP) 002425777-0001
Mar. 14, 2014 (EP) 002425777-0002
Mar. 14, 2014 (EP) 002425777-0003

Primary Examiner — Kevin Rudzinski
Assistant Examiner — Sean D Lough
(74) *Attorney, Agent, or Firm* — Morrison & Foerster LLP

(51) **LOC (10) Cl.** **26-99**

(52) **U.S. Cl.**
USPC **D26/113**

(57) **CLAIM**

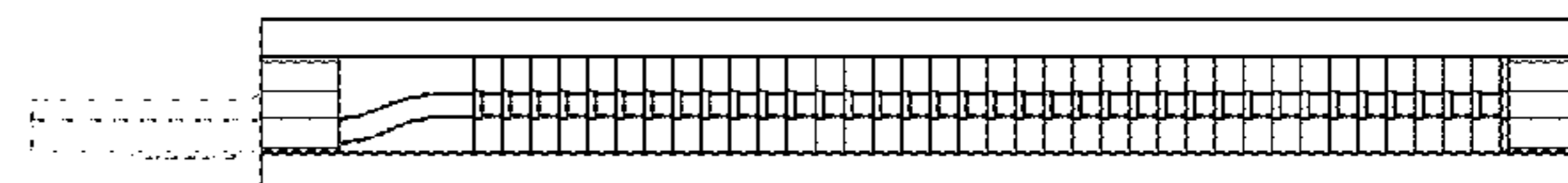
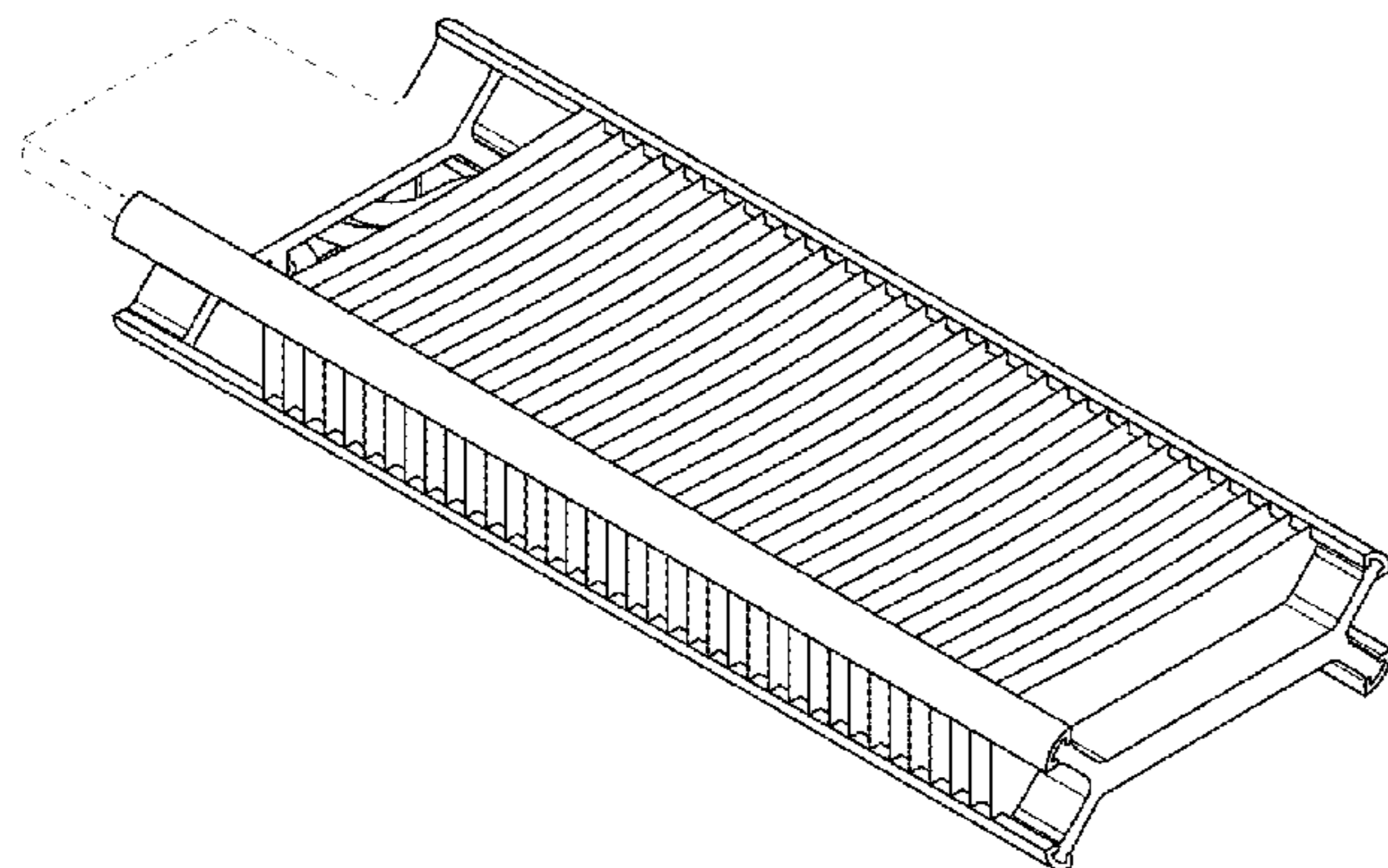
(58) **Field of Classification Search**
USPC D26/5, 6, 9, 10, 11, 12, 13, 15, 16, 24, D26/51, 61, 72, 76, 79, 80, 81, 85, 86, D26/88, 90, 113, 114, 116, 118, 119, 120, D26/121, 122, 127, 128, 129, 131, 135, D26/137, 138, 143, 144, 180, 2, 28, 60, D26/89, 104, 124, 142, 103, 107, 108, D26/179, 145, 102
CPC B01D 46/10; A61L 9/037; B60Q 1/04; B60Q 1/26; F21L 19/00; F21S 8/04; F21S 8/026; F21V 7/00; F21V 7/22; F21V 21/02; F21V 21/04; F21V 29/004; F21V 29/83; F21V 29/2212; F21V 37/002; F21V 3/02; F21V 29/006; F21Y

The ornamental design for a light fixture, as shown and described.

DESCRIPTION

FIG. 1 is a perspective view of the light fixture showing our new design;
FIG. 2 is a front view thereof;
FIG. 3 is a rear view thereof;
FIG. 4 is a top plan view thereof;
FIG. 5 is a bottom plan view thereof;
FIG. 6 is a left side view thereof; and,
FIG. 7 is a right side view thereof.

(Continued)



The broken lines present illustrate portions of the light fixture that form no part of the claimed design.

1 Claim, 1 Drawing Sheet

(56)

References Cited

U.S. PATENT DOCUMENTS

D245,535 S * 8/1977 Segil D26/121
 D245,536 S 8/1977 Segil
 D279,506 S 7/1985 Simson
 D304,173 S 10/1989 Frassati
 D308,259 S * 5/1990 Burkarth D26/78
 D328,057 S * 7/1992 Prager D13/110
 D360,271 S * 7/1995 Butler D26/77
 D377,231 S * 1/1997 Degelmann D26/77
 D381,011 S * 7/1997 Widmayer D13/179
 D426,195 S * 6/2000 Kuo D13/179
 D429,357 S * 8/2000 Grimm D26/76
 D459,517 S * 6/2002 Shemitz D26/76
 D461,928 S 8/2002 De'Armond
 6,517,218 B2 * 2/2003 Hochstein F21S 48/215
 257/712
 D480,172 S 9/2003 Herst
 D491,260 S * 6/2004 Luo D23/411
 D521,677 S * 5/2006 Herst D26/121
 7,261,436 B2 * 8/2007 Haugaard F21S 8/06
 362/222
 D558,379 S * 12/2007 Citterio D26/76
 D561,384 S * 2/2008 Hukle D26/120
 D578,696 S * 10/2008 Wang D26/70
 D581,062 S 11/2008 Kawagoe
 D588,286 S 3/2009 Kawagoe
 D593,512 S * 6/2009 Lin D13/179
 D600,851 S 9/2009 Nourishad
 D613,443 S * 4/2010 Chen D26/70
 7,753,568 B2 * 7/2010 Hu F21K 9/00
 362/294
 D627,915 S * 11/2010 Pei D26/76
 D629,958 S 12/2010 Kong
 7,857,497 B2 * 12/2010 Koike F21S 8/088
 362/234
 D632,418 S * 2/2011 Bisberg D26/76
 D632,836 S 2/2011 Kuchar
 D633,230 S * 2/2011 Chen D26/24
 D635,708 S * 4/2011 Zheng D26/78
 D636,529 S 4/2011 Loraing
 D636,929 S 4/2011 Kong
 D640,825 S * 6/2011 Schmidt D26/121
 D641,908 S * 7/2011 McKee D26/71
 7,976,188 B2 * 7/2011 Peng F21S 8/04
 362/221
 D642,721 S * 8/2011 Li D26/63
 D643,960 S * 8/2011 Waldmann D26/74
 D644,370 S * 8/2011 Lickiss D26/71
 D644,776 S * 9/2011 Rea D26/63
 D645,189 S * 9/2011 Howis D26/69
 8,075,164 B2 * 12/2011 Xiao F21V 15/013
 362/294
 D661,008 S * 5/2012 Yuan D26/74
 D662,255 S 6/2012 Klu
 D664,706 S * 7/2012 Schieffelin D26/122
 D670,843 S 11/2012 Von Waldthausen
 D672,004 S 12/2012 Stracener
 D672,908 S * 12/2012 Wilcox D26/118
 D674,132 S 1/2013 Shemitz-Walkder
 D675,772 S 2/2013 Tran
 D676,185 S 2/2013 Piepgras
 8,376,583 B2 2/2013 Wang
 D681,265 S 4/2013 Kim
 D682,135 S 5/2013 Grote, Jr.
 D690,839 S 10/2013 Wang
 D690,859 S 10/2013 Mollaghaffari
 D693,960 S 11/2013 Shemitz-Walker

D695,949 S * 12/2013 Gordin D26/118
 D695,950 S * 12/2013 Gordin D26/118
 D697,247 S 1/2014 Mollaghaffari
 D697,646 S 1/2014 He
 D697,653 S 1/2014 Wessel
 D698,481 S 1/2014 Wasserman
 D699,886 S 2/2014 Wilke
 D701,279 S 3/2014 Clark
 D703,863 S 4/2014 Cho
 D709,159 S 7/2014 Gibson
 D709,238 S * 7/2014 May D26/72
 D711,037 S * 8/2014 Lehman D26/77
 D712,582 S 9/2014 Yanping
 D714,486 S 9/2014 Wilke
 D715,992 S 10/2014 Schroeder
 D715,994 S 10/2014 Klus
 D726,361 S 4/2015 Rischau
 D730,448 S 5/2015 Rau
 D730,568 S 5/2015 Mahowald
 D731,103 S 6/2015 Wilke
 D731,688 S 6/2015 Piano
 D732,234 S 6/2015 Rashidi Doust
 D733,355 S 6/2015 Klus
 D733,669 S 7/2015 Freeman
 D734,532 S 7/2015 Gordin
 D735,391 S 7/2015 Blessitt
 D736,612 S 8/2015 Sickler, Jr.
 D750,830 S * 3/2016 Dyson D26/113
 2006/0181878 A1 * 8/2006 Burkholder F21S 48/321
 362/294
 2008/0055534 A1 * 3/2008 Kawano G02F 1/133603
 349/161
 2008/0295993 A1 * 12/2008 Chen H01L 23/427
 165/80.3
 2009/0052177 A1 * 2/2009 Lin F21V 29/763
 362/249.01
 2009/0262533 A1 * 10/2009 Liu F21S 8/086
 362/249.02
 2009/0323347 A1 * 12/2009 Zhang F21V 29/004
 362/294
 2010/0053966 A1 * 3/2010 Tu F21S 2/005
 362/249.02
 2010/0110679 A1 * 5/2010 Teng F21K 9/00
 362/235
 2010/0296287 A1 11/2010 Huang
 2011/0163341 A1 * 7/2011 Van Elmpt F21K 9/00
 257/98
 2011/0219657 A1 * 9/2011 Ash, Jr. F41C 27/00
 42/90
 2011/0255276 A1 * 10/2011 Coward F21V 14/02
 362/217.02
 2012/0057360 A1 * 3/2012 Swan F21V 21/0885
 362/389
 2012/0182713 A1 * 7/2012 Bretschneider F21V 29/004
 362/84
 2013/0250556 A1 * 9/2013 Gordin F21S 8/088
 362/147
 2015/0029721 A1 * 1/2015 Kim F21K 9/00
 362/249.02

OTHER PUBLICATIONS

Ariel, image post date Oct. 12, 2014, site visited Jul. 20, 2016, (online), <<http://web.archive.org/web/20141012182956/http://www.dwstudio.co.uk/case-studies/jake-dyson-ariel-uplight-downlight>>.*
 Jake Dyson Ariel Lights, image post date Jul. 15, 2014, site visited Jul. 20, 2016, (online), <<http://web.archive.org/web/20140715050338/http://uncrate.com/stuff/jake-dyson-ariel-lights/>>.*
 Cu-Beam, image post date Mar. 11, 2016, site visited Jul. 20, 2016, (online), <<http://web.archive.org/web/20160311221147/http://www.dyson.com/lighting/cu-beam-suspended-lights.aspx>>.*
 U.S. Appl. No. 29/502,359, filed Sep. 15, 2014, Jacob Dyson.

* cited by examiner

