



US00D776860S

(12) **United States Design Patent**  
**Rashid**

(10) **Patent No.:** **US D776,860 S**

(45) **Date of Patent:** **\*\* Jan. 17, 2017**

(54) **LAMP**

(71) Applicant: **FONTANAARTE S.p.A.**, Corsico,  
Milan (IT)

(72) Inventor: **Karim Rashid**, New York, NY (US)

(73) Assignee: **FONTANAARTE S.p.A.** (IT)

(\*\*) Term: **15 Years**

(21) Appl. No.: **29/542,317**

(22) Filed: **Oct. 13, 2015**

(30) **Foreign Application Priority Data**

Apr. 10, 2015 (IT) ..... MI2015O0060

(51) **LOC (10) Cl.** ..... **26-03**

(52) **U.S. Cl.**  
USPC ..... **D26/107**

(58) **Field of Classification Search**  
USPC ..... D26/1, 24, 93, 104, 106, 107, 109, 110,  
D26/62

CPC ..... F21S 6/00; F21S 6/043; F21S 8/08;  
F21V 21/00; F21V 21/02; F21W 2121/00;  
F21W 2131/30

See application file for complete search history.

(56) **References Cited**

**U.S. PATENT DOCUMENTS**

D368,549 S \* 4/1996 Huang ..... D26/107  
D401,377 S \* 11/1998 Eusterbrock ..... D26/107

D673,716 S \* 1/2013 Huang ..... D26/93  
D683,887 S \* 6/2013 Sabernig ..... D26/93  
D728,845 S \* 5/2015 Huang ..... D26/107  
D734,528 S \* 7/2015 Douglas ..... D26/107  
D759,289 S \* 6/2016 Newhouse ..... D26/107

\* cited by examiner

*Primary Examiner* — Brian N Vinson

(74) *Attorney, Agent, or Firm* — Saidman DesignLaw  
Group, LLC

(57) **CLAIM**

The ornamental design for a lamp, as shown and described.

**DESCRIPTION**

FIG. 1 is a perspective view of a lamp showing my new design, the following figures showing various positions thereof;

FIG. 2 is another perspective view thereof;

FIG. 3 is a front view thereof;

FIG. 4 is a rear view thereof;

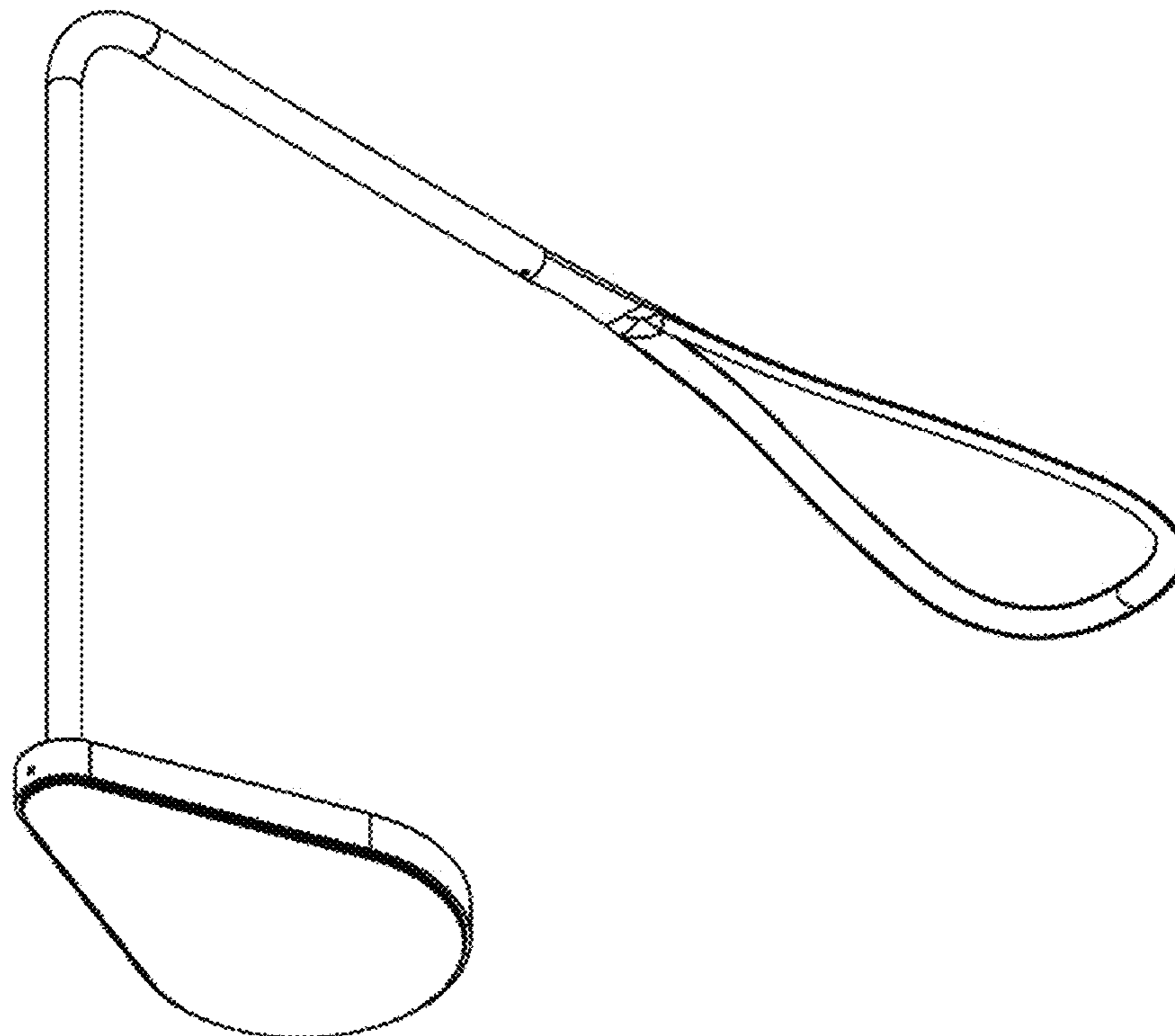
FIG. 5 is a left side view thereof, the right side view being a mirror image;

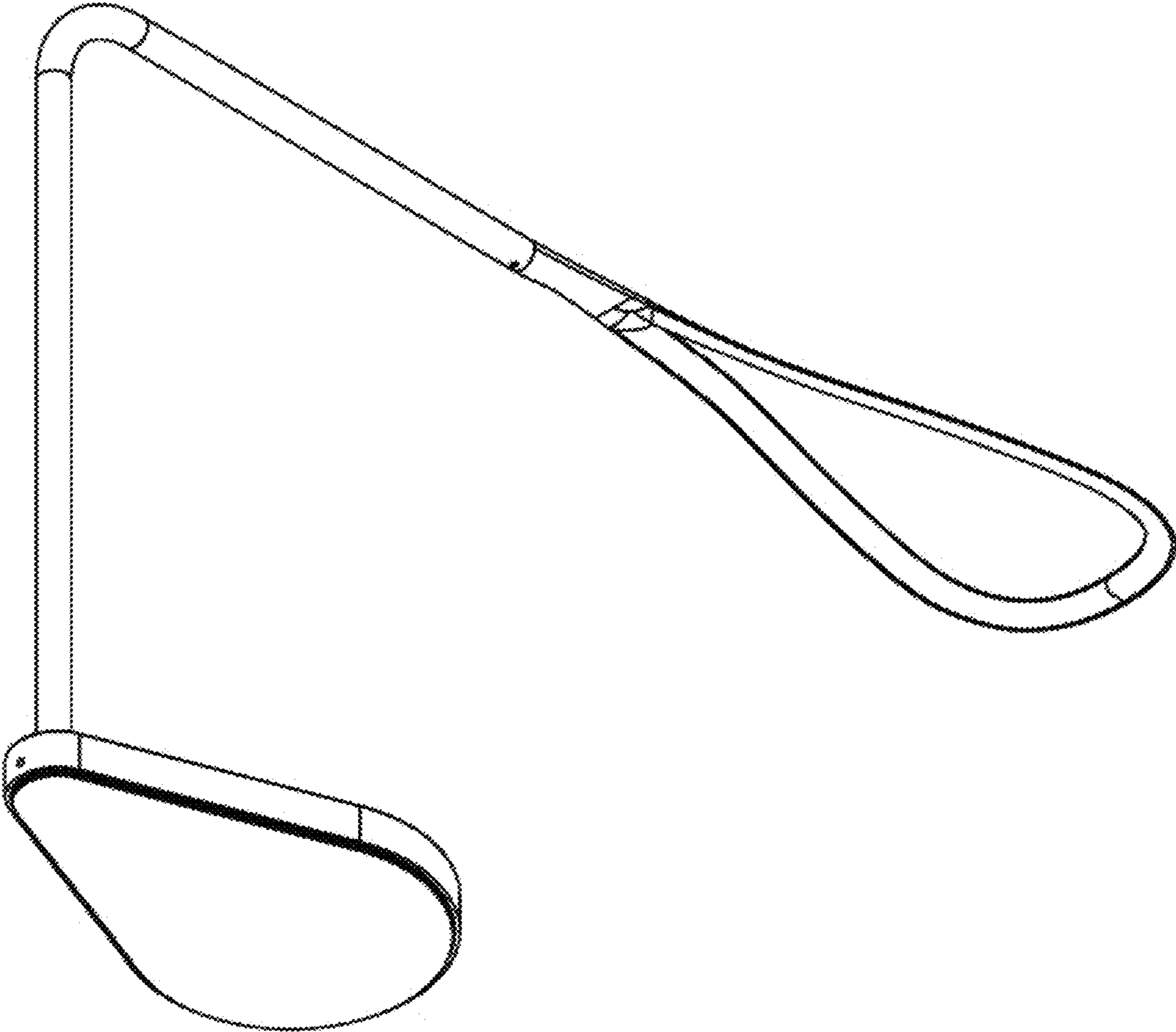
FIG. 6 is a top view thereof; and,

FIG. 7 is a bottom view thereof.

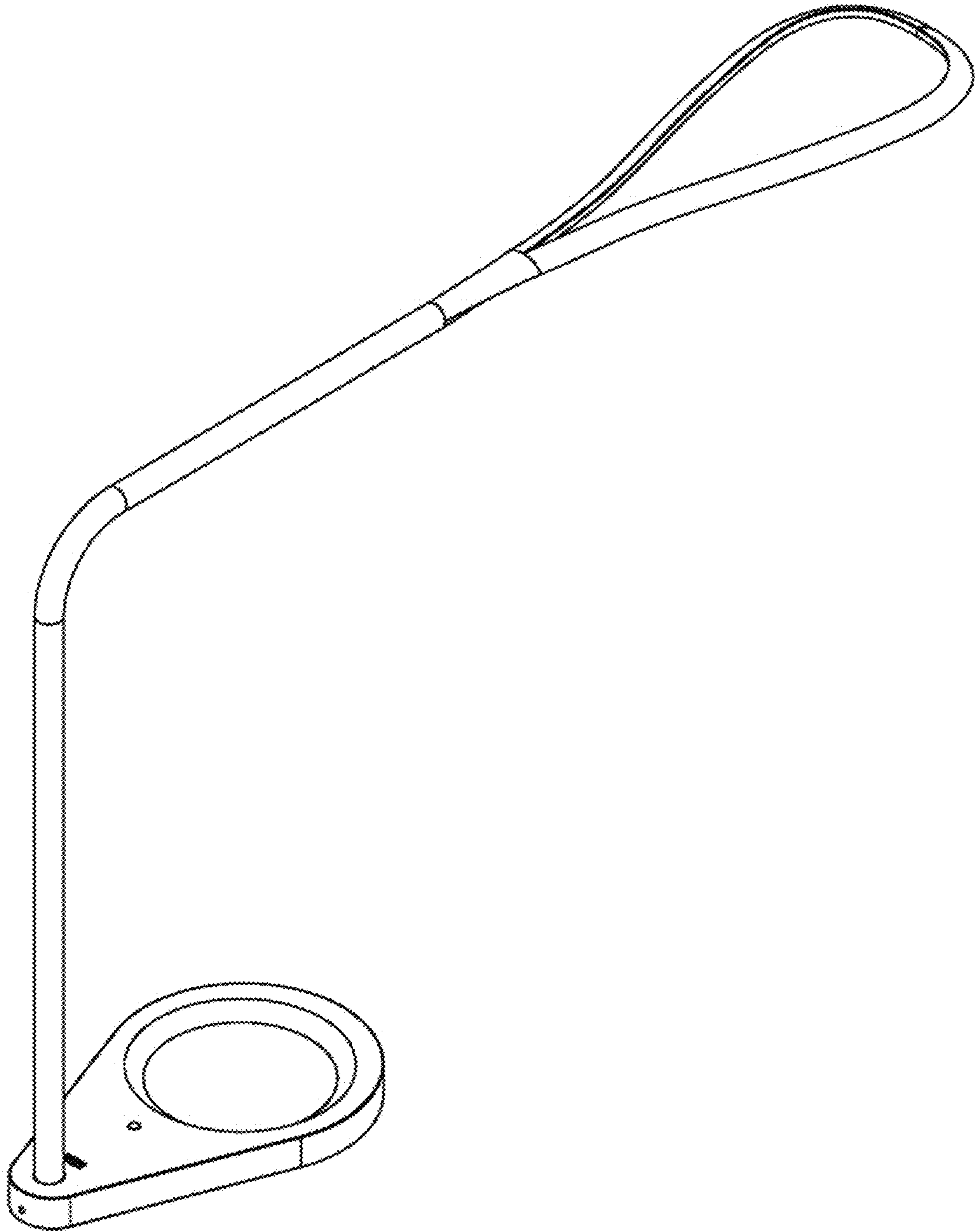
The drawings include CAD lines that represent contour and not surface decoration.

**1 Claim, 7 Drawing Sheets**

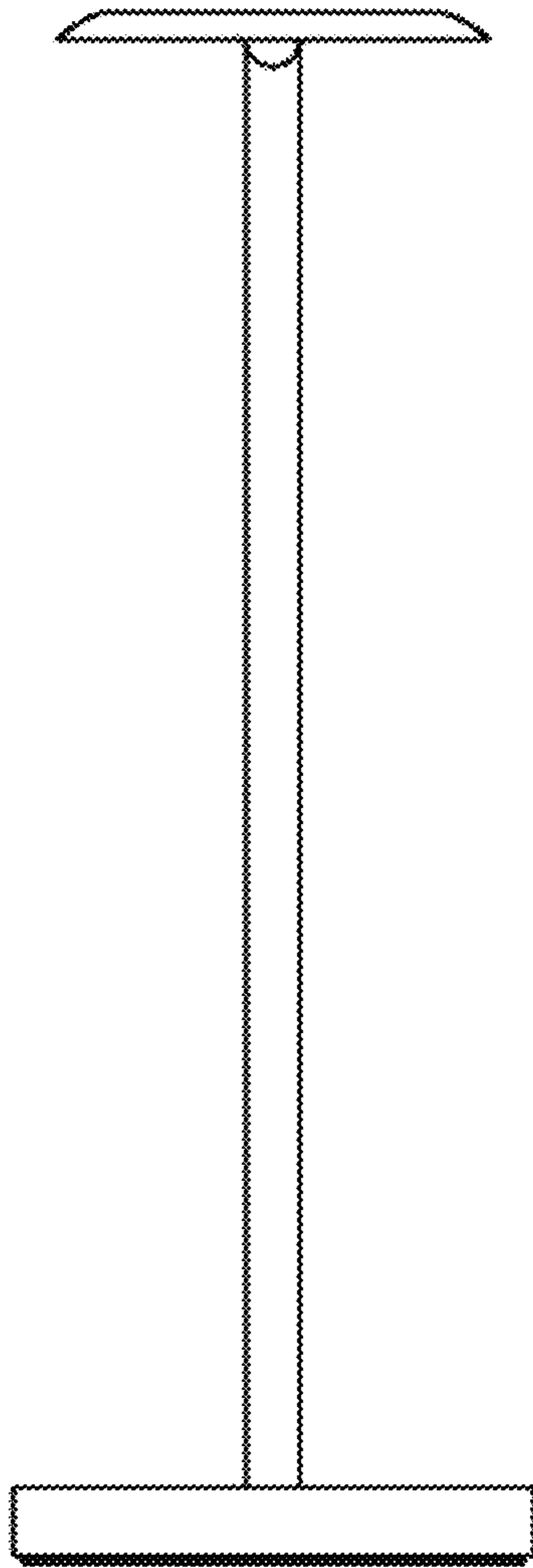




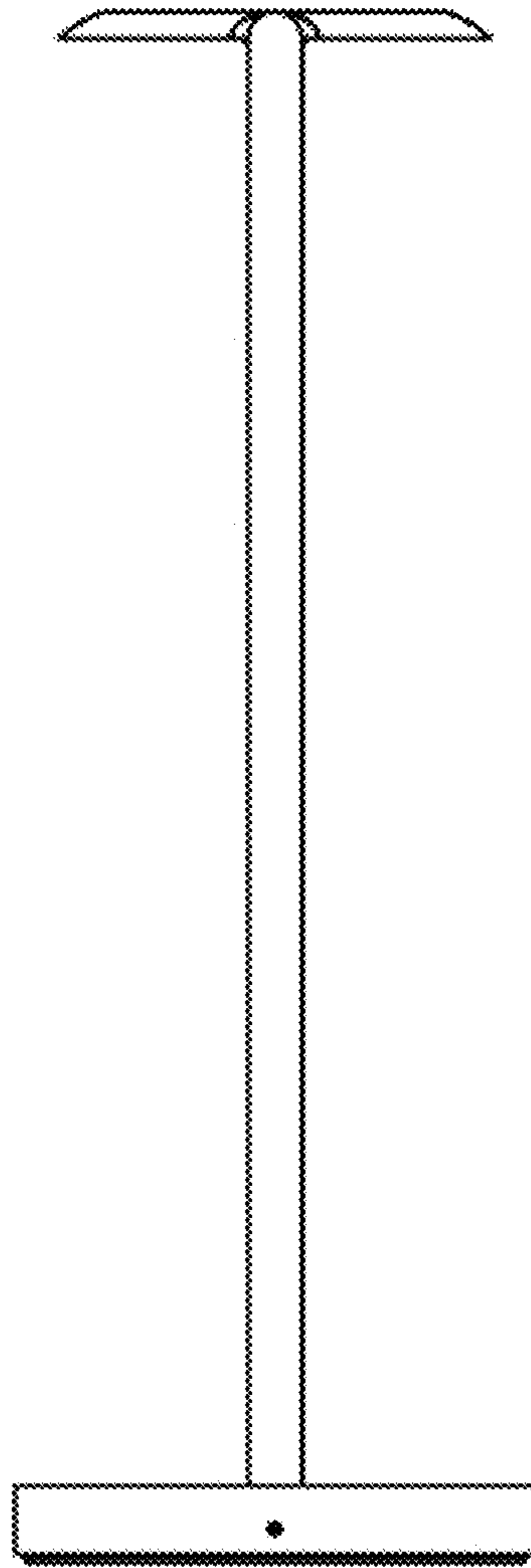
**FIG. 1**



**FIG. 2**



**FIG. 3**



**FIG. 4**

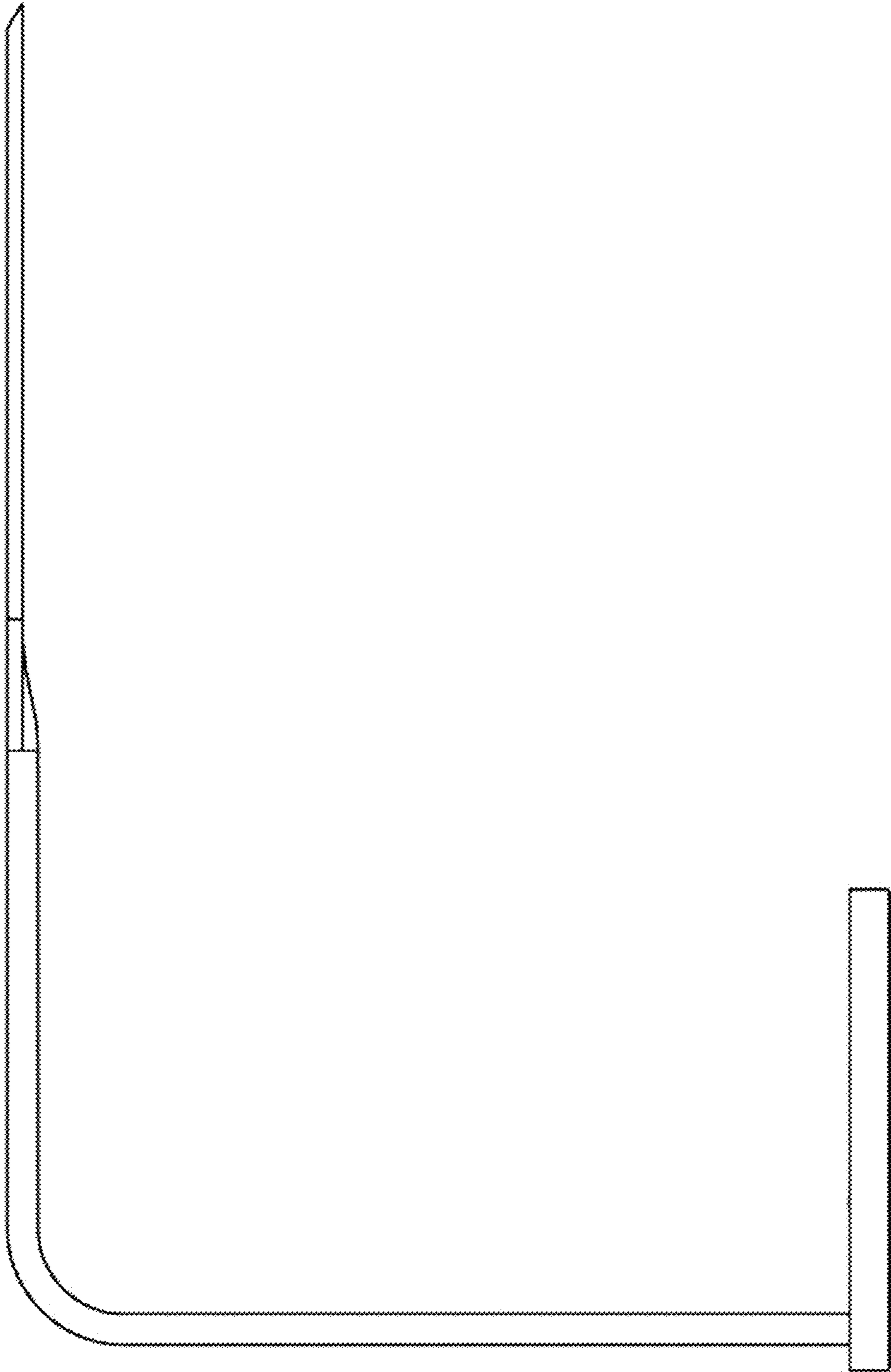
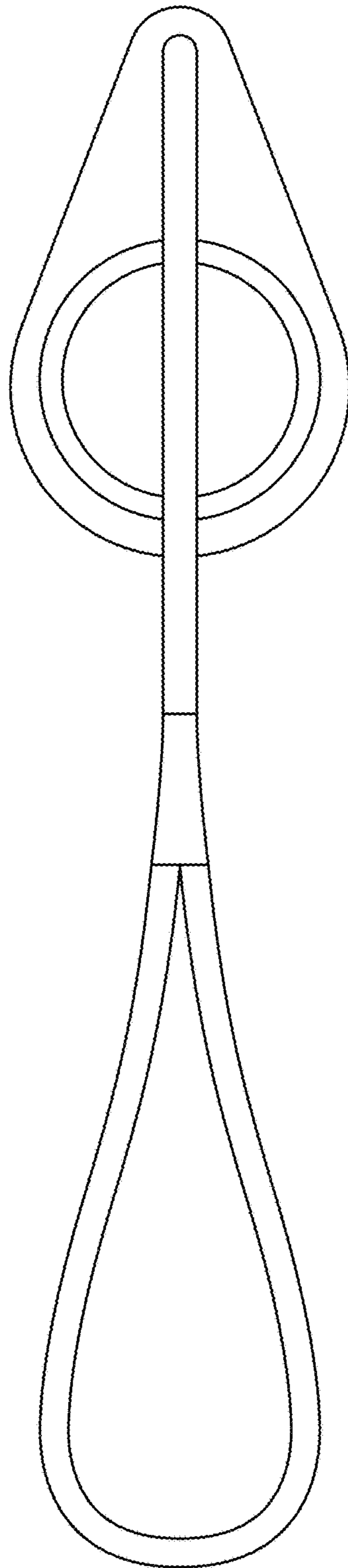
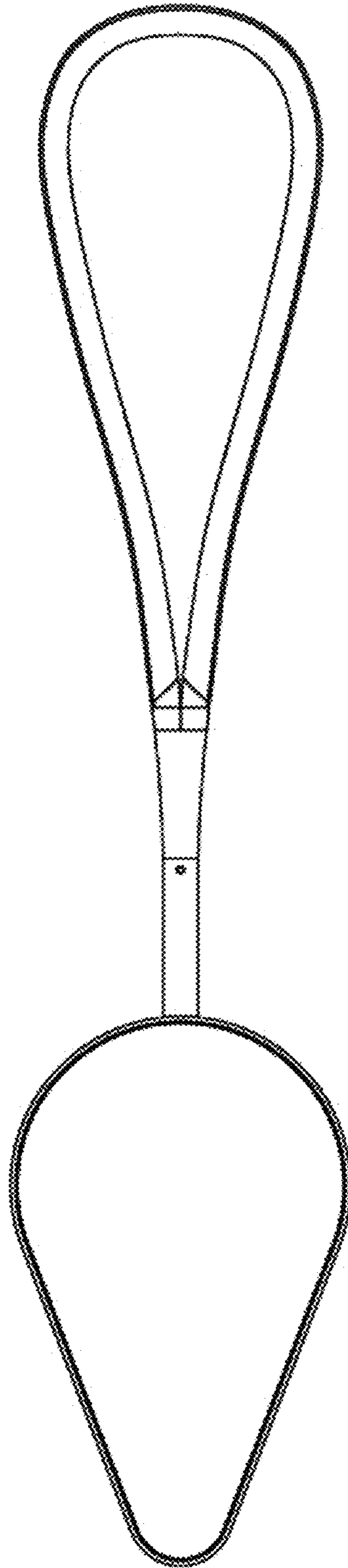


FIG. 5



**FIG. 6**



**FIG. 7**